

US00D962195S

(12) **United States Design Patent**
Liang

(10) **Patent No.:** **US D962,195 S**

(45) **Date of Patent:** **** Aug. 30, 2022**

(54) **EARPHONES**

(71) Applicant: **Xiaochun Liang**, Shenzhen (CN)

(72) Inventor: **Xiaochun Liang**, Shenzhen (CN)

(**) Term: **15 Years**

(21) Appl. No.: **29/808,942**

(22) Filed: **Sep. 24, 2021**

(30) **Foreign Application Priority Data**

Sep. 19, 2021 (CN) 202130624289.5

(51) **LOC (13) Cl.** **14-01**

(52) **U.S. Cl.**
USPC **D14/206**

(58) **Field of Classification Search**
USPC D14/206, 226, 225, 205; D24/174;
128/864-866; 381/380-381, 374
CPC H04R 25/00; H04R 25/02; H04R 1/10;
H04R 1/1066; H04R 5/033; H04R
5/0335; H04R 19/04; H04R 11/04; H04R
1/1083; H04R 1/1091
See application file for complete search history.

(56) **References Cited**

U.S. PATENT DOCUMENTS

D510,082 S *	9/2005	Olson	D14/206
D521,492 S *	5/2006	Ham	D14/205
D537,815 S *	3/2007	Bentley	D14/206
D539,266 S *	3/2007	Bentley	D14/205
D584,719 S *	1/2009	Brennwald	D14/223
D603,372 S *	11/2009	Bentley	D14/206
D612,834 S *	3/2010	Yang	D14/206
D612,835 S *	3/2010	Yang	D14/206
D647,877 S *	11/2011	Son	D14/206
D657,347 S *	4/2012	Chung	D14/206
D670,267 S *	11/2012	Maddern	D14/206
D681,002 S *	4/2013	Ham	D14/205

D681,003 S *	4/2013	Ham	D14/206
D681,004 S *	4/2013	Kelley	D14/206
D726,147 S *	4/2015	Tran	D14/206
D750,043 S *	2/2016	Birger	D14/206
9,307,311 B2 *	4/2016	Tran	H04R 1/1066
D784,290 S *	4/2017	Paterson	D14/223
D784,291 S *	4/2017	Paterson	D14/206
D789,331 S *	6/2017	Paterson	D14/225
D797,076 S *	9/2017	Zhang	D14/206
D804,035 S *	11/2017	Gabathuler	D24/174
D812,040 S *	3/2018	Yan	D14/206
D813,849 S *	3/2018	Andréen	D14/223

(Continued)

FOREIGN PATENT DOCUMENTS

CN	306730286	*	8/2021
CN	306928350	*	11/2021

(Continued)

Primary Examiner — Paula Allen Greene

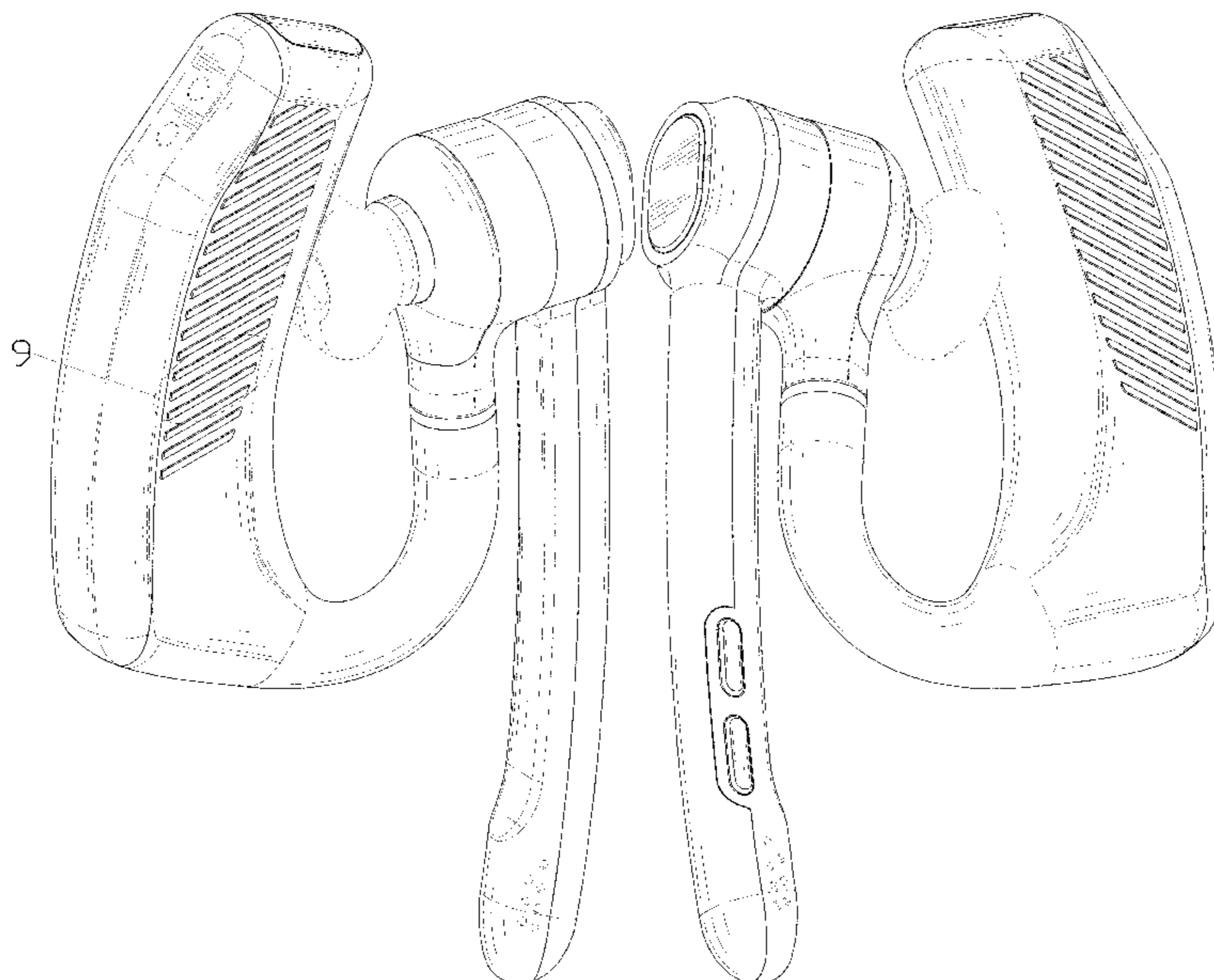
(57) **CLAIM**

The ornamental design for earphones, as shown and described.

DESCRIPTION

FIG. 1 is a perspective view of earphones showing my new design;
 FIG. 2 is another perspective view thereof;
 FIG. 3 is a front elevational view thereof;
 FIG. 4 is a rear elevational view thereof;
 FIG. 5 is a left side elevational view thereof;
 FIG. 6 is a right side elevational view thereof;
 FIG. 7 is a top plan view thereof;
 FIG. 8 is a bottom plan view thereof; and,
 FIG. 9 is an enlarged view of the earphones shown within the area designated as 9 in FIG. 1.
 The dot-dashed broken line in FIG. 9 shows the boundary of the enlarged view and forms no part of the claimed design.

1 Claim, 9 Drawing Sheets



(56)

References Cited

U.S. PATENT DOCUMENTS

D814,444 S * 4/2018 Liu D14/223
 D828,327 S * 9/2018 Birger D14/206
 D830,337 S * 10/2018 Yan D14/206
 D830,338 S * 10/2018 Yan D14/206
 D830,339 S * 10/2018 Yan D14/206
 D836,599 S * 12/2018 Duan D14/206
 D838,688 S * 1/2019 Liu D14/206
 D850,408 S * 6/2019 Kawabata D14/206
 D851,065 S * 6/2019 Yan D14/206
 D855,036 S * 7/2019 Yan D14/206
 D863,254 S * 10/2019 Hu D14/206
 D872,707 S * 1/2020 Liu D14/206
 D879,068 S * 3/2020 Yan D14/206
 D883,951 S * 5/2020 Yan D14/206
 D890,137 S 7/2020 Ma
 D894,875 S 9/2020 Zhao
 D900,784 S * 11/2020 Yan D14/206
 D903,634 S * 12/2020 Lu D14/206

D903,635 S * 12/2020 Liu D14/206
 D915,347 S * 4/2021 Duan D14/206
 D916,049 S * 4/2021 Xu D14/206
 D924,201 S * 7/2021 Yan D14/206
 D926,152 S * 7/2021 Yan D14/206
 D944,228 S * 2/2022 Lu D14/206
 D947,812 S * 4/2022 Dai D14/206
 2015/0237434 A1* 8/2015 Tran H04R 1/1016
 381/380
 2016/0181718 A1* 6/2016 Kann H01R 13/447
 439/142
 2017/0339498 A1* 11/2017 Vandyke H04R 1/083
 2018/0343525 A1* 11/2018 Karlsen H04R 25/02
 2021/0337318 A1* 10/2021 Jarng H04R 25/505

FOREIGN PATENT DOCUMENTS

CN 307325997 * 5/2022
 CN 307396031 * 6/2022
 EM 008506489-0001 * 4/2021

* cited by examiner

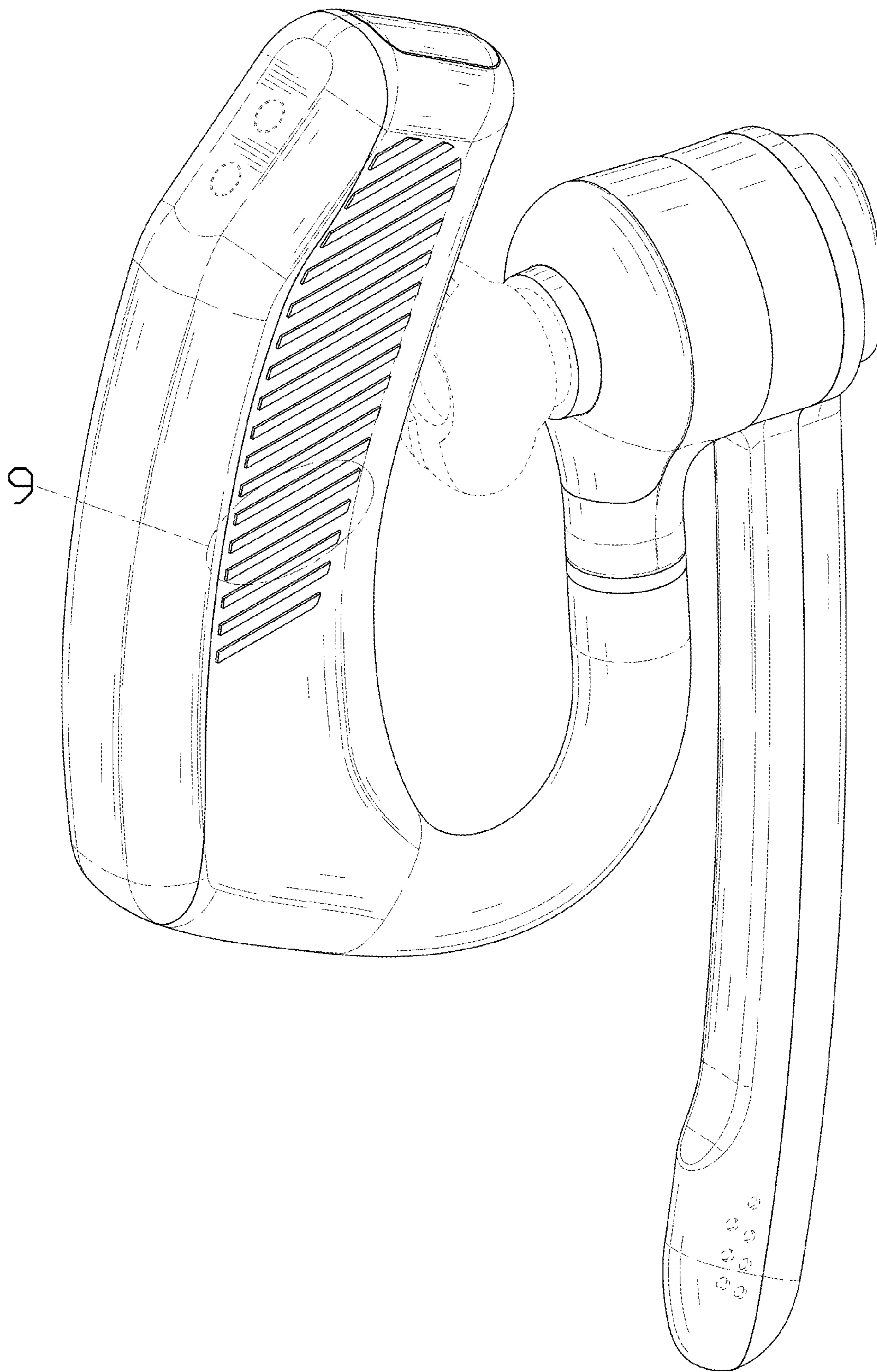


FIG. 1

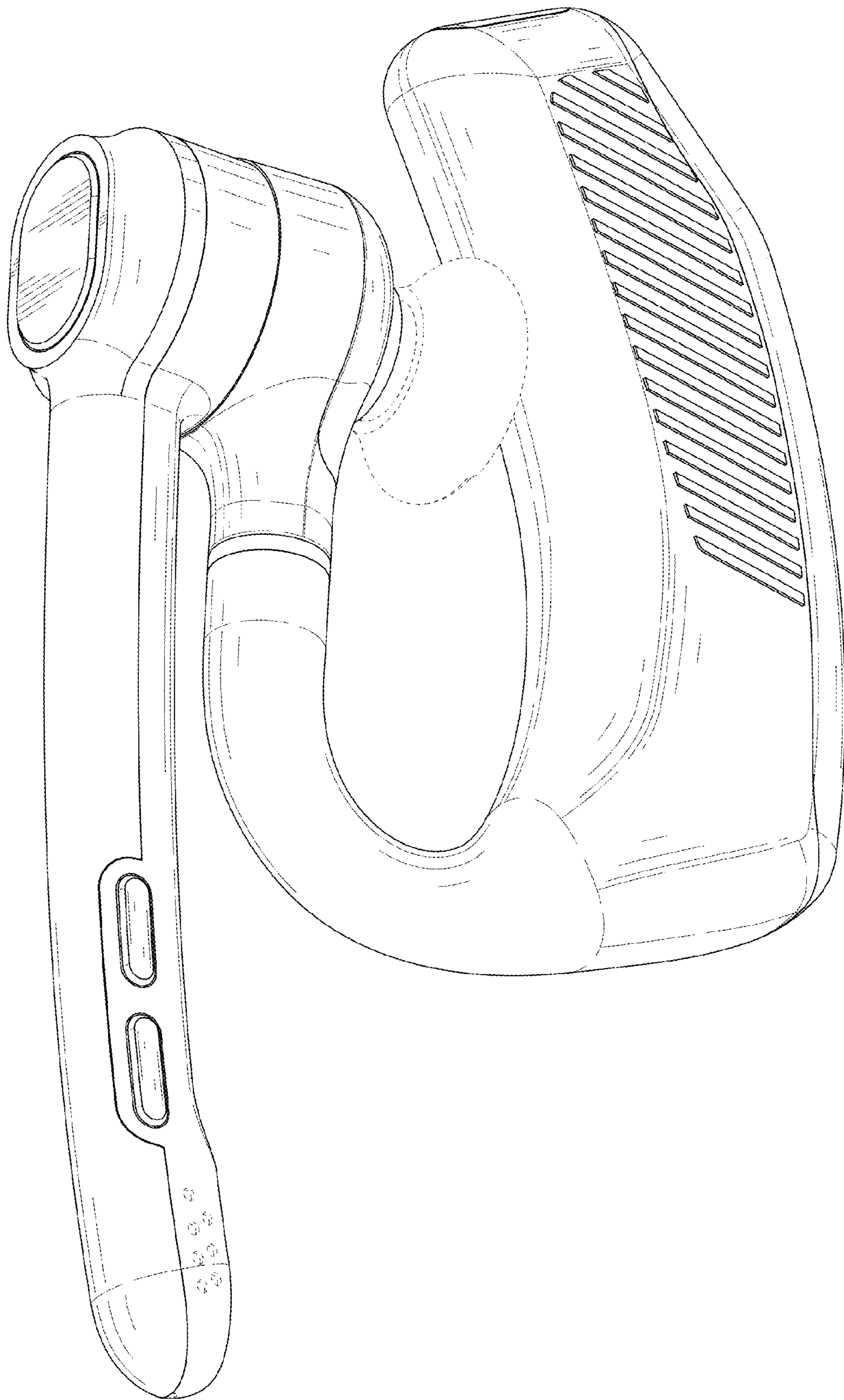


FIG. 2

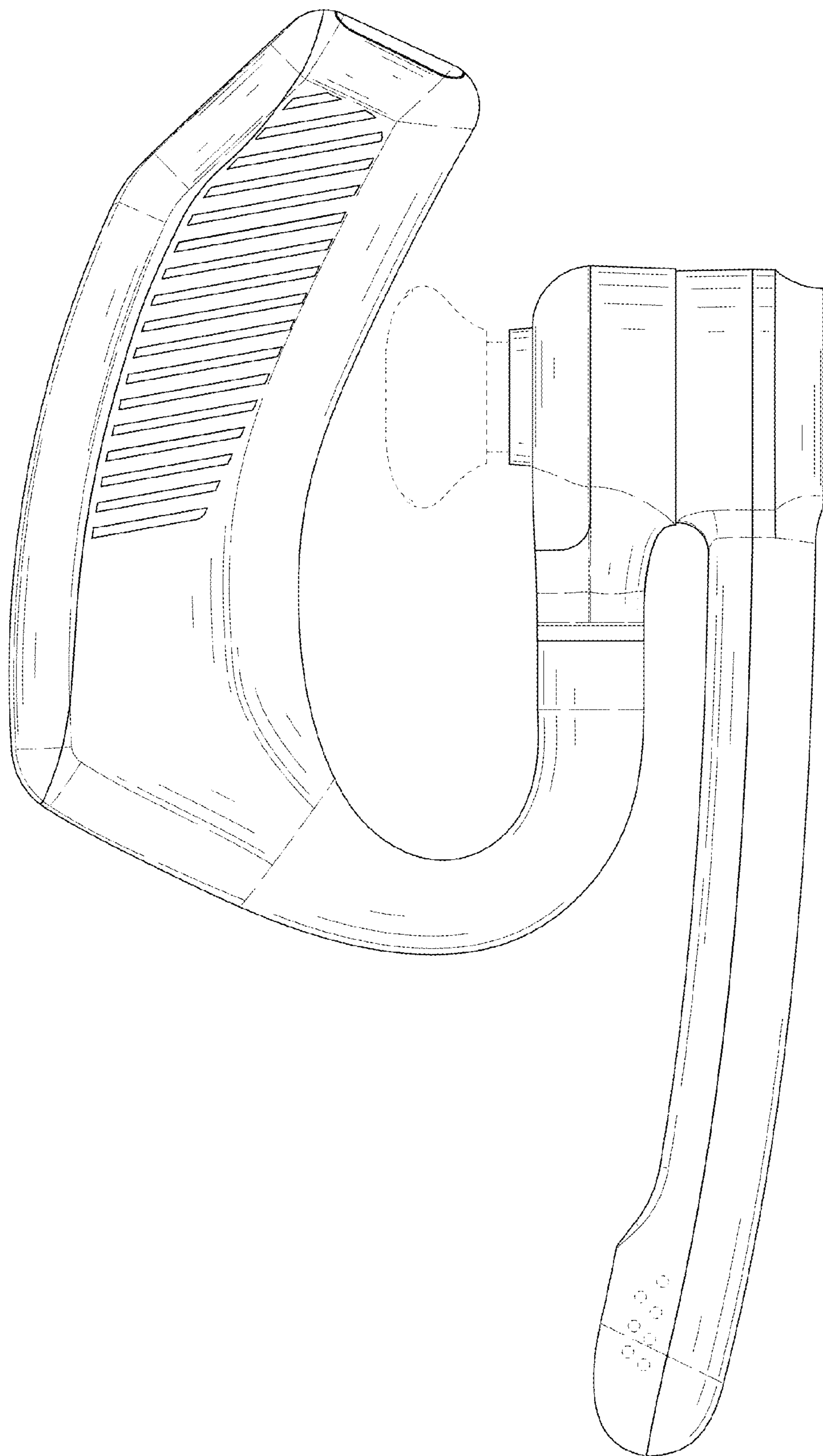


FIG. 3

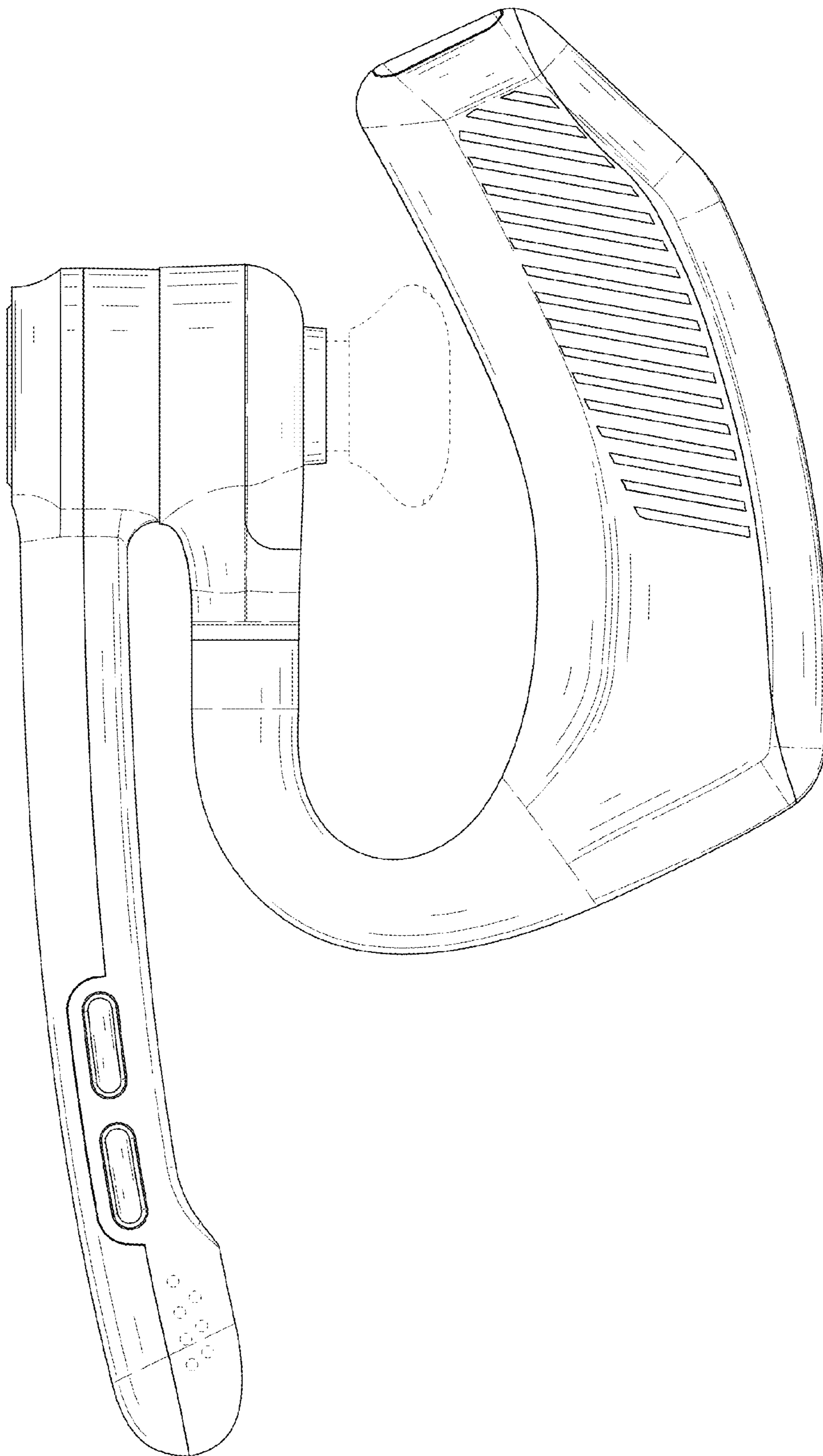


FIG. 4

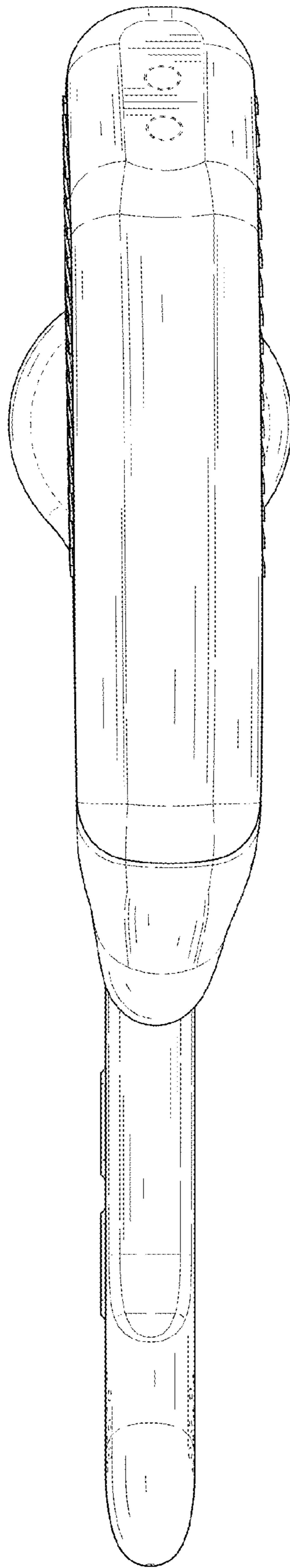


FIG. 5

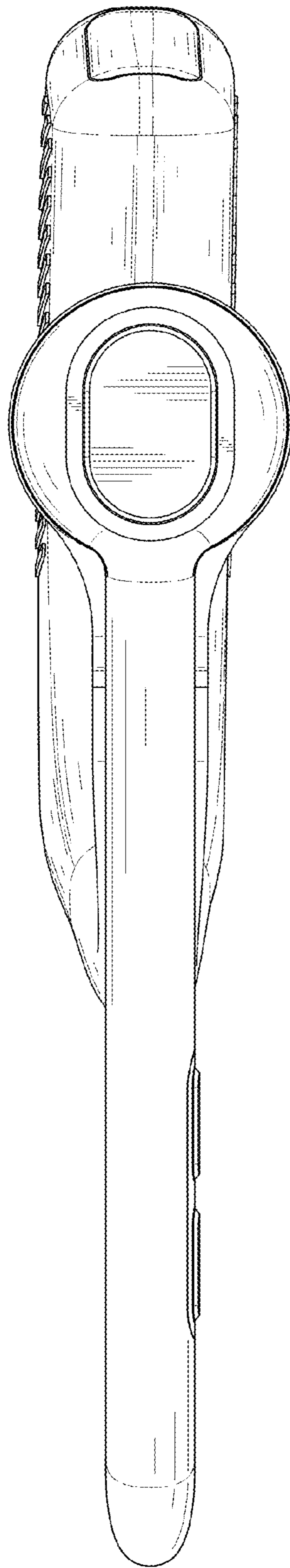


FIG. 6

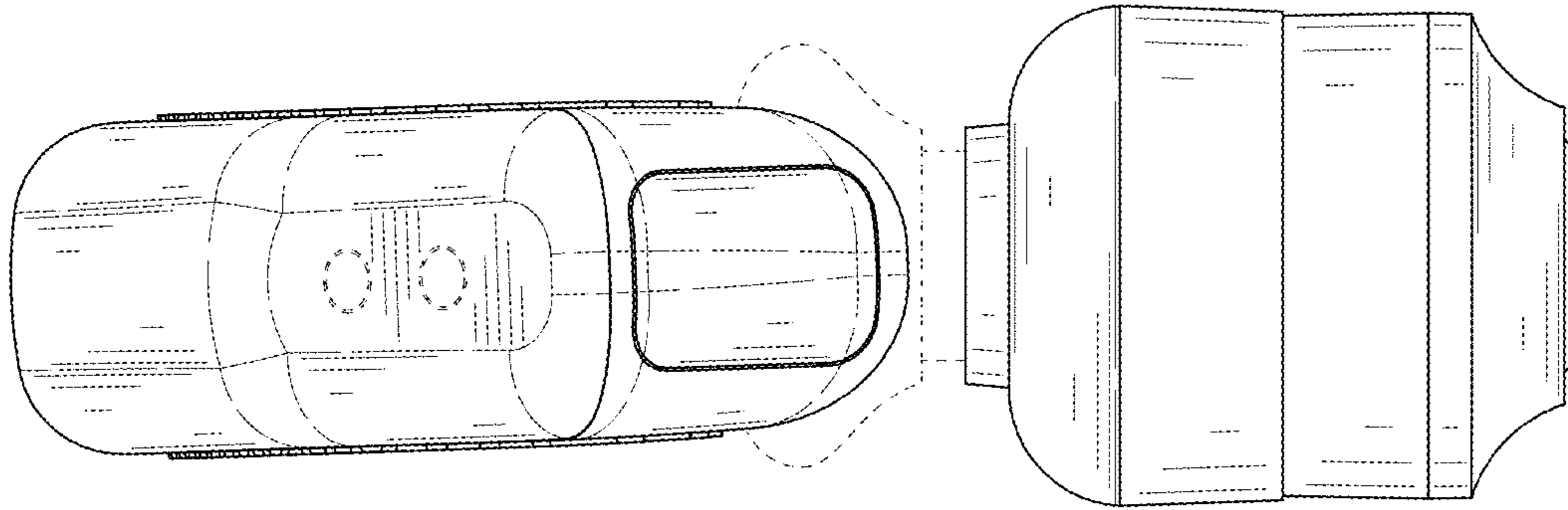


FIG. 7

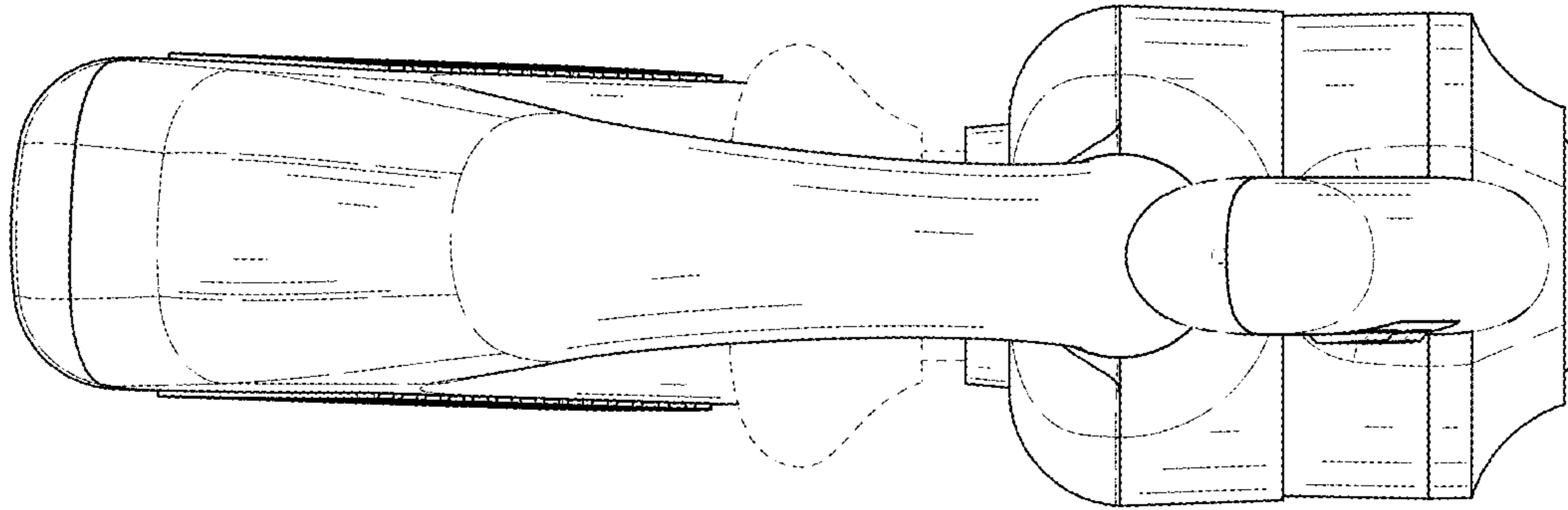


FIG. 8

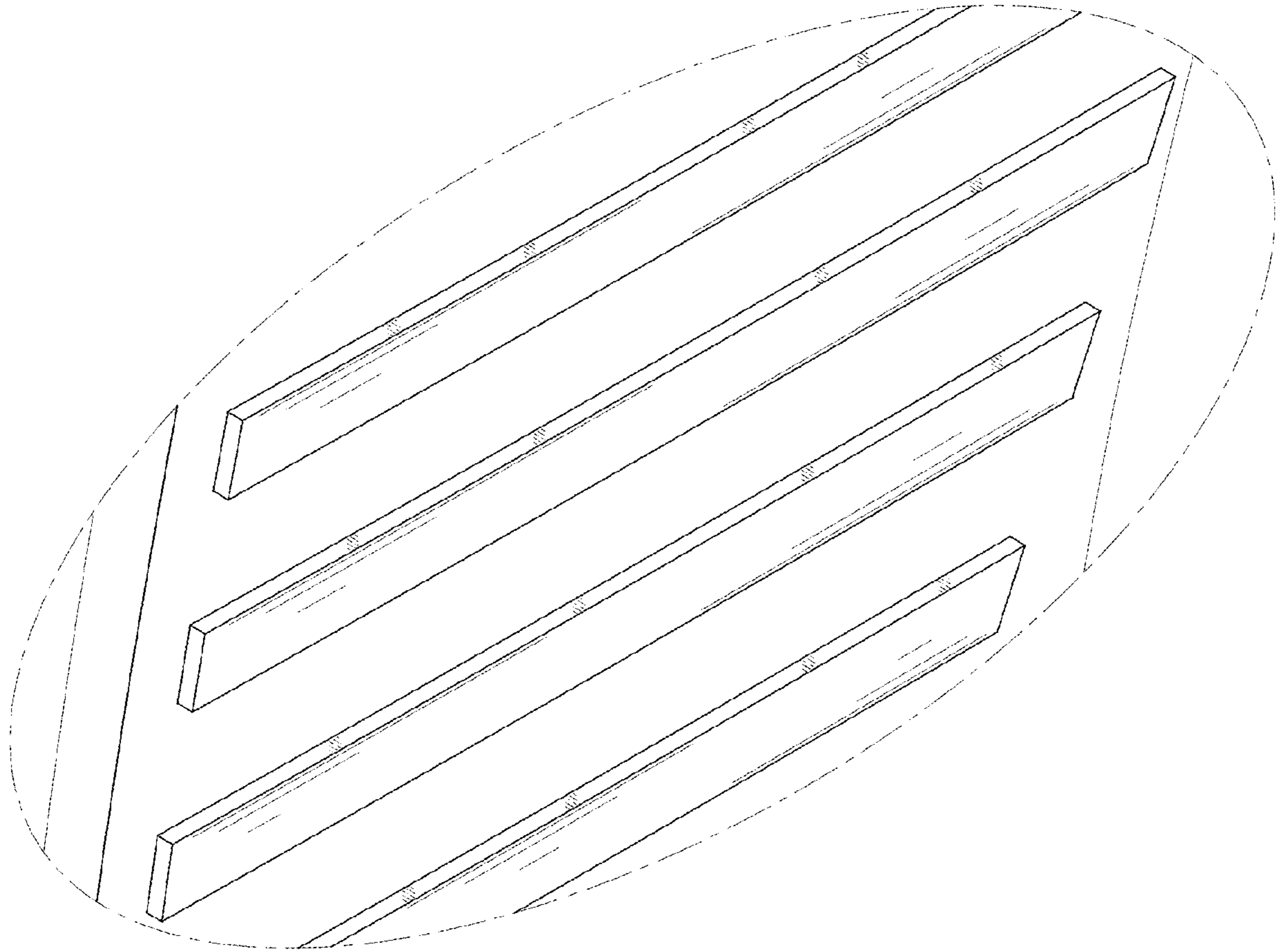


FIG. 9