

US00D962193S

(12) **United States Design Patent**  
**Feng et al.**

(10) **Patent No.:** **US D962,193 S**  
(45) **Date of Patent:** **\*\* Aug. 30, 2022**

(54) **EARPHONE**

FOREIGN PATENT DOCUMENTS

(71) Applicant: **DONGGUAN LUXSHARE  
PRECISION INDUSTRY CO. LTD.**,  
Dongguan (CN)

CN 304129961 \* 5/2017  
EM 007810056-0008 \* 4/2020

(Continued)

(72) Inventors: **Yun Feng**, Dongguan (CN); **Guoqin  
Huang**, Dongguan (CN); **Yong Huang**,  
Dongguan (CN)

*Primary Examiner* — Paula Allen Greene

(74) *Attorney, Agent, or Firm* — Birch, Stewart, Kolasch  
& Birch, LLP

(73) Assignee: **DONGGUAN LUXSHARE  
PRECISION INDUSTRY CO. LTD.**,  
Dongguan (CN)

(57) **CLAIM**

The ornamental design for an earphone, as shown and  
described.

(\*\*) Term: **15 Years**

(21) Appl. No.: **29/767,054**

**DESCRIPTION**

(22) Filed: **Jan. 20, 2021**

(30) **Foreign Application Priority Data**

Nov. 23, 2020 (CN) ..... 202030711725.8

(51) **LOC (13) Cl.** ..... **14-01**

(52) **U.S. Cl.**  
USPC ..... **D14/205**

(58) **Field of Classification Search**  
USPC ..... D14/205, 223, 433; D24/174; 128/865,  
128/866; 381/380, 381, 374, 322, 328;  
D13/147

CPC ..... H04R 1/10; H04R 1/1033; H04R 1/105;  
H04R 1/1066; H04R 1/1016; H04R  
5/033; H04R 5/0335; H04R 1/1091

See application file for complete search history.

FIG. 1 is a perspective view of an earphone showing my new  
design;  
FIG. 2 is a front view thereof;  
FIG. 3 is a rear view thereof;  
FIG. 4 is a left view thereof;  
FIG. 5 is a right view thereof;  
FIG. 6 is an enlarged top view thereof;  
FIG. 7 is an enlarged bottom view thereof;  
FIG. 8 is an enlarged view of the selected portion 8 in FIG.  
1;  
FIG. 9 is an enlarged view of the selected portion 9 in FIG.  
2;  
FIG. 10 is an enlarged view of the selected portion 10 in  
FIG. 3;  
FIG. 11 is an enlarged view of the selected portion 11 in FIG.  
4; and,  
FIG. 12 is an enlarged view of the selected portion 12 in  
FIG. 5.

The cord is shown with a symbolic break in its length. The  
appearance of any portion of the article between the break  
lines form no part of the claimed design.

The broken lines on the earphone represent the bounds of the  
claimed design that form no part of the claimed design.

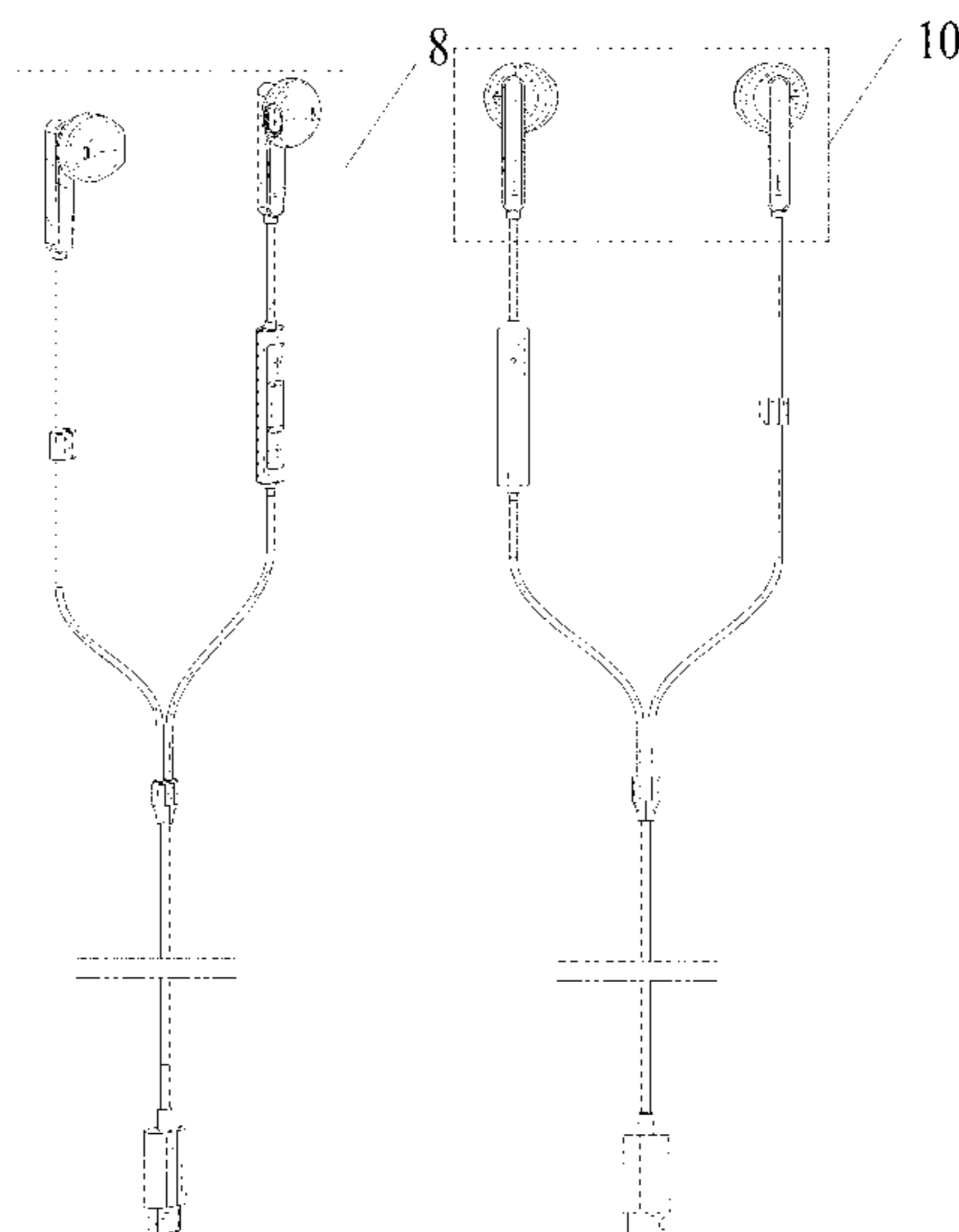
(56) **References Cited**

U.S. PATENT DOCUMENTS

6,975,644 B2 \* 12/2005 Tordera ..... H04W 88/02  
455/575.1  
D558,735 S \* 1/2008 Carr ..... D14/206  
D578,508 S \* 10/2008 Wang ..... D14/206

(Continued)

**1 Claim, 10 Drawing Sheets**



(56)

References Cited

U.S. PATENT DOCUMENTS

D582,389 S \* 12/2008 Bose ..... D14/206  
 D607,875 S \* 1/2010 Pedersen, II ..... H04R 1/1033  
 D624,058 S \* 9/2010 Kolton ..... D14/225  
 8,314,354 B2 \* 11/2012 Prest ..... H01H 13/76  
 8,456,864 B2 \* 6/2013 Stiehl ..... H04R 1/083  
 D685,750 S \* 7/2013 Nakagawa ..... D13/168  
 D692,408 S \* 10/2013 Dugger ..... D14/205  
 D698,750 S \* 2/2014 Yoon ..... D14/206  
 8,655,006 B2 \* 2/2014 Aase ..... B29C 39/42  
 8,743,533 B2 \* 6/2014 Stanley ..... H05K 5/023  
 D718,273 S \* 11/2014 Harata ..... D14/218  
 8,908,899 B1 \* 12/2014 Yang ..... H04R 1/1033  
 D726,145 S \* 4/2015 Hsieh ..... D14/205  
 D728,528 S \* 5/2015 Akana ..... D14/218  
 9,031,264 B2 \* 5/2015 Yang ..... H04R 1/1033  
 9,241,209 B2 \* 1/2016 Toelle ..... H04R 1/1016  
 D758,353 S \* 6/2016 Akana ..... D14/218  
 D772,040 S \* 11/2016 Grant ..... D8/367  
 D777,138 S \* 1/2017 Fletcher ..... D14/205  
 D777,139 S \* 1/2017 Fletcher ..... D14/205  
 D782,997 S \* 4/2017 Shin ..... D14/205  
 D811,363 S \* 2/2018 He ..... D14/205  
 9,913,019 B1 \* 3/2018 Supper ..... H04B 3/20  
 D815,600 S \* 4/2018 Matsuoka ..... D13/147  
 D816,059 S \* 4/2018 Liu ..... D14/205  
 D820,810 S \* 6/2018 Levine ..... D14/205  
 D821,999 S \* 7/2018 Guo ..... D14/205  
 D830,336 S \* 10/2018 Cai ..... D14/205

D854,020 S \* 7/2019 Liao ..... D14/433  
 D862,421 S \* 10/2019 Arimoto ..... D14/218  
 D864,963 S \* 10/2019 Luo ..... D13/153  
 10,499,133 B1 \* 12/2019 Chan ..... H02J 7/00  
 D888,009 S \* 6/2020 Ying ..... D14/205  
 D899,439 S \* 10/2020 Connolly ..... D14/485  
 D900,065 S \* 10/2020 Distefano ..... D14/223  
 D912,675 S \* 3/2021 Kim ..... D13/153  
 D918,178 S \* 5/2021 Chen ..... D14/223  
 D918,179 S \* 5/2021 Zhao ..... D14/223  
 D944,210 S \* 2/2022 Millward ..... D13/147  
 2010/0027831 A1 \* 2/2010 Lee ..... H04R 1/1033  
 2010/0104126 A1 \* 4/2010 Greene ..... H04R 1/1033  
 2010/0177924 A1 \* 7/2010 Xu ..... H04R 1/1033  
 2011/0044487 A1 \* 2/2011 Nault ..... H04R 1/1033  
 2016/0142808 A1 \* 5/2016 Monahan ..... H04R 1/1033  
 2016/0149338 A1 \* 5/2016 Xing ..... B29C 70/84  
 2016/0172804 A1 \* 6/2016 Wu ..... H01R 24/60  
 2020/0029149 A1 \* 1/2020 Nielsen ..... H02J 7/0042  
 2021/0306729 A1 \* 9/2021 Lu ..... H04R 1/1075

FOREIGN PATENT DOCUMENTS

EM 008512743-0003 \* 4/2021  
 EM 008512743-0005 \* 4/2021  
 EM 008552137-0001 \* 5/2021  
 EM 008826853-0002 \* 1/2022  
 EM 008867725-0001 \* 2/2022  
 GB 6159445 \* 9/2021

\* cited by examiner

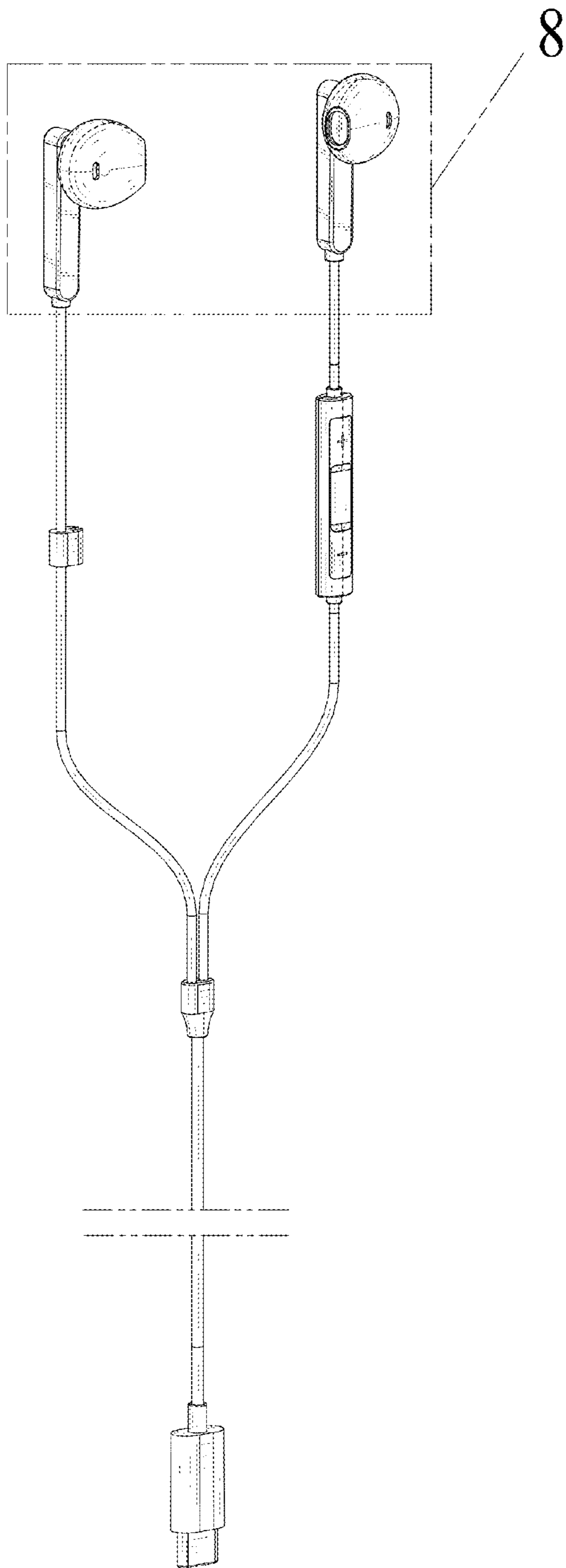


FIG.1

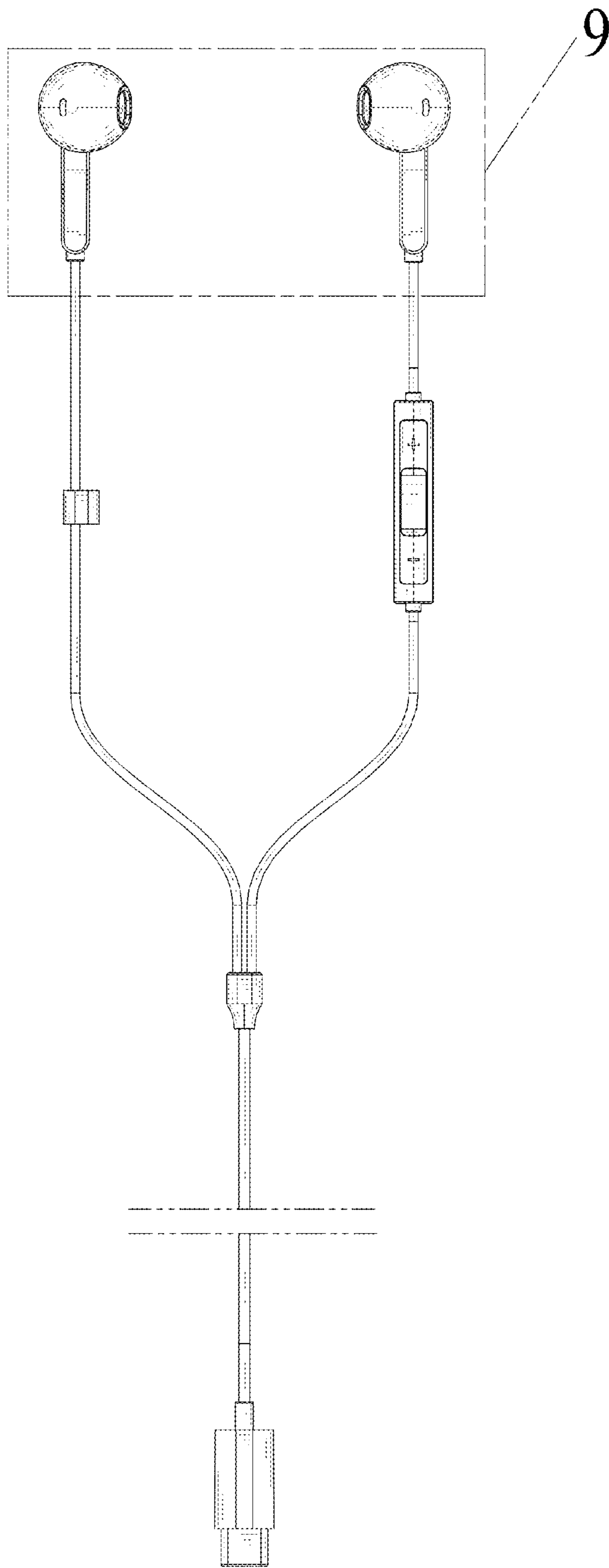


FIG.2

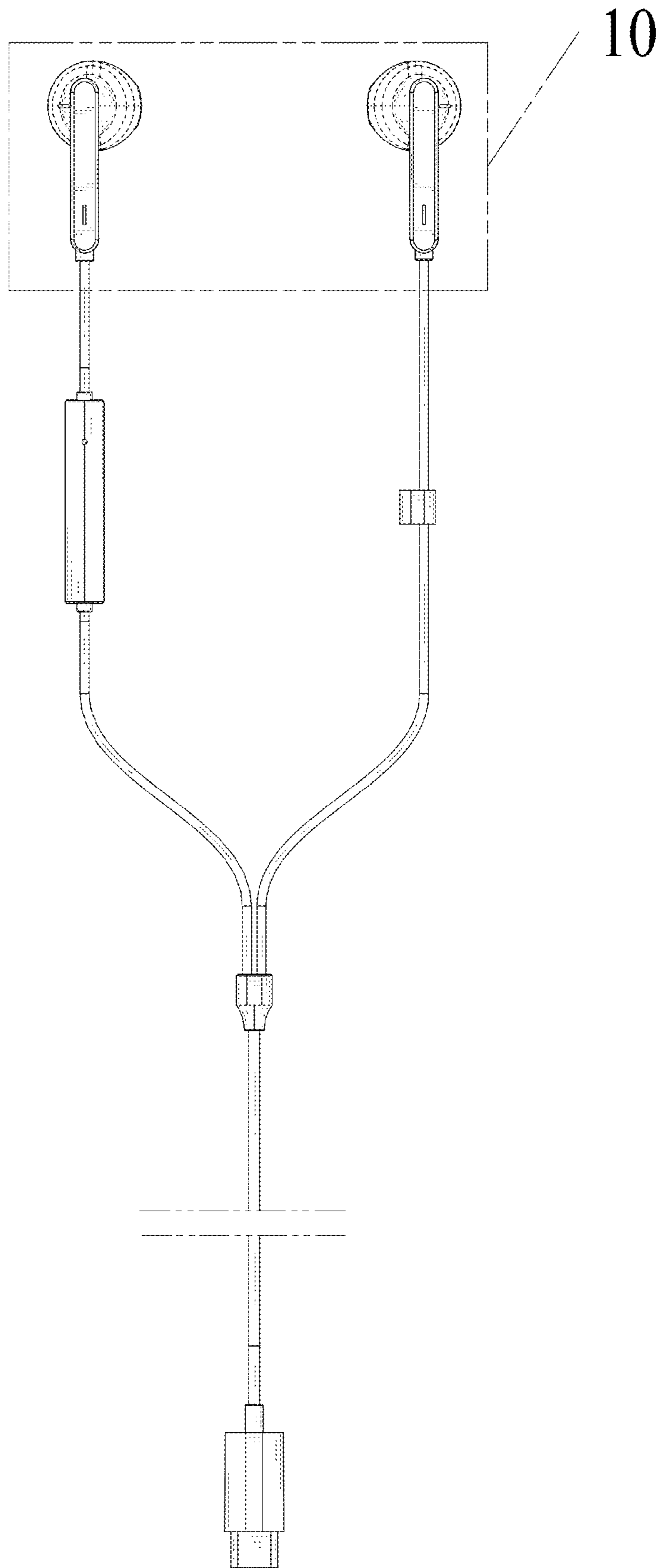


FIG.3

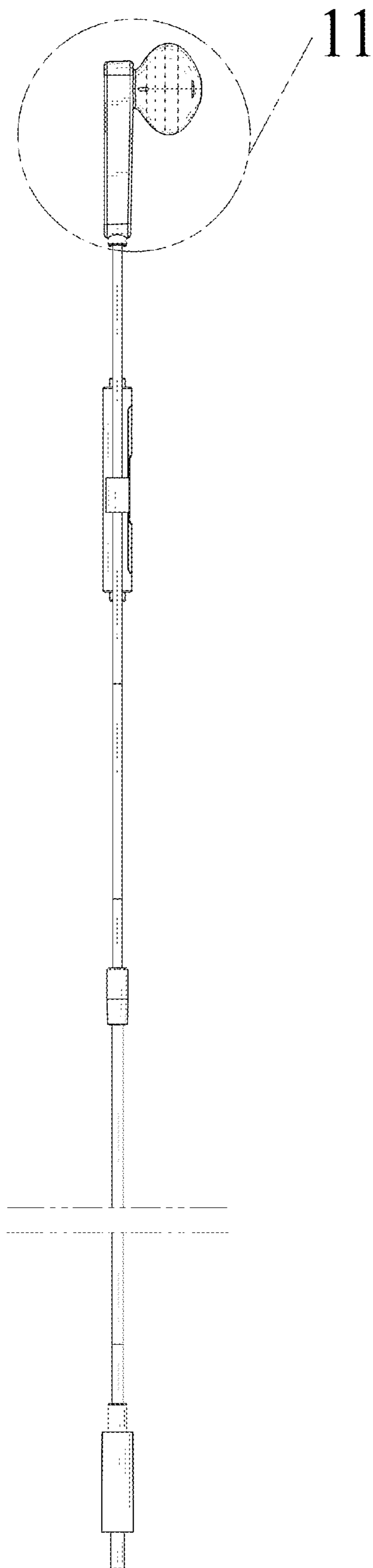


FIG.4

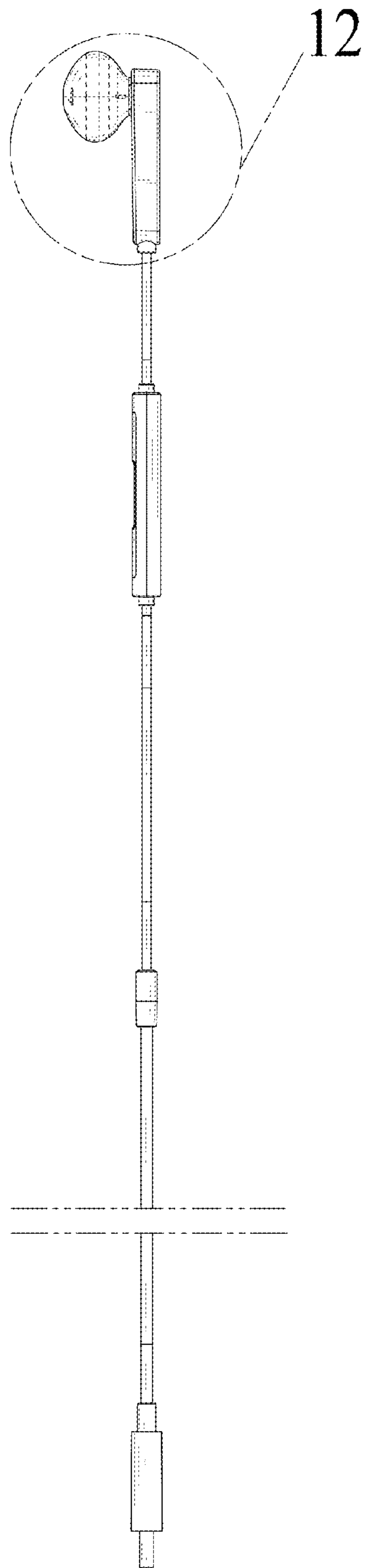


FIG.5

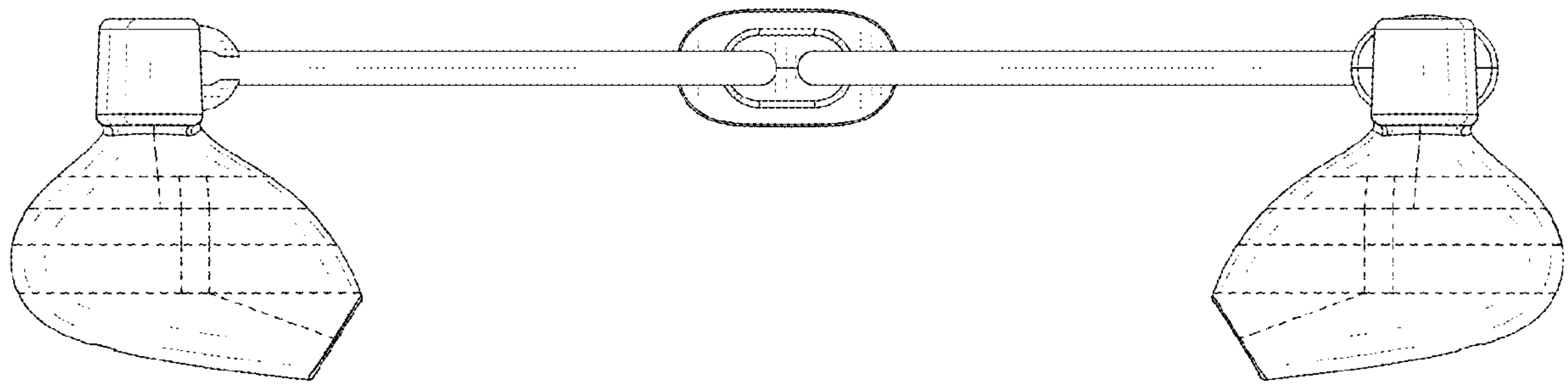


FIG. 6

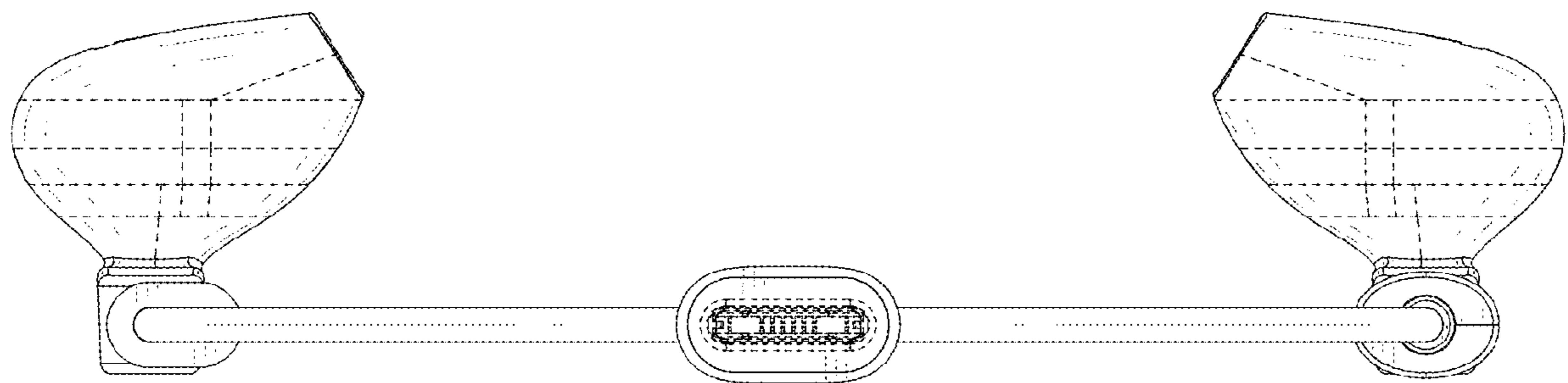


FIG. 7



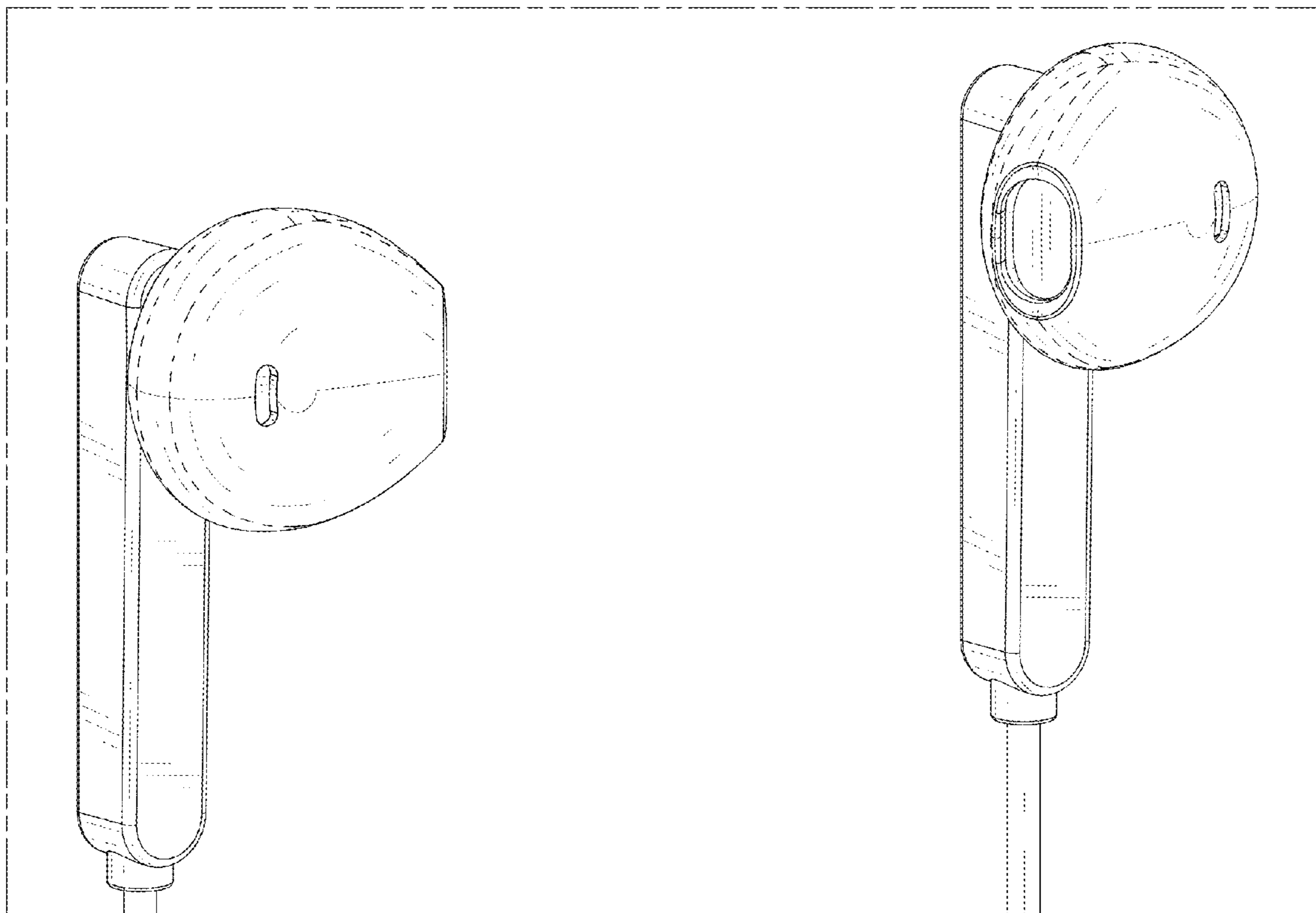


FIG.8

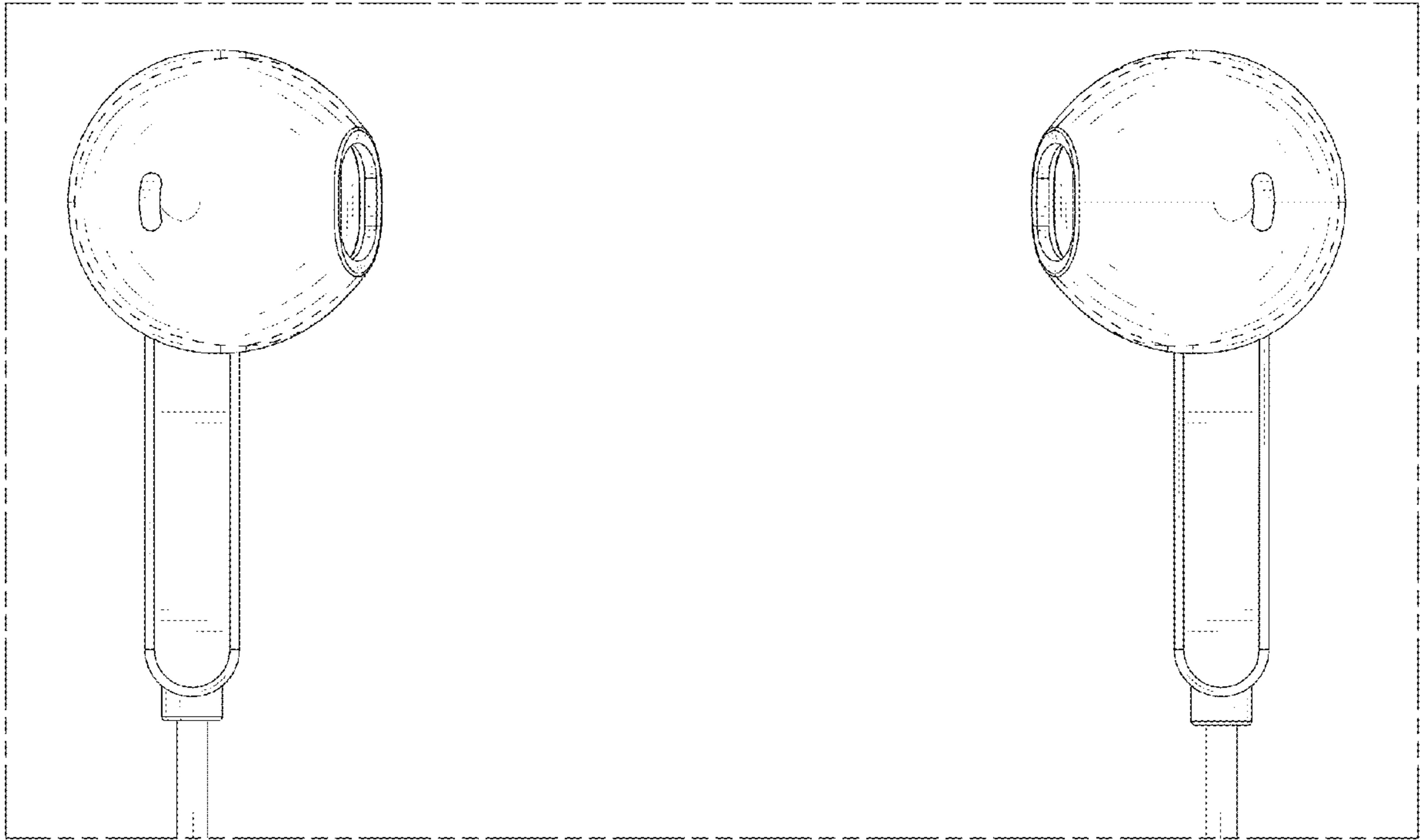


FIG.9

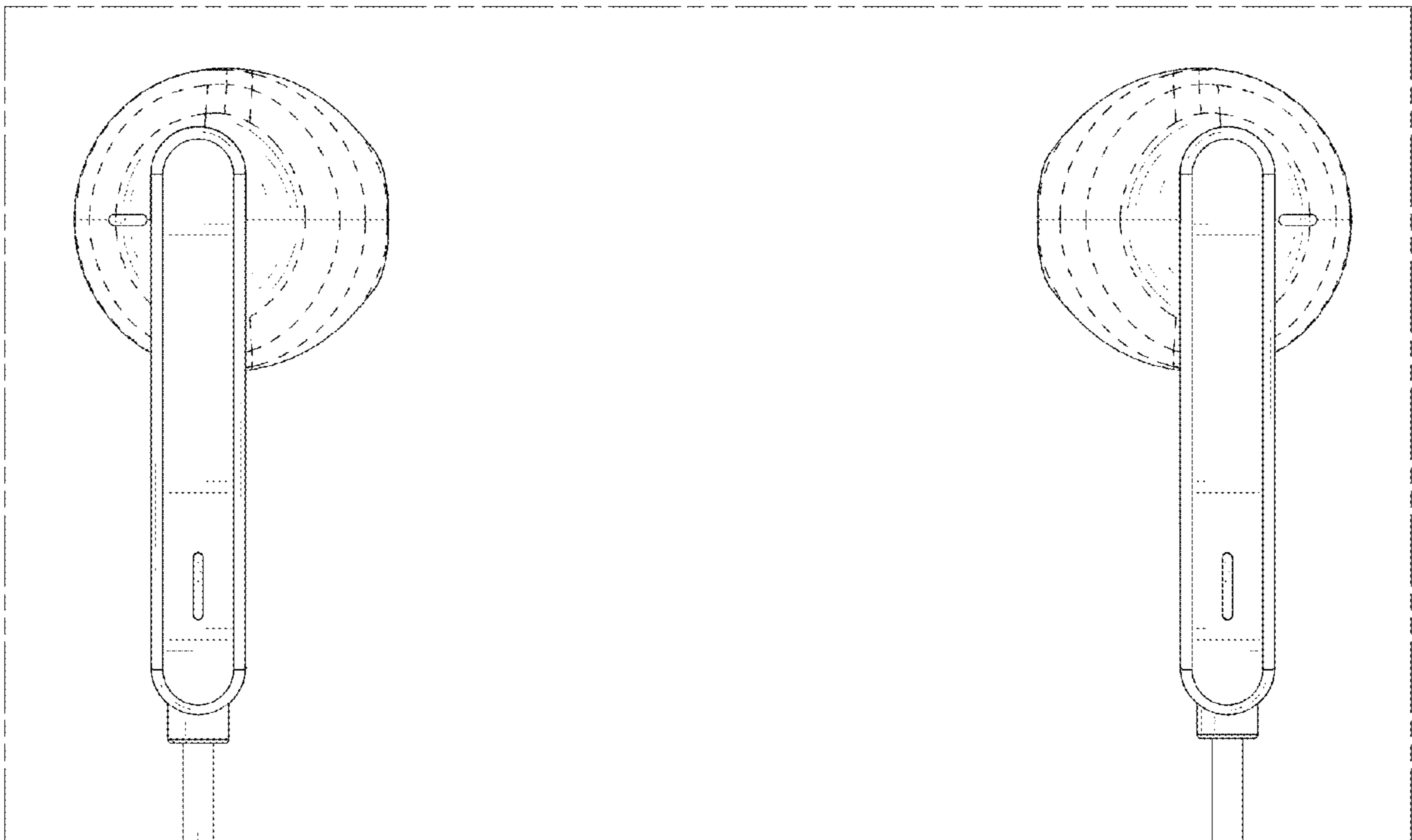


FIG.10

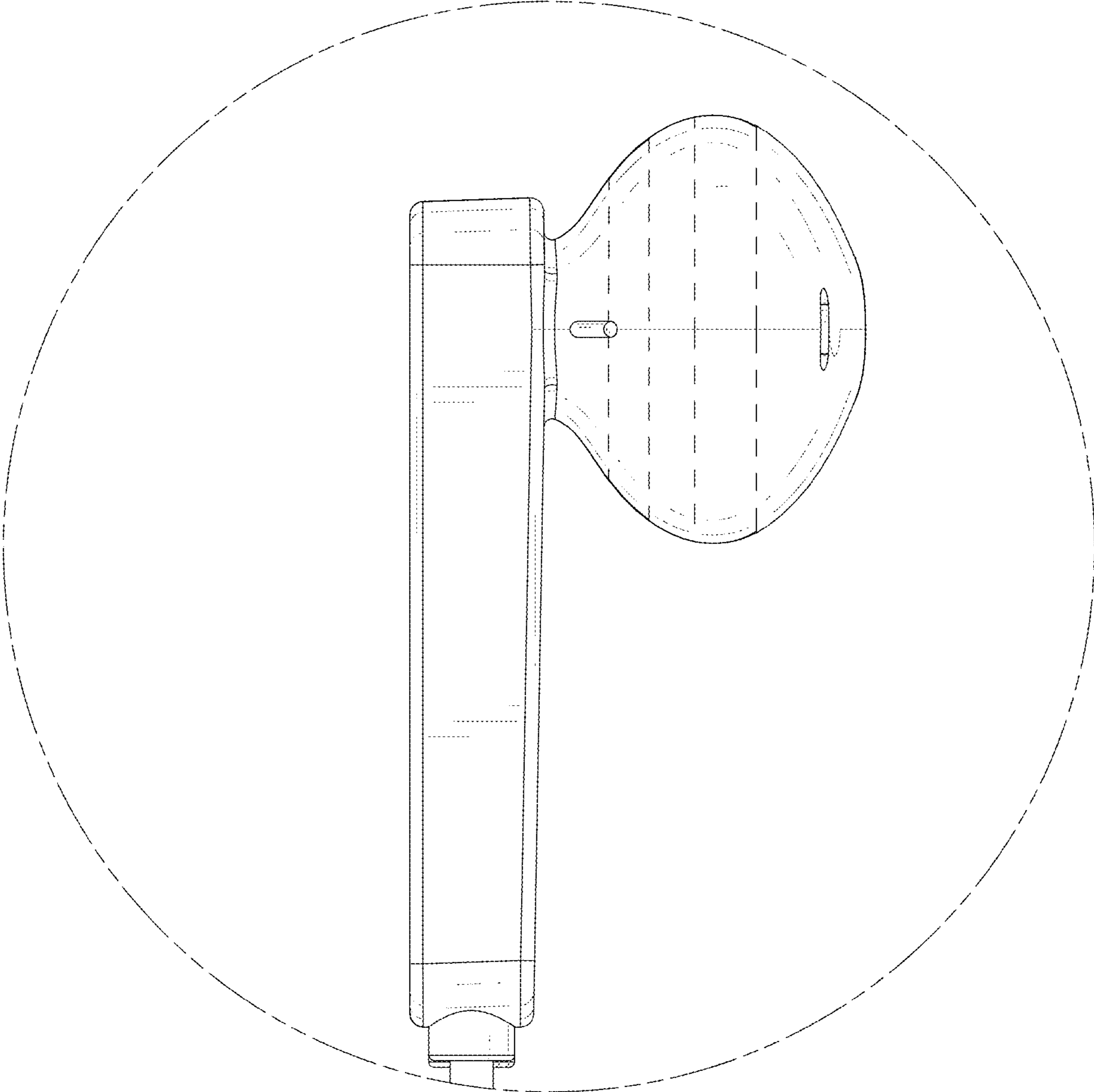


FIG.11

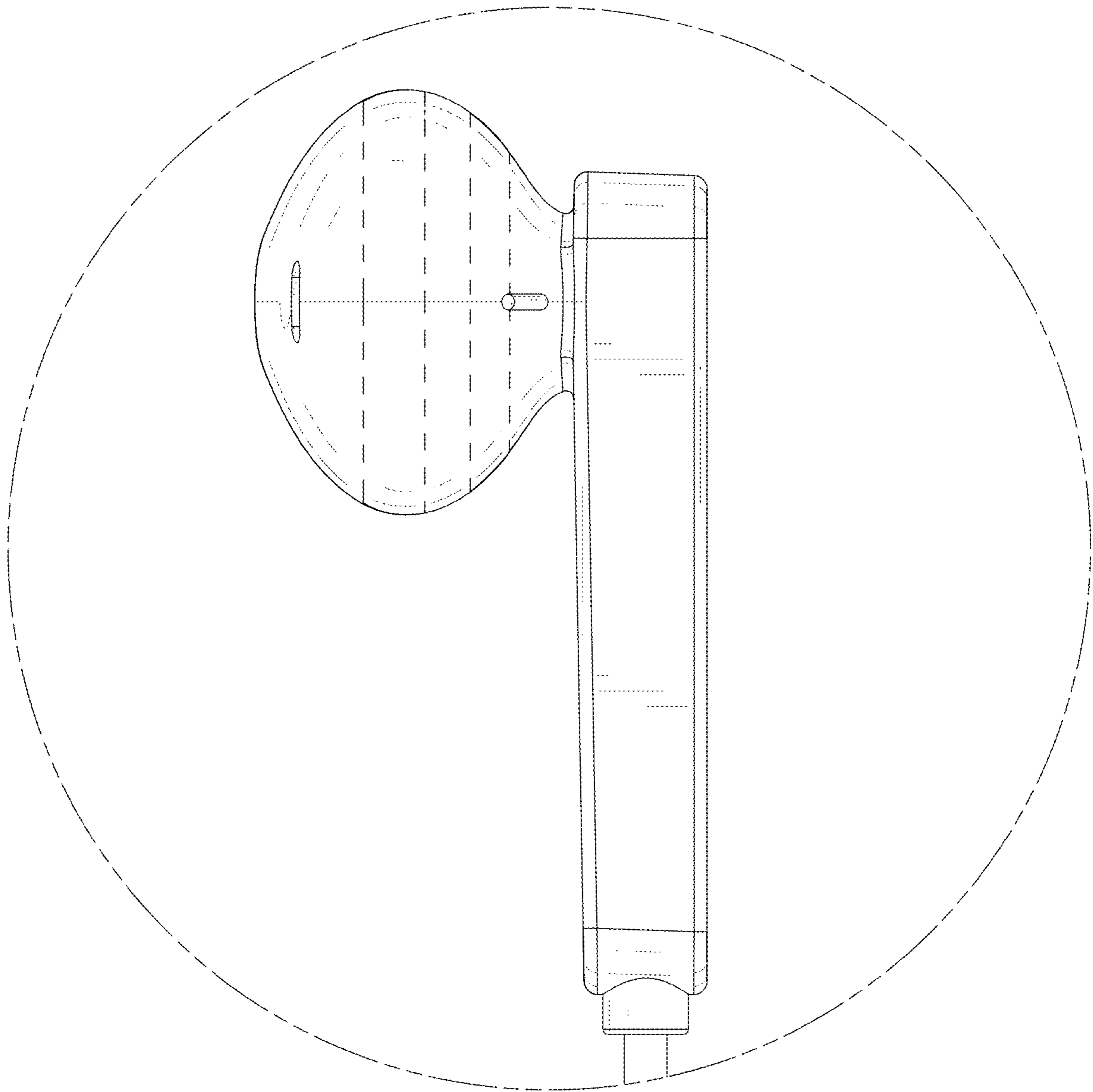


FIG.12