



US00D962192S

(12) **United States Design Patent** (10) **Patent No.:** **US D962,192 S**
D'Ascanio et al. (45) **Date of Patent:** **** Aug. 30, 2022**

(54) **WEDGE SPEAKER**

(71) Applicants: **Franco L D'Ascanio**, Key Colony Beach, FL (US); **Franco C D'Ascanio**, Key Colony Beach, FL (US); **Sean P Snowden**, Marathon, FL (US); **Harold Zimmermann**, Riverton, NJ (US); **Igor Levitsky**, Richmond Hill (CA)

(72) Inventors: **Franco L D'Ascanio**, Key Colony Beach, FL (US); **Franco C D'Ascanio**, Key Colony Beach, FL (US); **Sean P Snowden**, Marathon, FL (US); **Harold Zimmermann**, Riverton, NJ (US); **Igor Levitsky**, Richmond Hill (CA)

(**) Term: **15 Years**

(21) Appl. No.: **29/818,553**

(22) Filed: **Dec. 9, 2021**

(51) **LOC (13) Cl.** **14-01**

(52) **U.S. Cl.**
USPC **D14/204**

(58) **Field of Classification Search**
USPC D14/155-159, 160-173, 187-188, D14/189-198, 203.1-203.8, 204-216, D14/217-222, 225-229, 257-258, D14/400-416, 420, 426-431, 496, D14/900-902; D16/131-133, 135, D16/221-222, 227, 230-231, 234;
(Continued)

(56) **References Cited**

U.S. PATENT DOCUMENTS

2,643,727 A * 6/1953 Leon H04R 1/345
181/155
D547,746 S * 7/2007 Allen D14/215
(Continued)

FOREIGN PATENT DOCUMENTS

CN 306870719 * 10/2021
CN 306915079 * 11/2021

(Continued)

OTHER PUBLICATIONS

CJG Double Pack TWS Round Portable Bluetooth Speaker, date first available: Jun. 18, 2020, [retrieved Feb. 8, 2022], Retrieved from Internet, URL: <<https://www.amazon.com/Round-Portable-Bluetooth-Speakers-Lights/dp/B014OPS6SY>> (Year: 2020).*

(Continued)

Primary Examiner — Messina L Smith

Assistant Examiner — Aram Kwon

(74) *Attorney, Agent, or Firm* — Stuart M Goldstein

(57) **CLAIM**

The ornamental design for a wedge speaker, as shown and described.

DESCRIPTION

FIG. 1 is a top perspective view of a wedge speaker of the present invention.

FIG. 2 is another top perspective view of the wedge speaker with the front screen removed.

FIG. 3 is a right side elevation view of the wedge speaker.

FIG. 4 is a left side elevation view of the wedge speaker.

FIG. 5 is a front view of the wedge speaker.

FIG. 6 is a rear view of the wedge speaker.

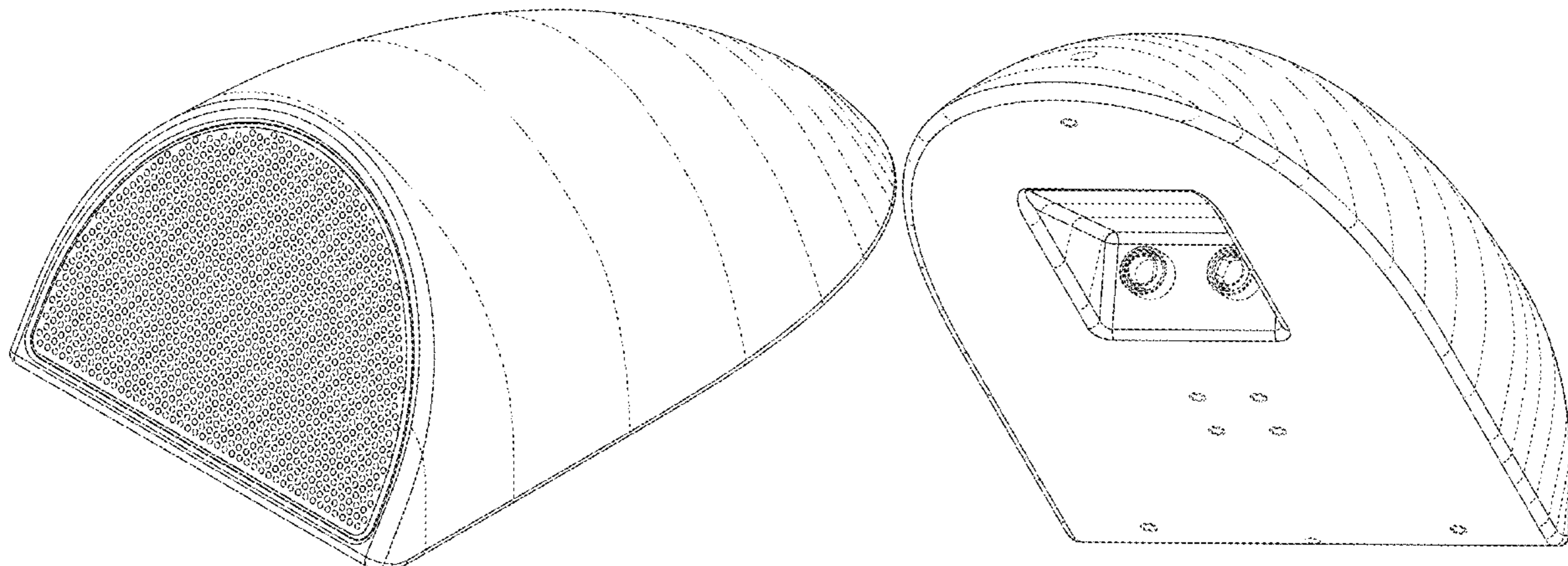
FIG. 7 is a bottom view of the wedge speaker.

FIG. 8 is a rear, bottom perspective view of the wedge speaker; and,

FIG. 9 is another bottom perspective view of the wedge speaker.

The broken lines in the figures illustrate portions of the wedge speaker that form no part of the claimed design.

1 Claim, 9 Drawing Sheets



(58) **Field of Classification Search**
 USPC D18/4.1-4.6; D21/324-332, 333, 403,
 D21/477, 512-513, 516, 566;
 D12/174-180
 CPC H04R 1/02; H04R 1/021; H04R 1/025;
 H04R 1/026; H04R 1/028; H04R 1/06;
 H04R 1/105; H04R 1/323; H04R 1/403;
 H04R 1/2803; H04R 1/2834
 See application file for complete search history.

CN	306972487	* 11/2021
CN	307002530	* 12/2021
JP	D1705365	* 1/2022

(56) **References Cited**

U.S. PATENT DOCUMENTS

D554,619 S	*	11/2007	Solland	D14/215
D636,372 S	*	4/2011	Leung	D14/168
D728,523 S	*	5/2015	Cho	D14/216
D735,162 S	*	7/2015	Allen	D14/216
D740,249 S	*	10/2015	Park	D14/188
D766,205 S	*	9/2016	Conti	D14/204
D803,812 S	*	11/2017	Liu	D14/215
D843,981 S	*	3/2019	Yang	D14/230

FOREIGN PATENT DOCUMENTS

CN	306949996	* 11/2021
CN	306964237	* 11/2021

OTHER PUBLICATIONS

Motorola Bluetooth Speaker, date first available: Oct. 7, 2021, [retrieved Feb. 8, 2022], Retrieved from Internet, URL: <https://www.amazon.com/dp/B09HYWC5TL/ref=sspa_dk_detail_6?psc=1&pf_rd_p=b9951ce4-3bd8-4b04-9123-0fda35d6155e&pd_rd_wg=M9DBv&pf%280%A6> (Year: 2021).*

Bowers & Wilkins Formation Wedge Review, Jun. 4, 2019, [retrieved Feb. 8, 2022], Retrieved from Internet, URL: <<https://www.pcmag.com/reviews/bowers-wilkins-formation-wedge>> (Year: 2019).*

CARME-U8MW, date not available, [retrieved Feb. 8, 2022], Retrieved from Internet, URL: <https://www.soundtown.com/products/carme-u8mw?variant=40234898751653¤cy=USD&utm_medium=product_sync&utm_source=google&utm%280%A6> (Year: 2022).*

For Those Who Think Outside of the Box, Jun. 12, 2008, [retrieved Feb. 8, 2022], Retrieved from Internet, URL: <<https://www.nytimes.com/2008/06/12/technology/personaltech/12speakers.html>> (Year: 2008).*

* cited by examiner

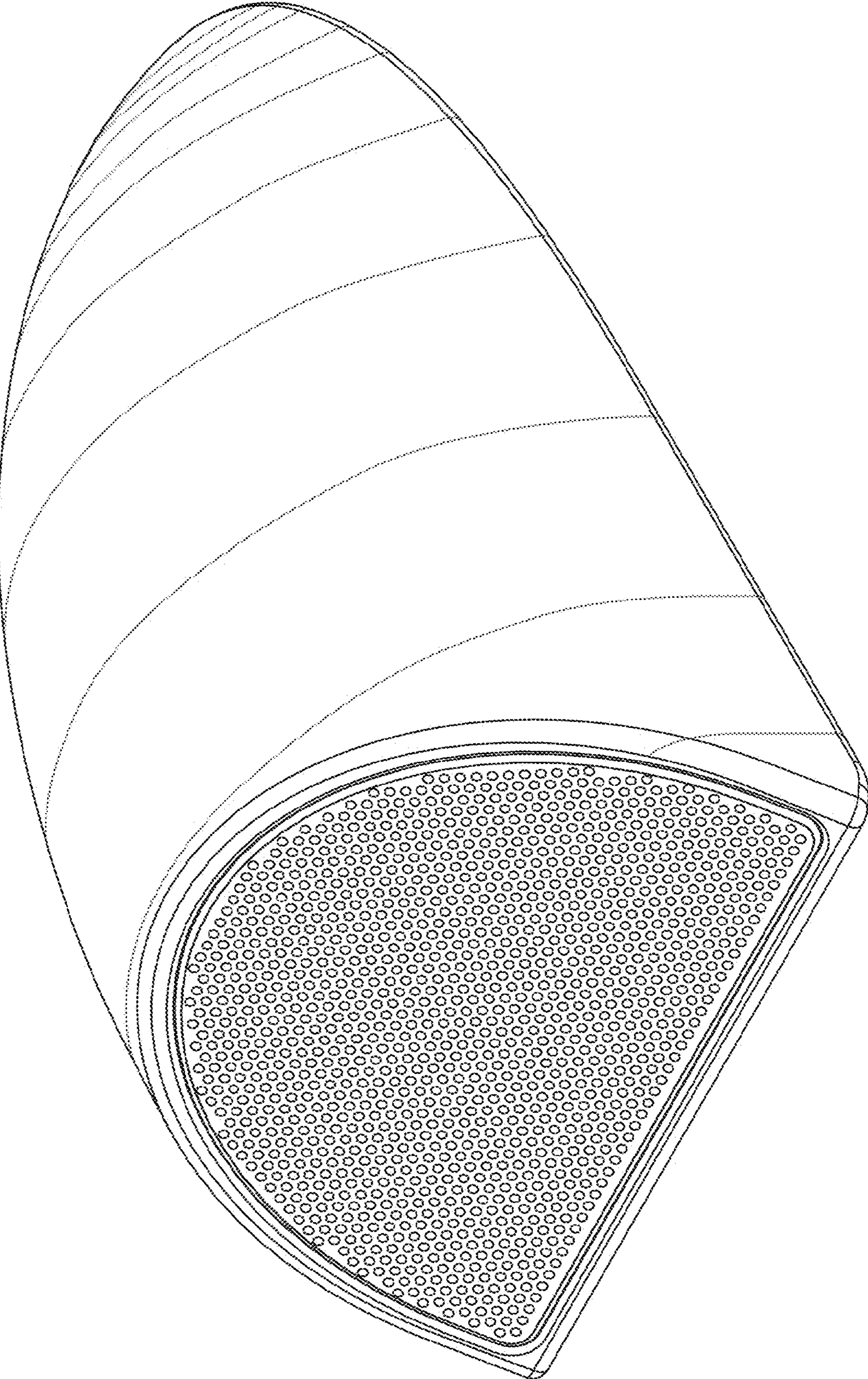


Fig. 1

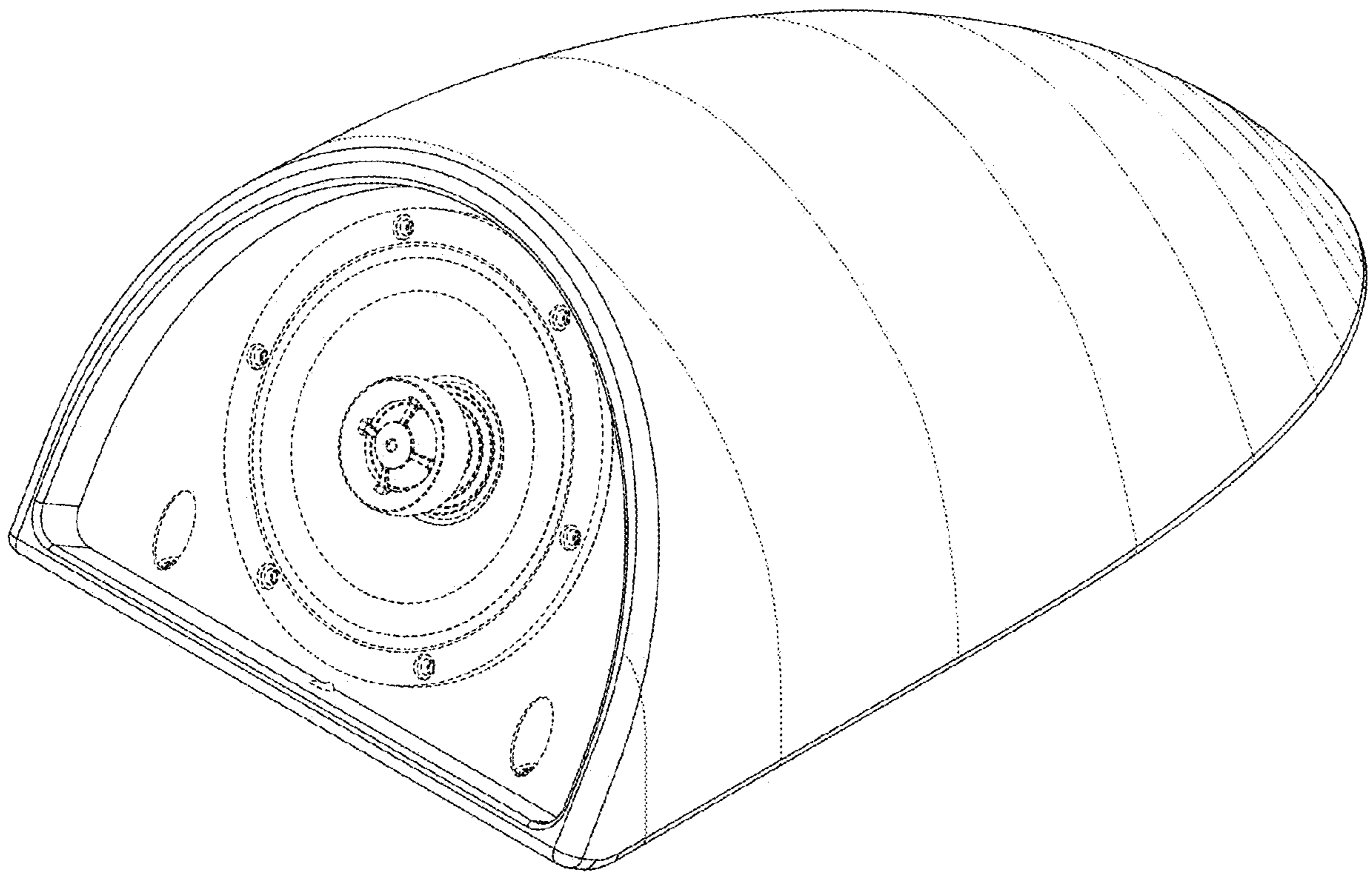


Fig. 2

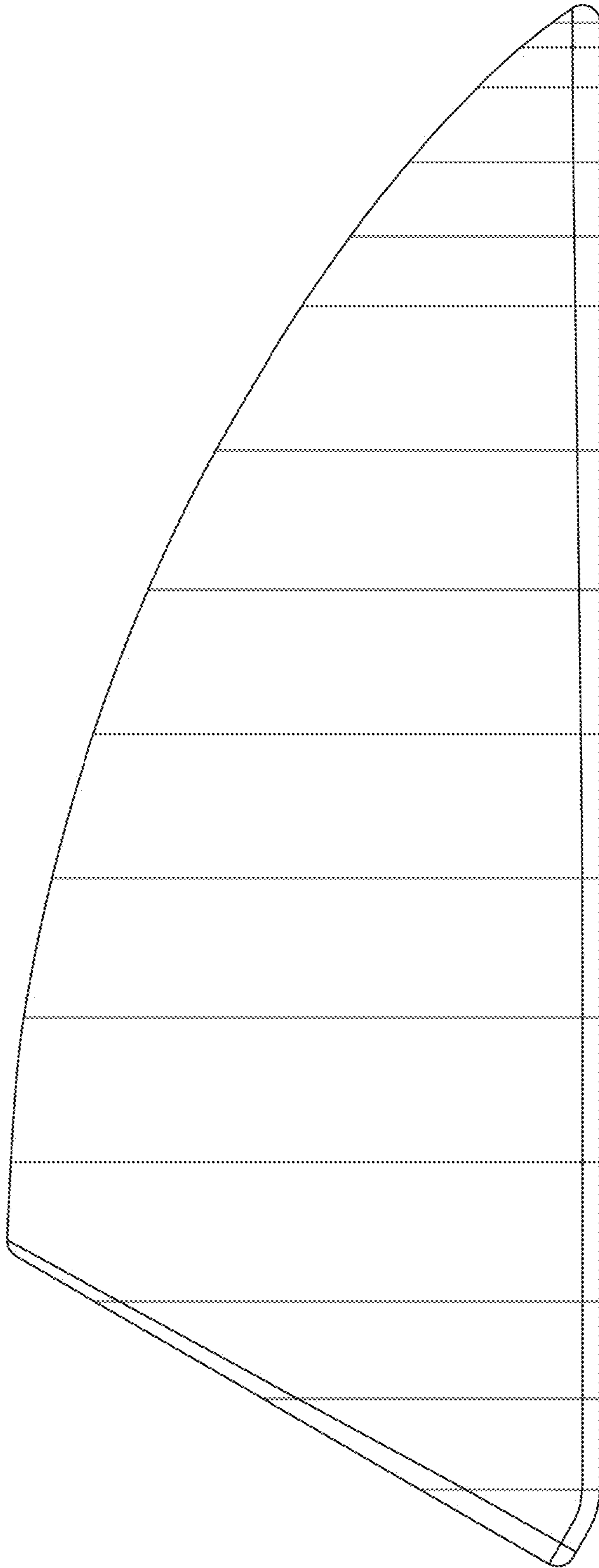


Fig. 3

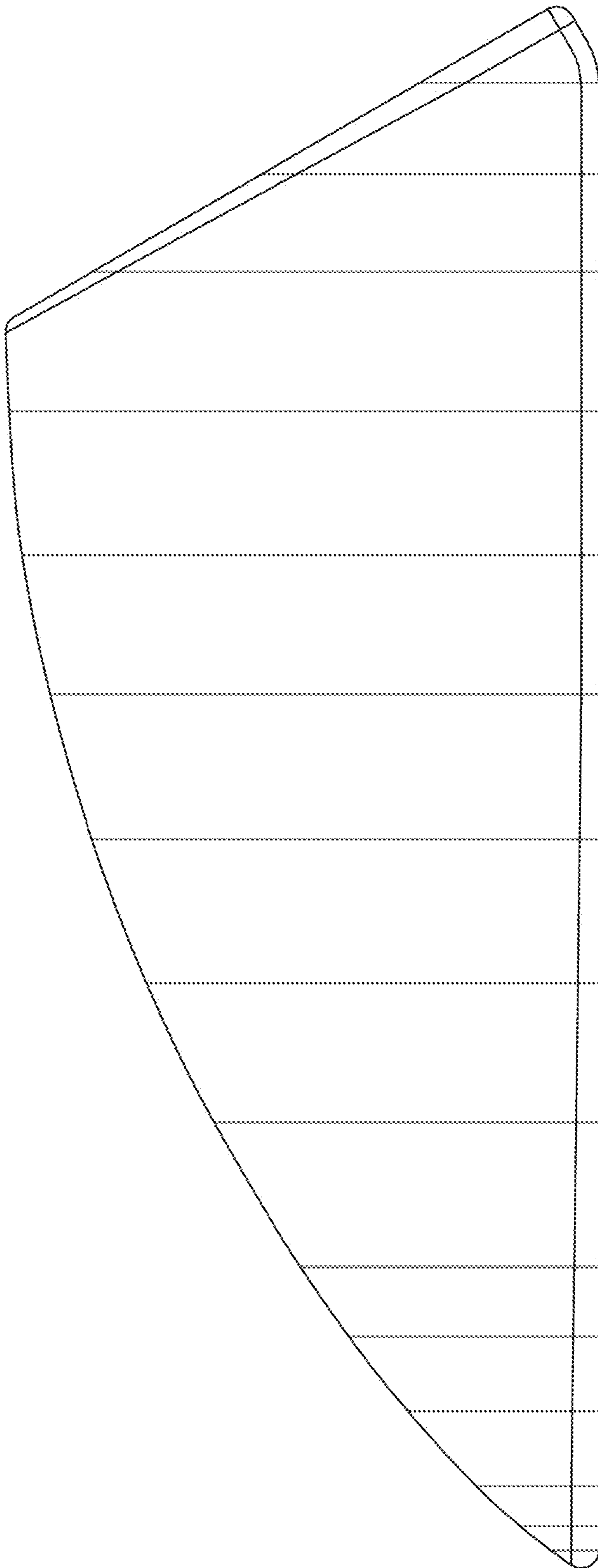


Fig. 4

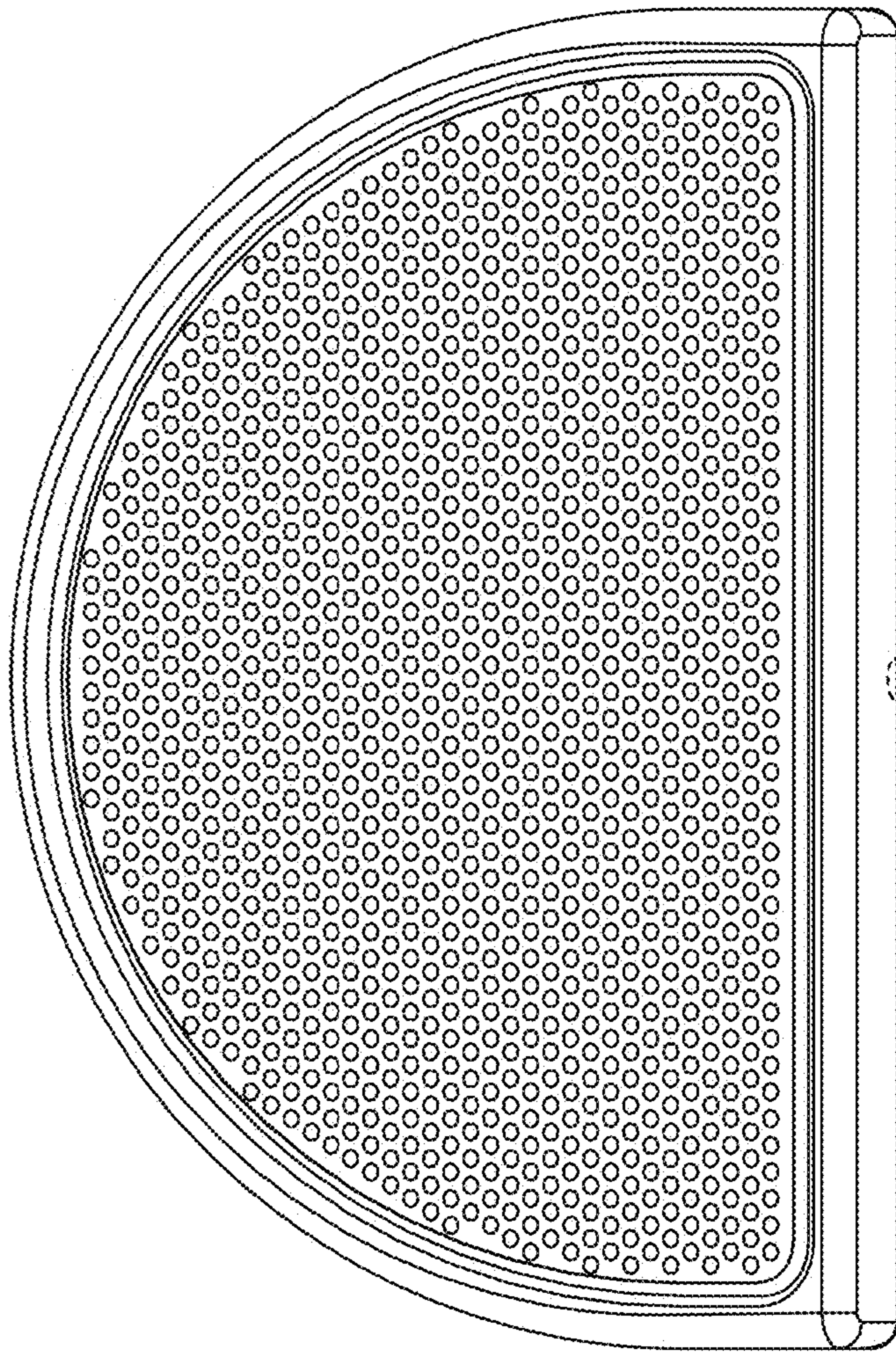


Fig. 5

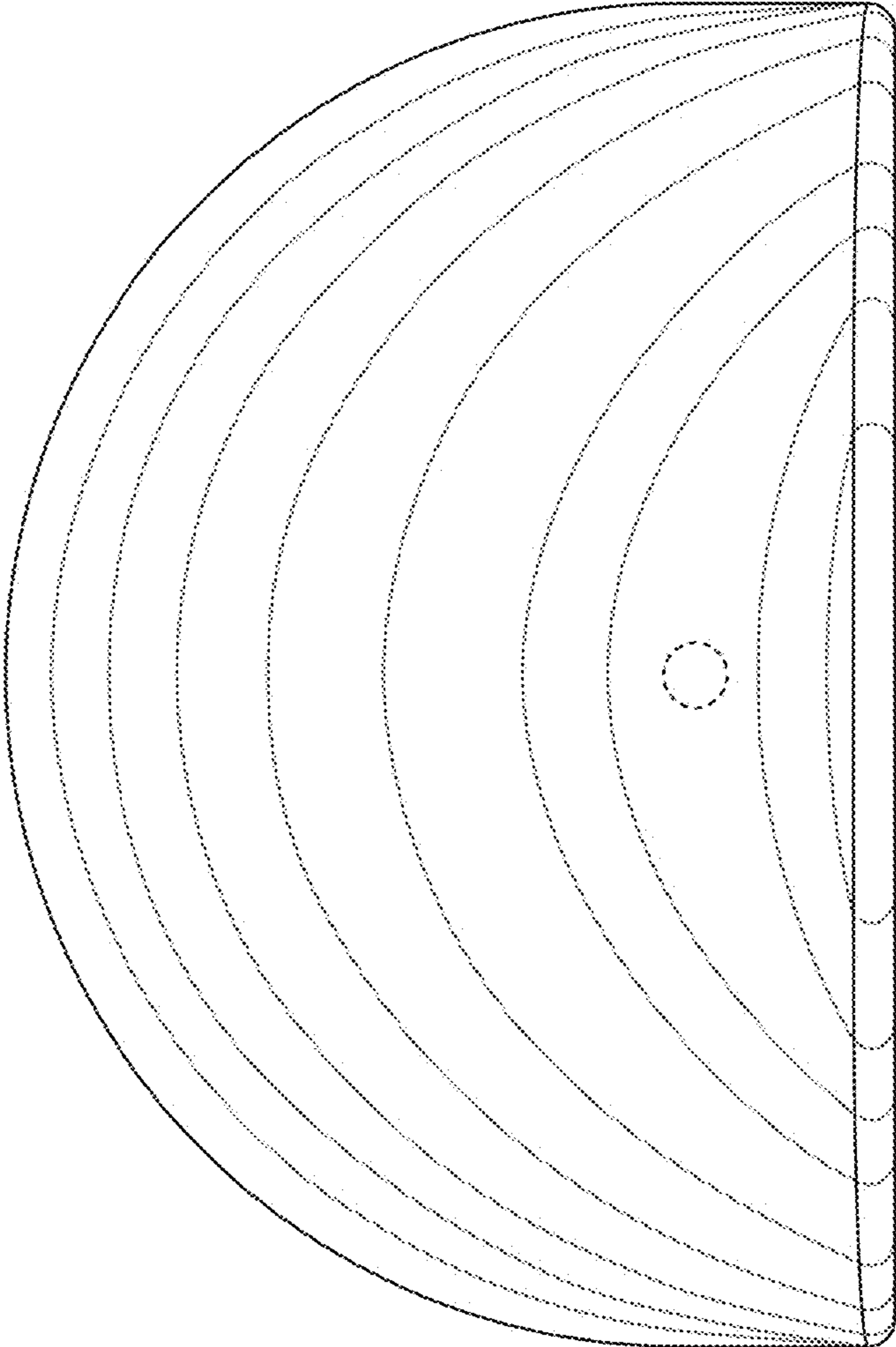
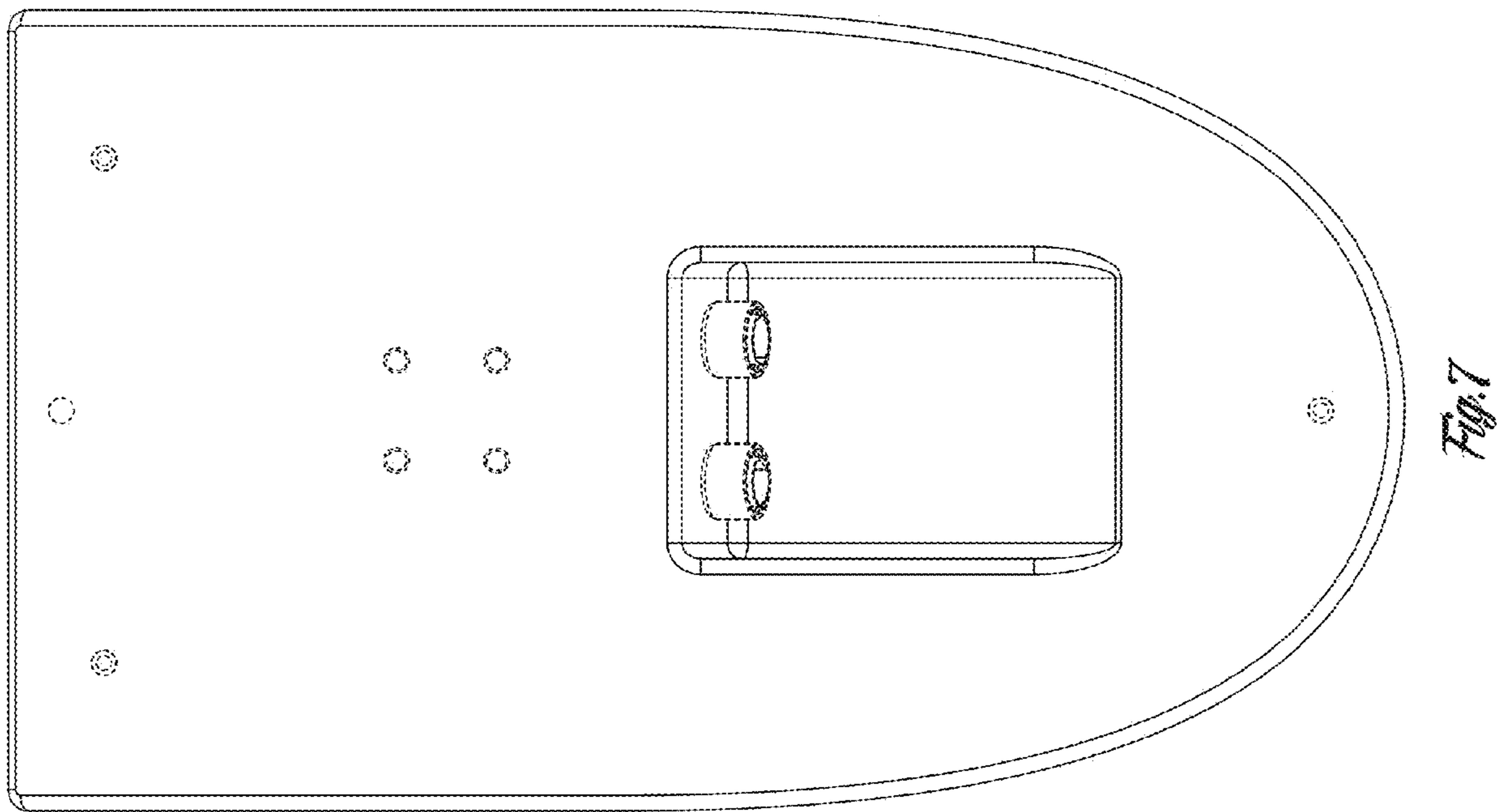


Fig. 6



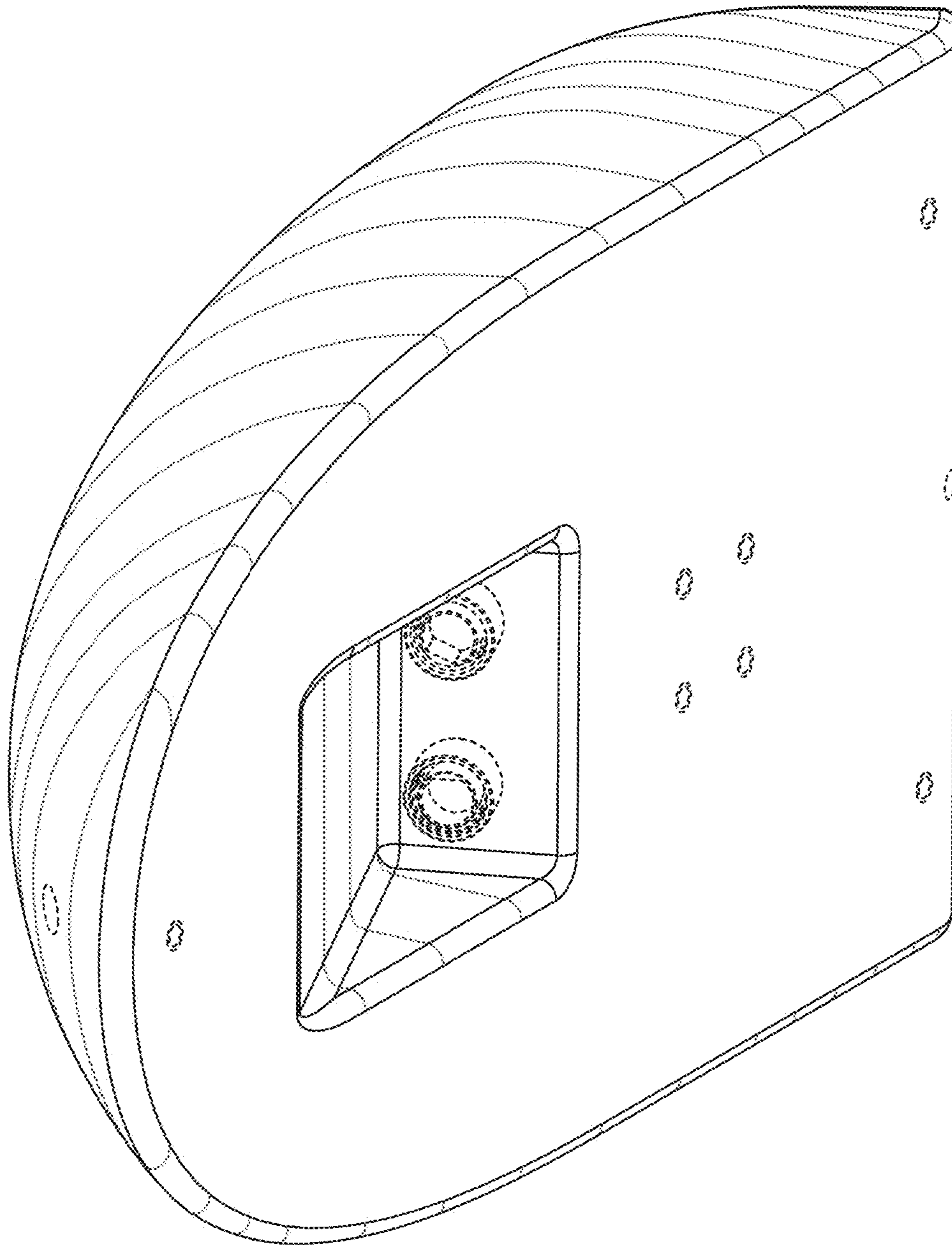


Fig. 8

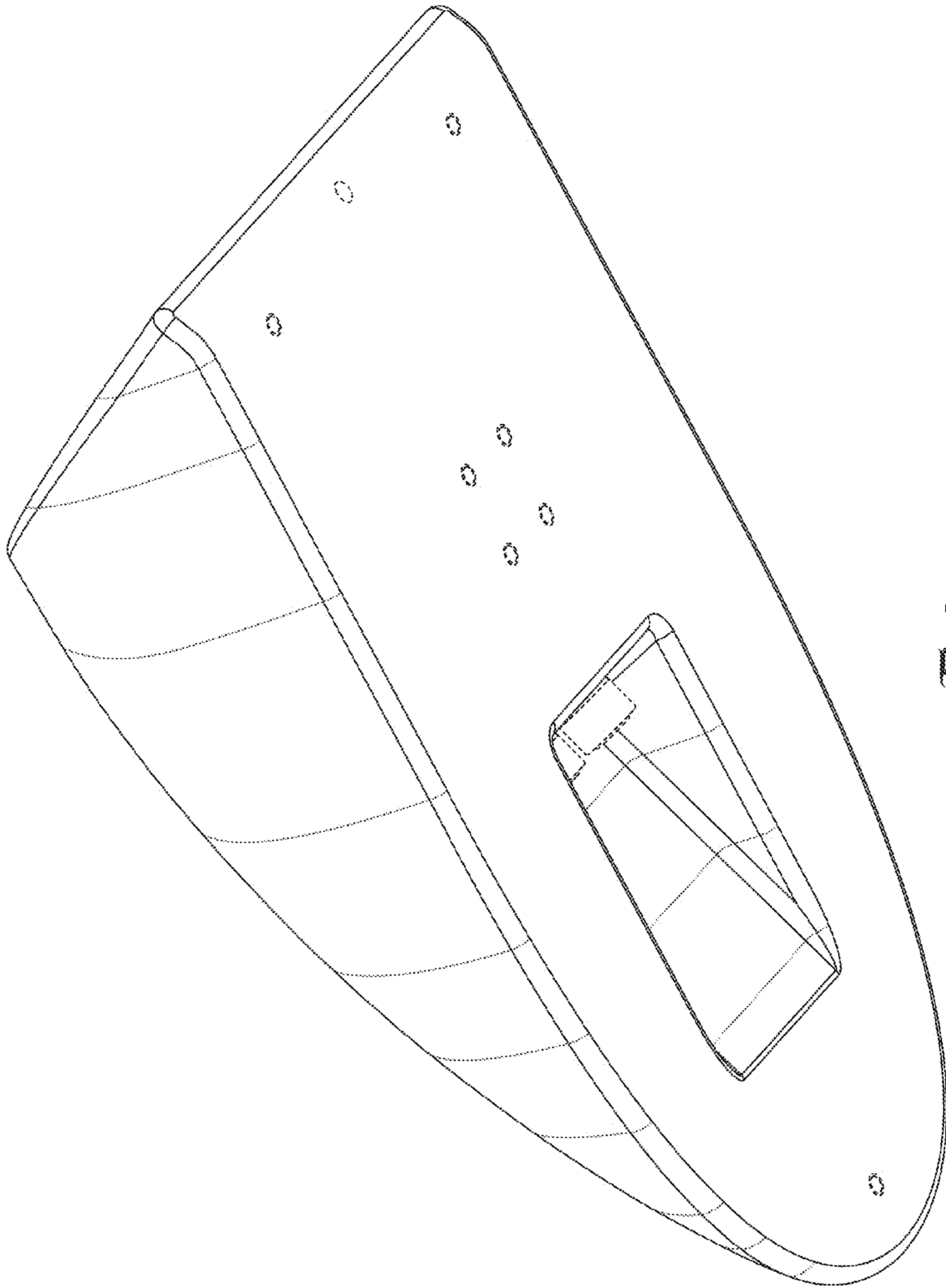


Fig. 9