

US00D962191S

(12) **United States Design Patent** (10) **Patent No.:** **US D962,191 S**
Kim (45) **Date of Patent:** **** Aug. 30, 2022**

(54) **DIGITAL AUDIO PLAYER**
(71) Applicant: **Dreamus Company**, Seoul (KR)
(72) Inventor: **So Yeon Kim**, Seoul (KR)
(73) Assignee: **Dreamus Company**, Seoul (KR)
(**) Term: **15 Years**
(21) Appl. No.: **35/512,037**
(22) Filed: **Dec. 15, 2020**

D717,763 S * 11/2014 Han D14/203.7
D746,868 S * 1/2016 Akana D14/511
D747,288 S * 1/2016 Han D14/203.3
D765,734 S * 9/2016 Xiong D14/203.7
D772,839 S * 11/2016 Kim D14/203.7
D787,468 S * 5/2017 Lee D14/203.3
D792,371 S * 7/2017 Kim D14/203.7
D805,053 S * 12/2017 Chen D14/203.3
D805,497 S * 12/2017 Huang D14/203.3
D806,050 S * 12/2017 Dong D14/203.3
D808,357 S * 1/2018 Kim D14/203.7
D809,473 S * 2/2018 Kim D14/203.7
D828,324 S * 9/2018 Jeong D14/203.7

(Continued)

(80) **Hague Agreement Data**
Int. Filing Date: **Dec. 15, 2020**
Int. Reg. No.: **DM/212538**
Int. Reg. Date: **Dec. 15, 2020**
Int. Reg. Pub. Date: **Jun. 18, 2021**

FOREIGN PATENT DOCUMENTS

CN 305280606 * 12/2018

(30) **Foreign Application Priority Data**

Aug. 3, 2020 (KR) 30-2020-0036005

(51) **LOC (13) Cl.** **14-01**

(52) **U.S. Cl.**
USPC **D14/203.7**

(58) **Field of Classification Search**
USPC D14/138 R, 138 AA, 138 AB, 138 AC,
D14/138 AD, 138 C, 138 G, 203.1, 203.3,
D14/203.4, 203.7, 248, 341, 345, 496;
D21/330, 339
CPC G06F 1/1616; G06F 1/1637; G06F 1/203;
G06F 1/1681

See application file for complete search history.

(56) **References Cited**

U.S. PATENT DOCUMENTS

D488,456 S * 4/2004 Isshiki D14/203.7
D539,306 S * 3/2007 Naruki D14/203.7
D659,114 S * 5/2012 Rayn D14/203.3
D699,701 S * 2/2014 Kim D14/203.7
D712,870 S * 9/2014 Kim D14/203.7

OTHER PUBLICATIONS

Astell&Kern Kann Alpha hi-res audio player, publication date Sep. 1, 2020, [online] URL: aknewsroom.armourhome.co.uk/2020/09/01/astell-kern-kann-alpha-hi-res-audio-player-offers-high-power-output-in-a-compact-portable-friendly-design/ (Year: 2020).*

(Continued)

Primary Examiner — L. A. Grabenstetter

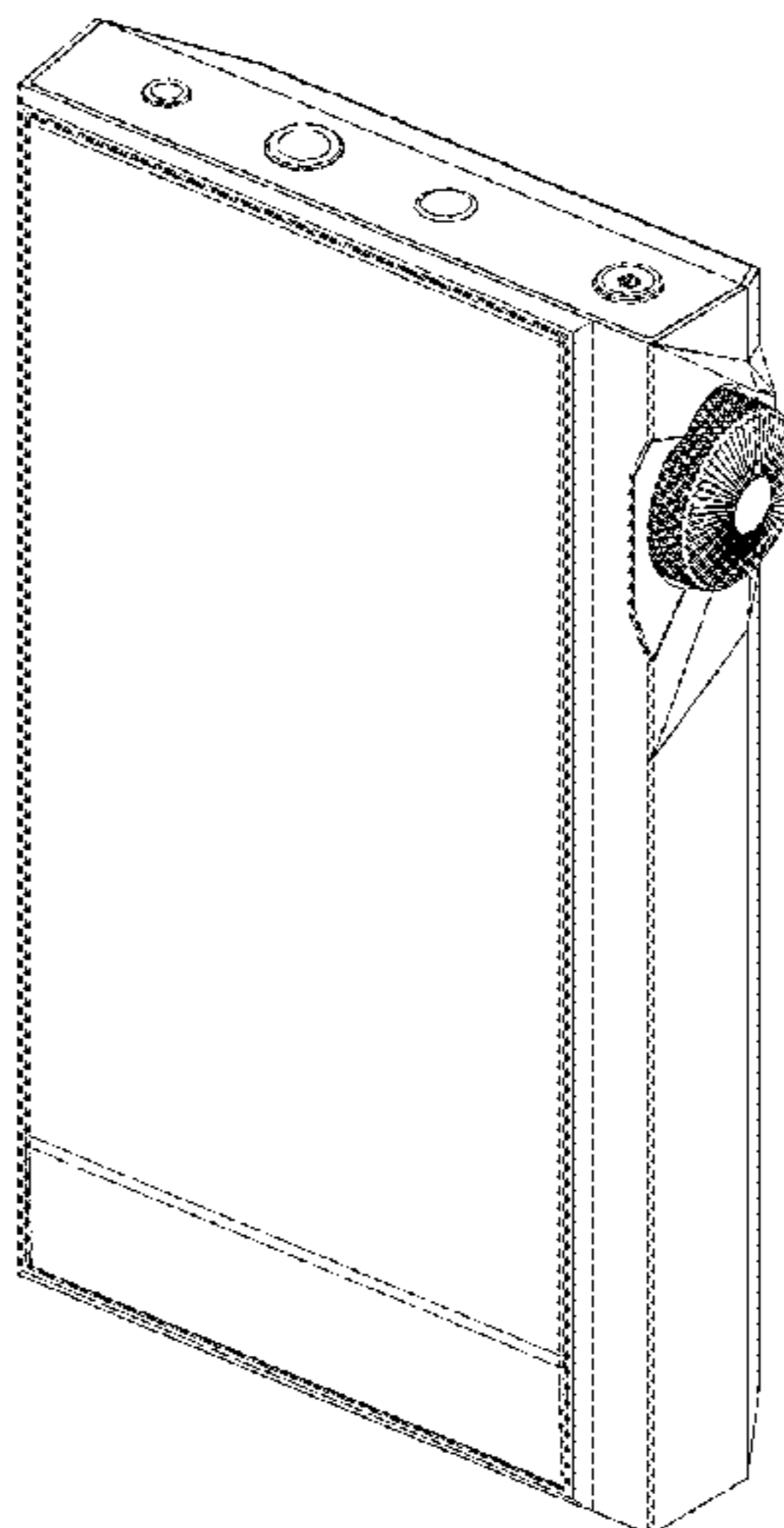
(57) **CLAIM**

The ornamental design for a digital audio player, as shown and described.

DESCRIPTION

- 1. Digital audio player
- 1.1 : Front Perspective
- 1.2 : Back Perspective
- 1.3 : Front
- 1.4 : Back
- 1.5 : Left
- 1.6 : Right
- 1.7: Top
- 1.8: Bottom

1 Claim, 8 Drawing Sheets



(56)

References Cited

U.S. PATENT DOCUMENTS

D839,233 S * 1/2019 Bian D14/203.7
D839,234 S * 1/2019 Bian D14/203.7
D883,948 S * 5/2020 Kim D14/203.7
D884,667 S * 5/2020 Kim D14/203.7
D892,761 S * 8/2020 Choi D14/203.7
D901,432 S * 11/2020 Kim D14/203.7
D901,433 S * 11/2020 Jeong D14/203.7
D901,434 S * 11/2020 Choi D14/203.7

OTHER PUBLICATIONS

Fiiio M11 High-Resolution Audio Player review, publication date Aug. 13, 2019, [online] URL: <https://www.techradar.com/reviews/fiiio-m11-high-resolution-audio-player> (Year: 2019).*

Cowon U7-16G Gold MP3 Player, publication date Oct. 10, 2018, [online] URL: <https://www.amazon.co.uk/Cowon-U7-16G-Gold-Player-Screen-Inches/dp/B07HYBJVC1> (Year: 2018).*

Cowon Plenue P2 Hi-Fi MP3 Player, publication date Apr. 25, 2017, [online] URL: <https://www.amazon.com/Cowon-P2-128IS-Plenue-Player-Imperial/dp/B071RM41RF> (Year: 2017).*

iBasso DX160 Review, publication date Jul. 28, 2020, [online] URL: <https://www.headfonia.com/ibasso-dx160-review/> (Year: 2020).*

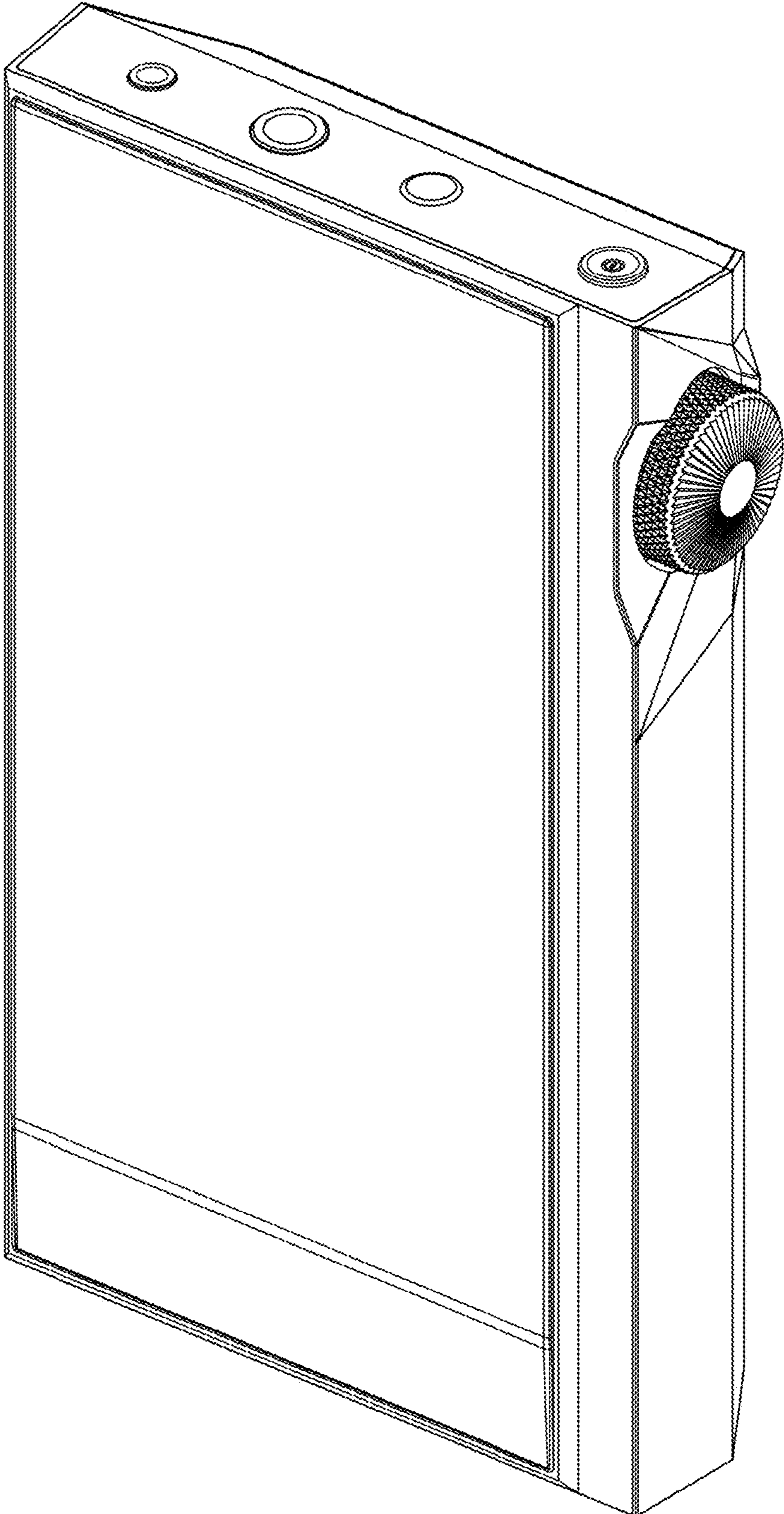
Surfans F20 HiFi MP3 Player, publication date Jul. 31, 2019, [online] URL: <https://www.amazon.com/dp/B07VWK4FP3/> (Year: 2019).*

Onkyo DP-X1 Digital Audio Player, publication date Jan. 29, 2016, [online] URL: <https://www.amazon.com/Onkyo-DP-X1-Digital-Audio-Player/dp/B01AWLQ1AY> (Year: 2016).*

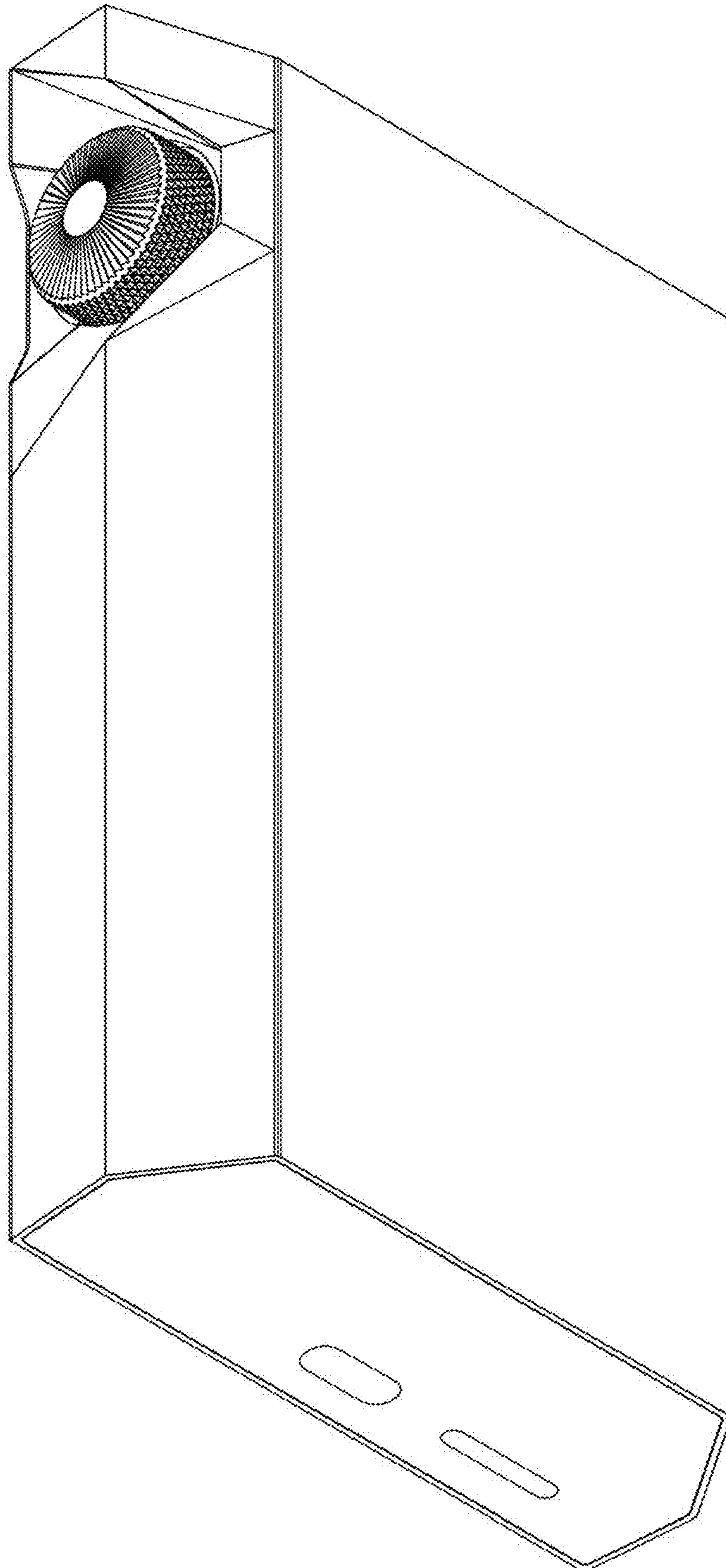
HIDIZS AP80 Pro MP3 Player, publication date Apr. 20, 2020, [online] URL: <https://www.amazon.com/HIDIZS-Bluetooth-Resolution-Lossless-Digital/dp/B087BJB8GZ> (Year: 2020).*

* cited by examiner

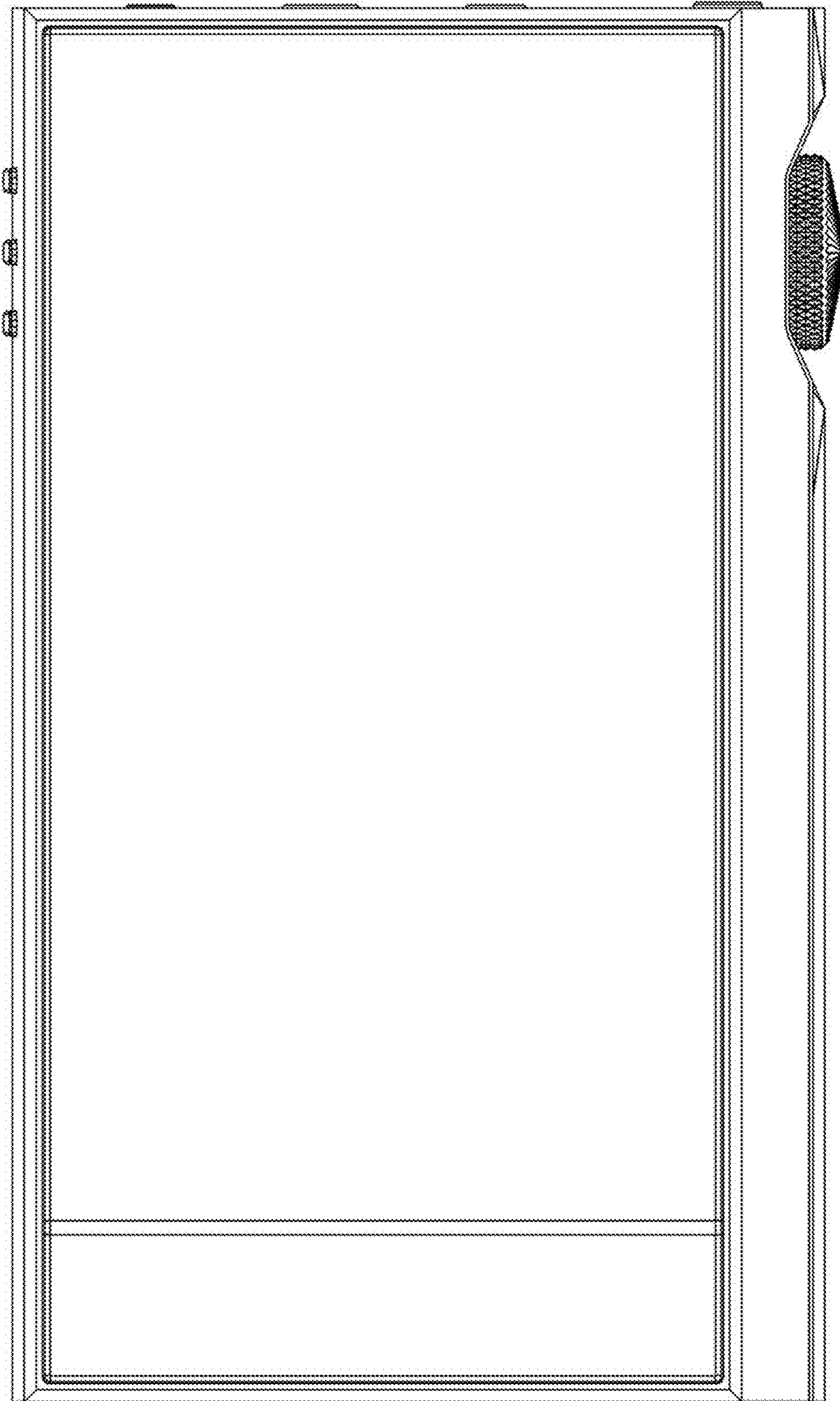
1.1



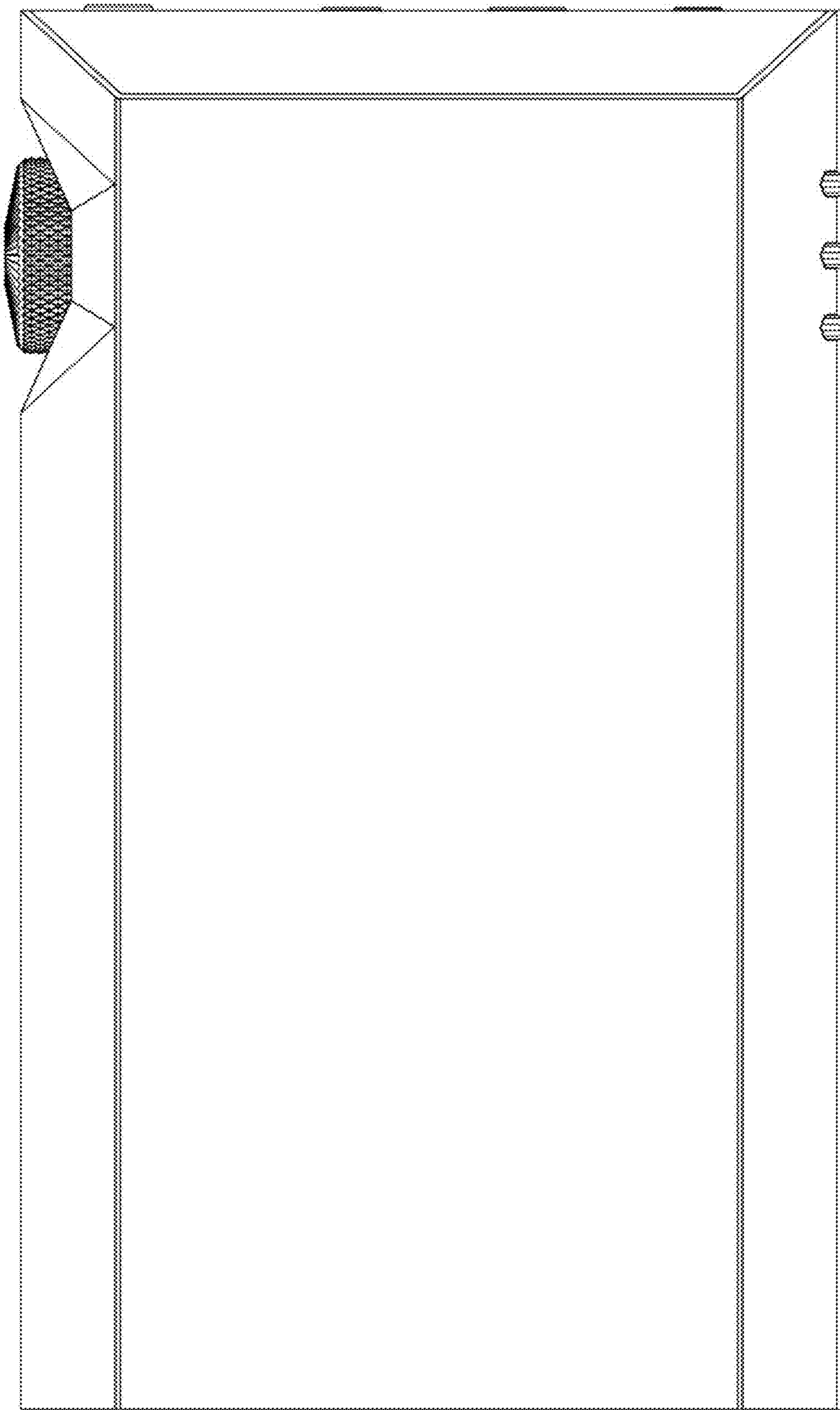
1.2



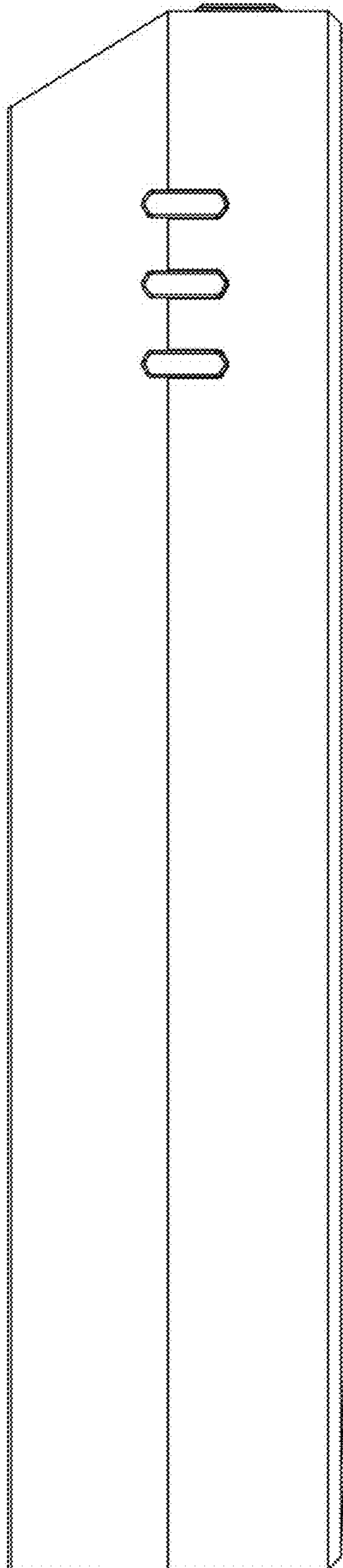
1.3



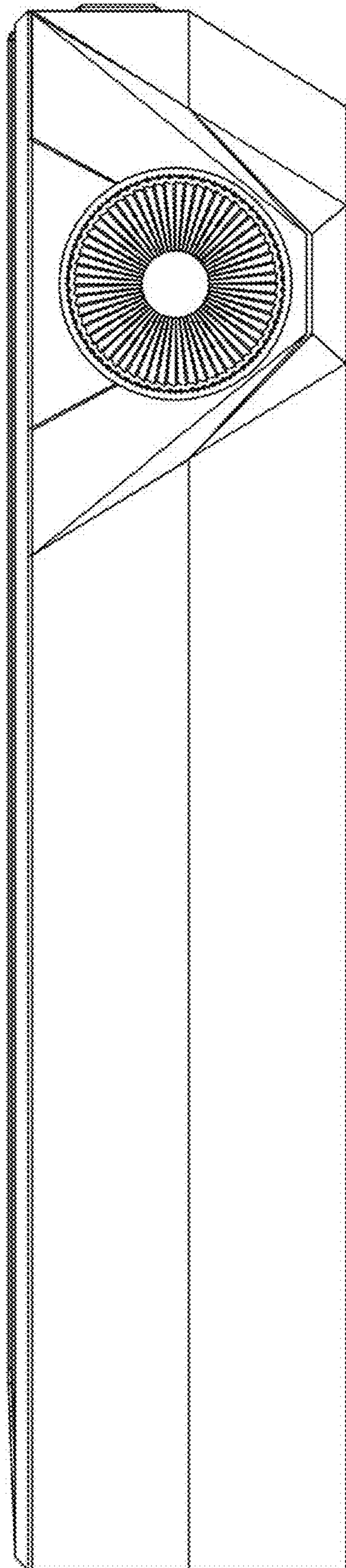
1.4



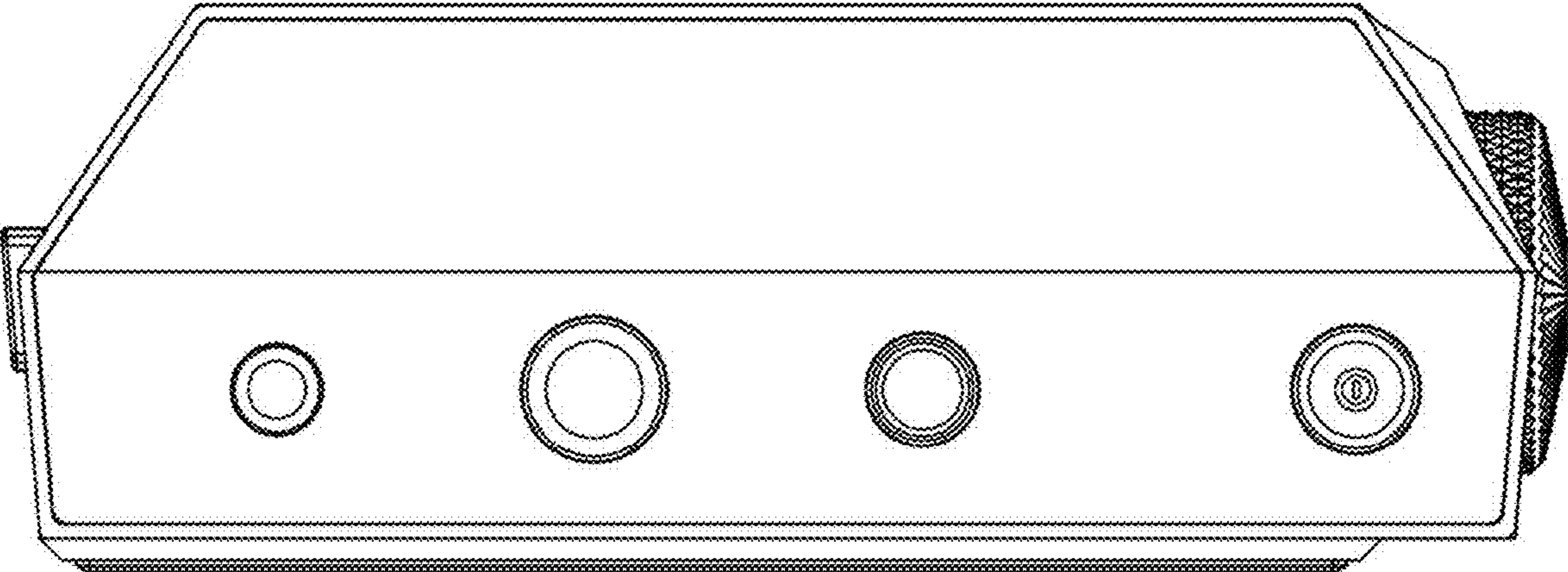
1.5



1.6



1.7



1.8

