

US00D962189S

(12) **United States Design Patent** (10) **Patent No.:** **US D962,189 S**  
**Song et al.** (45) **Date of Patent:** **\*\* Aug. 30, 2022**

(54) **ELECTRONIC DEVICE**

(71) Applicant: **Samsung Electronics Co., Ltd.**,  
Suwon-si (KR)  
(72) Inventors: **Jun-Yong Song**, Suwon-si (KR);  
**Byoung-Jin Kim**, Suwon-si (KR);  
**Jung-Hyun Choi**, Suwon-si (KR);  
**Woo-Hyeok Jeong**, Suwon-si (KR);  
**Eun-Soo Kim**, Suwon-si (KR)

(73) Assignee: **SAMSUNG ELECTRONICS CO., LTD.**,  
Suwon-si (KR)

(\*\*) Term: **15 Years**

(21) Appl. No.: **29/730,436**

(22) Filed: **Apr. 3, 2020**

(30) **Foreign Application Priority Data**

Nov. 20, 2019 (KR) ..... 30-2019-0055427

(51) **LOC (13) Cl.** ..... **14-03**

(52) **U.S. Cl.**  
USPC ..... **D14/138 AB**

(58) **Field of Classification Search**  
USPC ..... D14/341, 342, 345, 348, 426, 138 R,  
D14/138 AA, 138 AB, 138 AC, 138 AD,  
D14/138 C, 138 G, 203.1, 203.3, 203.4,  
D14/203.7, 247, 248, 496; D10/50;  
D21/330; D8/323, 325; D25/199  
CPC ..... G06F 3/041; G06F 3/0412; G06F 3/0488;  
G06F 3/04883; G06F 1/1613; G06F  
1/1686; G06F 1/1626; G06F 1/1692;  
G06F 2200/1633; H04M 1/0283; H04M  
1/0279; H04M 1/0202; H04M 1/0266;  
H04M 1/027

See application file for complete search history.

(56) **References Cited**

U.S. PATENT DOCUMENTS

D447,575 S \* 9/2001 Shaw ..... D25/121  
D559,843 S \* 1/2008 Takamori ..... D14/248  
D622,241 S \* 8/2010 Kim ..... D14/138 AB  
D829,204 S \* 9/2018 Yamazaki ..... D14/341

(Continued)

FOREIGN PATENT DOCUMENTS

CN 306189880 \* 11/2020  
IN 351727-001-0001 \* 12/2021

OTHER PUBLICATIONS

Samsung Galaxy Z Flip, www.gsmarena.com, Feb. 14, 2020. [https://www.gsmarena.com/samsung\\_galaxy\\_z\\_flip-10054.php](https://www.gsmarena.com/samsung_galaxy_z_flip-10054.php) (Year: 2020).\*

(Continued)

*Primary Examiner* — Llorellys Martinez

*Assistant Examiner* — Kwabena A. Ankobiah

(74) *Attorney, Agent, or Firm* — McAndrews Held & Malloy, Ltd.

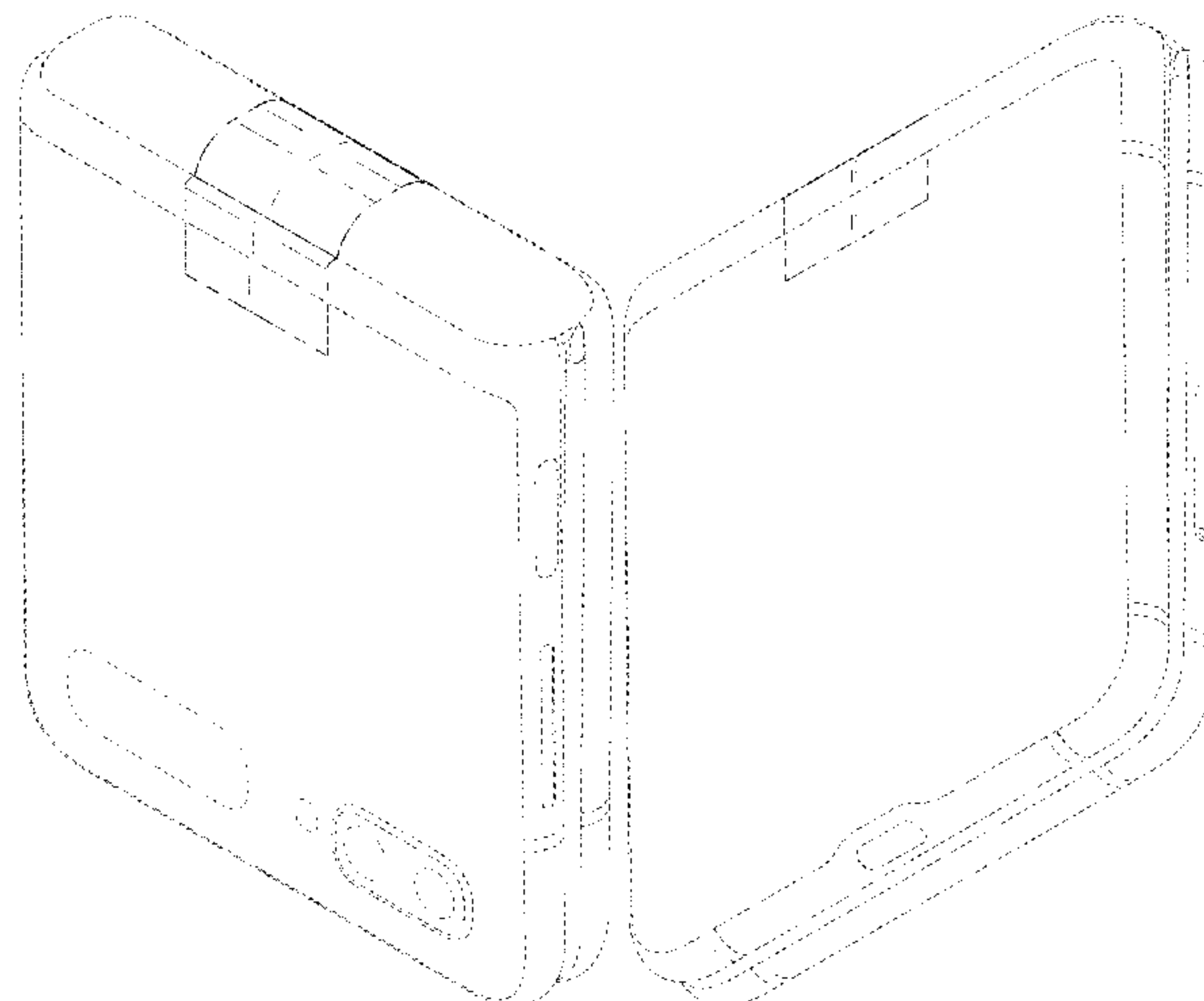
(57) **CLAIM**

The ornamental design for an electronic device, as shown and described.

**DESCRIPTION**

FIG. 1 is a front perspective view of an electronic device showing our new design;  
FIG. 2 is a front elevation view thereof;  
FIG. 3 is a rear elevation view thereof;  
FIG. 4 is a left side elevation view thereof;  
FIG. 5 is a right side elevation view thereof;  
FIG. 6 is a top plan view thereof;  
FIG. 7 is a bottom plan view thereof; and,  
FIG. 8 is a rear perspective view thereof.

(Continued)



The dashed broken lines in the figures illustrate portions of the electronic device that form no part of the claimed design. The dot-dash broken lines in the figures define the boundaries of the claimed design and form no part thereof.

**1 Claim, 8 Drawing Sheets**

(56)

**References Cited**

U.S. PATENT DOCUMENTS

D875,704 S \* 2/2020 Lee ..... D14/138 AB  
D895,415 S \* 9/2020 Unruh, Sr. .... D25/199  
D903,621 S \* 12/2020 Kim ..... D14/138 AB  
D947,844 S \* 4/2022 Lee ..... D14/341  
D954,014 S \* 6/2022 Song ..... D14/138 AB

OTHER PUBLICATIONS

Samsung Galaxy Z Flip Review, [www.theverge.com](http://www.theverge.com), Feb. 21, 2020. <https://www.theverge.com/2020/2/21/21146465/samsung-galaxy-z-flip-review-folding-glass-flip-phone-screen-camera-price> (Year: 2020).\*  
Galaxy Z Flip Design & Specs Rumors, [www.samma3a.com](http://www.samma3a.com), Feb. 9, 2020. <https://www.samma3a.com/tech/en/galaxy-z-flip-rumors/> (Year: 2020).\*

\* cited by examiner

FIG. 1

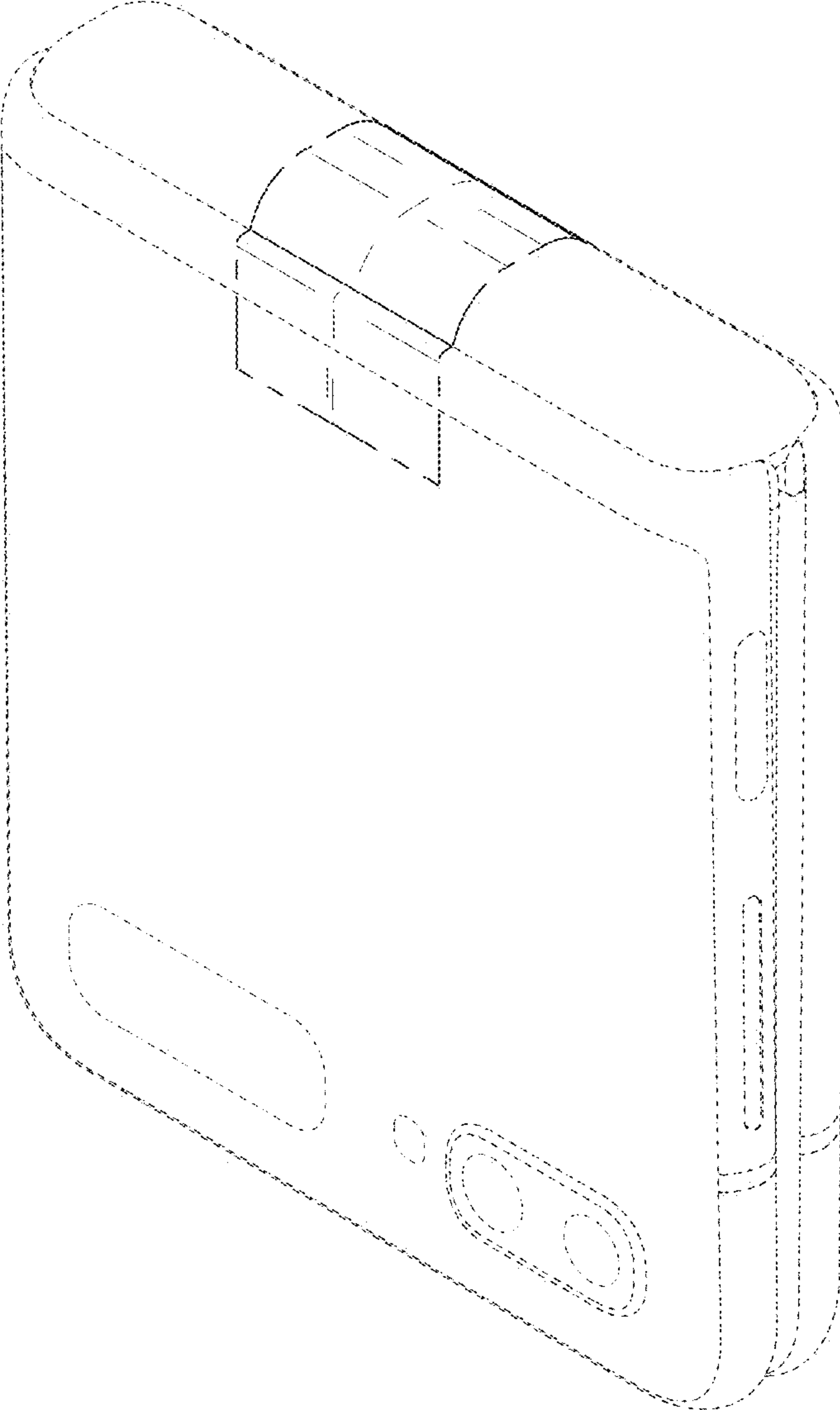


FIG. 2

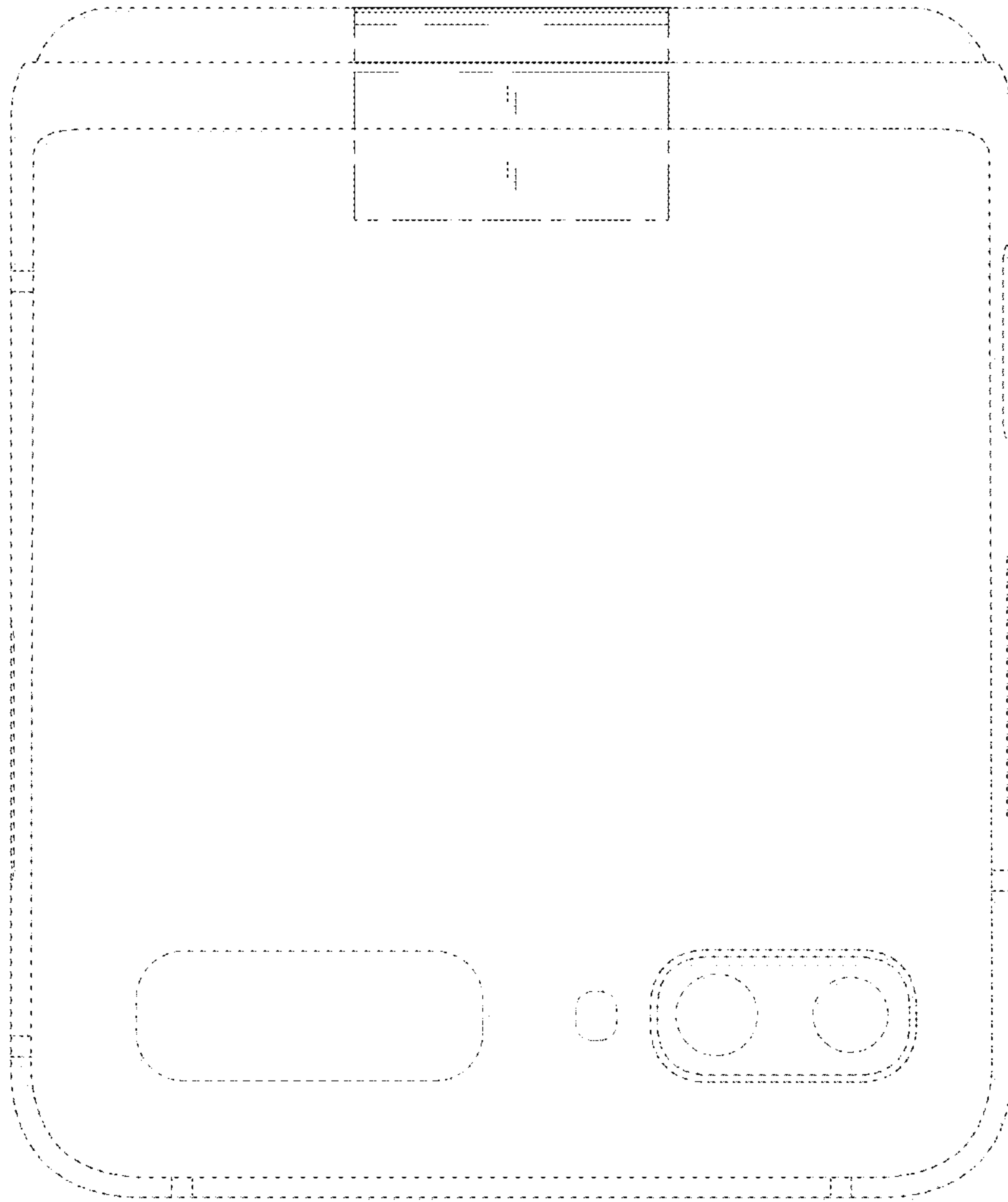


FIG. 3

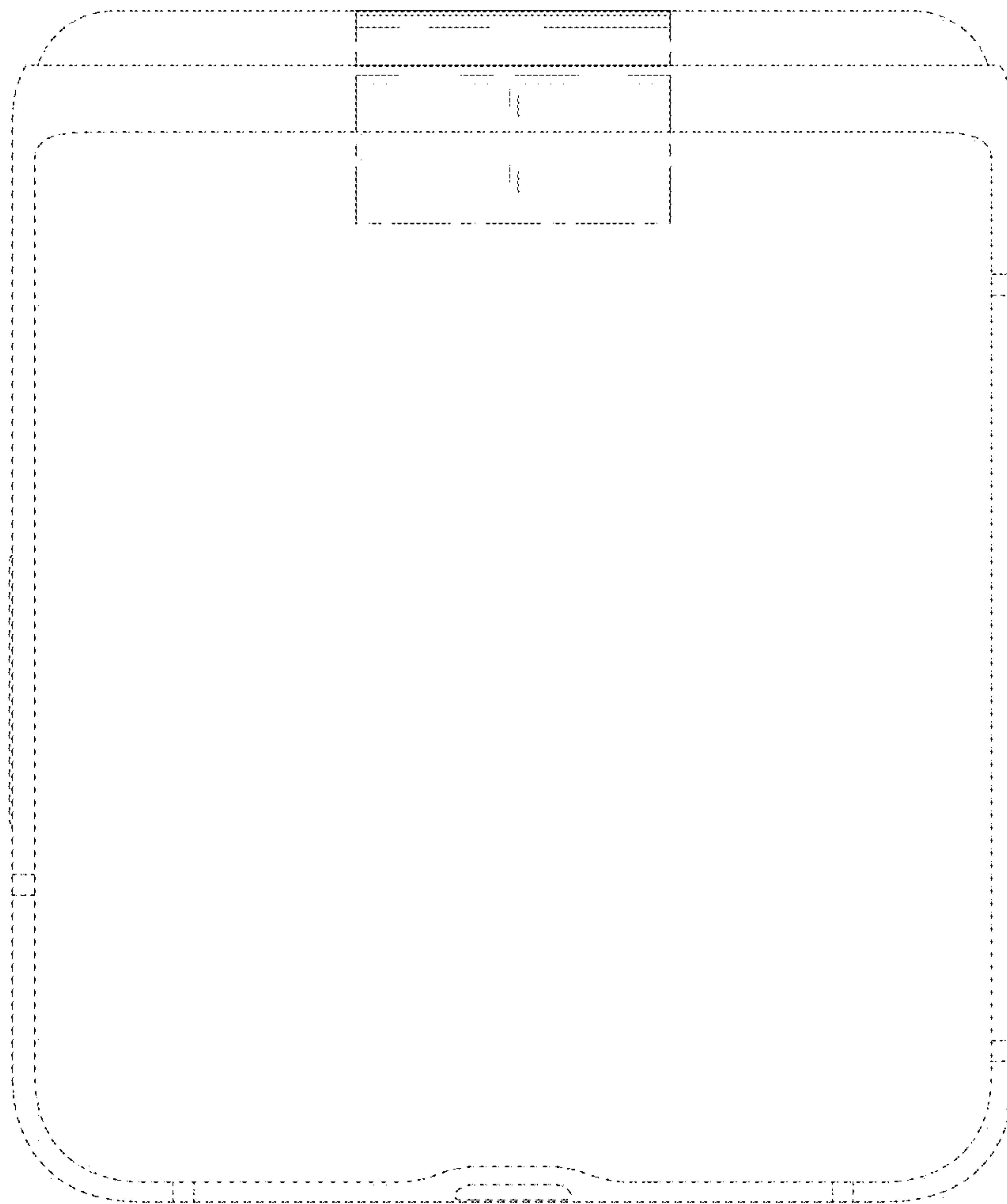


FIG. 4

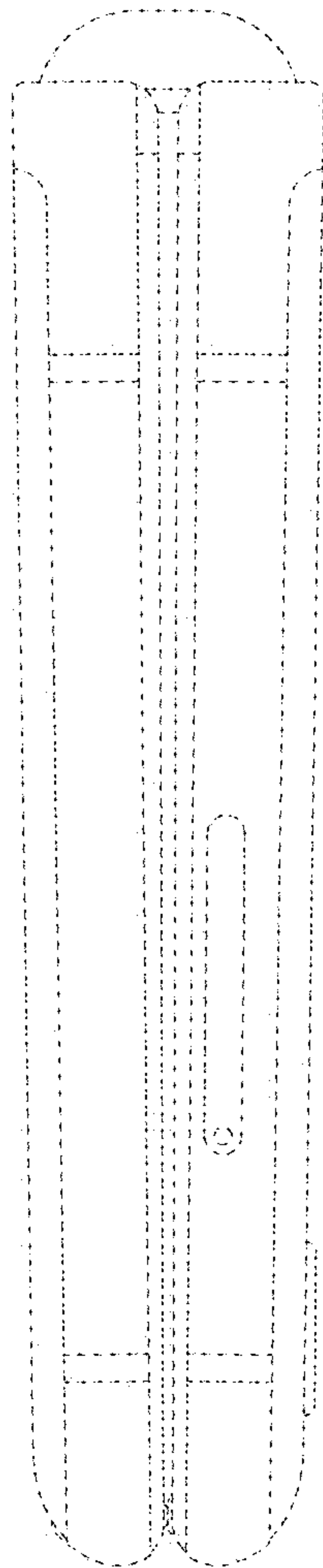


FIG. 5

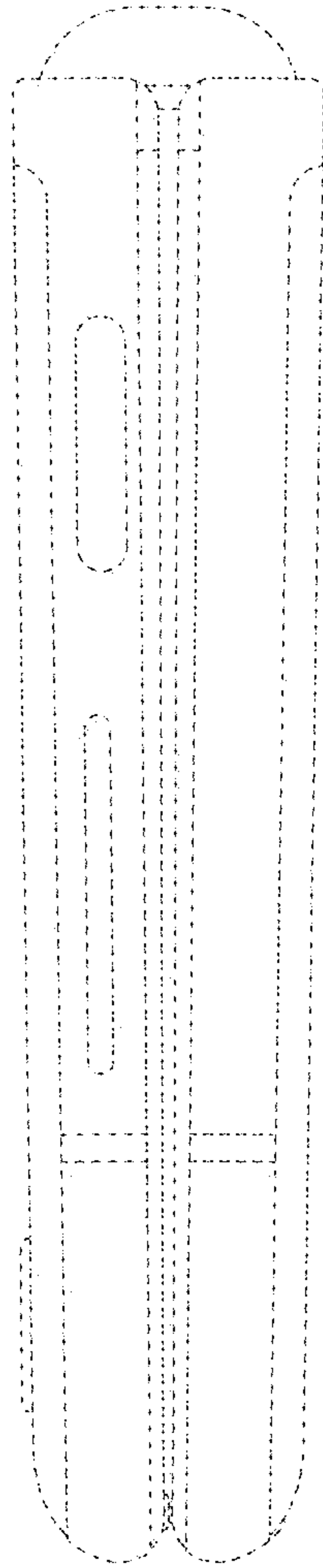


FIG. 6

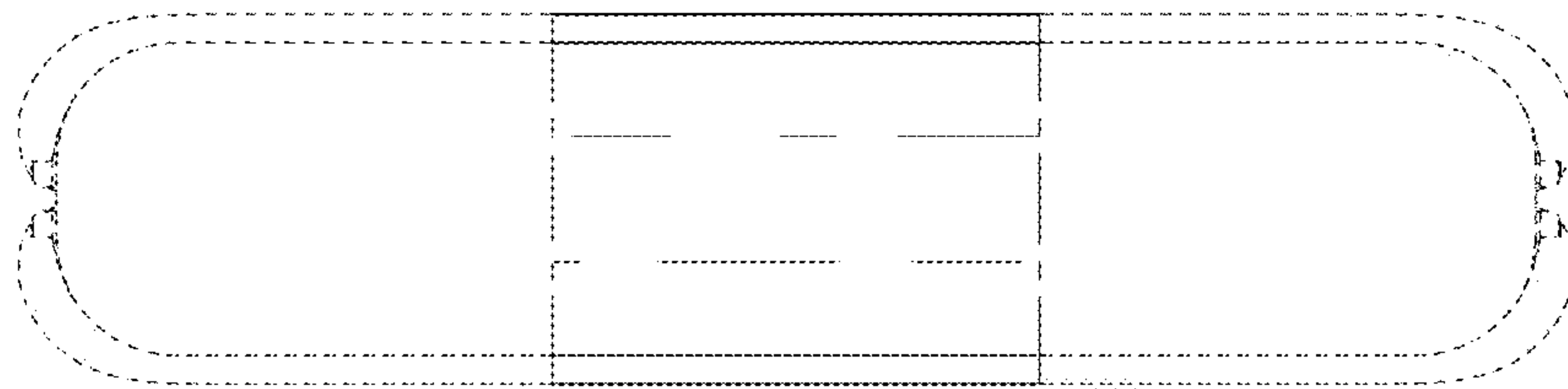




FIG. 7

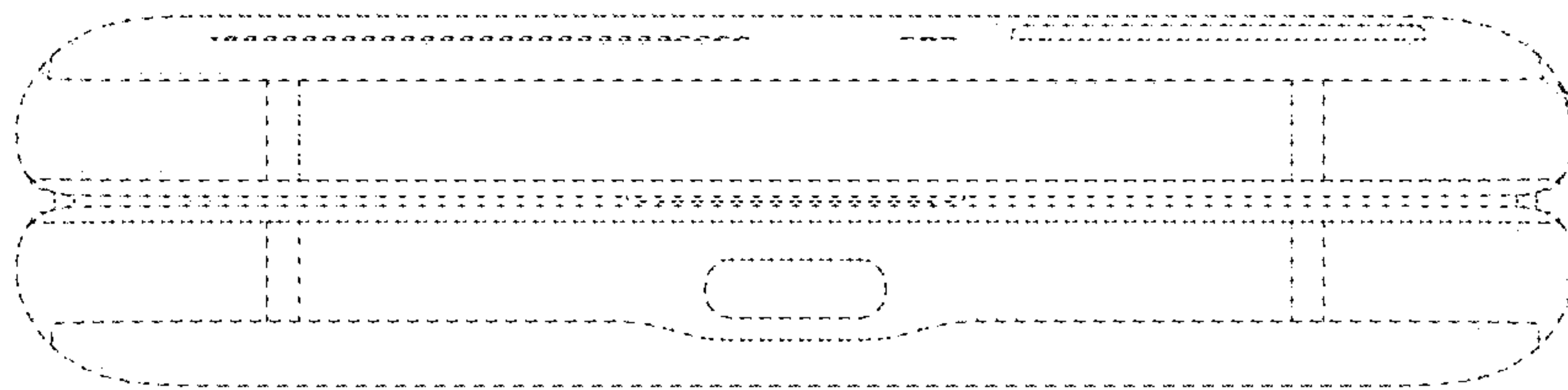


FIG. 8

