



US00D962188S

(12) **United States Design Patent**
Min et al.

(10) **Patent No.:** **US D962,188 S**
(45) **Date of Patent:** **** Aug. 30, 2022**

(54) **MOBILE PHONE**

(71) Applicant: **LG ELECTRONICS INC.**, Seoul (KR)

(72) Inventors: **Jinki Min**, Seoul (KR); **Hongkyu Park**, Seoul (KR); **Jonghak Lee**, Seoul (KR); **Seunghyun Ji**, Seoul (KR); **Sojin Kim**, Seoul (KR)

(73) Assignee: **LG ELECTRONICS INC.**, Seoul (KR)

(**) Term: **15 Years**

(21) Appl. No.: **29/729,074**

(22) Filed: **Mar. 24, 2020**

(30) **Foreign Application Priority Data**

Sep. 25, 2019 (JP) 2019-021441

(51) **LOC (13) Cl.** **14-03**

(52) **U.S. Cl.**
USPC **D14/138 AD**

(58) **Field of Classification Search**
USPC D14/336, 341, 348, 374, 426, 439, 496,
D14/138 R, 138 AA, 138 AB, 138 AC,
D14/138 AD, 138 C, 138 G, 203.3, 203.1,
D14/203.4, 203.7, 248, 388, 389, 345;
D10/50; D13/130
CPC G06F 3/041; G06F 3/0412; G06F 3/0488;
G06F 3/04883; G06F 1/1613; G06F
1/1626; G06F 1/1692; G06F 2200/1633;
A63H 33/3016; H04M 1/0283; H04M
1/0279

See application file for complete search history.

(56) **References Cited**

U.S. PATENT DOCUMENTS

D712,401 S * 9/2014 Lee D14/341
D716,253 S * 10/2014 Lee D14/138 AB

D761,251 S * 7/2016 Senda D14/341
D761,252 S * 7/2016 Senda D14/341
D761,253 S * 7/2016 Yamazaki D14/341
D761,787 S * 7/2016 Yamazaki D14/341
D761,788 S * 7/2016 Yamazaki D14/341
D761,790 S * 7/2016 Yamazaki D14/341
D784,945 S * 4/2017 Choo D14/138 AB

(Continued)

FOREIGN PATENT DOCUMENTS

WO WOD204807-001 * 1/2020

OTHER PUBLICATIONS

Samsung Says Foldable Phones Won't Be A Gimmick, www.beebom.com, Feb. 26, 2018. <https://beebom.com/samsung-foldable-phones-bixby-speaker-mwc/> (Year: 2018).*

(Continued)

Primary Examiner — Llorellys Martinez

Assistant Examiner — Kwabena A. Ankobiah

(74) *Attorney, Agent, or Firm* — Birch, Stewart, Kolasch & Birch, LLP

(57) **CLAIM**

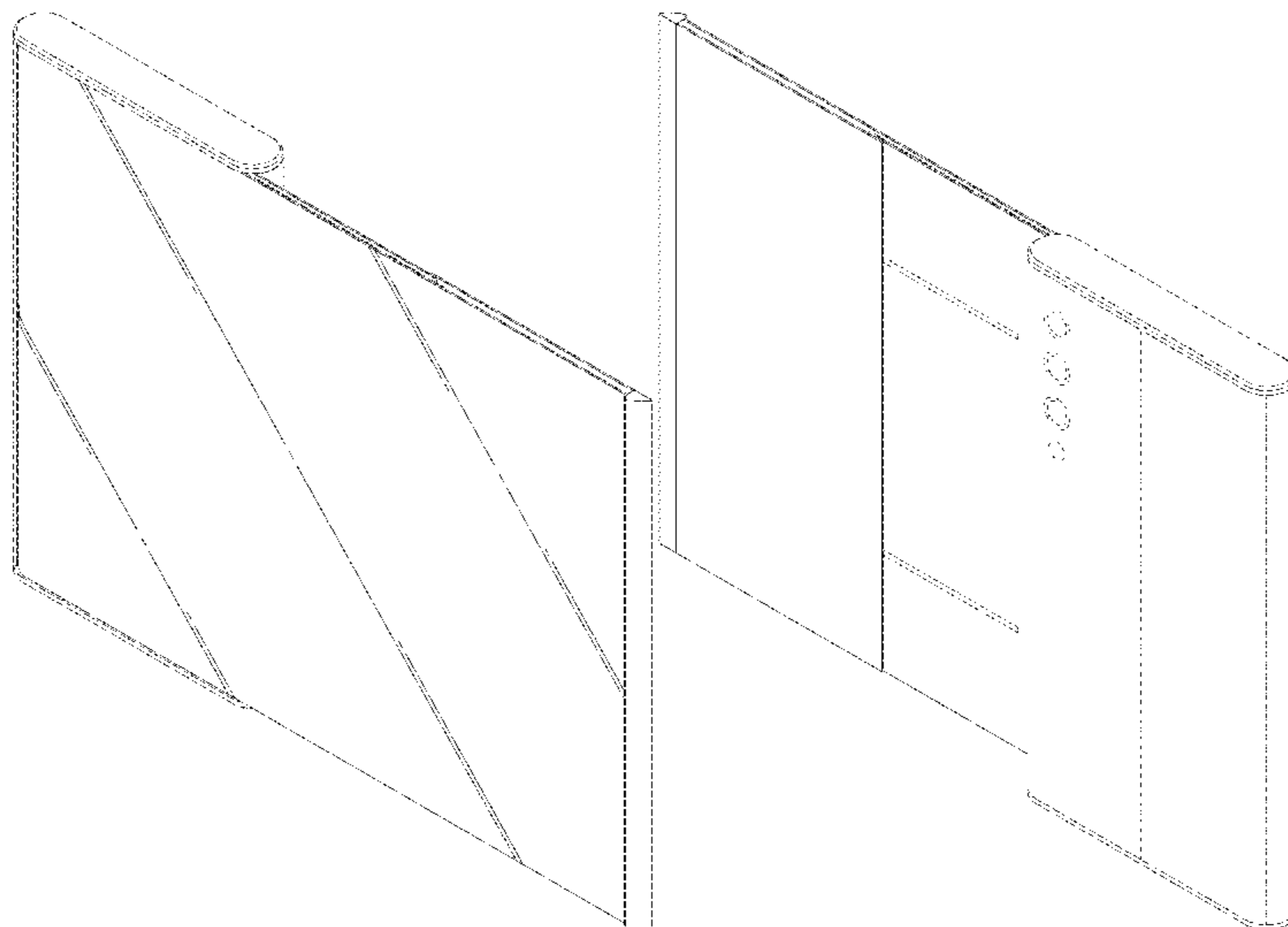
The ornamental design for a mobile phone, as shown and described.

DESCRIPTION

FIG. 1 is a front perspective view of the mobile phone showing our new design;
FIG. 2 is a front view thereof;
FIG. 3 is a rear view thereof;
FIG. 4 is a left side view thereof;
FIG. 5 is a right side view thereof;
FIG. 6 is a top plan view thereof;
FIG. 7 is a bottom plan view thereof; and,
FIG. 8 is a rear perspective view thereof.

The broken lines in the drawings illustrate portions of the mobile phone that form no part of the claimed design.

1 Claim, 8 Drawing Sheets



(56)

References Cited

U.S. PATENT DOCUMENTS

D784,979 S * 4/2017 Yamazaki D14/341
D789,922 S * 6/2017 Yamazaki D14/341
D812,605 S * 3/2018 Senda D14/341
D812,606 S * 3/2018 Senda D14/341
D834,549 S * 11/2018 Cho D14/138 AD
D922,343 S * 6/2021 Bae D14/138 AB
D923,598 S * 6/2021 Lee H04M 1/0268
D14/138 AD
D926,718 S * 8/2021 Lee G06F 1/1624
D14/138 AD
D928,782 S * 8/2021 Seo D14/345
D936,625 S * 11/2021 Lee D14/138 AD
D936,626 S * 11/2021 Lee D14/138 AD
D936,627 S * 11/2021 Lee D14/138 AD

OTHER PUBLICATIONS

LG Patents Tablet-like Foldable Phone, news.softpedia.com, Nov. 26, 2018. <https://news.softpedia.com/news/lg-patents-tablet-sized-foldable-phone-that-can-snap-3d-photos-523991.shtml> (Year: 2018).*

Samsung won Two Scrollable Display based Device Patents, www.patentlymobile.com, Dec. 2, 2018. <https://www.patentlymobile.com/2018/12/samsung-won-two-scrollable-display-based-device-patents-this-week-that-could-be-a-mobile-tv-or-tablet-that-fits-in-your-pocket.html> (Year: 2018).*

Oppo shows off its own foldable phone, www.theverge.com, Feb. 25, 2019. <https://www.theverge.com/circuitbreaker/2019/2/25/18239353/oppo-foldable-phone-prototype-huawei-mate-x> (Year: 2019).*

Royole's Rollable Keyboard, www.yankodesign.com, May 8, 2019. <https://www.yankodesign.com/2019/05/08/royoles-rollable-keyboard-design-is-even-more-flexible-than-its-tablet/> (Year: 2019).*

* cited by examiner

FIG. 1

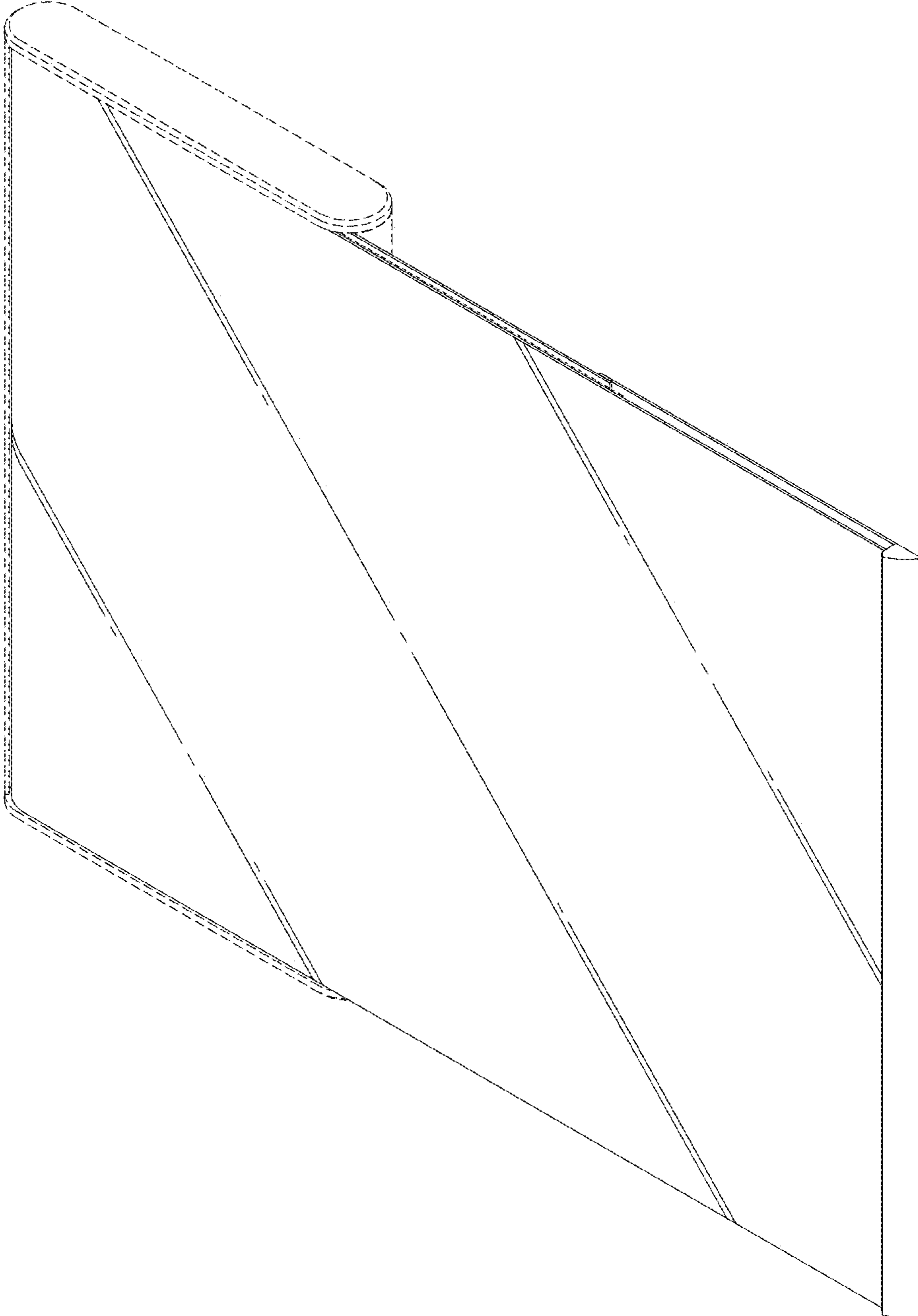


FIG. 2

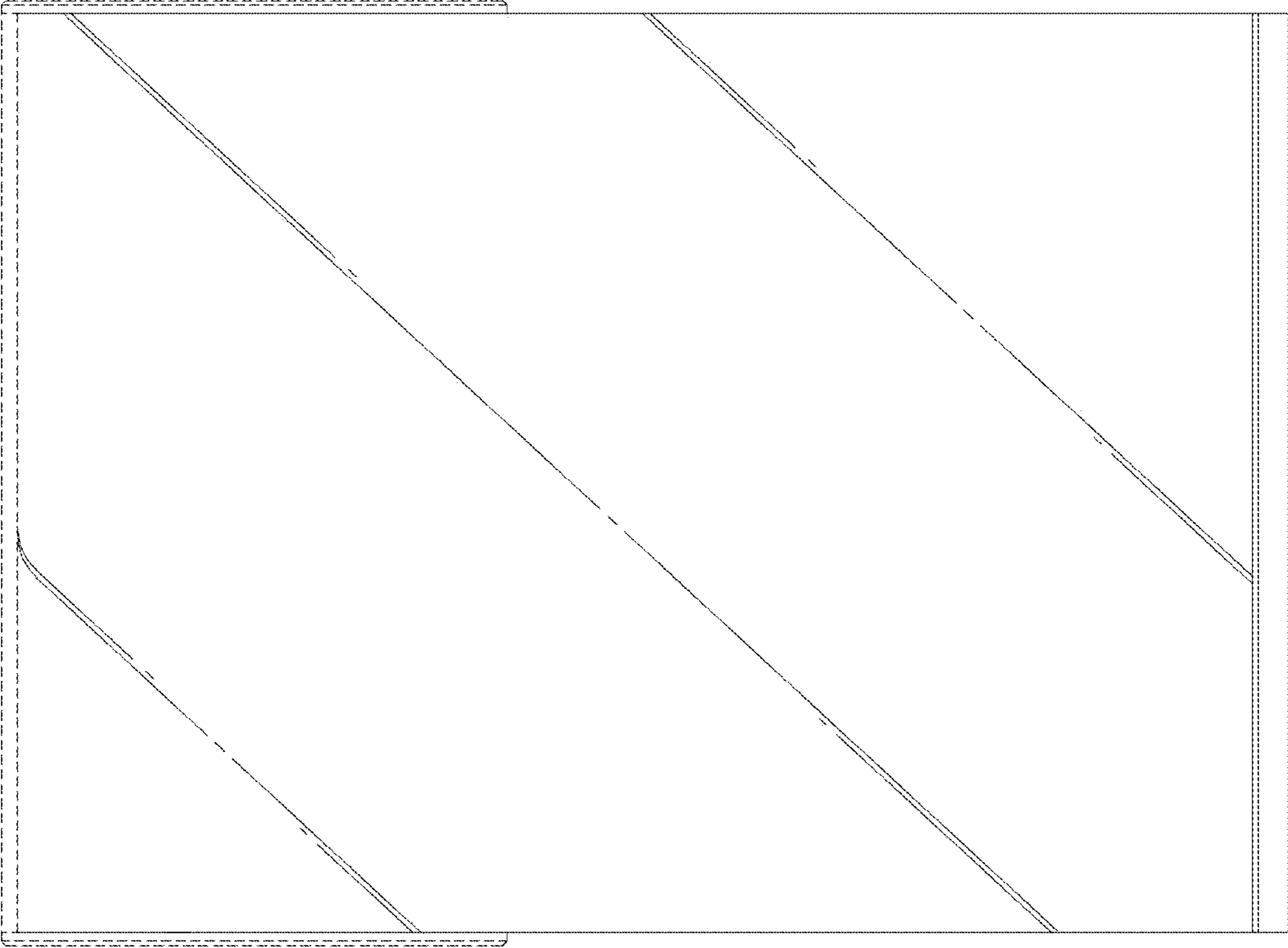


FIG. 3

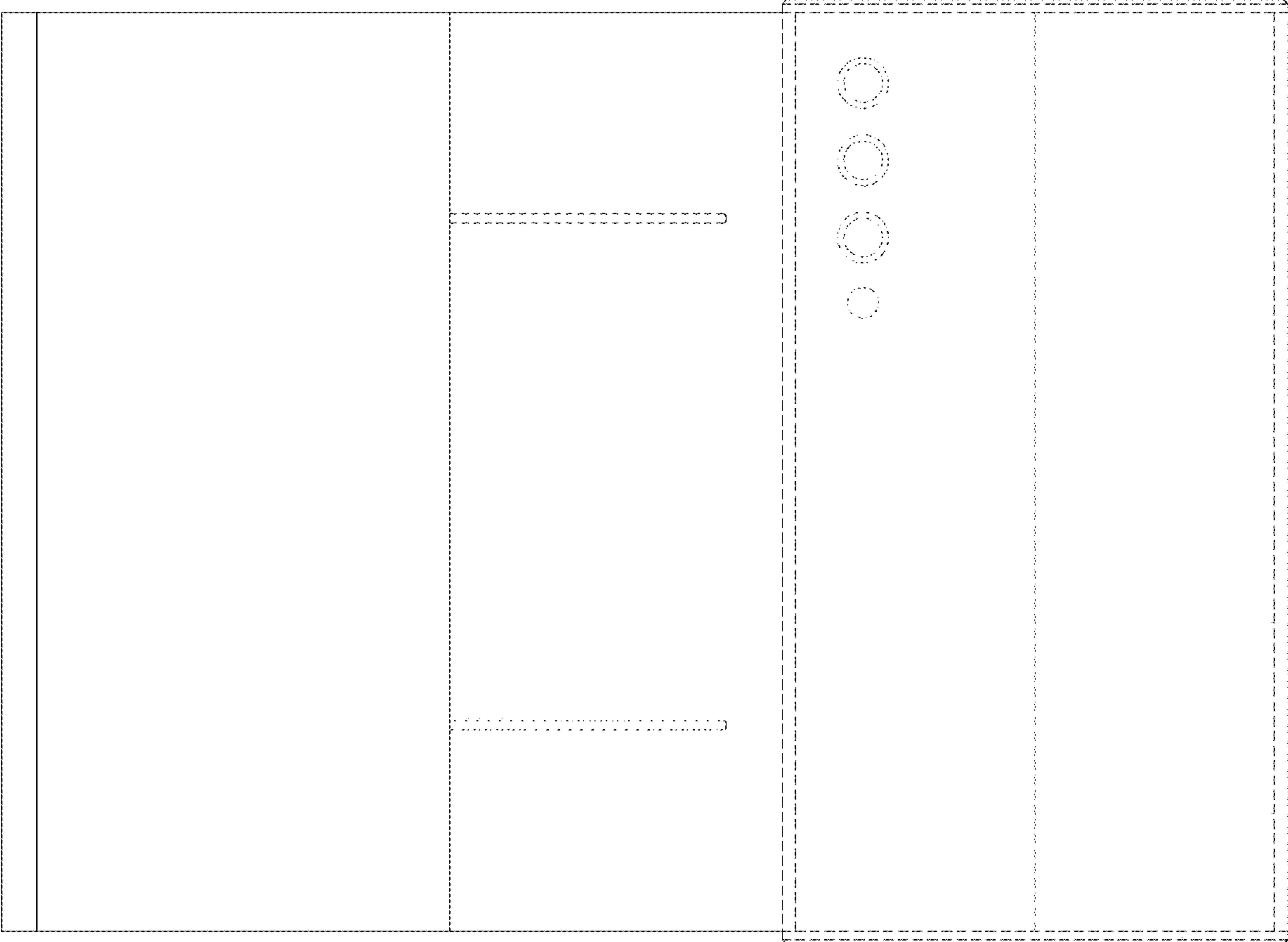


FIG. 4

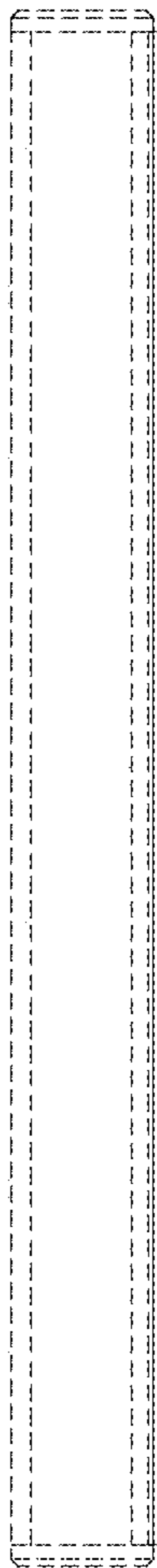


FIG. 5

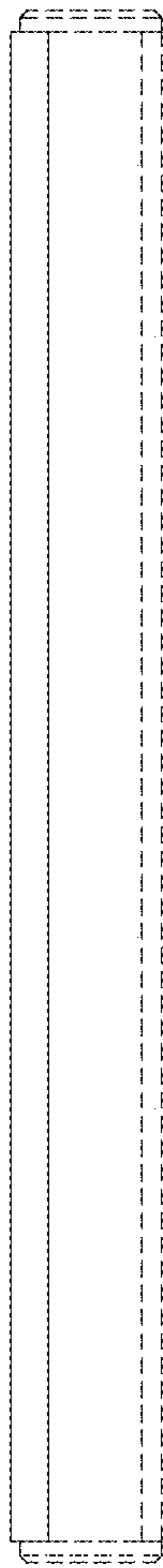


FIG. 6

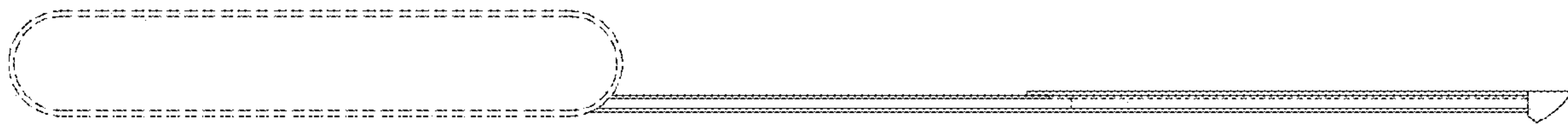


FIG. 7

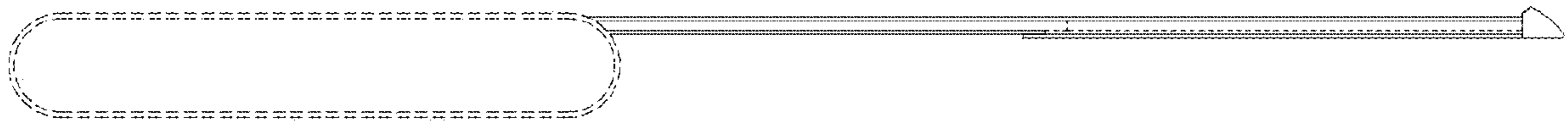


FIG. 8

