



US00D962185S

(12) **United States Design Patent**
Ruan

(10) **Patent No.:** **US D962,185 S**

(45) **Date of Patent:** **** *Aug. 30, 2022**

(54) **TELEPROMPTER**

(71) Applicant: **NINGBO GONGYI INDUSTRY AND TRADE CO., LTD.**, Ningbo (CN)

(72) Inventor: **Guchang Ruan**, Ningbo (CN)

(73) Assignee: **NINGBO GONGYI INDUSTRY AND TRADE CO., LTD.**, Ningbo (CN)

(*) Notice: This patent is subject to a terminal disclaimer.

(**) Term: **15 Years**

(21) Appl. No.: **29/798,598**

(22) Filed: **Jul. 8, 2021**

(51) **LOC (13) Cl.** **14-02**

(52) **U.S. Cl.**
USPC **D14/126**

(58) **Field of Classification Search**
USPC D14/125, 126, 127, 128, 129, 341, 336,
D14/337, 371, 372, 373, 374, 375, 376,
D14/377

CPC G06F 1/1601; G06F 1/1605; G06F 1/162;
H04H 20/38; G02B 27/14; H04N 5/225;
H04N 5/2252; H04N 5/225251; H04N
5/2254

See application file for complete search history.

(56) **References Cited**

U.S. PATENT DOCUMENTS

D533,859 S	*	12/2006	Nishii	D14/129
D611,473 S	*	3/2010	Lee	D14/371
D640,215 S	*	6/2011	Hanson-Abbott	D14/129
D871,358 S	*	12/2019	Kim	D14/126
D896,815 S	*	9/2020	Liu	D14/125
D929,988 S	*	9/2021	Carlson	D14/336
D930,604 S	*	9/2021	Pyo	D14/126
D936,027 S	*	11/2021	Pyo	D14/126
D944,795 S	*	3/2022	Xiong	D14/371

11,300,760 B2	*	4/2022	Chen	G02B 7/182
2009/0256970 A1	*	10/2009	Bilbrey	H04N 5/2222 348/722
2014/0016030 A1	*	1/2014	Vito	H04N 5/2252 348/375

(Continued)

FOREIGN PATENT DOCUMENTS

CN	209964137 U	*	1/2020	H04N 5/222
CN	113303593 A	*	8/2021	A47B 21/007
EM	008580013-0001	*	6/2021		

(Continued)

OTHER PUBLICATIONS

B&H. Link: https://www.bhphotovideo.com/c/product/1251422-REG/ikan_pt_elite_pro_rc_elite_pro_universal_large.html/?ap=y&ap=y&smp=y&smp=y&lsft=BI%253%E2%80%A6. Visited Apr. 26, 2022. ikan Elite Pro Universal Large Tablet Teleprompter with Remote. (Year: 2022).*

(Continued)

Primary Examiner — Lauren D McVey

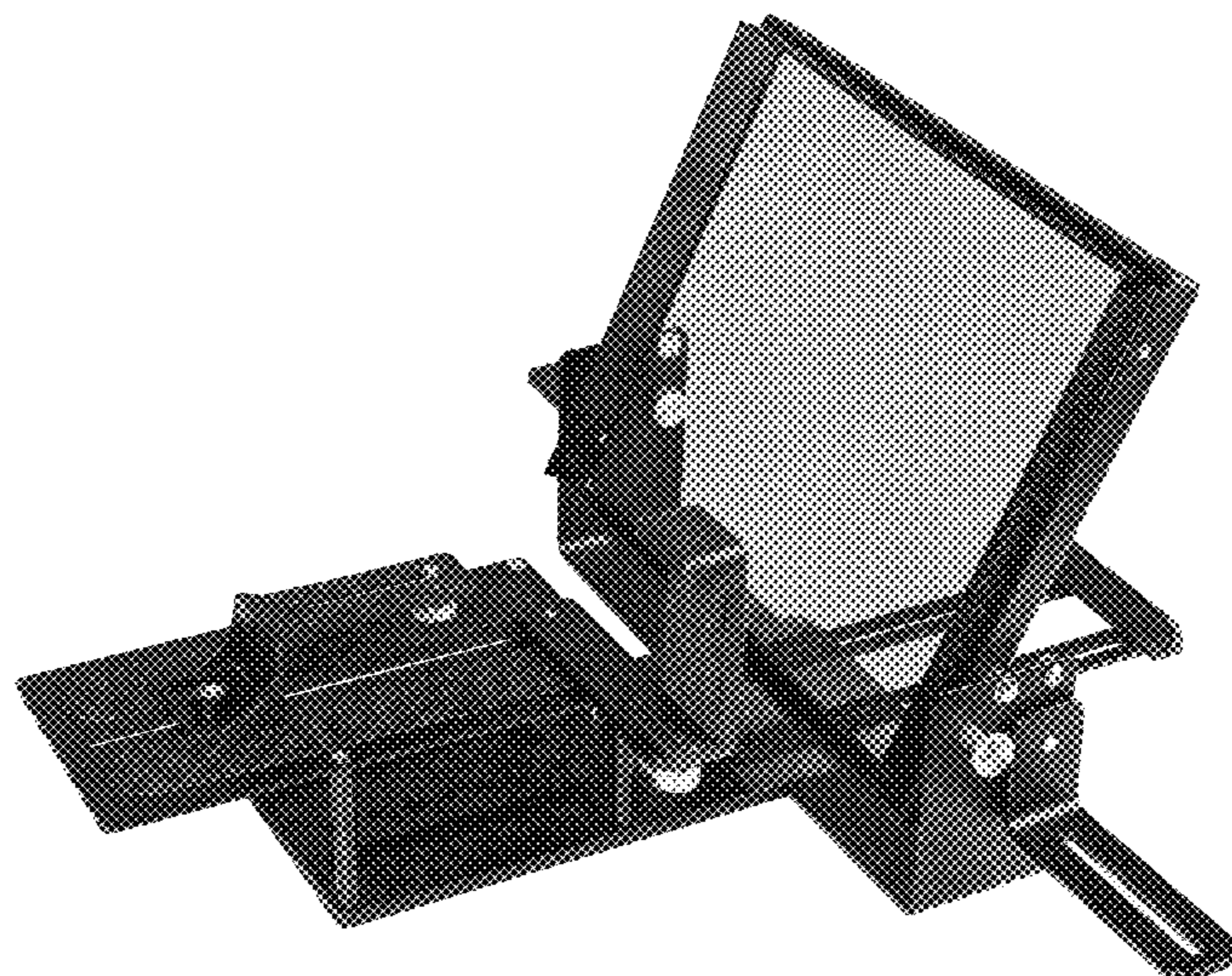
(57) **CLAIM**

The ornamental design for a teleprompter, as shown and described.

DESCRIPTION

FIG. 1 is a perspective view of a teleprompter showing my new design;
FIG. 2 is another perspective view thereof;
FIG. 3 is a front elevational view thereof;
FIG. 4 is a rear elevational view thereof;
FIG. 5 is a left side elevational view thereof;
FIG. 6 is a right side elevational view thereof;
FIG. 7 is a top plan view thereof;
FIG. 8 is a bottom plan view thereof; and,
FIG. 9 is a perspective view of the teleprompter with the cover omitted from the main body in order to show aspects of the design not otherwise apparent.

1 Claim, 9 Drawing Sheets



(56)

References Cited

U.S. PATENT DOCUMENTS

2020/0014823 A1* 1/2020 Chen G09G 3/20

FOREIGN PATENT DOCUMENTS

EM	008739700-0006	* 11/2021
EM	008739700-0008	* 11/2021
EM	008914345-0001	* 4/2022
GB	6197725	* 3/2022

OTHER PUBLICATIONS

Marcotec. Link: <https://www.marcotec-shop.com/en/autocue-starter-series-dslr-teleprompter-package.html>. Visited Apr. 26, 2022. Visited Apr. 26, 2022. Autocue Starter Series DSLR Teleprompter Package. (Year: 2022).*

Camcor. Link: <https://www.camcor.com/cat/id=1601380574>. Visited May 3, 2022. 15 High Bright Beam Splitter Teleprompter with Hard Case. (Year: 2022).*

Amazon. Link: https://www.amazon.com/Neewer-Teleprompter-Smartphone-Compatible-Streaming/dp/B08W2JSMHR/ref=sr_1_4?crid=G062B4R3X4Y0&keywords=B08W2JSMHR&qid=1651608407&s=electronics&sprefix=b08w2jsmhr%2Celectronics%2C45&sr=1-4. Feb. 5, 2021. Neewer X12 Aluminum Alloy Teleprompter with Remote (Year: 2021).*

* cited by examiner

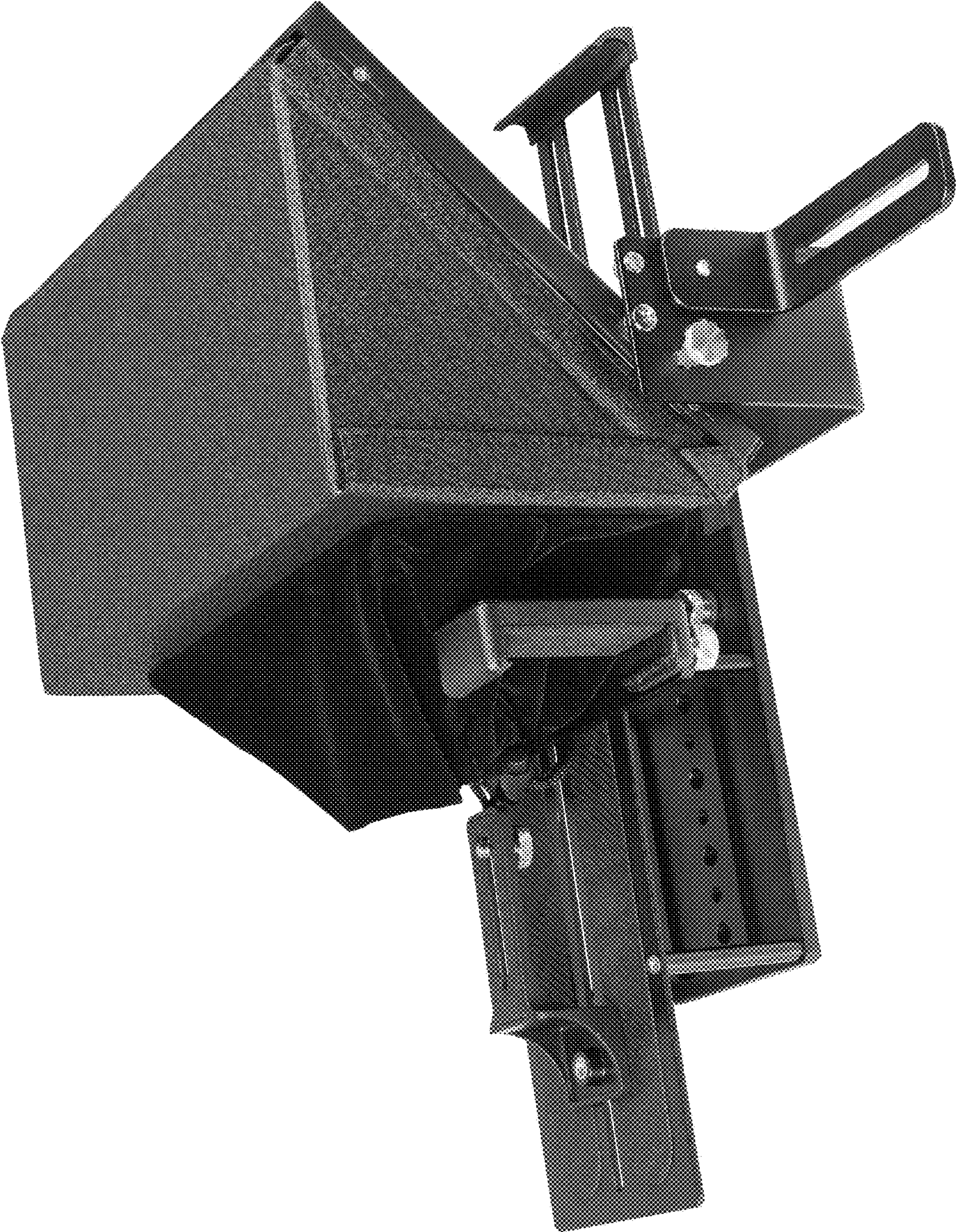


FIG. 1

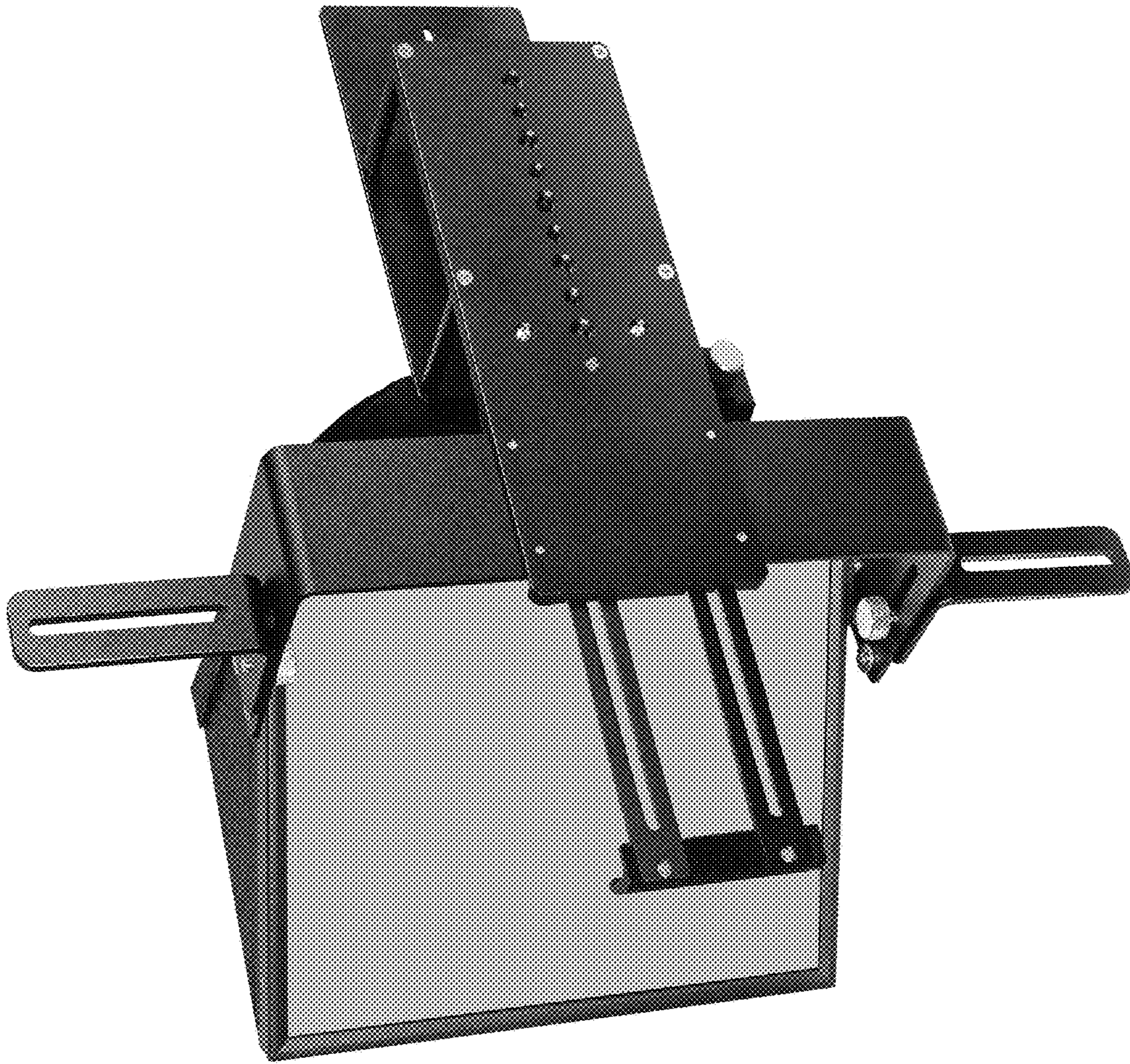


FIG. 2

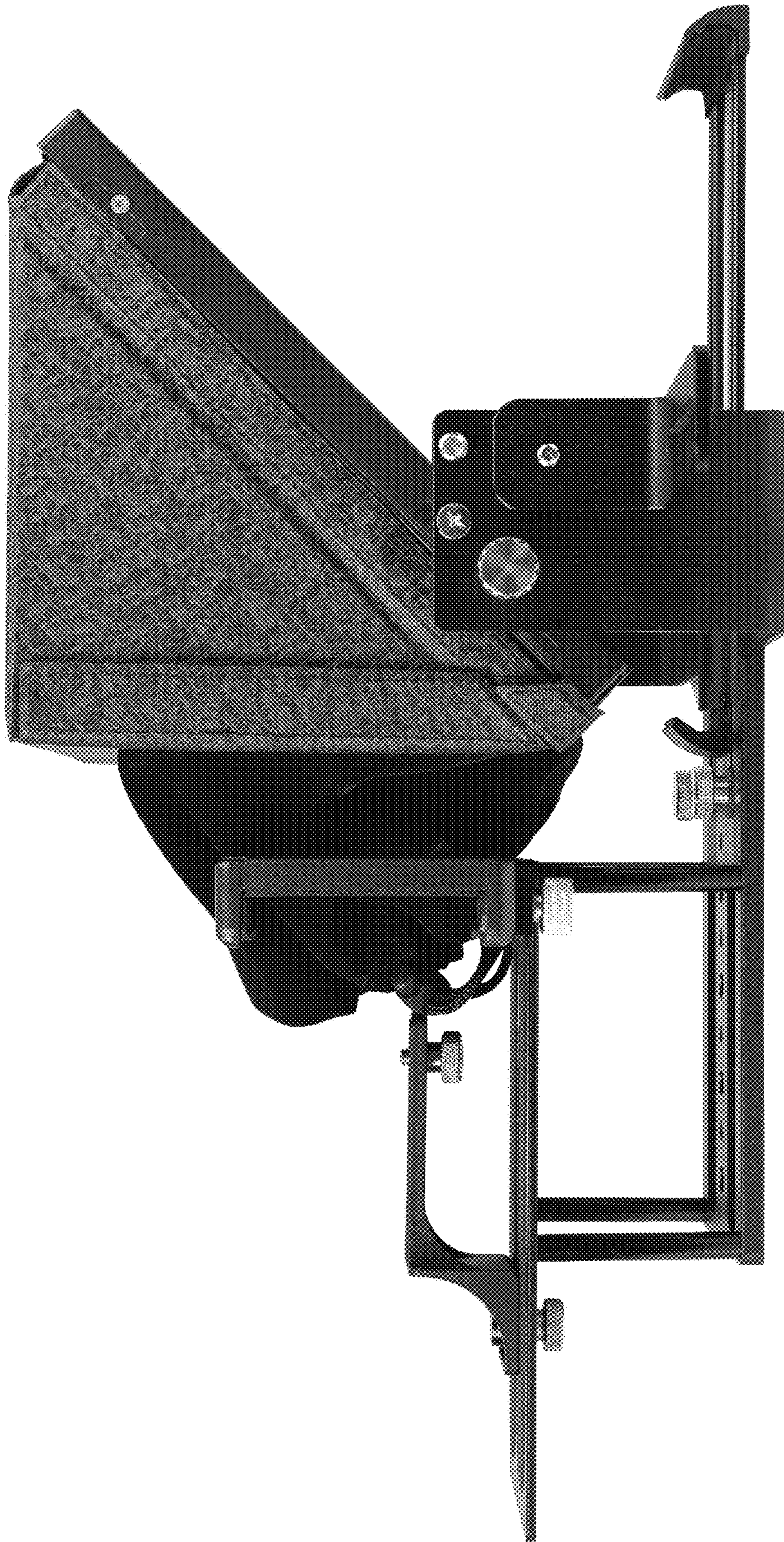


FIG. 3



FIG. 4



FIG. 5

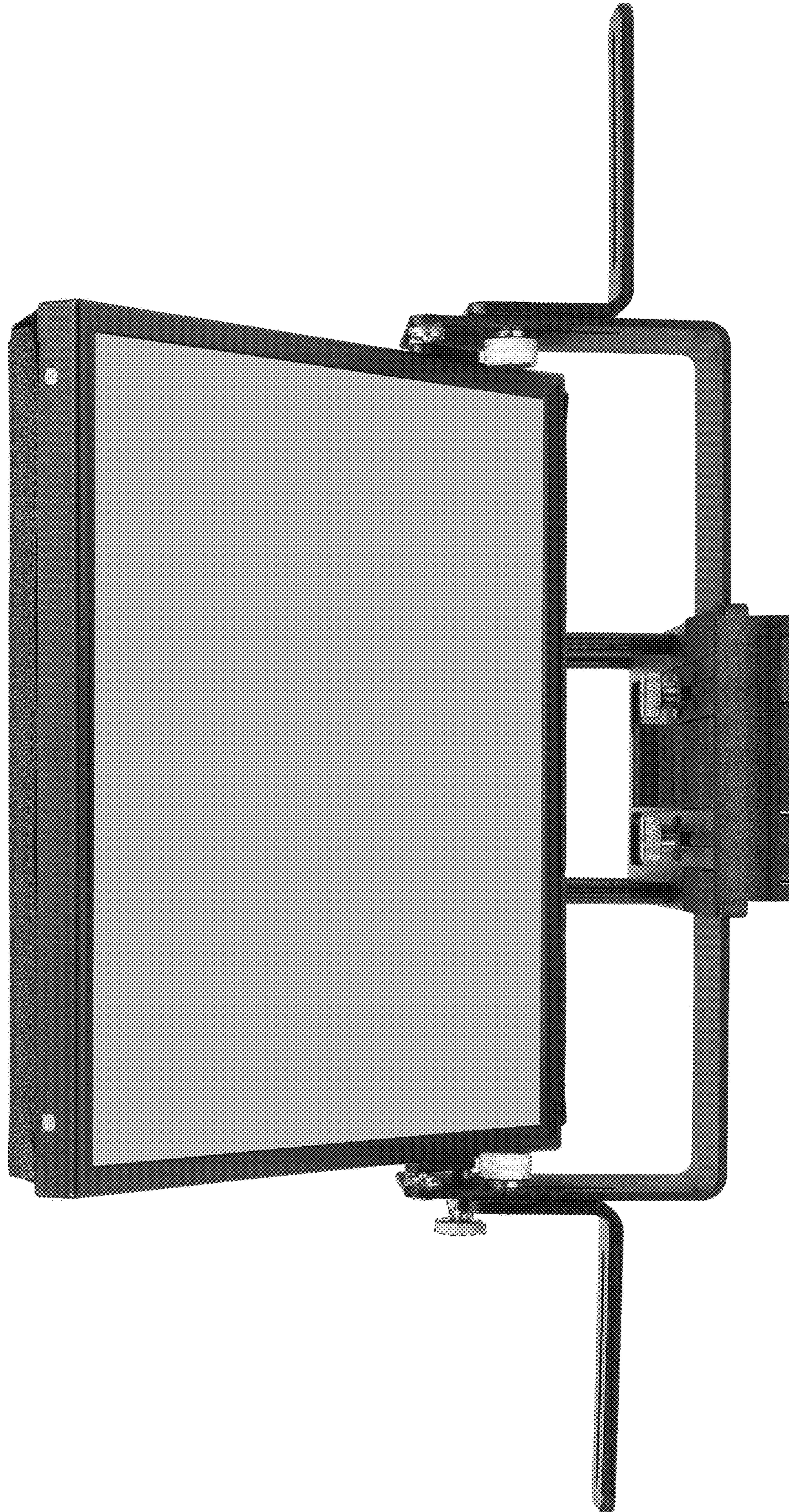


FIG. 6

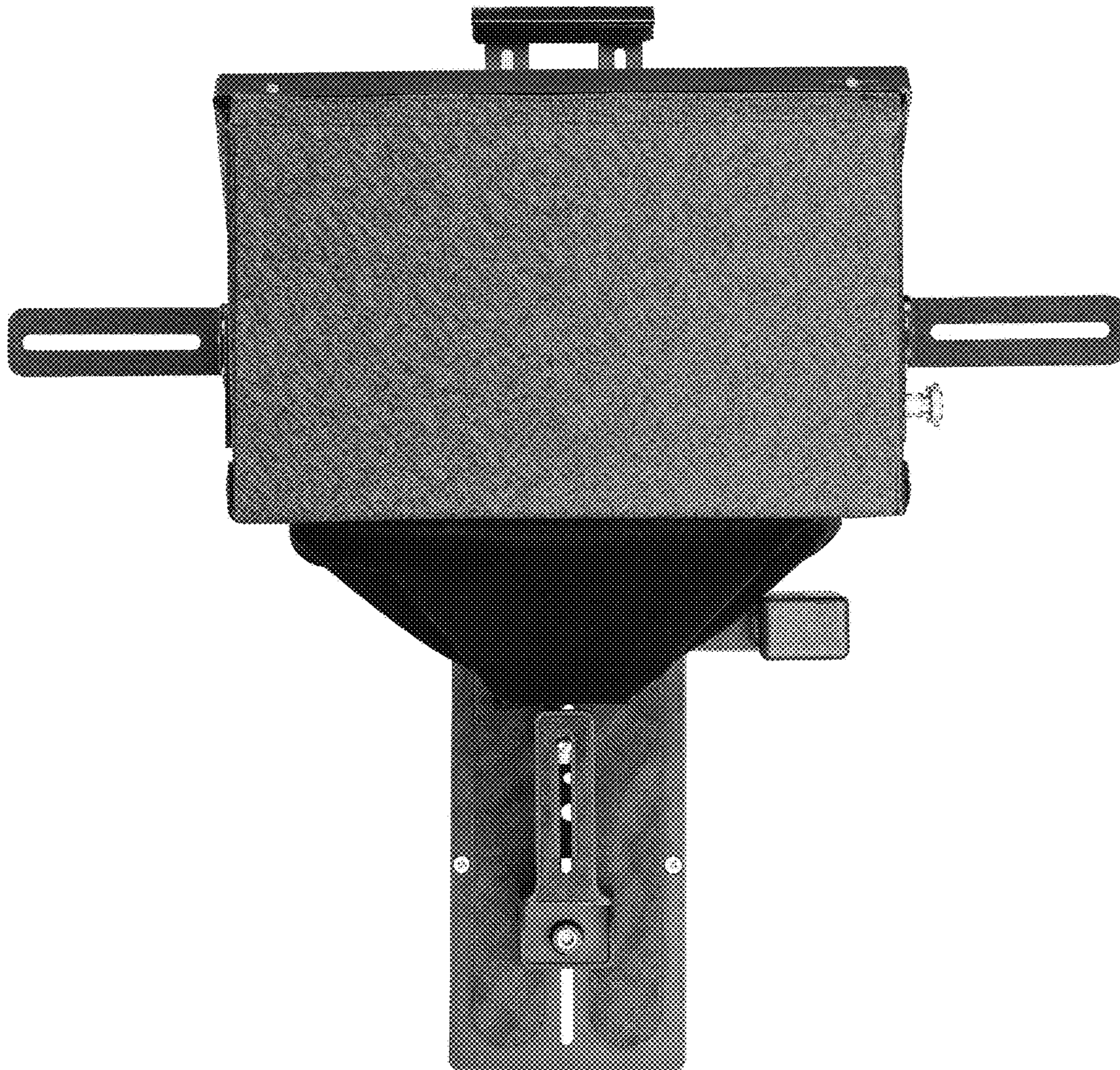


FIG. 7

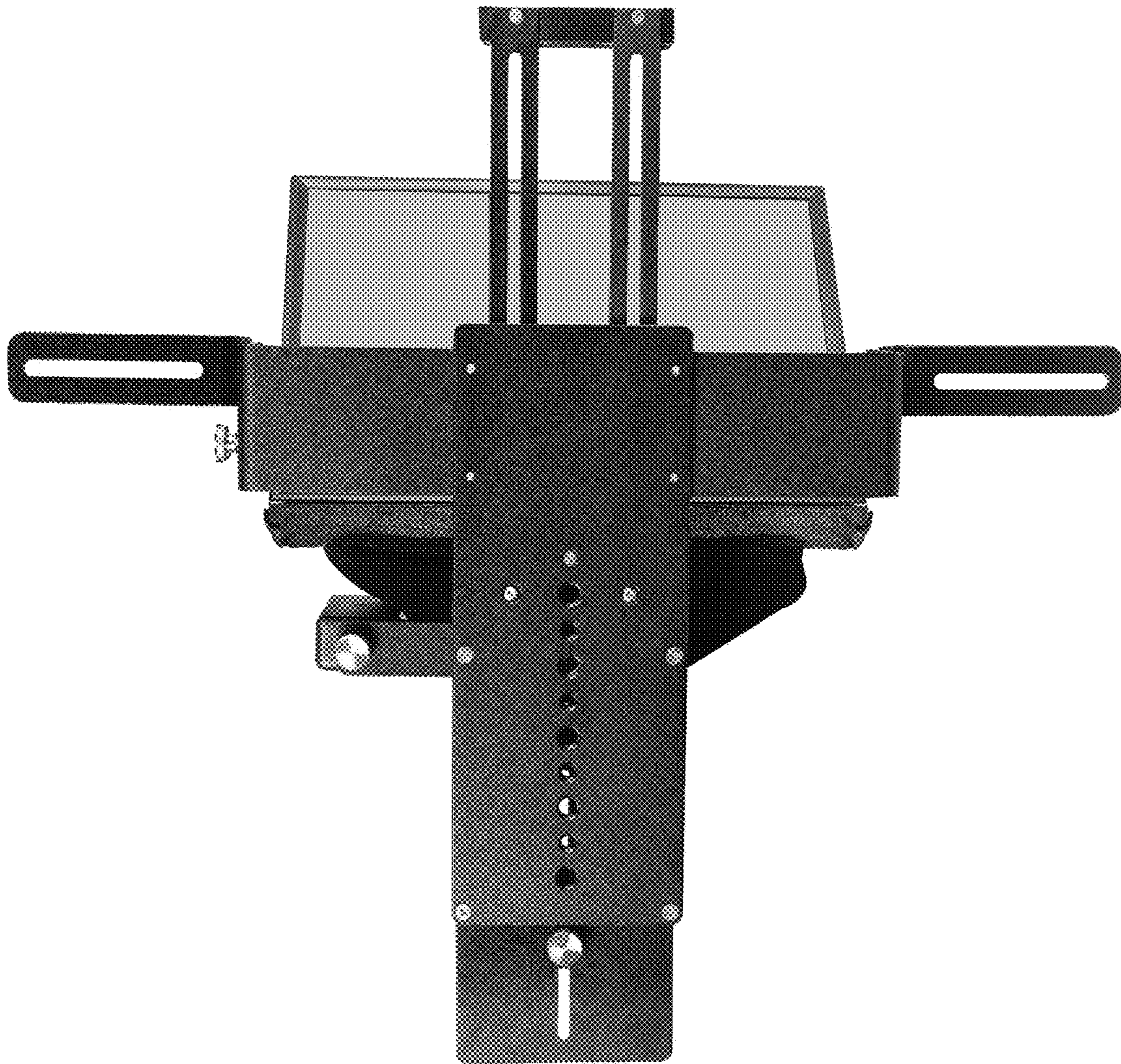


FIG. 8



FIG. 9