



US00D962181S

(12) **United States Design Patent**
Zhang

(10) **Patent No.:** **US D962,181 S**

(45) **Date of Patent:** **** Aug. 30, 2022**

(54) **REMOTE CONTROL**

(71) Applicant: **Xianren Zhang**, Shenzhen (CN)

(72) Inventor: **Xianren Zhang**, Shenzhen (CN)

(**) Term: **15 Years**

(21) Appl. No.: **29/801,602**

(22) Filed: **Jul. 29, 2021**

(51) **LOC (13) Cl.** **14-03**

(52) **U.S. Cl.**
USPC **D13/168**

(58) **Field of Classification Search**
USPC D13/162, 168; D14/218
CPC G07C 9/00944; G08C 17/00; G08C 17/02;
H04B 1/202; H01H 9/02; H01H 9/0214;
H01H 9/0235; H01H 9/0242
See application file for complete search history.

(56) **References Cited**

U.S. PATENT DOCUMENTS

D212,362 S *	10/1968	Noyes	D14/225
D422,268 S *	4/2000	Tsui	D13/168
D514,526 S *	2/2006	Chen	D13/168
D549,665 S *	8/2007	Chen	D13/168
D584,694 S *	1/2009	Greitzke	D13/168
D589,963 S *	4/2009	Sheba	D14/496
D624,115 S *	9/2010	Ausems	G07F 7/0886
				D18/4.6
D659,565 S *	5/2012	Bowman	D10/70

D670,255 S *	11/2012	Clark	D13/168
D691,567 S *	10/2013	Knudsen	D13/168
D691,970 S *	10/2013	Wu	D13/168
D790,536 S *	6/2017	Kitade	D14/341
D793,969 S *	8/2017	Couture	D13/168
D818,971 S	5/2018	Peng		
D844,607 S *	4/2019	Fredette	D18/4.6
D856,291 S *	8/2019	Sun	D14/125
D883,247 S *	5/2020	Jensen	D14/147
D894,183 S *	8/2020	Min	D14/384
D895,558 S *	9/2020	Kim	D13/168
D908,157 S *	1/2021	Sun	D14/138 G

* cited by examiner

Primary Examiner — Selina Sikder

(74) *Attorney, Agent, or Firm* — Justin Lampel

(57) **CLAIM**

The ornamental design for a remote control, as shown and described.

DESCRIPTION

FIG. 1 is a perspective view of a remote control showing the claimed design;

FIG. 2 is a top plan view thereof;

FIG. 3 is a left side view thereof;

FIG. 4 is a front elevational view thereof;

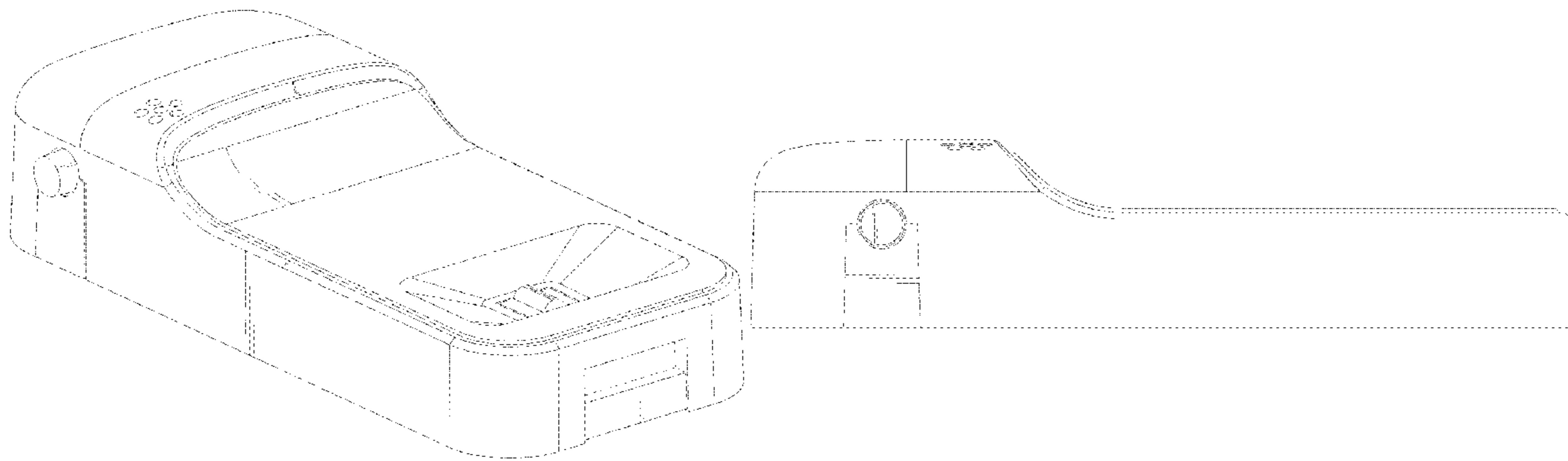
FIG. 5 is a right side view thereof;

FIG. 6 is a rear elevational view thereof; and,

FIG. 7 is a bottom plan view thereof.

The broken lines depict portions of the remote control that form no part of the claimed design.

1 Claim, 7 Drawing Sheets



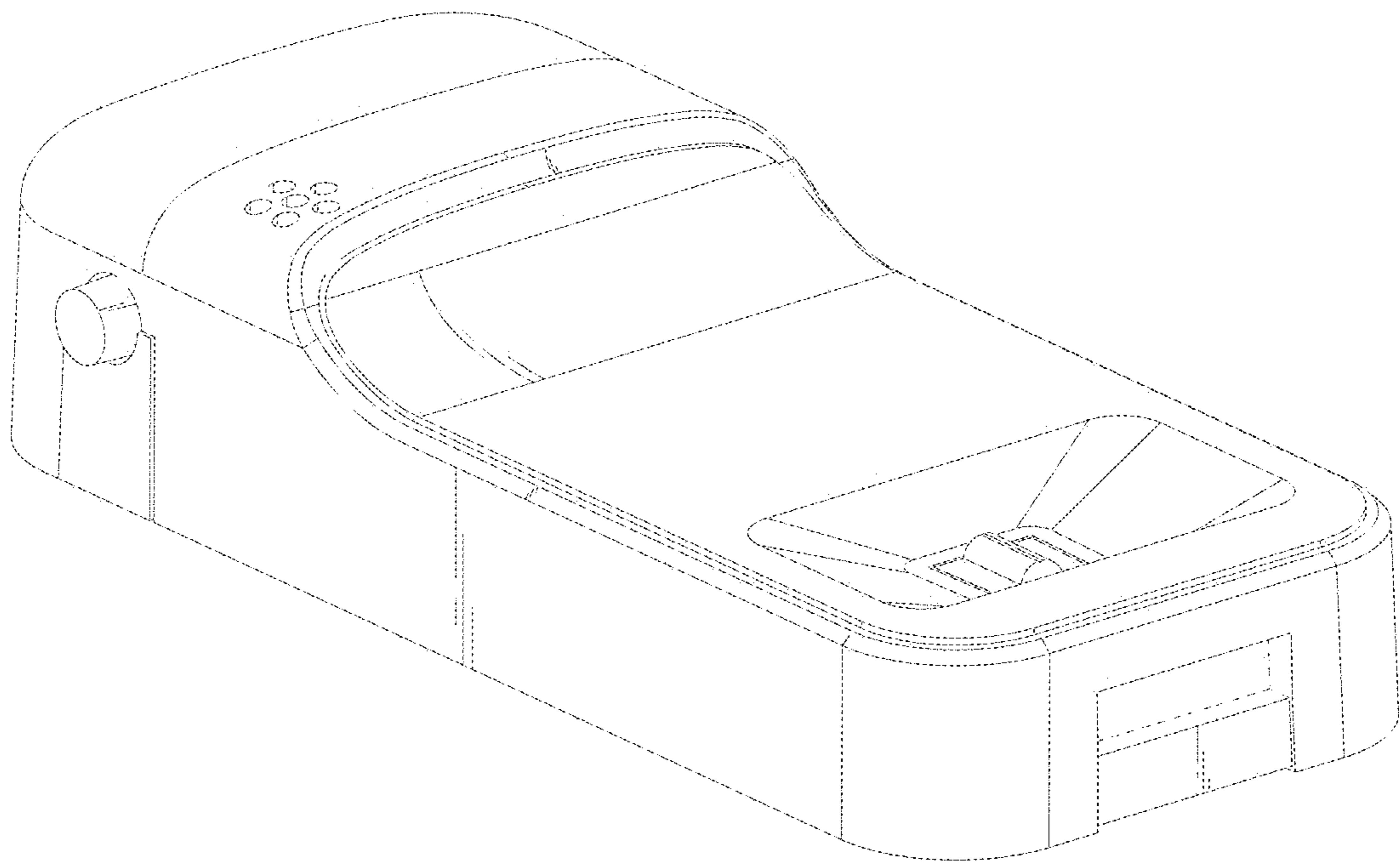


FIG. 1

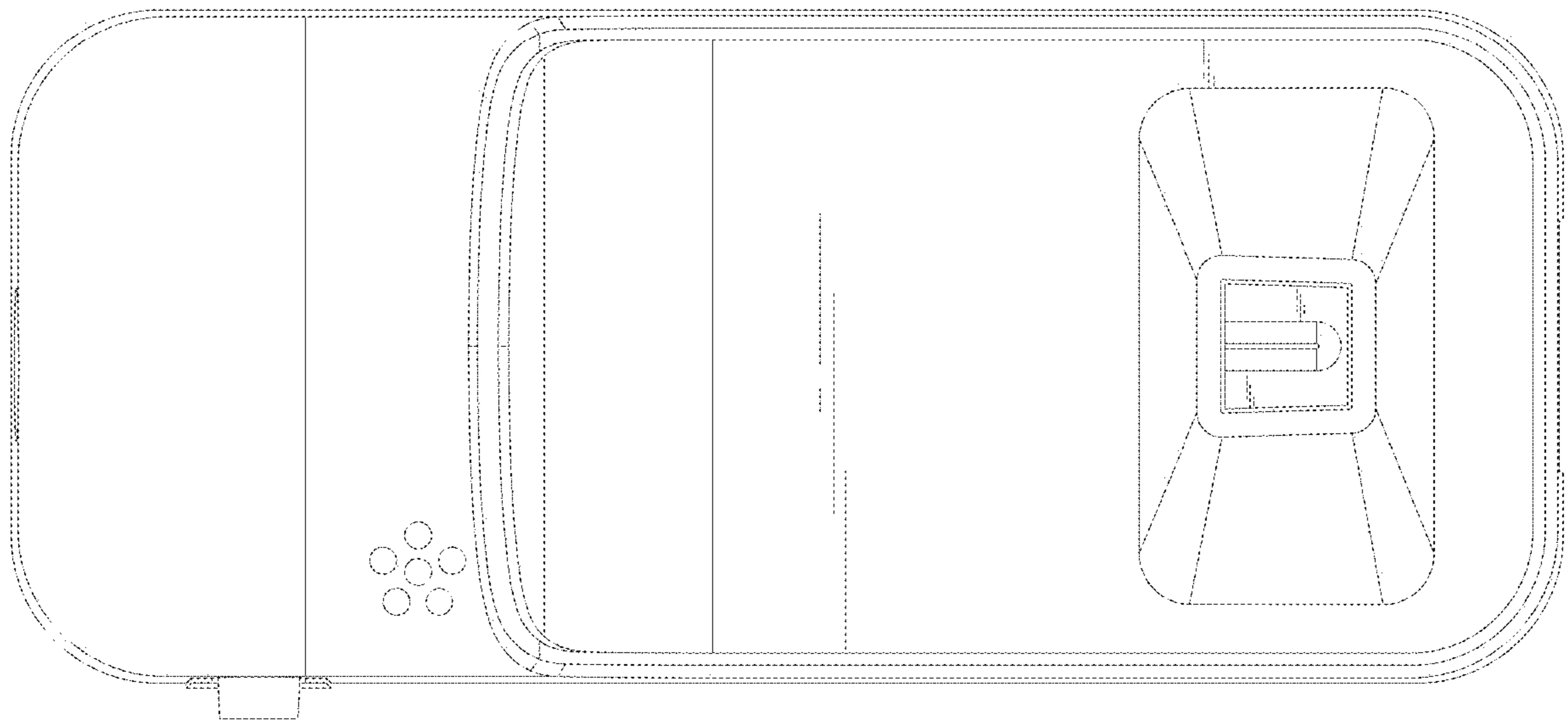


FIG. 2

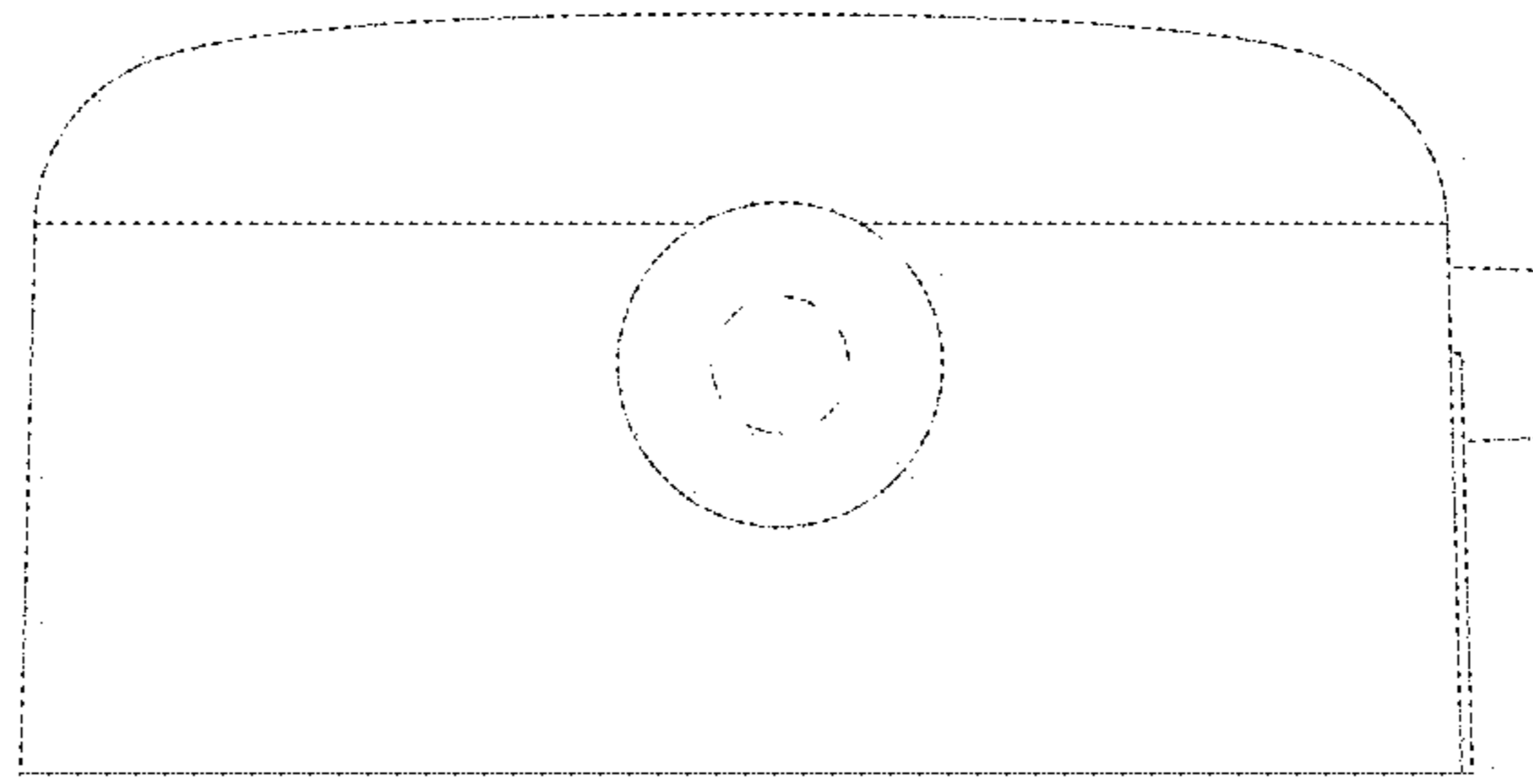


FIG. 3

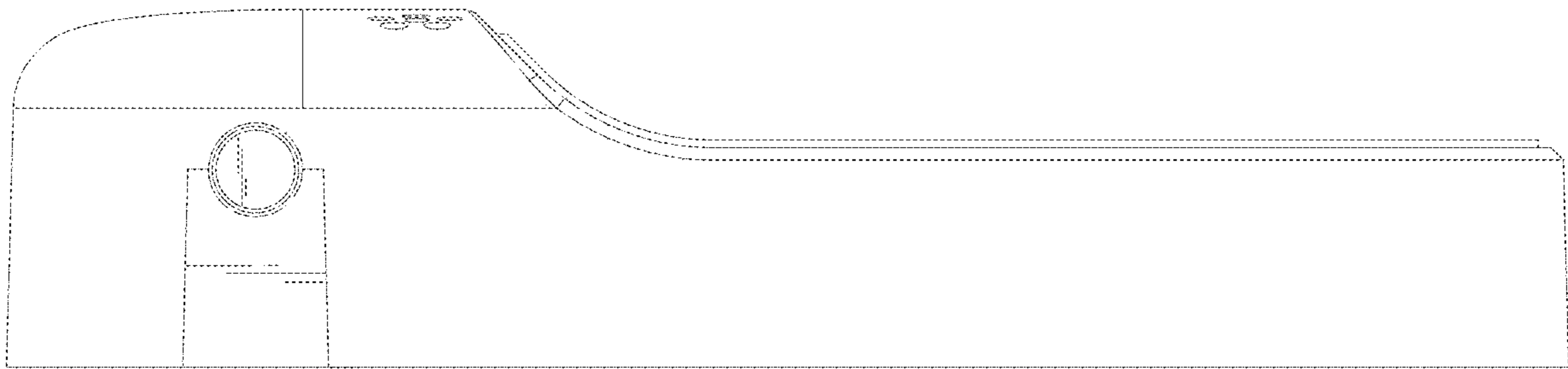


FIG. 4

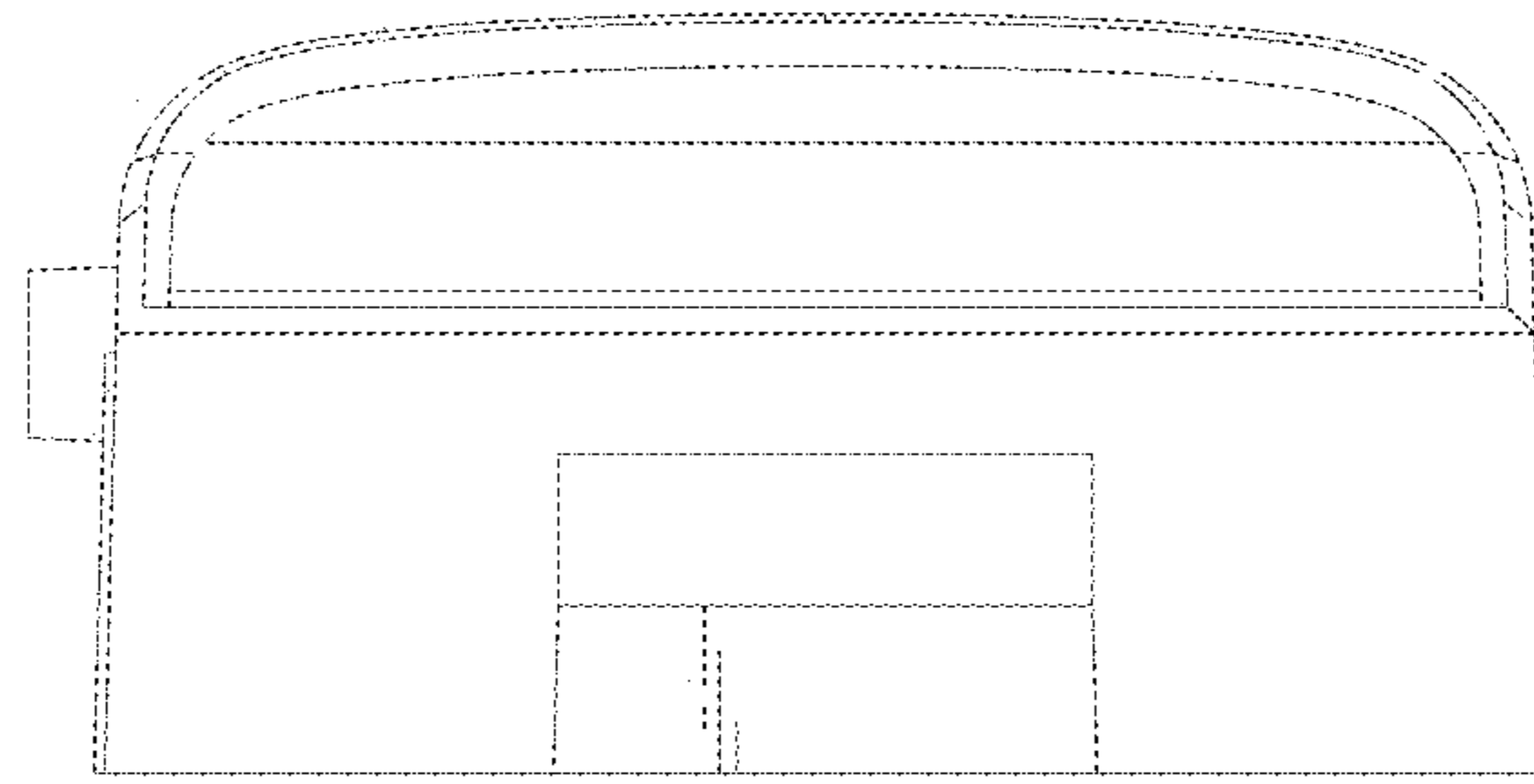


FIG. 5

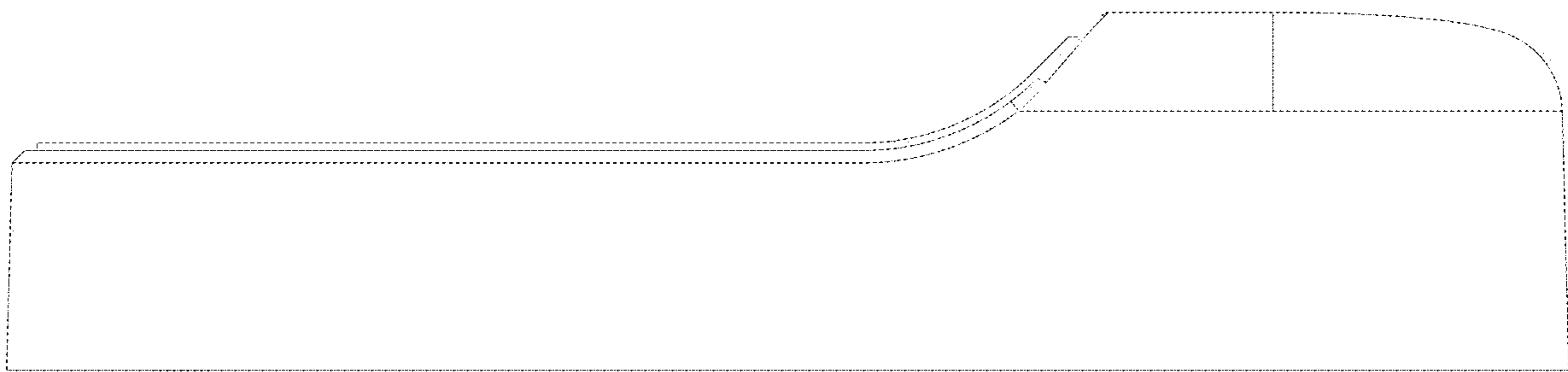


FIG.6



FIG. 7