

US00D962179S

(12) **United States Design Patent**
Kwon et al.

(10) **Patent No.:** **US D962,179 S**
(45) **Date of Patent:** **** Aug. 30, 2022**

(54) **LOAD CONTROLLER**

(71) Applicant: **Crestron Electronics, Inc.**, Rockleigh, NJ (US)

(72) Inventors: **Peter Hyunjoon Kwon**, Alpine, NJ (US); **Agnieszka Libson**, Upper Saddle River, NJ (US)

(73) Assignee: **Crestron Electronics, Inc.**, Rockleigh, NJ (US)

(**) Term: **15 Years**

(21) Appl. No.: **29/770,487**

(22) Filed: **Feb. 12, 2021**

(51) **LOC (13) Cl.** **13-03**

(52) **U.S. Cl.**
USPC **D13/160**; D13/162

(58) **Field of Classification Search**
USPC D13/110, 152, 159, 160, 162, 168;
D14/155, 217, 218, 240, 355, 356
CPC G08C 17/00; G08C 17/02; G08C 19/00;
G08C 19/12; G08C 19/28; G08C 23/04;
H01H 9/0214; H01H 9/0235; H01H
9/0242; H04B 1/202; H04L 12/6418;
H05B 45/00; H05B 1/02

See application file for complete search history.

(56) **References Cited**

U.S. PATENT DOCUMENTS

4,620,061	A	10/1986	Appleton	
D358,368	S *	5/1995	Howard	D13/160
D596,626	S *	7/2009	Andre	D14/240
D630,593	S *	1/2011	Clymer	D13/160
D646,640	S *	10/2011	Clymer	D13/160
D654,879	S *	2/2012	Li	D13/170
D722,975	S	2/2015	Debone et al.	
D739,359	S	9/2015	Creasman	
D740,262	S *	10/2015	Hasegawa	D14/240
9,386,720	B2 *	7/2016	Yang	H05K 7/1432
D768,607	S *	10/2016	Altonen	D14/240

D770,984	S	11/2016	Leung	
D778,241	S	2/2017	Holbrook et al.	
D785,572	S	5/2017	Abraham et al.	
9,890,931	B2 *	2/2018	Clark	H05B 47/16
D815,070	S *	4/2018	Elmieh	D14/240
10,009,979	B2	6/2018	Weber et al.	
D832,210	S *	10/2018	Janos	D13/110

(Continued)

OTHER PUBLICATIONS

Watt Stopper LMRC-212 Digital 2-Relay Room Controller, Jan. 1, 2014; 2 pgs; https://www.amazon.com/Wattstopper-LMRC-212-Digital-Dimming-Controller/dp/B00JV3FHT6/ref=asc_df_B00JV3FHT6/?tag=hyprod-20&linkCode=df0&hvadid=242027088707&hvpos=&hvnetw=g&hvrnd=8831656750915974689&hvpone=&hvtwo=&hvqmt=&hvdev=c&hvdvcmld=&hvlo.*

(Continued)

Primary Examiner — Selina Sikder

(74) *Attorney, Agent, or Firm* — Crestron Electronics, Inc.

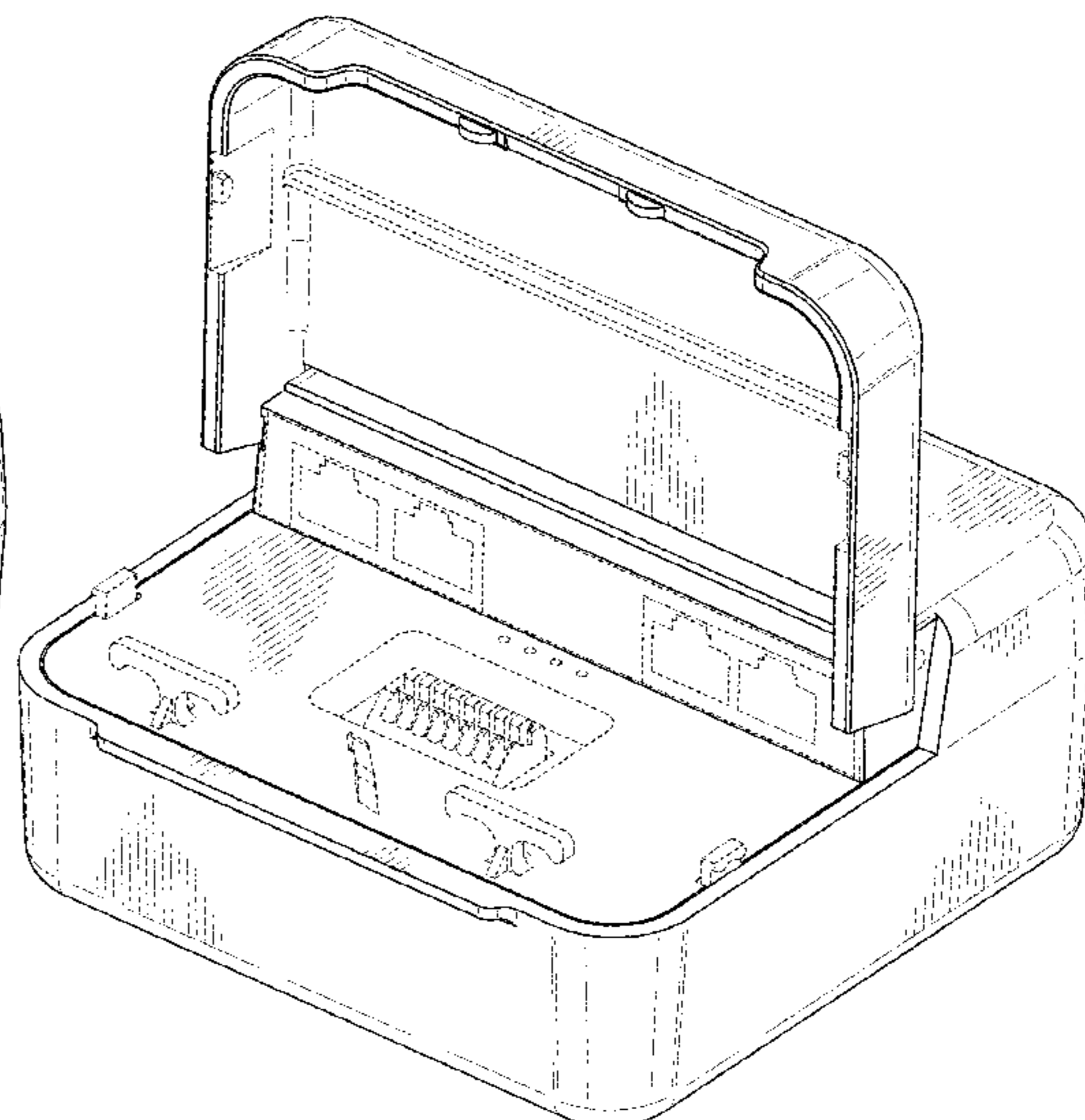
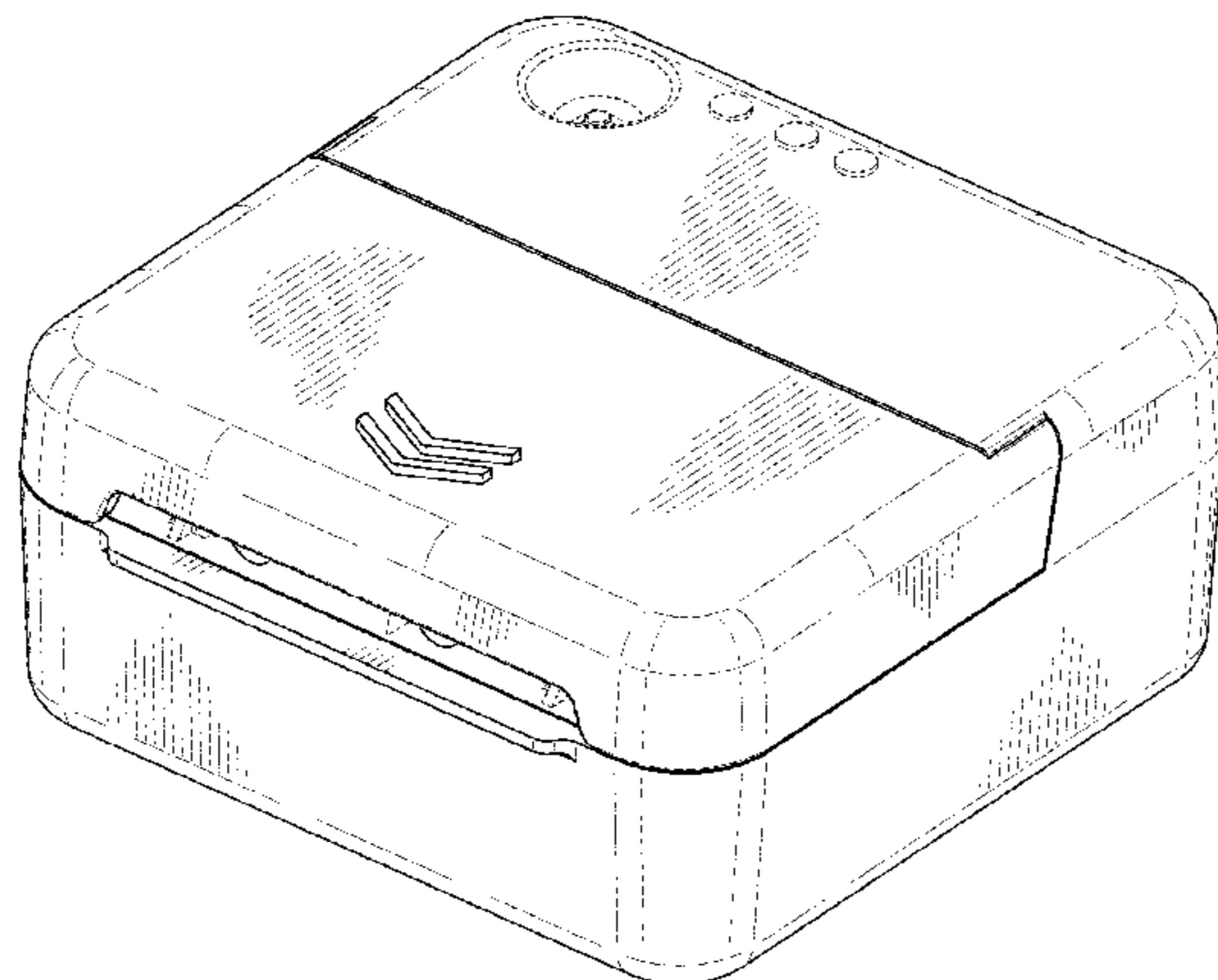
(57) **CLAIM**

The ornamental design for a load controller, as shown and described.

DESCRIPTION

FIG. 1 shows a front perspective view of a load controller. FIG. 2 shows a rear perspective view of the load controller. FIG. 3 shows a front perspective view of the load controller with its cover in an opened position. FIG. 4 shows a top view of the load controller. FIG. 5 shows a front view of the load controller. FIG. 6 shows a rear view of the load controller. FIG. 7 shows a left side view of the load controller. FIG. 8 shows a right side view of the load controller; and, FIG. 9 shows a bottom view of the load controller. The broken lines in the figures depict portions of the load controller that form no part of the claimed design.

1 Claim, 9 Drawing Sheets



(56)

References Cited

U.S. PATENT DOCUMENTS

D836,619	S	*	12/2018	Yokoyama	D14/242
10,299,350	B2		5/2019	Weber et al.		
D877,128	S	*	3/2020	Senba	D14/258
D881,048	S	*	4/2020	Wheaton	D10/70
D886,453	S	*	6/2020	Wright	D3/294
2003/0107328	A1	*	6/2003	Ling	H05B 41/00 315/276
2013/0181630	A1	*	7/2013	Taipale	H05B 47/11 315/210
2016/0323980	A1	*	11/2016	Weber	H05B 47/175

OTHER PUBLICATIONS

LMPL-101 Digital Plug Load Room Controller; Feb. 2010; 2 pgs.; <http://www.kele.com/Catalog/12%20Lighting%20Controls/PDFs/ROOM%20CONTROLLER%20LMPL-101.pdf>.*

AirLink 20AMP Plug Load Controller, 2018; 8 pgs.; <https://www.lsicorp.com/wp-content/uploads/documents/products/AL-20A-PLC-20AMP-plug-load-controller-specsheet.pdf>.*

Crestron, Spec Sheet_ZUMNET-JBOX-16A-LV; Aug. 12, 2020; 3 pgs.; https://cf-store.widencdn.net/crestron/c/8/7/c870a37d-966c-4f76-80c3-258c6acce6f4.pdf?response-content-disposition=inline%3B%20filename%3D%22ss_ZUMNETJBOX16ALV.pdf%22%3B%20filename%3DUTF-8%27%27ss_ZUMNET%25E2%2580%2591JBOX%25E2%2580%259116A%25E2%2580%2591.*

Crestron, Spec Sheet_ZUMMESH-JBOX Series; Feb. 26, 2020; 5 pgs.; <https://cdn-docs.av-iq.com/dataSheet/ZUMMESH-JBOX-16A-LV-EM.pdf>.*

Lutron Electronics Co., Inc., PowPak® 20A Relay Module, Product Brochure, Apr. 2014.

EcoSense Lighting Inc., Linear Dimming Control Module, Product Brochure, 2014.

Hubbell Incorporated, Product Brochure, H-MOSS® Occupancy Sensors WL-Series Wireless Controls—Control Unit, WLDHM016 2/12.

Smarthome, INSTEON® 240V 30 Amp Load Controller, Product Brochure, Rev Apr. 28, 2011.

Digital Plug Load Controller 2 0A 120V, 60Hz, On/Off, LMPL-101, Wattstopper, Legrand, Feb. 2019, available at www.legrand.us/lighting-controls-and-systems/digital-lighting-management/load-controllers/digital-plug-load-controller-on-off-single-relay/p/lmpl-101.

Universal Dimming Room Controller 1 channel, 16 amperes, LMRC-221, Wattstopper, Legrand, Feb. 2019, available at legrand.us/lighting-controls-and-systems/power-packs-and-load-controllers/room-controllers/universal-dimming-digital-room-controller-16a-120v-single-relay/p/lmrc-221.

DLM Room Controller, 2 Relay, KO, 0-10v, 10A, LMRC-112, Wattstopper, Legrand, Feb. 2019, available at legrand.us/lighting-controls-and-systems/digital-lighting-management/load-controllers/rc-2r-ko-0-10v-10a-120-277-mon/p/lmrc-112.

* cited by examiner

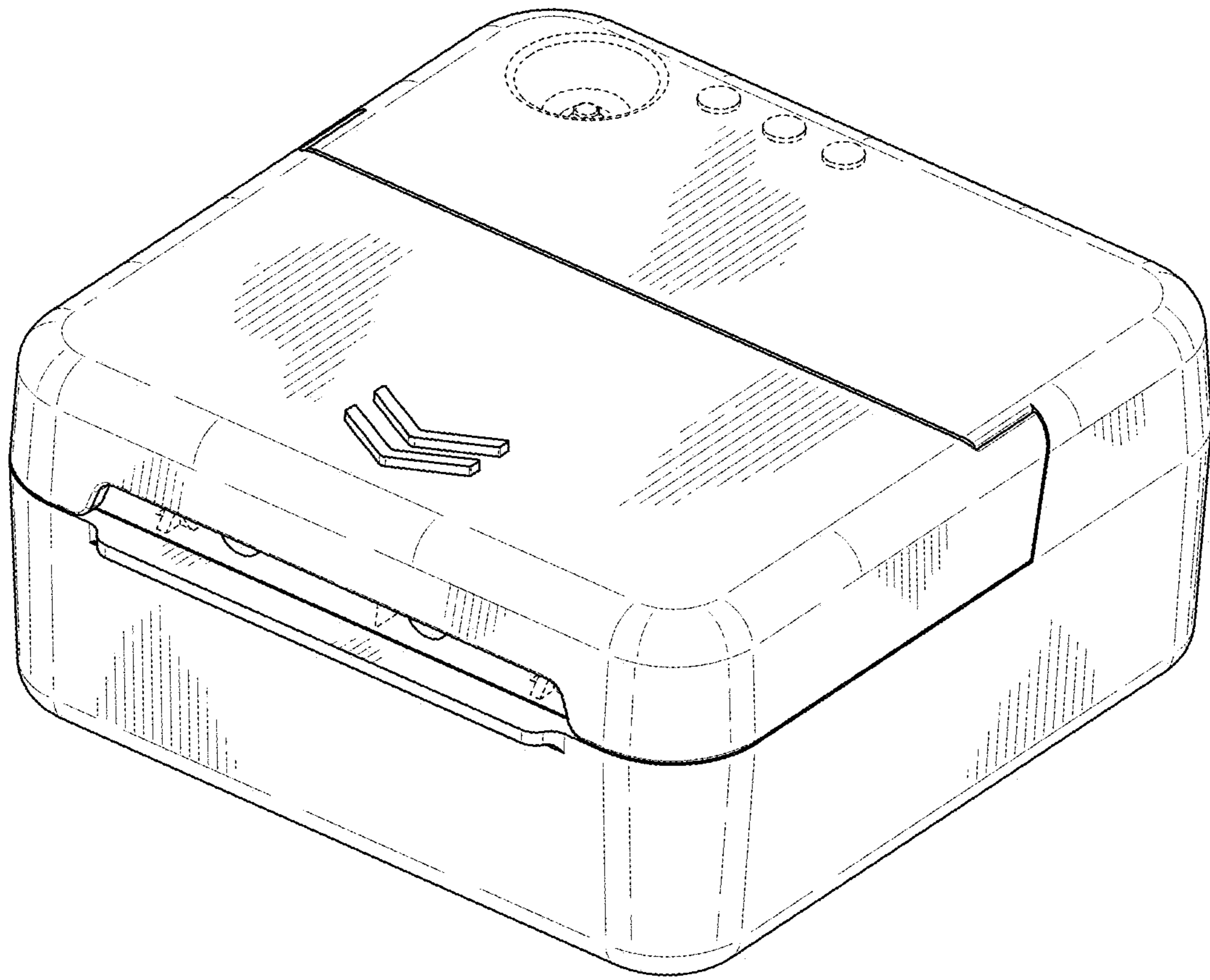


FIG. 1

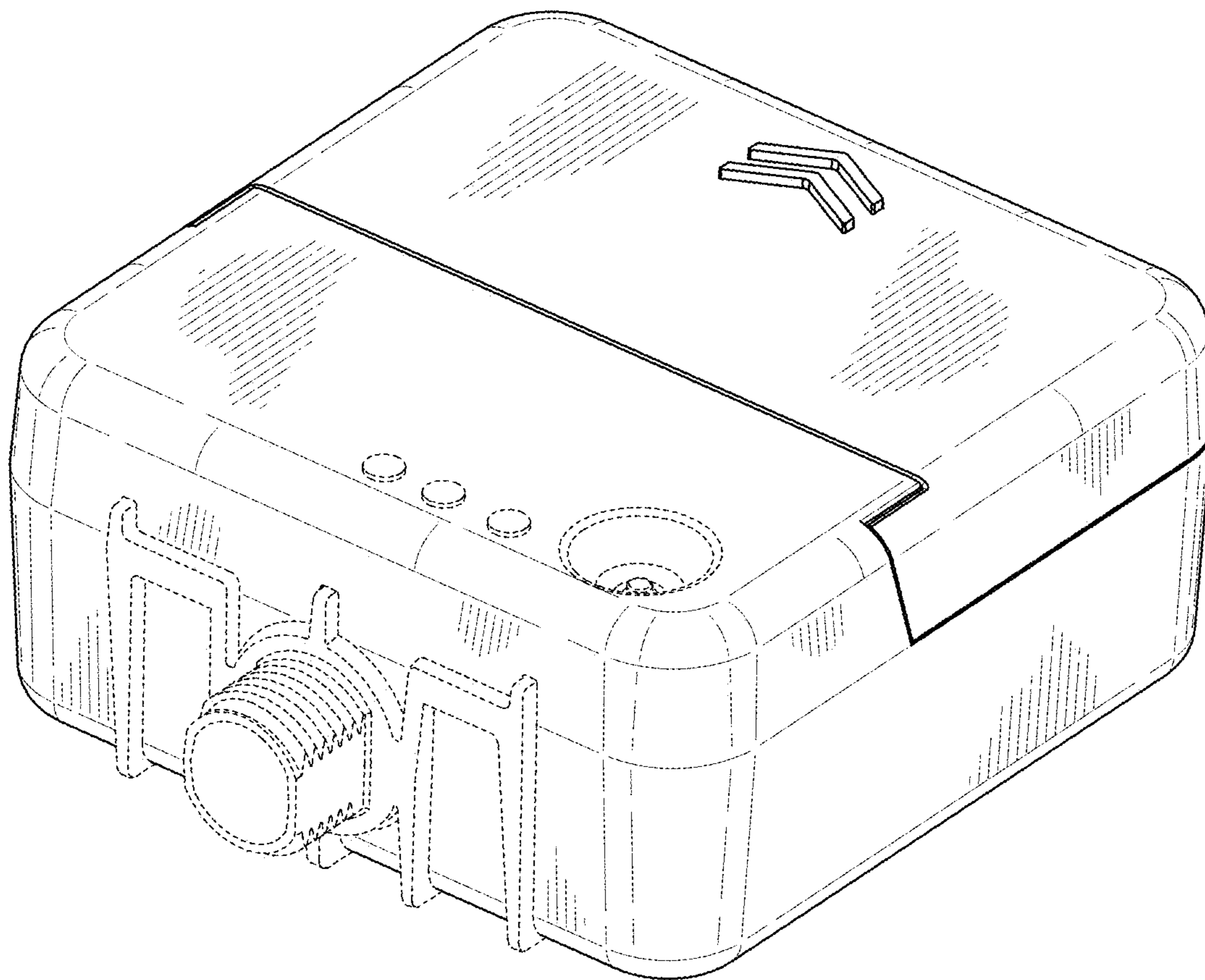


FIG. 2

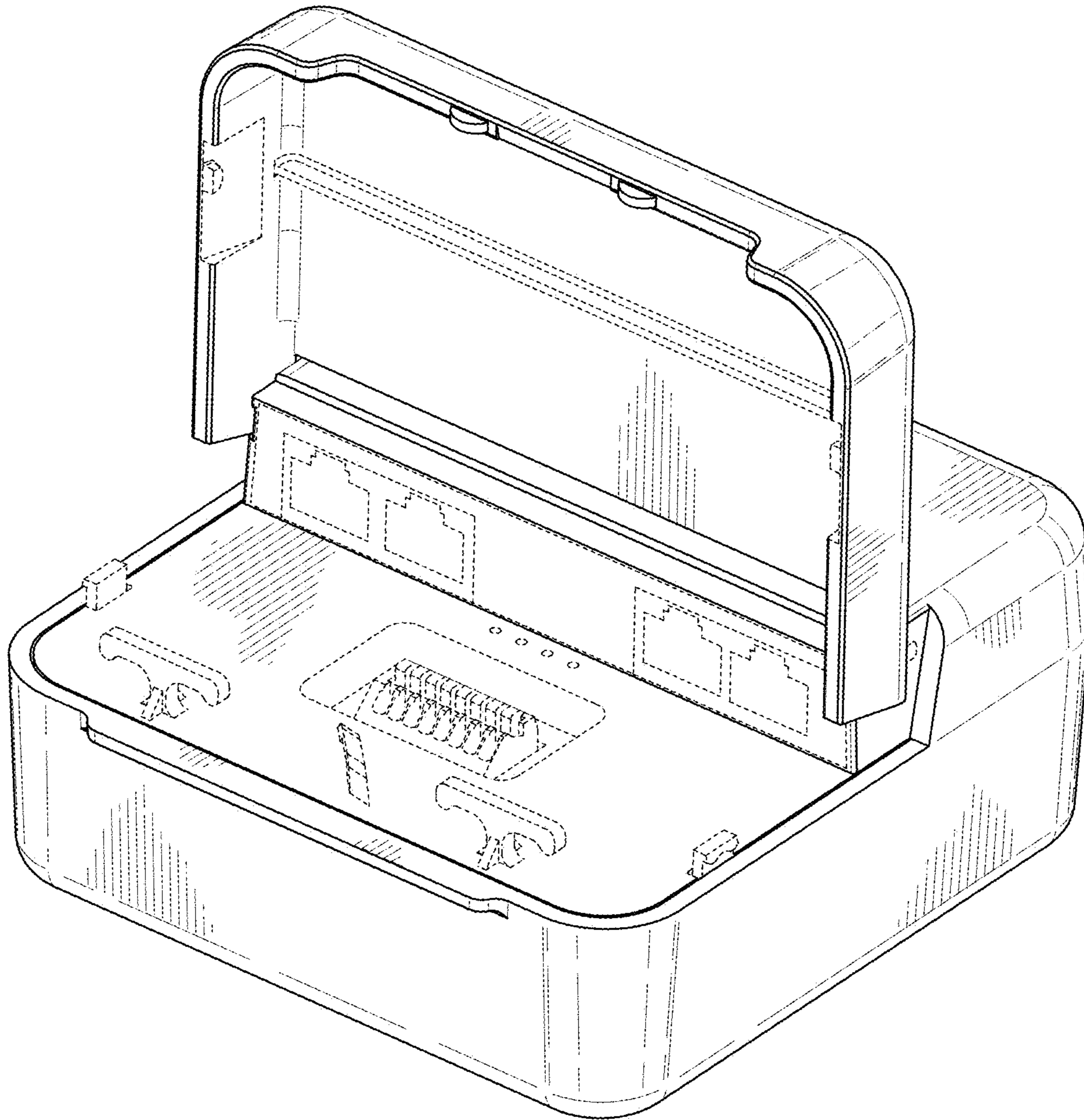


FIG. 3

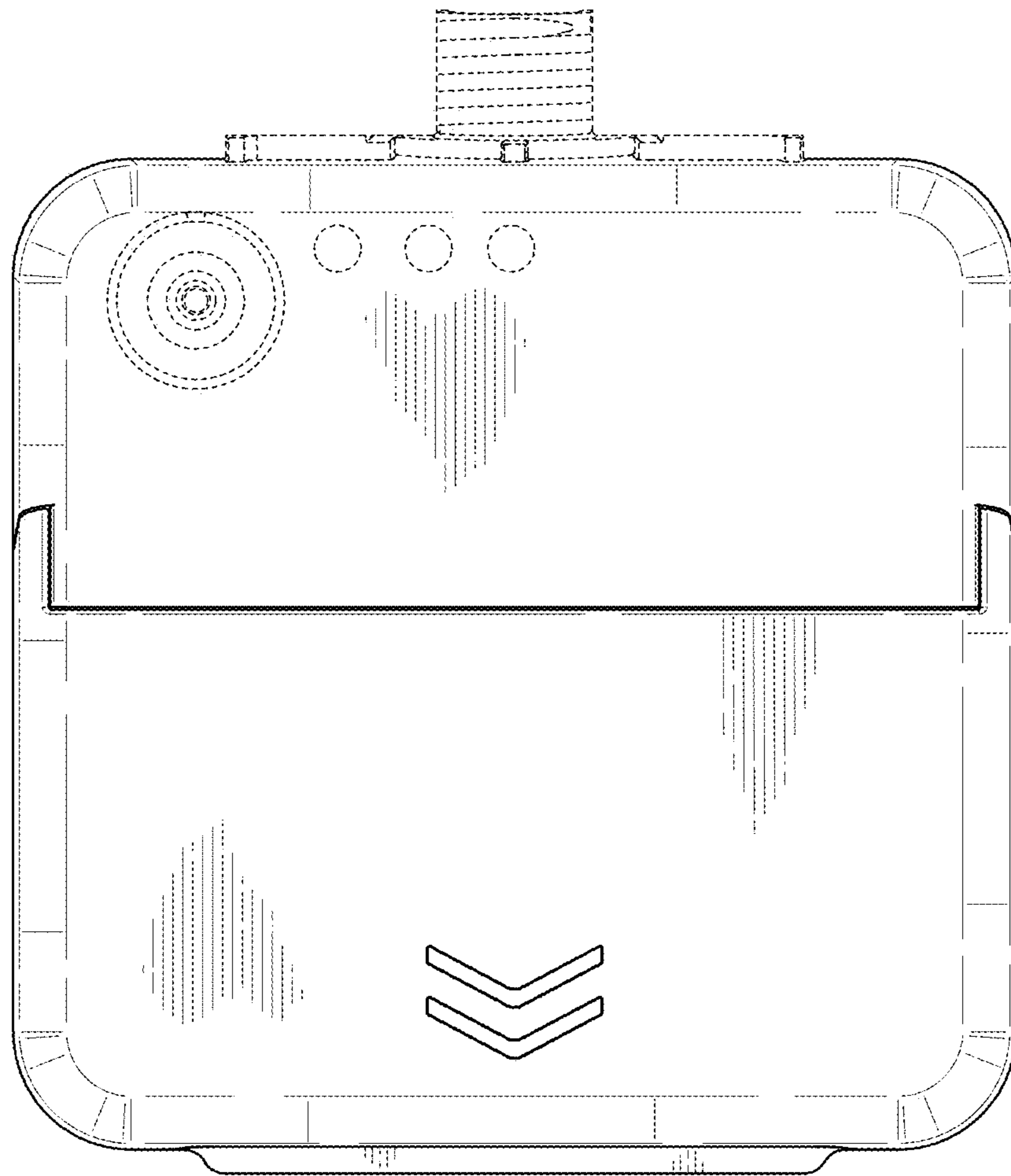


FIG. 4

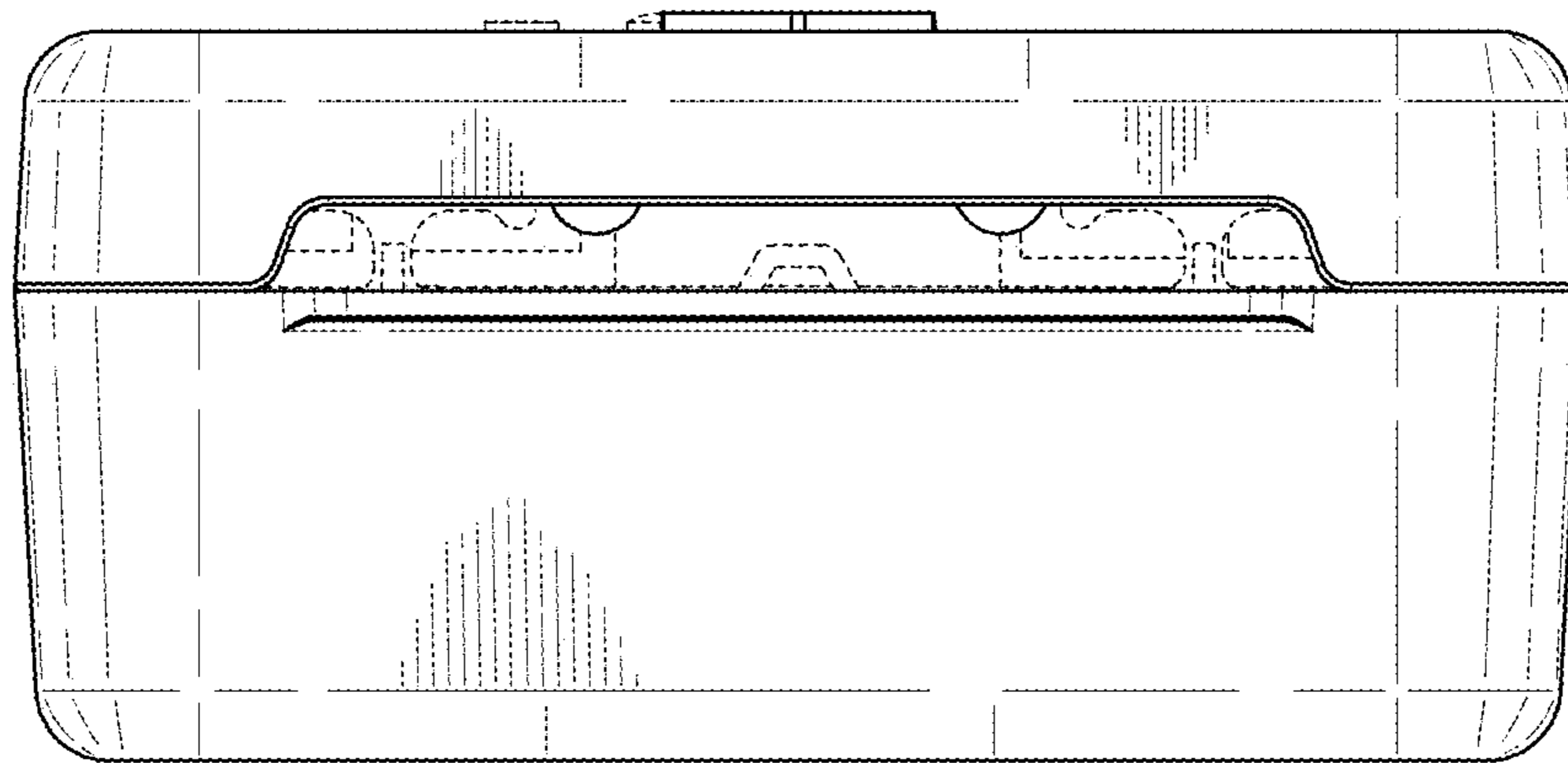


FIG. 5

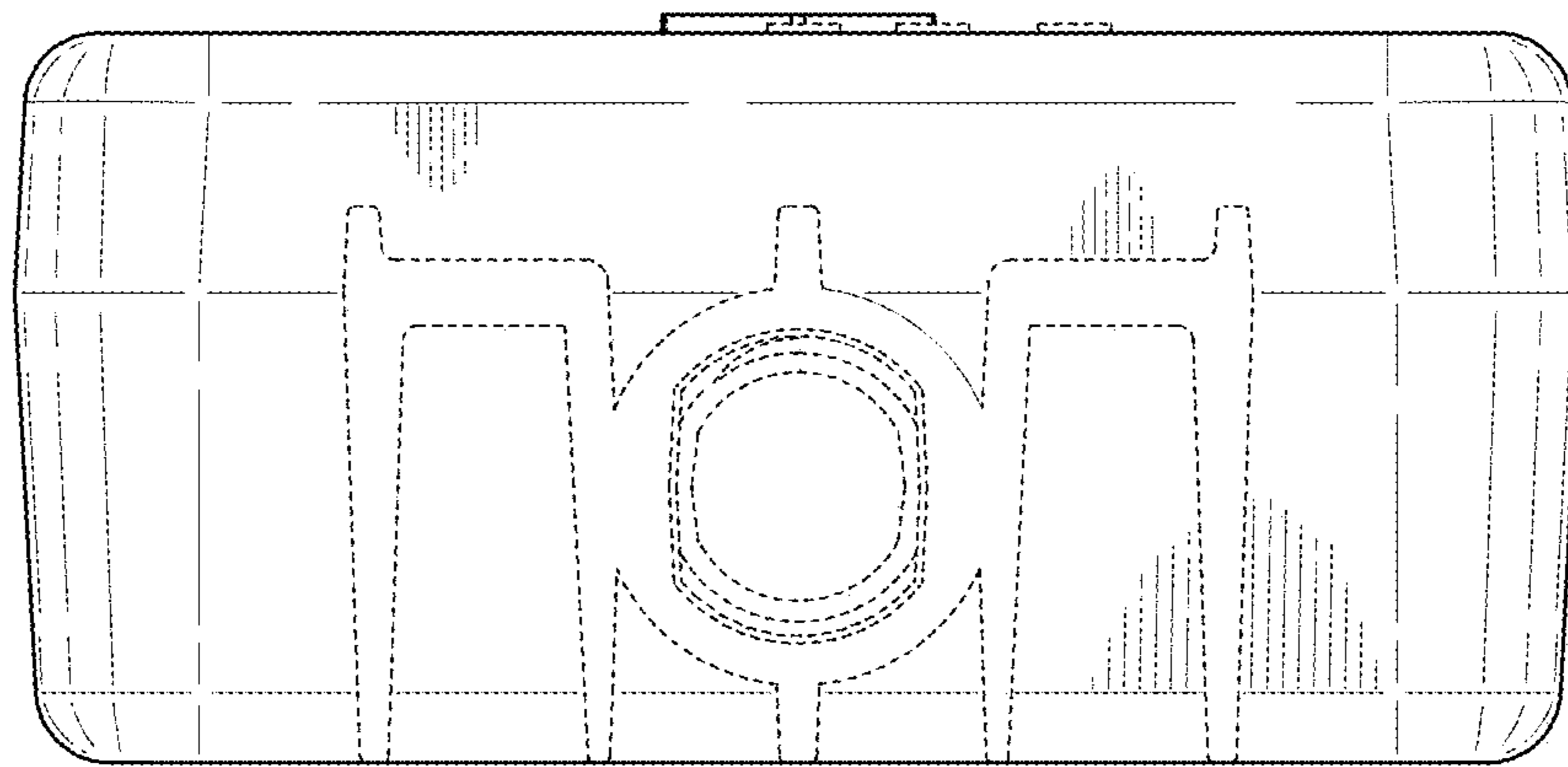


FIG. 6

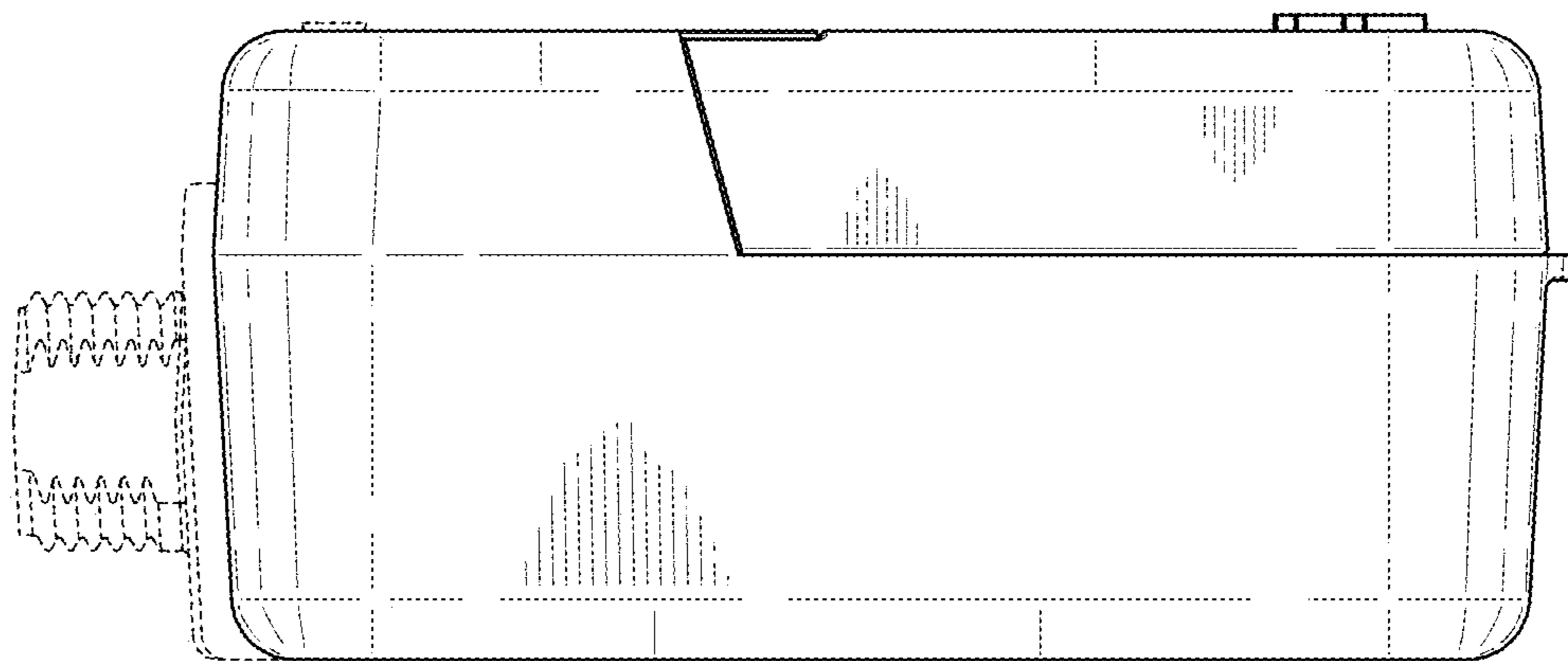


FIG. 7

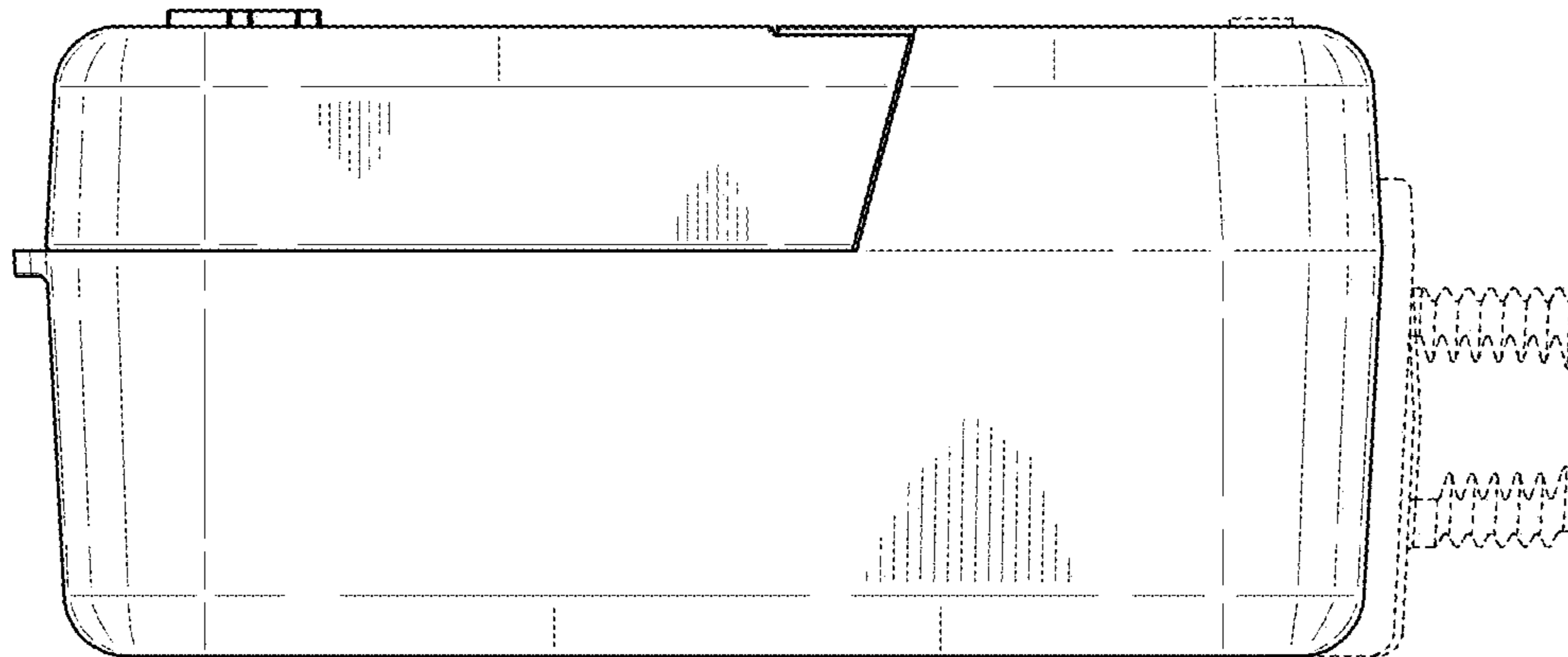


FIG. 8

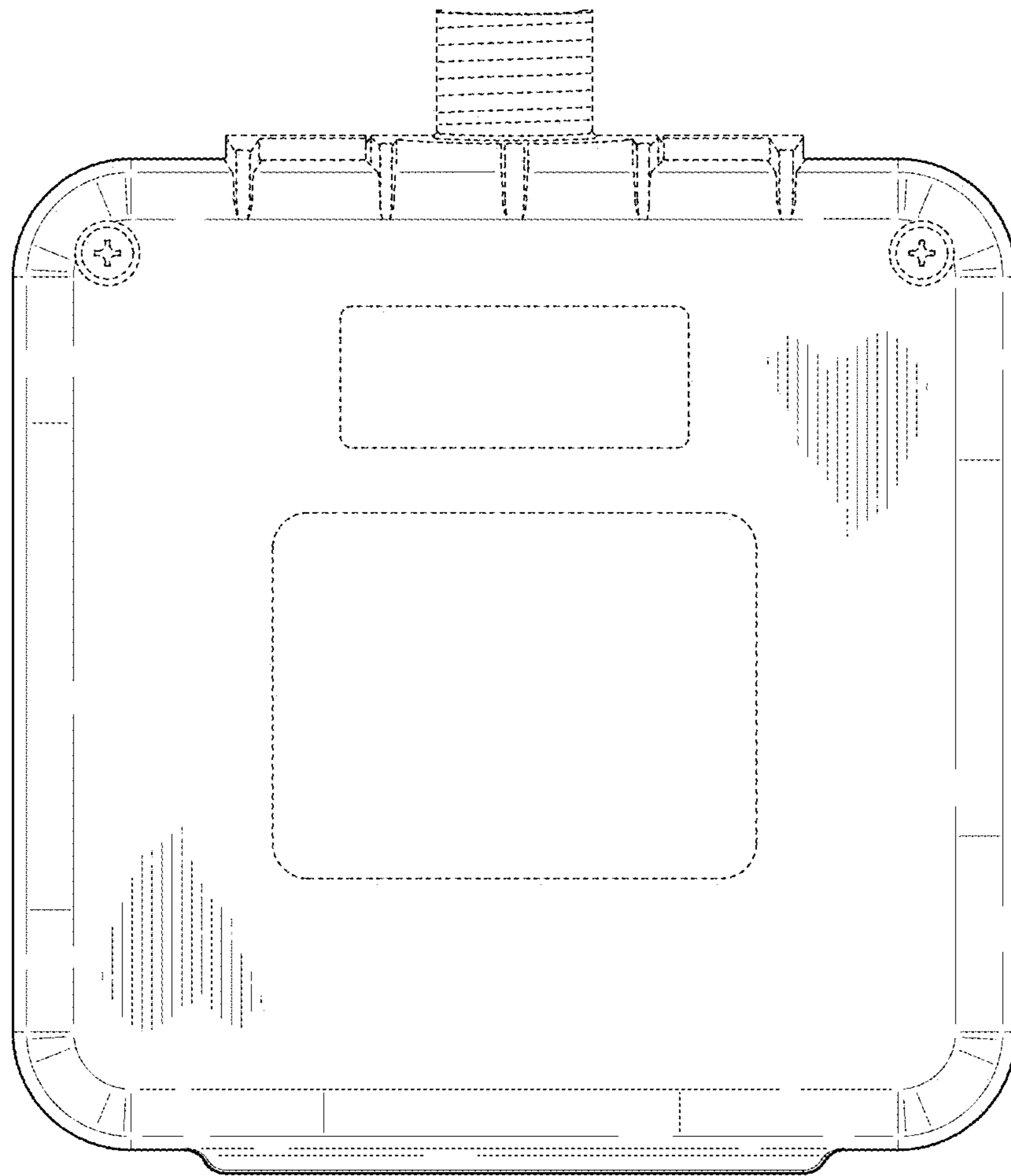


FIG. 9