



US00D962175S

(12) **United States Design Patent**  
**Huneault et al.**

(10) **Patent No.:** **US D962,175 S**

(45) **Date of Patent:** **\*\* Aug. 30, 2022**

(54) **ELECTRICAL CONNECTOR FOR LAMP**

(71) Applicant: **SOLLUM TECHNOLOGIES INC.**,  
Montreal (CA)

(72) Inventors: **Benjamin Huneault**, Montreal (CA);  
**Mikael Dillon**, Montreal (CA)

(\*\*) Term: **15 Years**

(21) Appl. No.: **35/511,952**

(22) Filed: **Dec. 4, 2020**

(80) **Hague Agreement Data**

Int. Filing Date: **Dec. 4, 2020**

Int. Reg. No.: **DM/213393**

Int. Reg. Date: **Dec. 4, 2020**

Int. Reg. Pub. Date: **Jun. 4, 2021**

(51) **LOC (13) Cl.** ..... **13-03**

(52) **U.S. Cl.**  
USPC ..... **D13/146**

(58) **Field of Classification Search**  
USPC ..... D13/146, 147, 155, 123, 110; D14/433,  
D14/383  
CPC ..... H01R 13/26  
See application file for complete search history.

(56) **References Cited**

**U.S. PATENT DOCUMENTS**

6,299,492 B1 *	10/2001	Pierini	.....	H01R 13/26 439/947
D825,471 S *	8/2018	Wang	.....	D13/155
D937,836 S *	12/2021	Chin	.....	D14/433
D938,422 S *	12/2021	Hellwig-Delaminsky	.....	D14/383
D940,656 S *	1/2022	Rebull	.....	D13/123
D942,451 S *	2/2022	Lu	.....	D14/383
D944,743 S *	3/2022	Wang	.....	D13/147

D944,744 S *	3/2022	Armacost	.....	D13/147
D945,373 S *	3/2022	Wang	.....	D13/147
D945,376 S *	3/2022	Yamaji	.....	D13/147
D946,521 S *	3/2022	Miron	.....	D13/110

\* cited by examiner

*Primary Examiner* — Rhea Shields

(57) **CLAIM**

The ornamental design for an electrical connector for lamp,  
as shown and described.

**DESCRIPTION**

1. Electrical connector for lamp

1.1 : Perspective

1.2 : Perspective

1.3 : Top

1.4 : Bottom

1.5 : Front

1.6 : Back

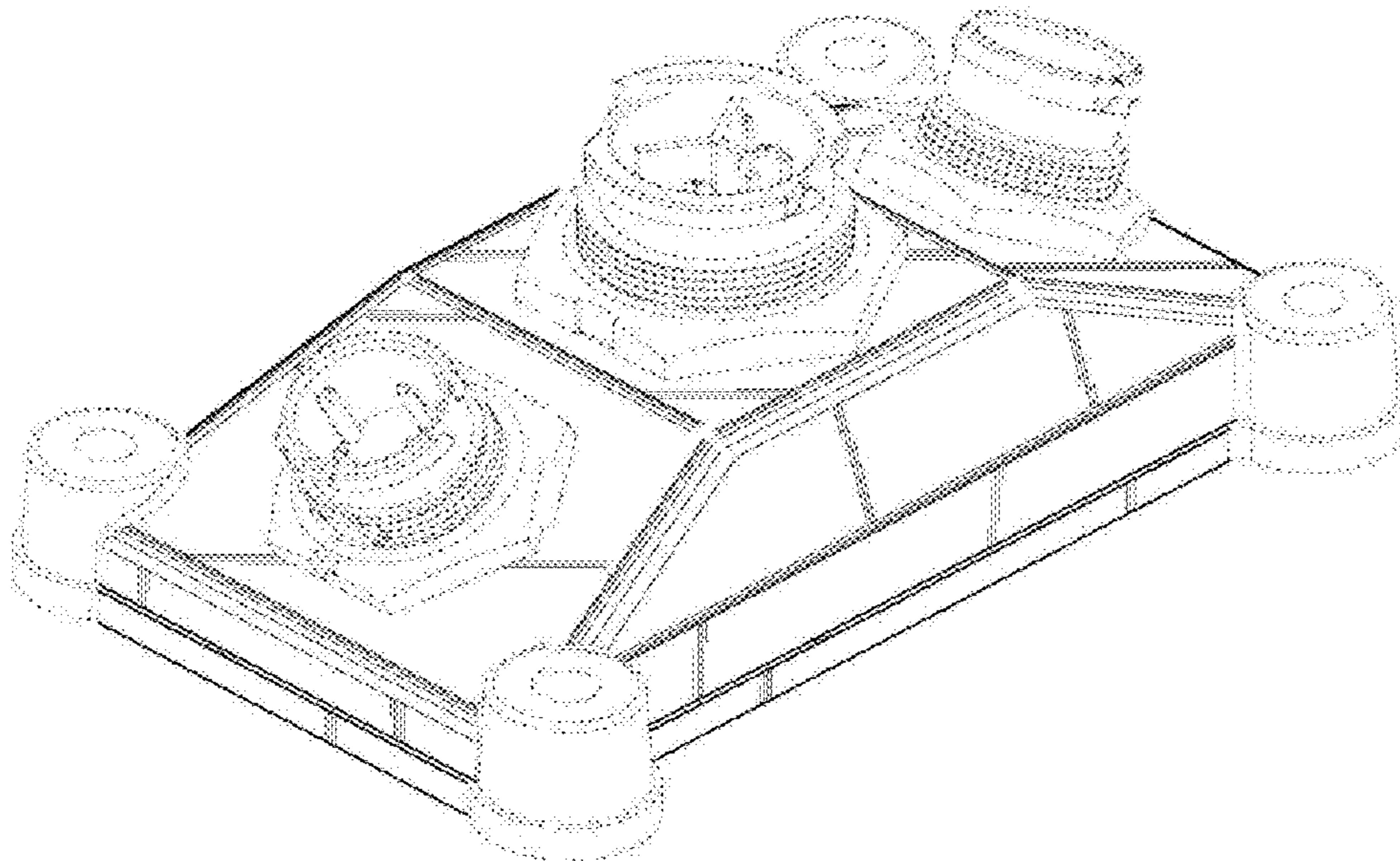
1.7 : Left

1.8 : Right

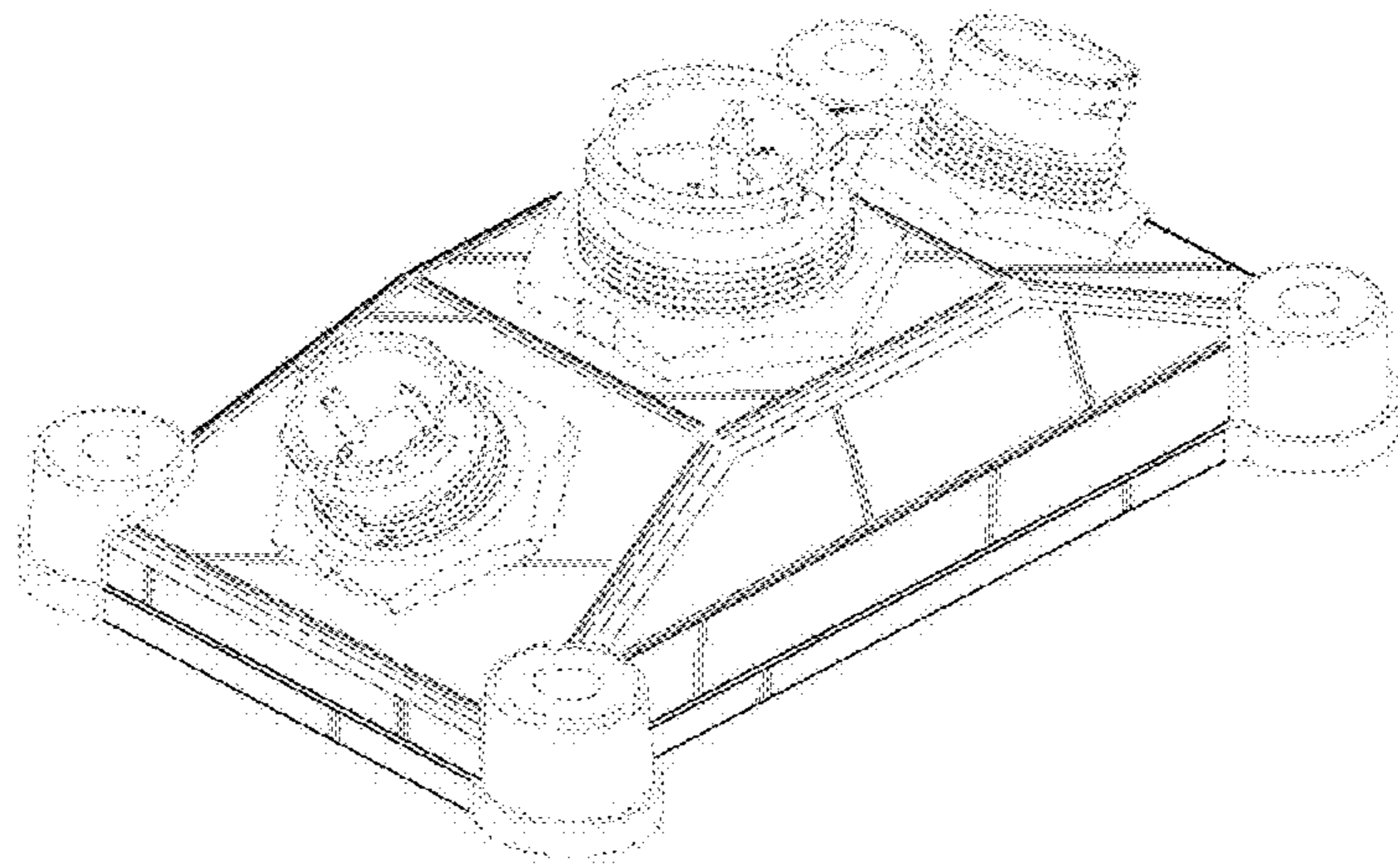
1.9 : Perspective

The design consists of the features of shape and pattern of the article shown in the drawings; the portions shown in stippled lines do not form part of the design; reproduction 1.1 is a top perspective view of an electrical connector for a lamp, according to the present design; reproduction 1.2 is a bottom perspective view thereof; reproduction 1.3 is a top view thereof; reproduction 1.4 is a bottom view thereof; reproduction 1.5 is a front view thereof; reproduction 1.6 is a rear view thereof; reproduction 1.7 is a left-side view thereof; reproduction 1.8 is a right-side thereof; reproduction 1.9 is a perspective view thereof, showing the state that the electrical connector is mounted to a heat sink of a lamp. In the drawings, the broken lines are for the purpose of illustrating portions of the electrical connector for lamp that forms no part of the claimed design.

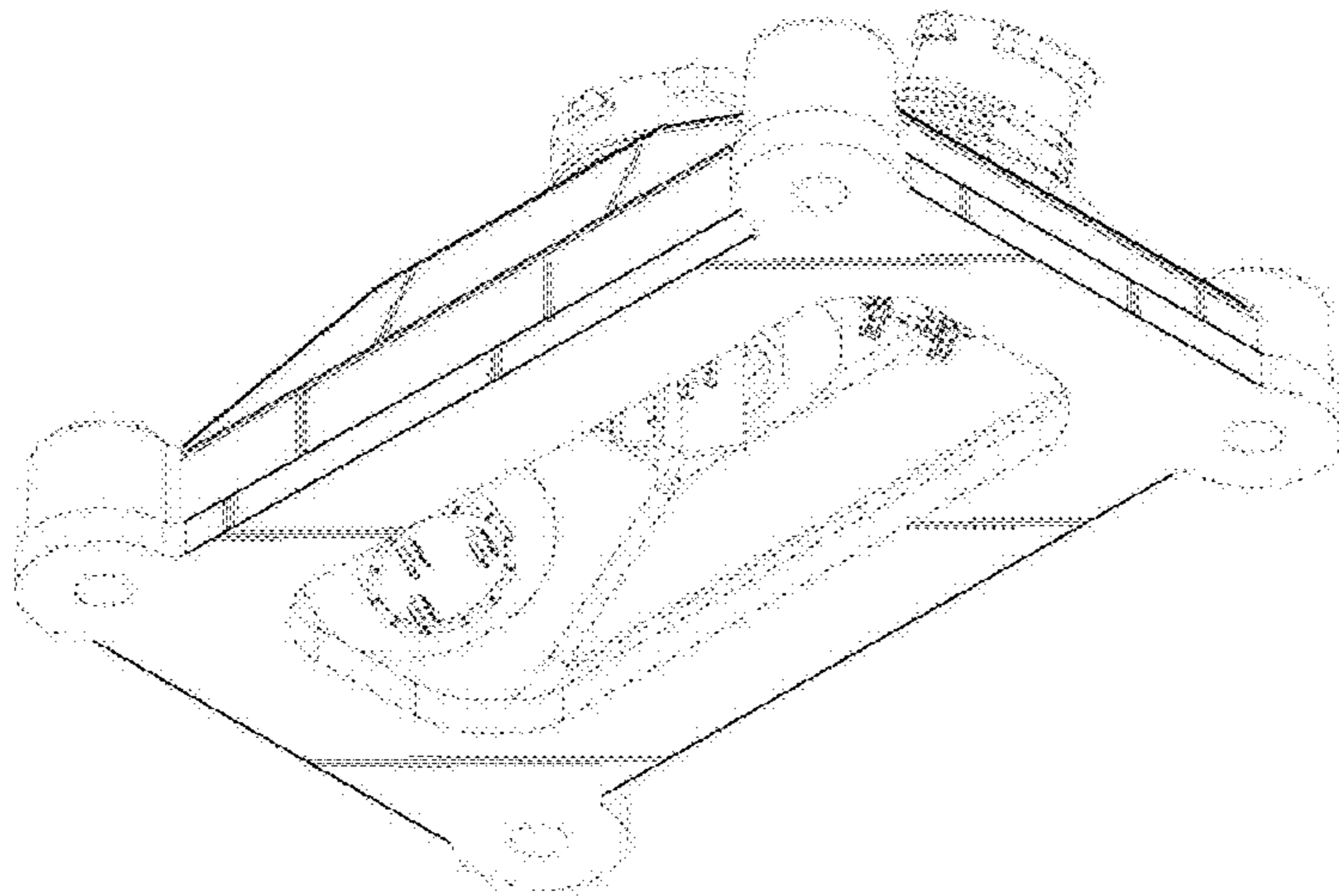
**1 Claim, 9 Drawing Sheets**



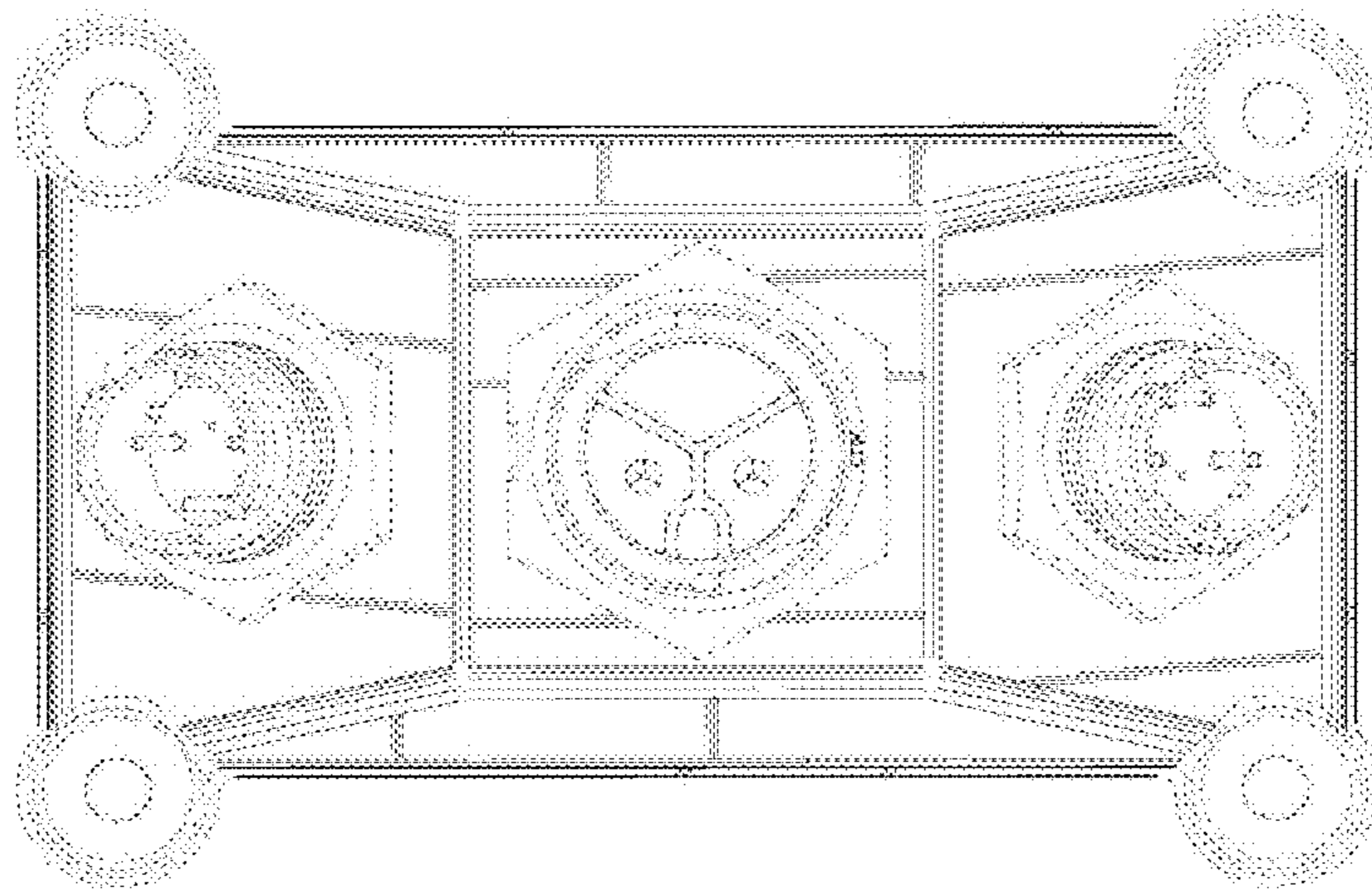
1.1



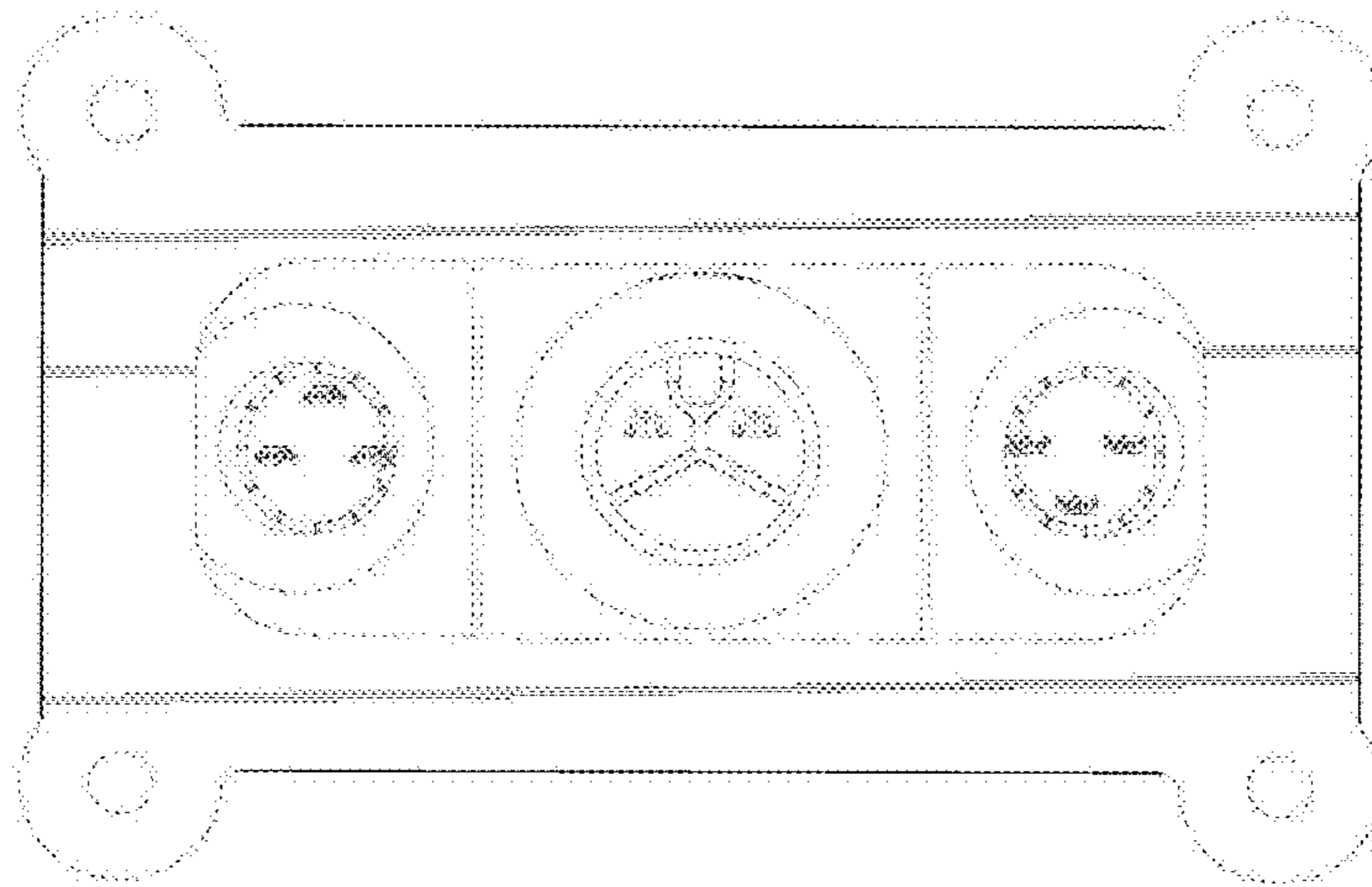
1.2



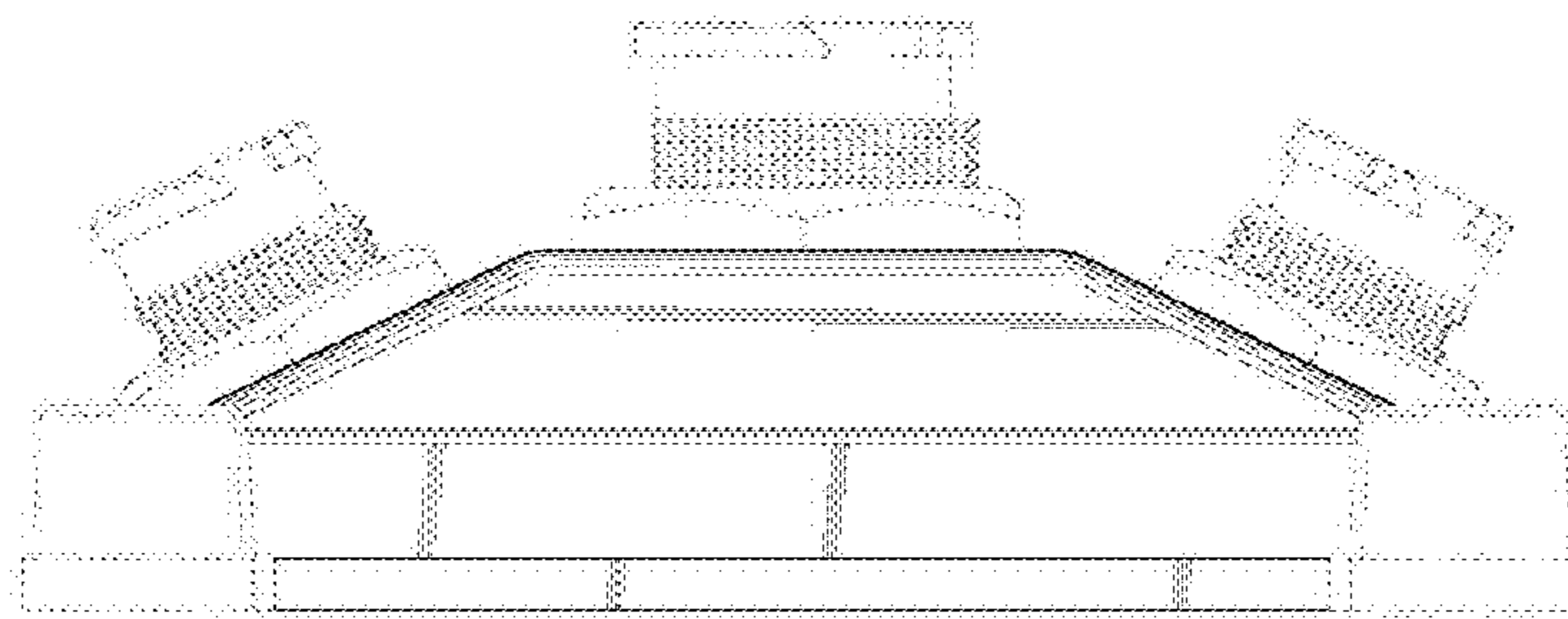
1.3



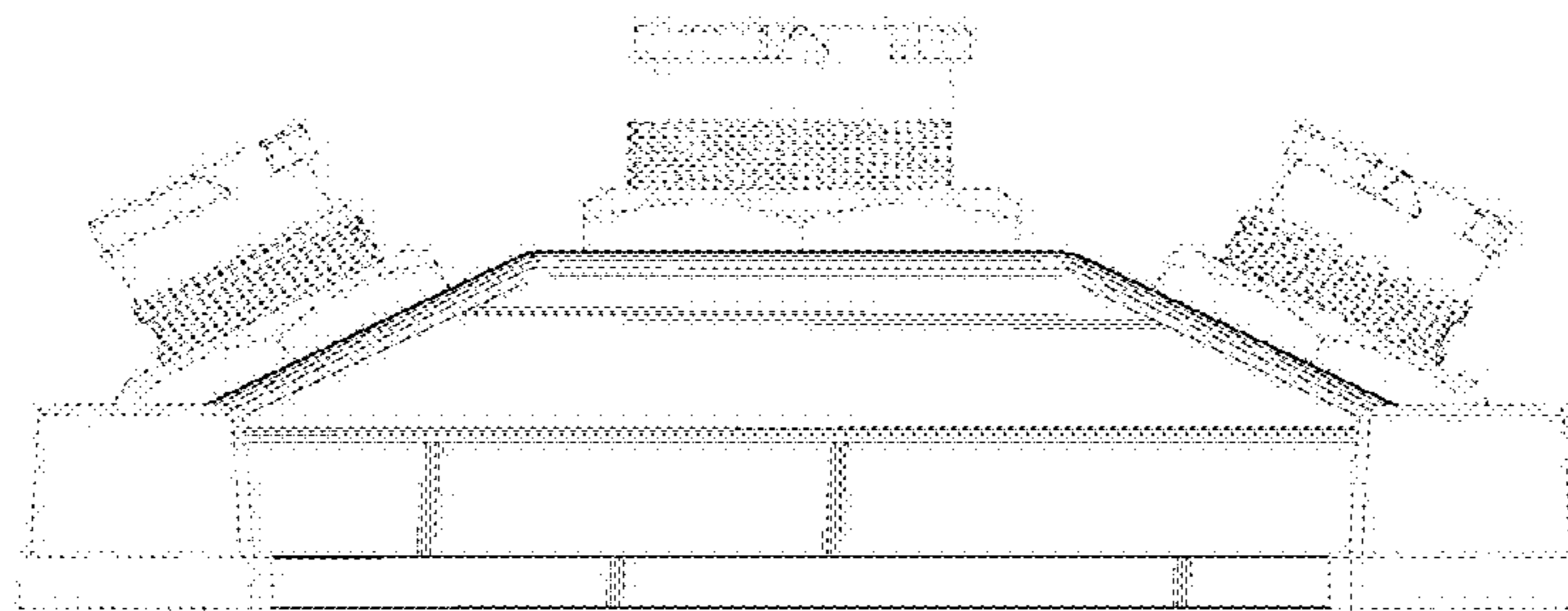
1.4



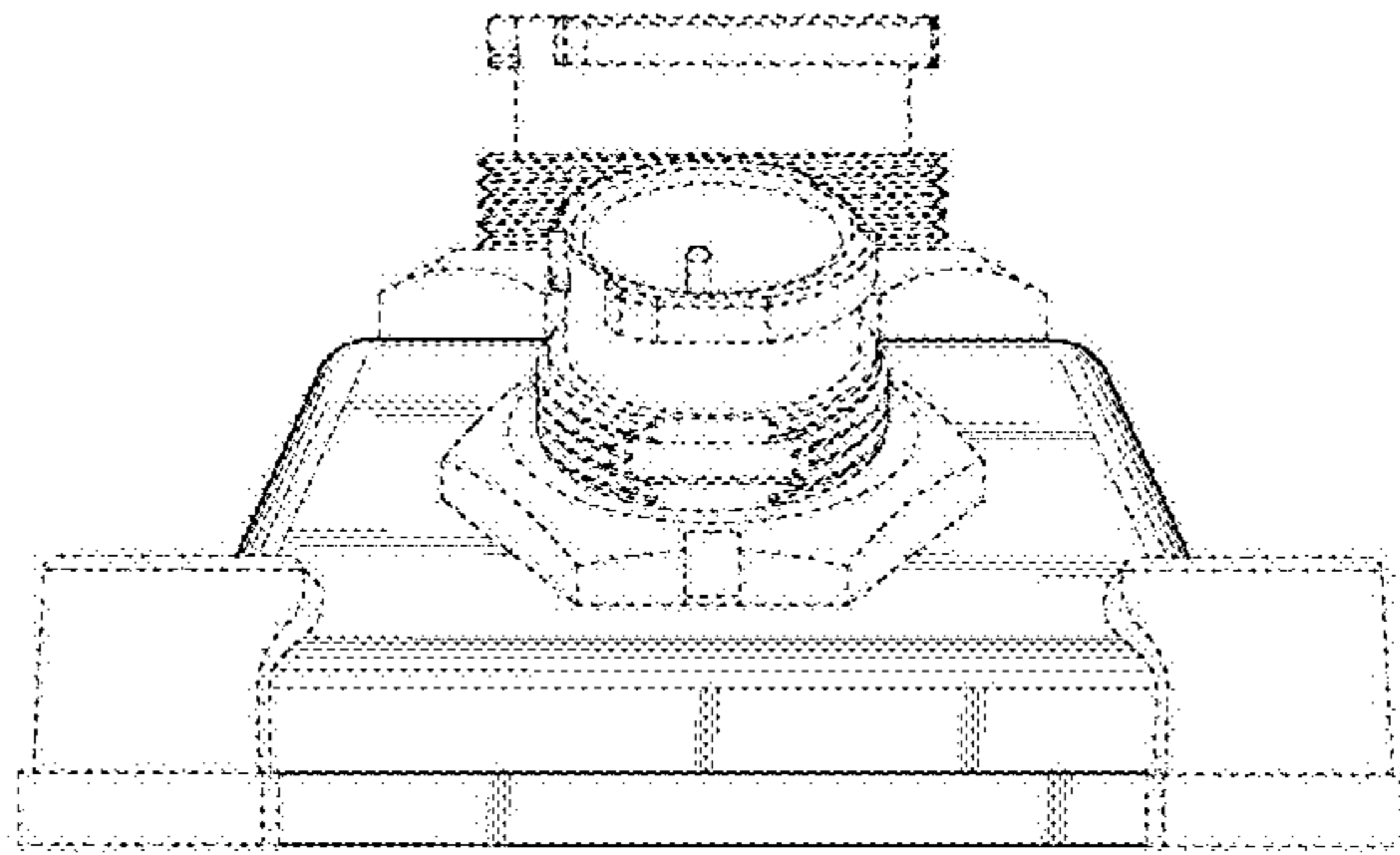
1.5



1.6

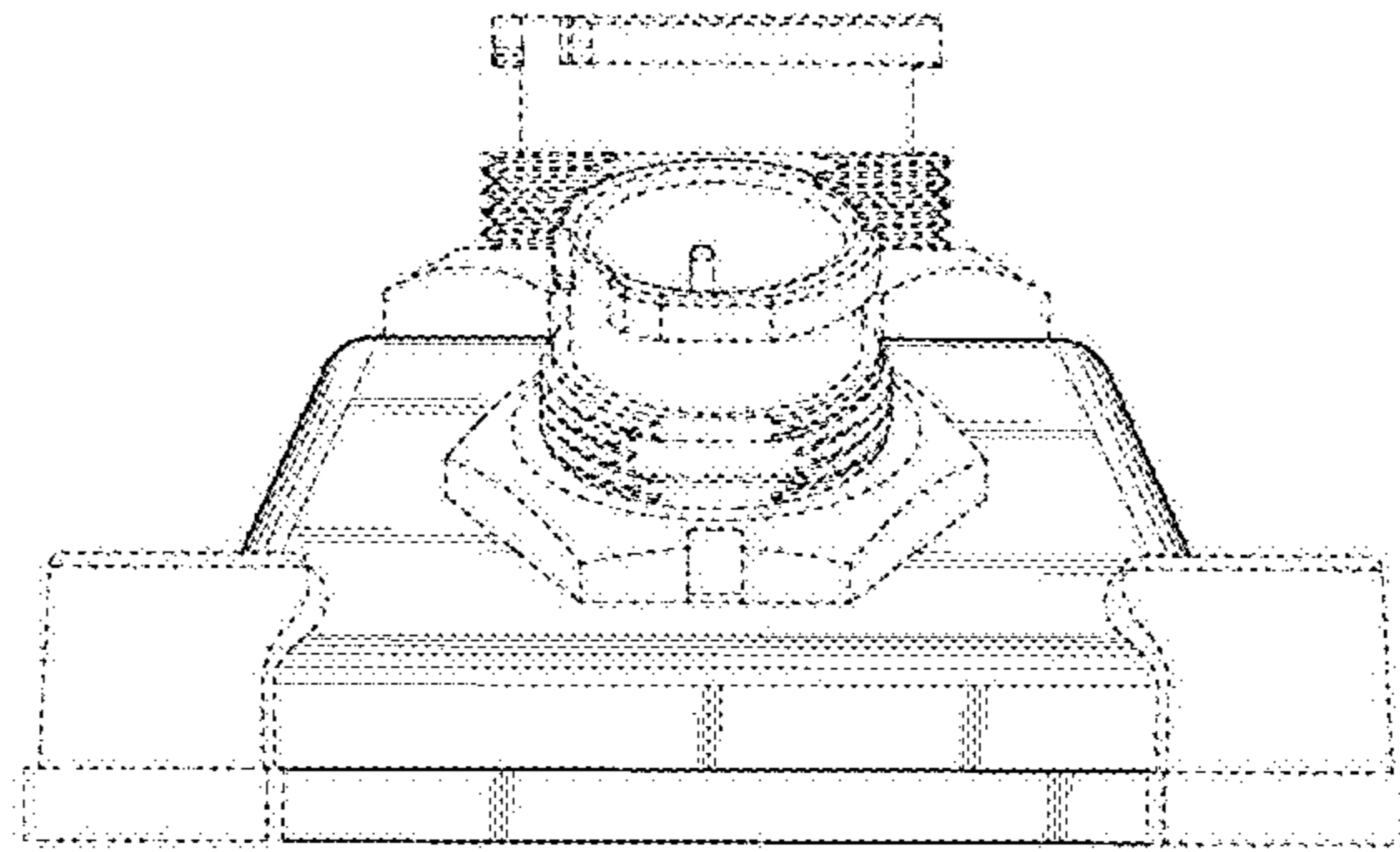


1.7





1.8



1.9

