



US00D962173S

(12) **United States Design Patent**
Zhang

(10) **Patent No.:** **US D962,173 S**
(45) **Date of Patent:** **** Aug. 30, 2022**

(54) **SOCKET**

(71) Applicant: **SHENZHEN ORICO TECHNOLOGIES CO., LTD.**,
Shenzhen (CN)

(72) Inventor: **Xiaoning Zhang**, Shenzhen (CN)

(**) Term: **15 Years**

(21) Appl. No.: **29/749,744**

(22) Filed: **Sep. 9, 2020**

(51) **LOC (13) Cl.** **13-03**

(52) **U.S. Cl.**
USPC **D13/139.1**

(58) **Field of Classification Search**
USPC D13/137.1, 137.2, 137.3, 137.4, 138.1,
D13/138.2, 139.1, 139.2, 139.7, 139.8,
D13/184, 103, 107, 199, 108, 110, 119,
D13/123, 133, 139.3, 139.5, 139.6, 152,
D13/145, 153, 154, 156, 158, 160, 162,
D13/177; D14/433, 434
CPC H01R 13/00; H01R 13/04; H01R 13/10;
H01R 13/665; H01R 13/6666; H01R
13/6676; H01R 13/7135; H01R 25/00;
H01R 25/006; H01R 9/00; H01R 11/00;
H02H 3/33; H02H 3/162; H01H 2207/00;
H01H 2207/022; H01H 2203/00; H05K
5/00; H05K 5/03

See application file for complete search history.

(56) **References Cited**

U.S. PATENT DOCUMENTS

D195,463 S * 6/1963 Tamarin D13/137.4
D742,823 S * 11/2015 Nitz D13/108
D777,100 S * 1/2017 Price D13/103
D796,442 S * 9/2017 Xu D13/139.6
D839,189 S * 1/2019 Miller D13/108
D845,902 S * 4/2019 Xu D13/137.4

D846,500 S * 4/2019 Xu D13/137.4
D851,599 S * 6/2019 Li D13/139.8
D894,122 S * 8/2020 Ye D13/108

FOREIGN PATENT DOCUMENTS

CN 305296614 * 8/2019
GB 6090783 * 5/2020
GB 6097887 * 8/2020
GB 6115167 * 1/2021
GB 6130320 * 4/2021

OTHER PUBLICATIONS

“Power Strip with 3 USB Ports, TESSAN 5 ft Extension Cord Flat Plug with 4 Outlets, Overload Protection Indoor Desk Charging Station, Mountable Compact for Travel, Cruise Ship, and Dorm Essentials”, first available Oct. 30, 2019. Amazon.com [https://www.amazon.com/TESSAN-Mountable-Extension-Outlets-Lightweight/dp/B07ZRDGF6Y] (Year: 2019).*

* cited by examiner

Primary Examiner — Rosemary K Tarcza

Assistant Examiner — Seth David Kumpf

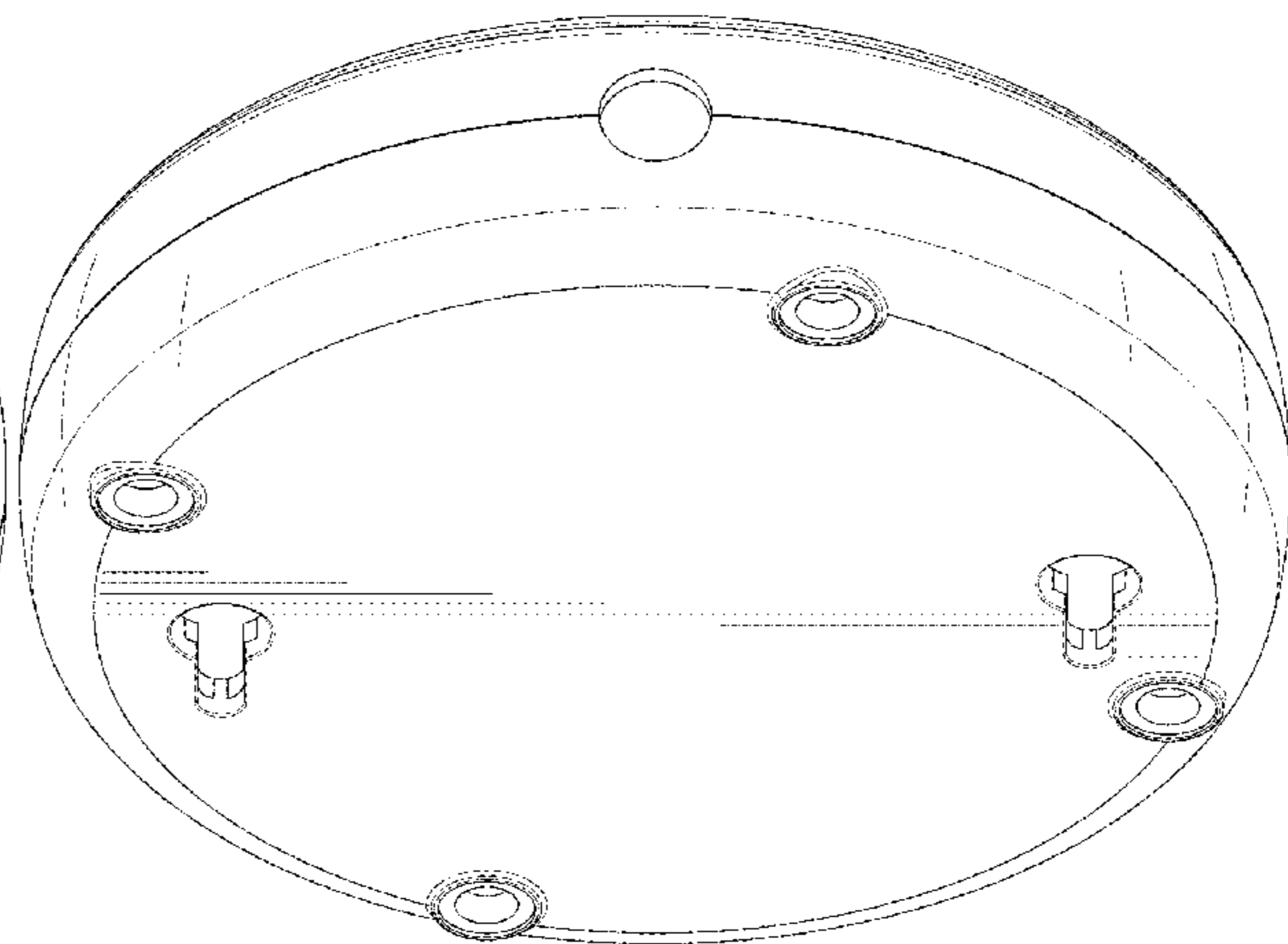
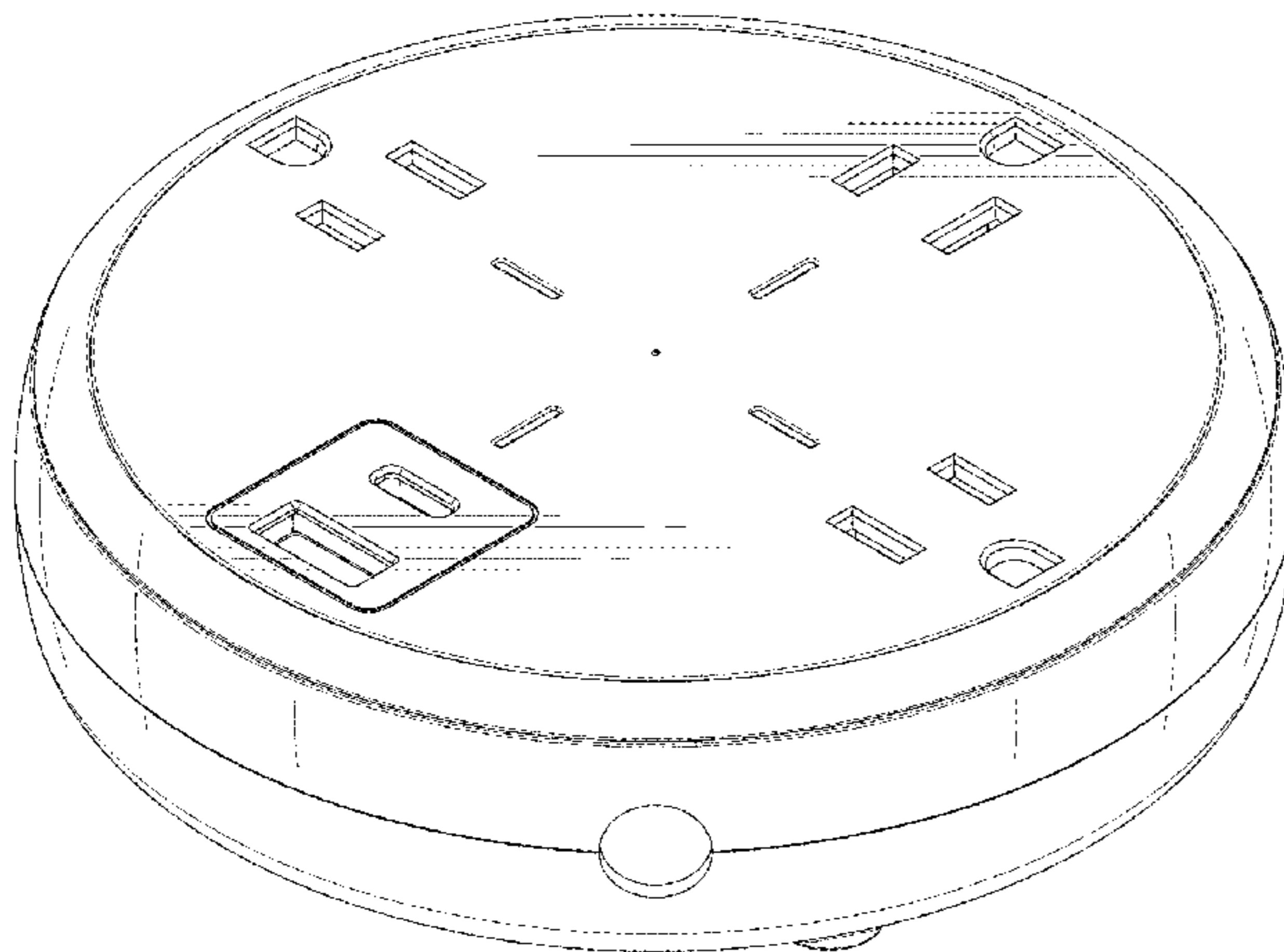
(57) **CLAIM**

The ornamental design for a socket, as shown and described.

DESCRIPTION

FIG. 1 is a front, right side, top perspective view of a socket showing my new design;
FIG. 2 is a rear, left side, bottom perspective view thereof;
FIG. 3 is a front elevational view thereof;
FIG. 4 is a rear elevational view thereof;
FIG. 5 is a left side elevational view thereof;
FIG. 6 is a right side elevational view thereof;
FIG. 7 is a top plan view thereof; and,
FIG. 8 is a bottom plan view thereof.
The broken lines depict portions of the socket that form no part of the claimed design.

1 Claim, 8 Drawing Sheets



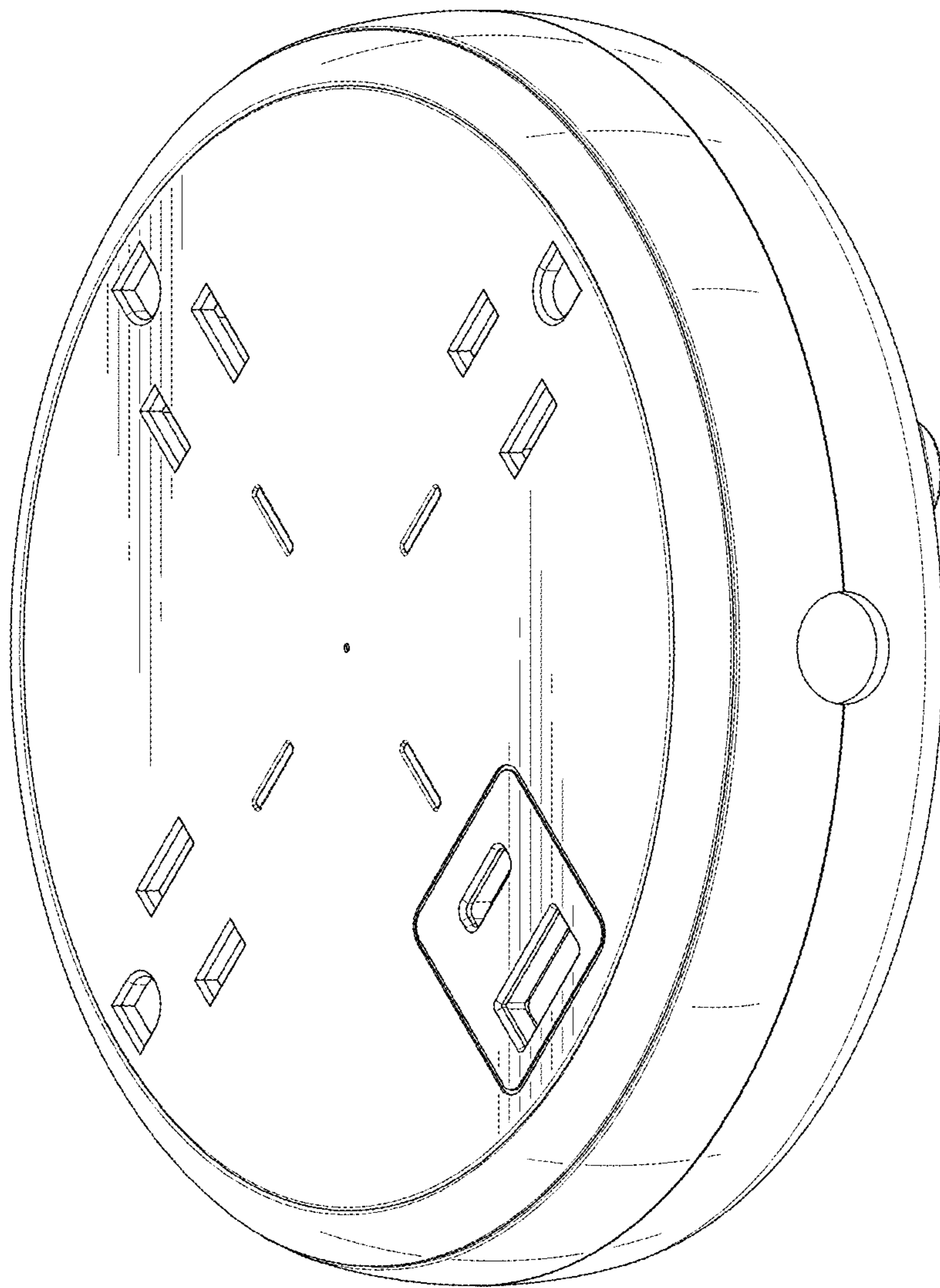


FIG.1

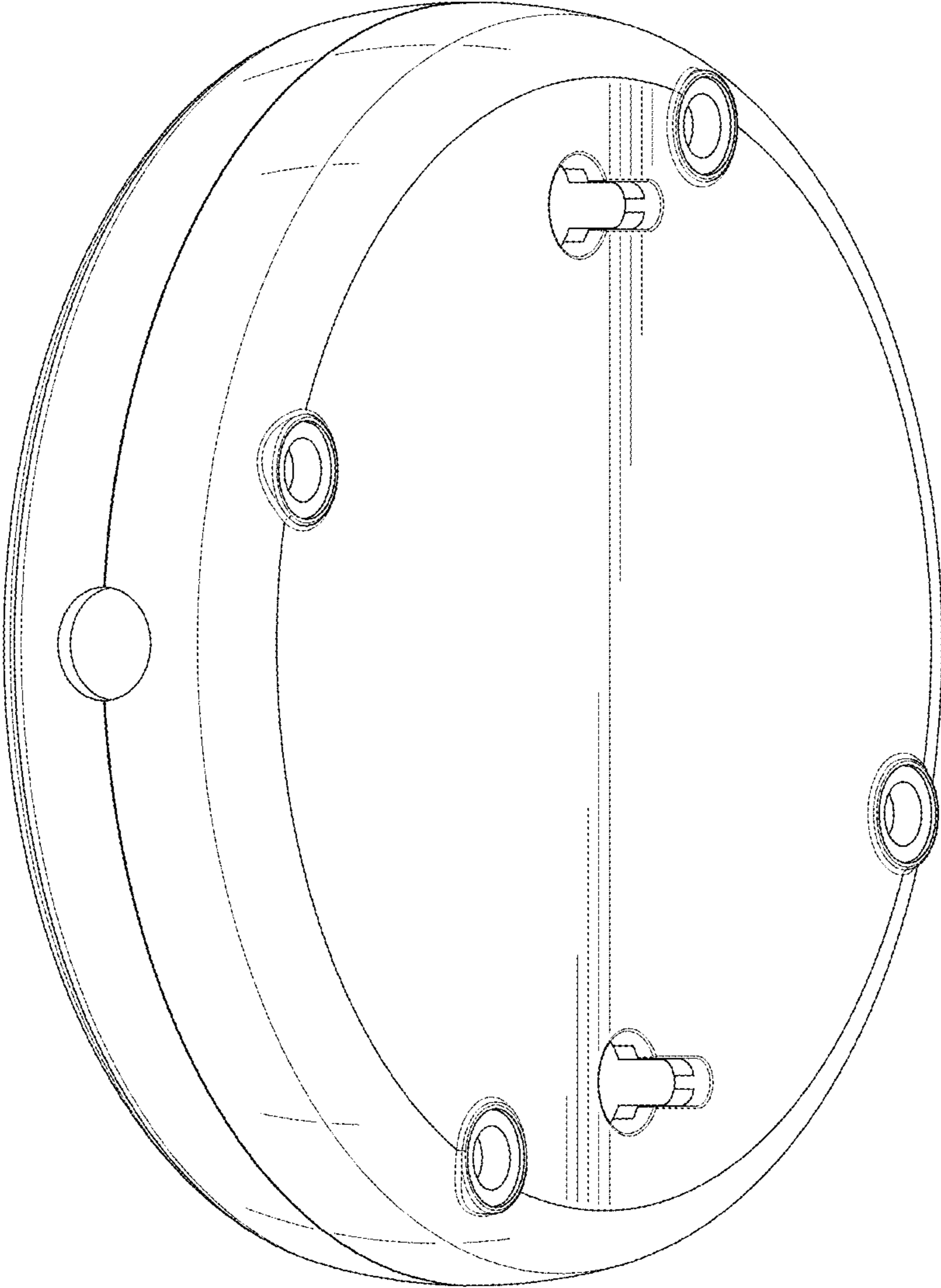


FIG. 2

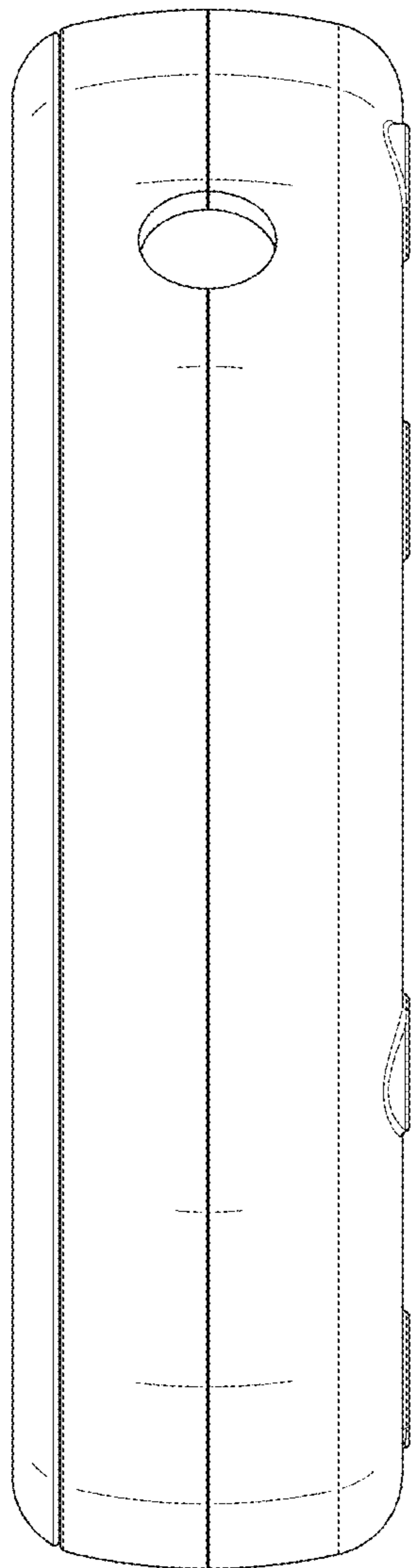


FIG. 3

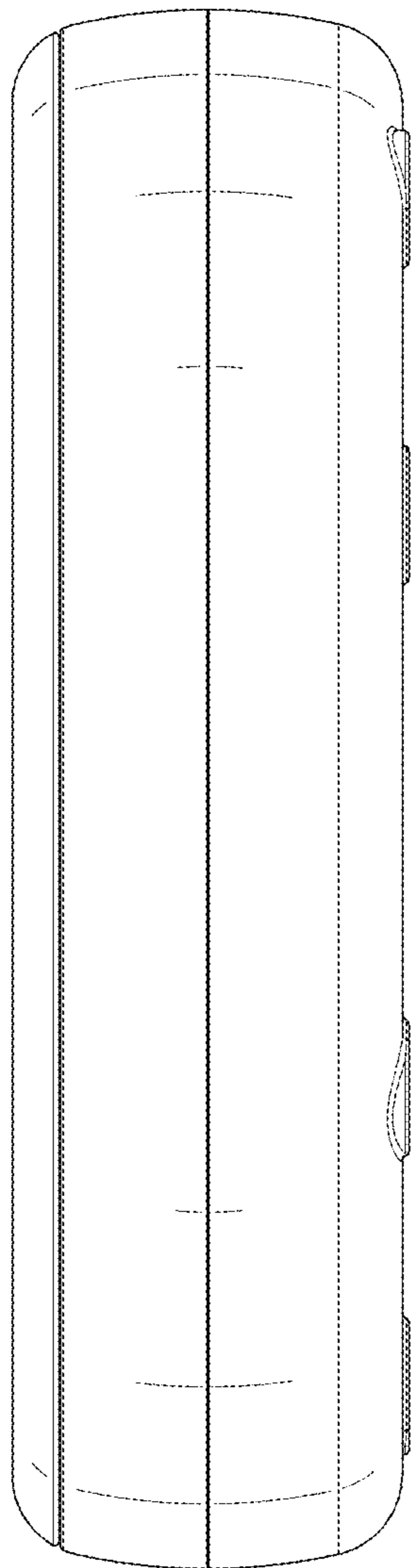


FIG.4

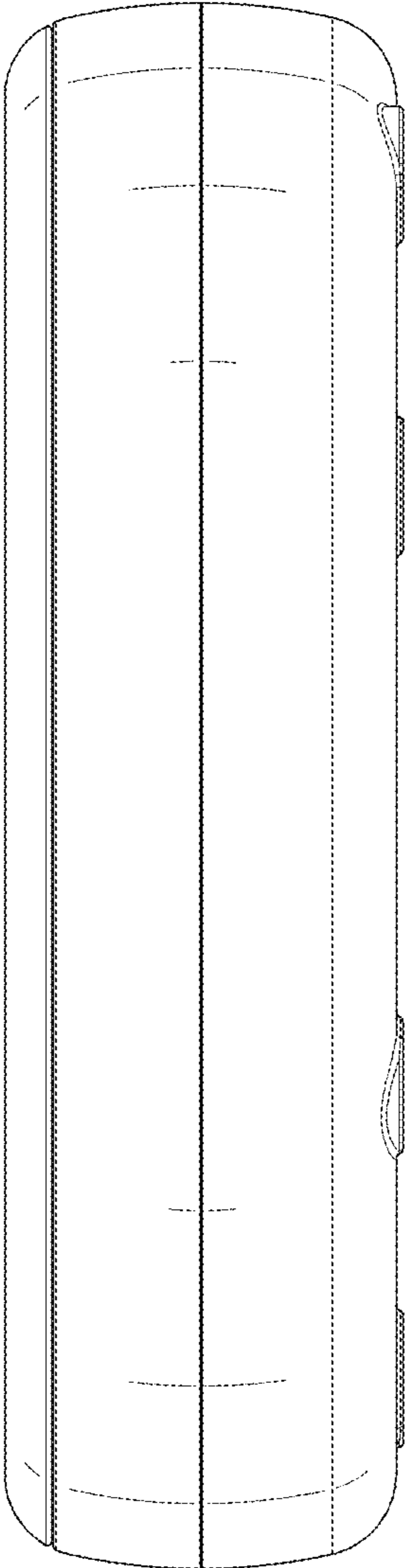


FIG. 5

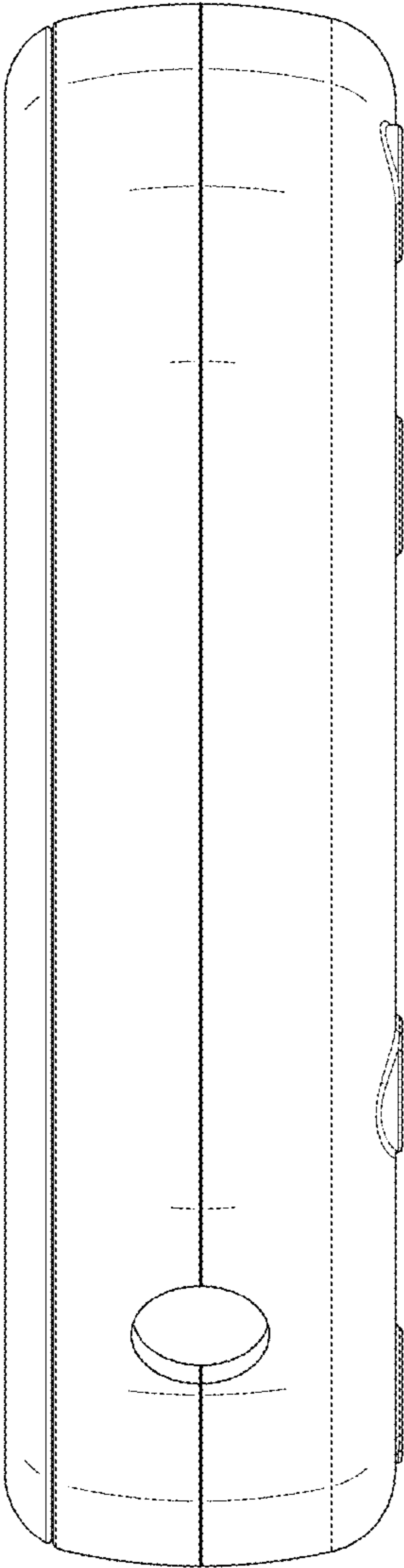


FIG.6

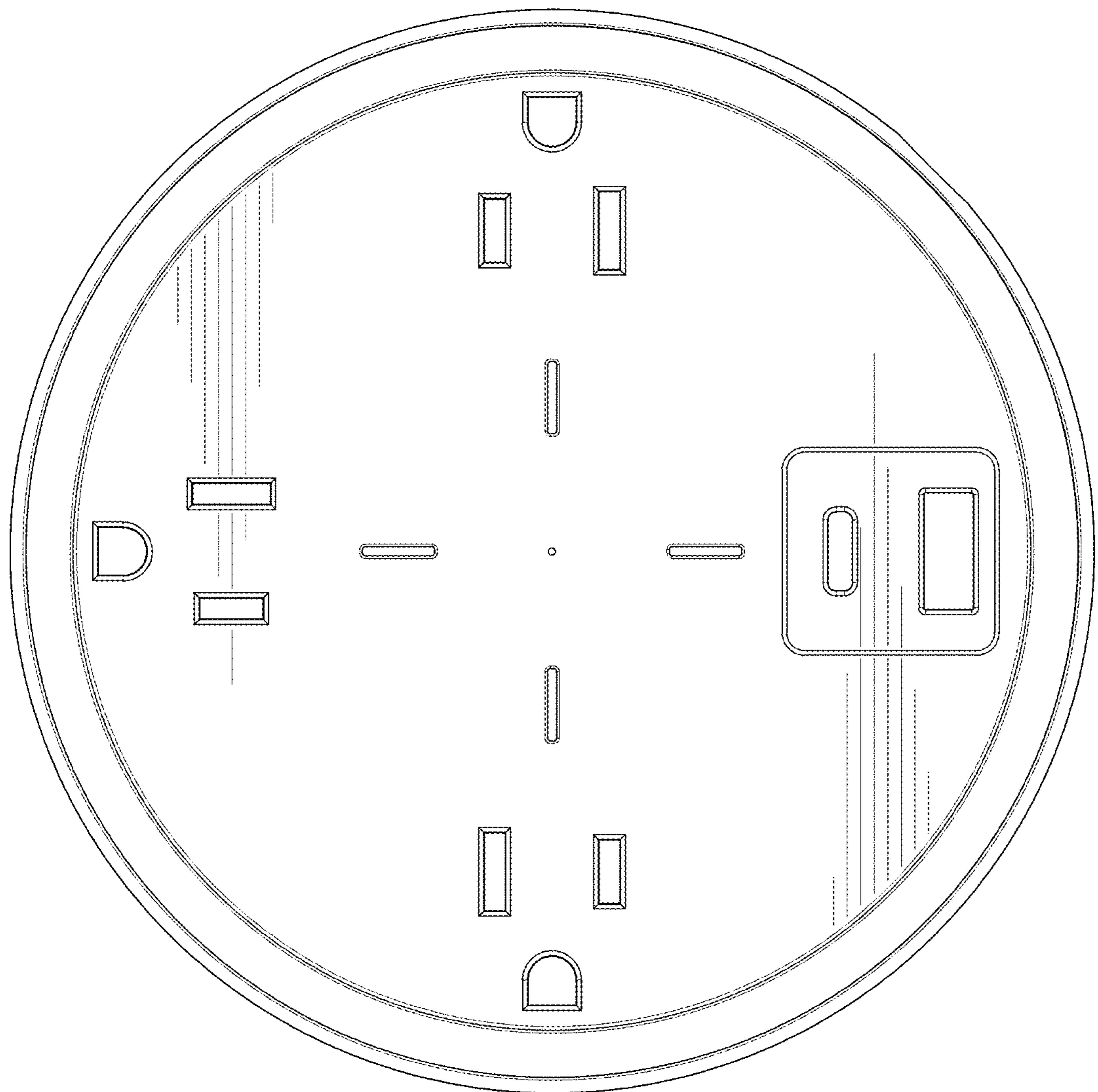


FIG. 7

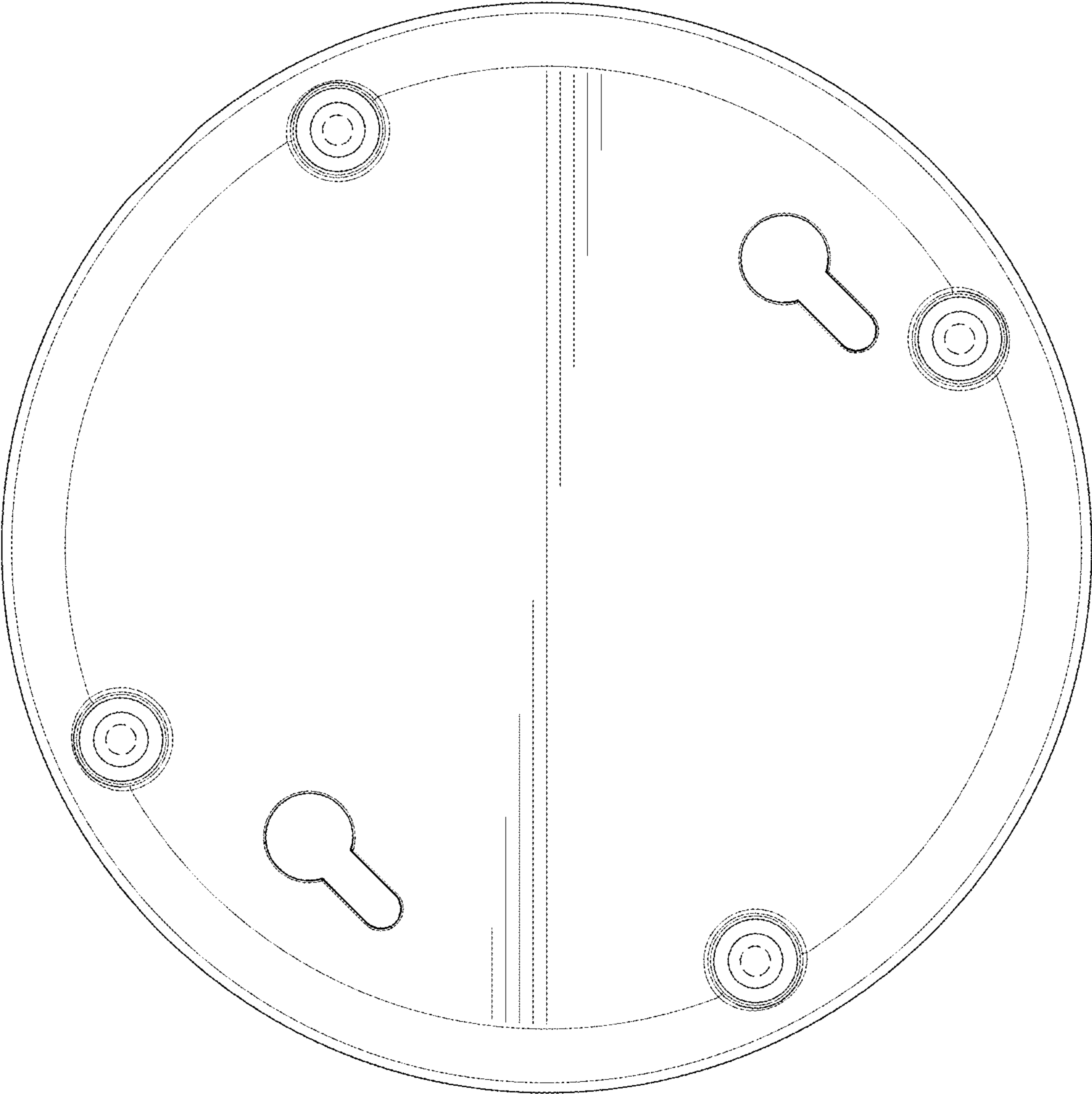


FIG.8