

US00D962170S

(12) **United States Design Patent**
Sasaki

(10) **Patent No.:** **US D962,170 S**

(45) **Date of Patent:** **** Aug. 30, 2022**

(54) **ELECTRICAL CONNECTOR**

(71) Applicant: **Hosiden Corporation**, Yao (JP)

(72) Inventor: **Daisuke Sasaki**, Yao (JP)

(73) Assignee: **HOSIDEN CORPORATION**, Yao (JP)

(**) Term: **15 Years**

(21) Appl. No.: **29/748,594**

(22) Filed: **Aug. 31, 2020**

(30) **Foreign Application Priority Data**

Mar. 2, 2020 (JP) 2020-004037 D
Mar. 2, 2020 (JP) 2020-004038 D

(51) **LOC (13) Cl.** **13-03**

(52) **U.S. Cl.**
USPC **D13/133**

(58) **Field of Classification Search**
USPC D13/120, 121, 127, 133, 146, 147, 149,
D13/154, 159, 161, 184, 199; D8/354
CPC H01R 13/5213; H01R 13/6272; H01R
33/7664; G02B 6/3829
See application file for complete search history.

(56) **References Cited**

U.S. PATENT DOCUMENTS

D152,275 S * 1/1949 Ludwig D13/146
2,529,502 A * 11/1950 Kelly H01R 33/7664
439/252
D203,748 S * 2/1966 Seidoh D13/133
D296,325 S * 6/1988 Hugin D13/133

D328,279 S * 7/1992 Couto D13/133
D365,324 S * 12/1995 Grande D13/133
D514,070 S * 1/2006 Bachmann D13/149
D768,097 S * 10/2016 Powers D13/199
D817,881 S * 5/2018 Dobashi D13/133
D854,915 S * 7/2019 Beagen D8/354
2014/0073161 A1 * 3/2014 Winningham H01R 13/5213
439/271
2016/0252681 A1 * 9/2016 Ishiguro G02B 6/3829
385/76
2021/0288438 A1 * 9/2021 Zhang H01R 13/6272

* cited by examiner

Primary Examiner — Shawn T Gingrich

Assistant Examiner — Bryan N. Melvin

(74) *Attorney, Agent, or Firm* — Rankin, Hill & Clark
LLP

(57) **CLAIM**

The ornamental design for an electrical connector, as shown and described.

DESCRIPTION

FIG. 1 is a front, right side and top perspective view of an electrical connector in accordance with my new design; FIG. 2 is a front, right side and bottom perspective view thereof; FIG. 3 is a front elevation view thereof; FIG. 4 is a rear elevation view thereof; FIG. 5 is a left side view thereof, a right side view being a mirror image thereof; and, FIG. 6 is a top plan view thereof, a bottom plan view being a mirror image thereof.

The broken lines in the drawings illustrate portions of an electrical connector that form no part of the claimed design.

1 Claim, 3 Drawing Sheets

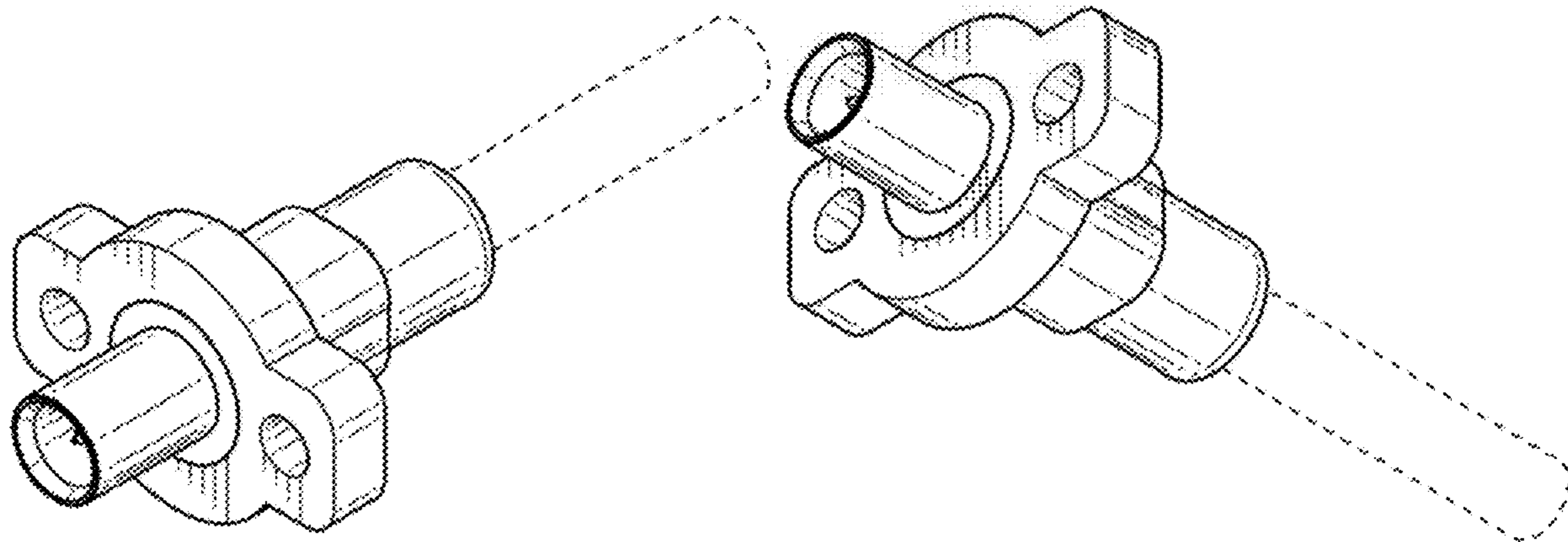


Fig.1

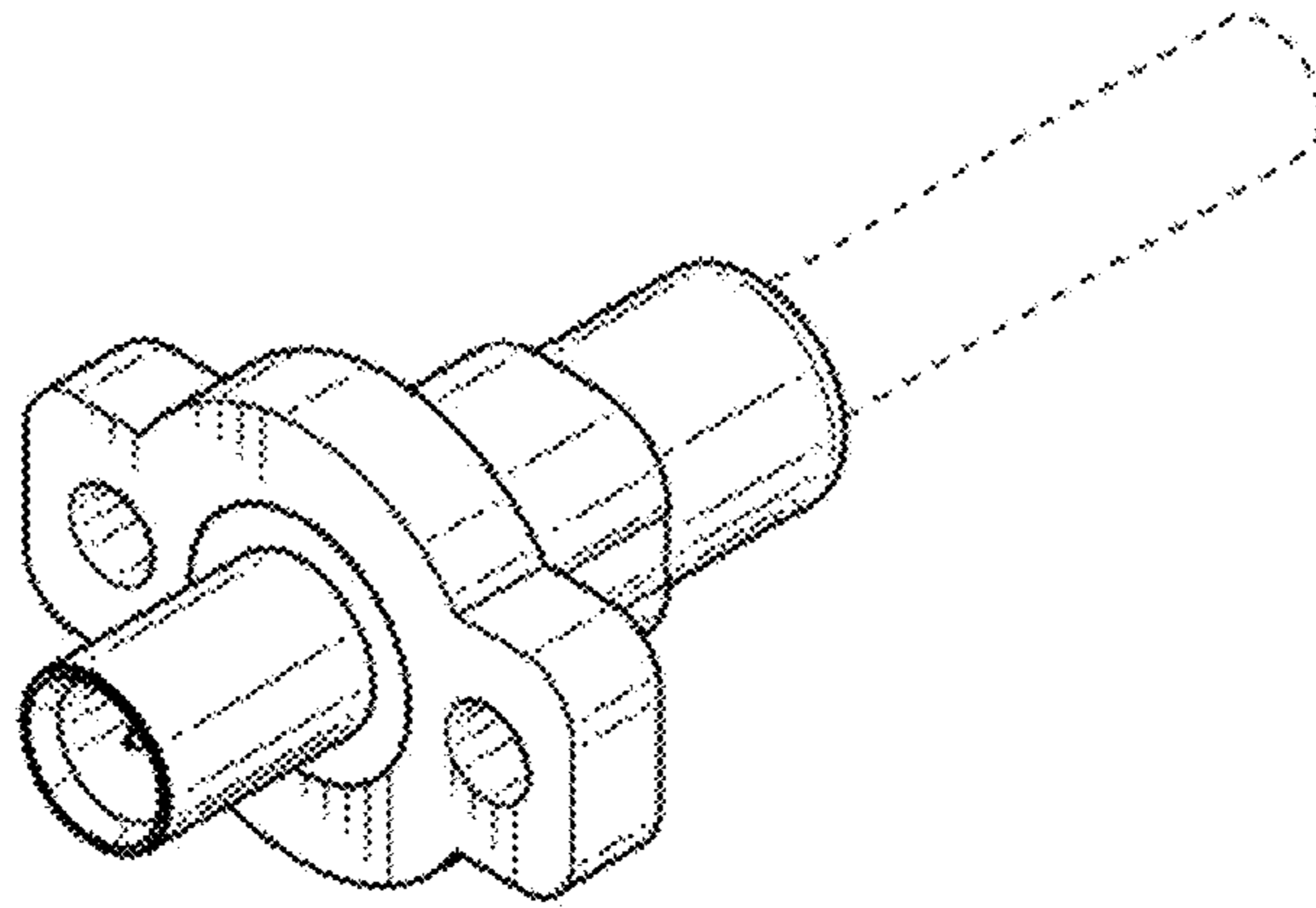


Fig.2

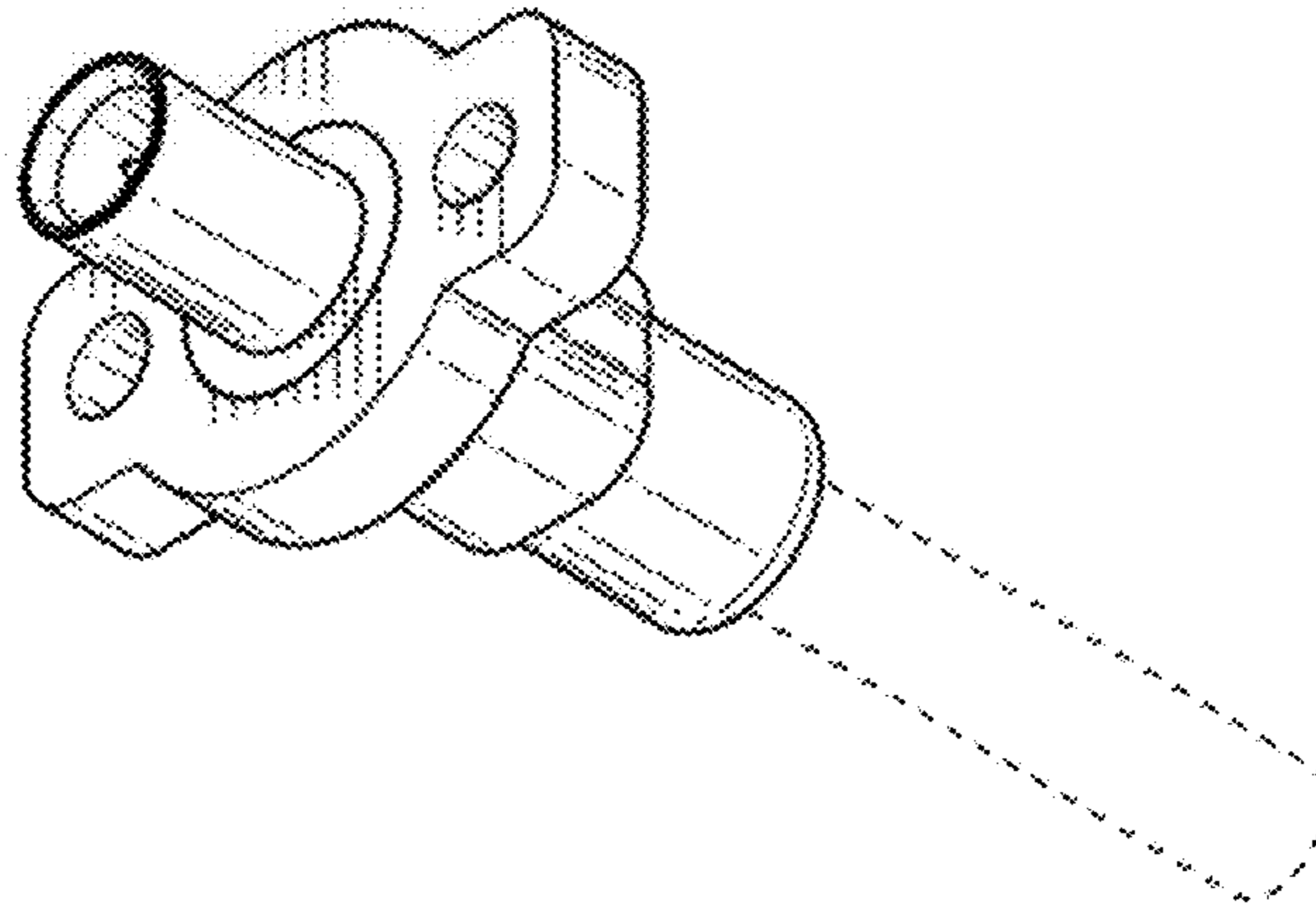


Fig.3

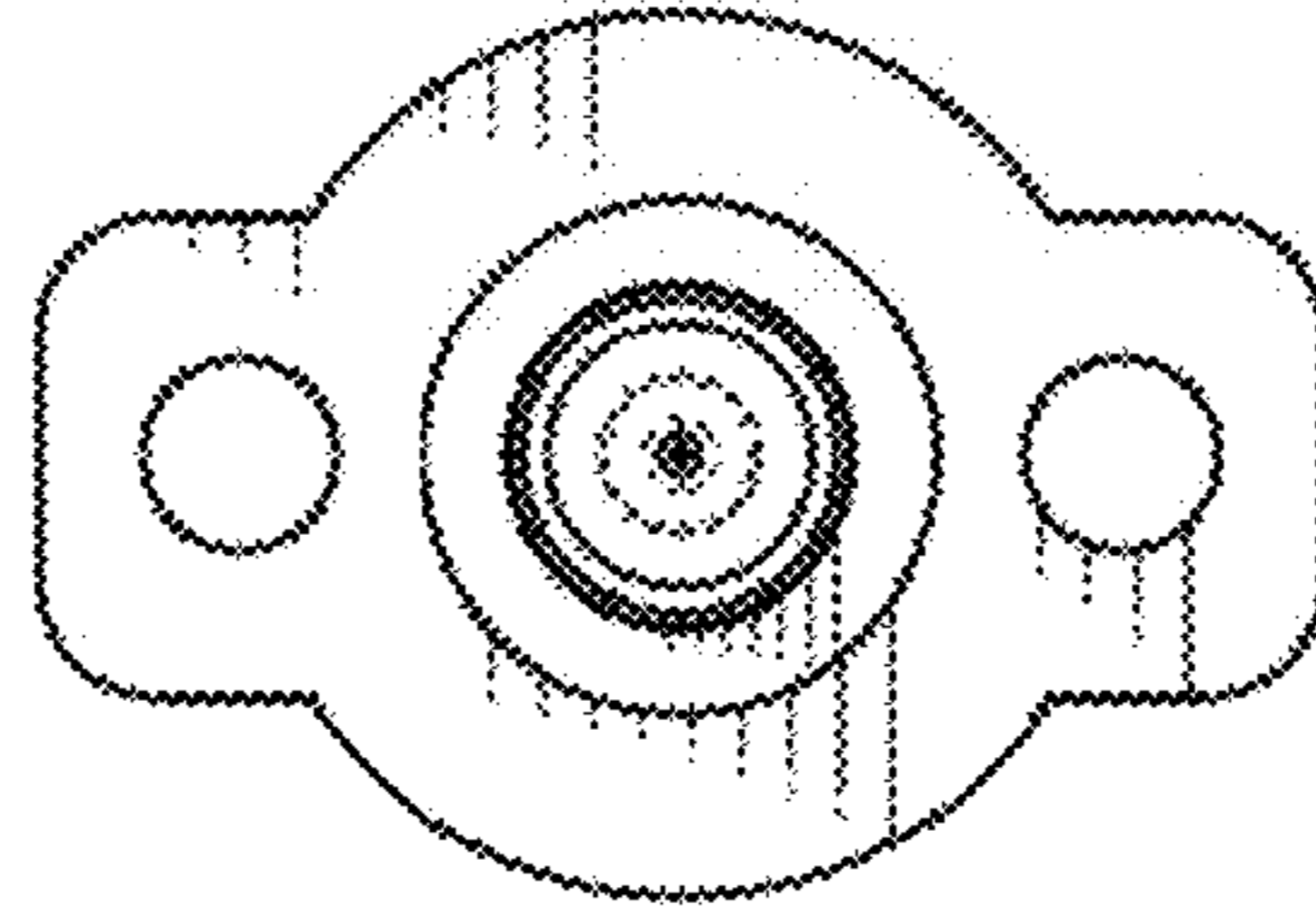


Fig.4

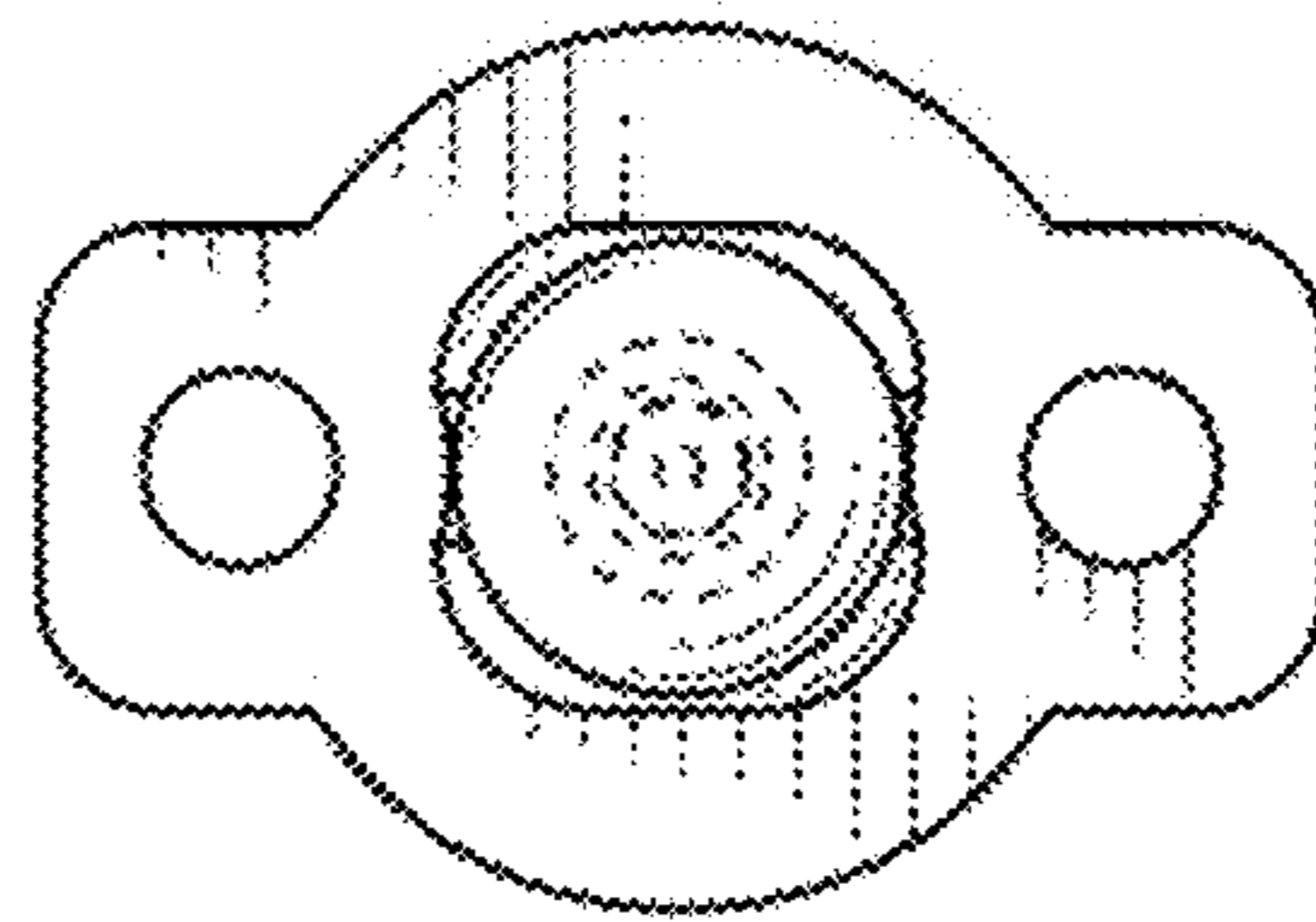


Fig.5

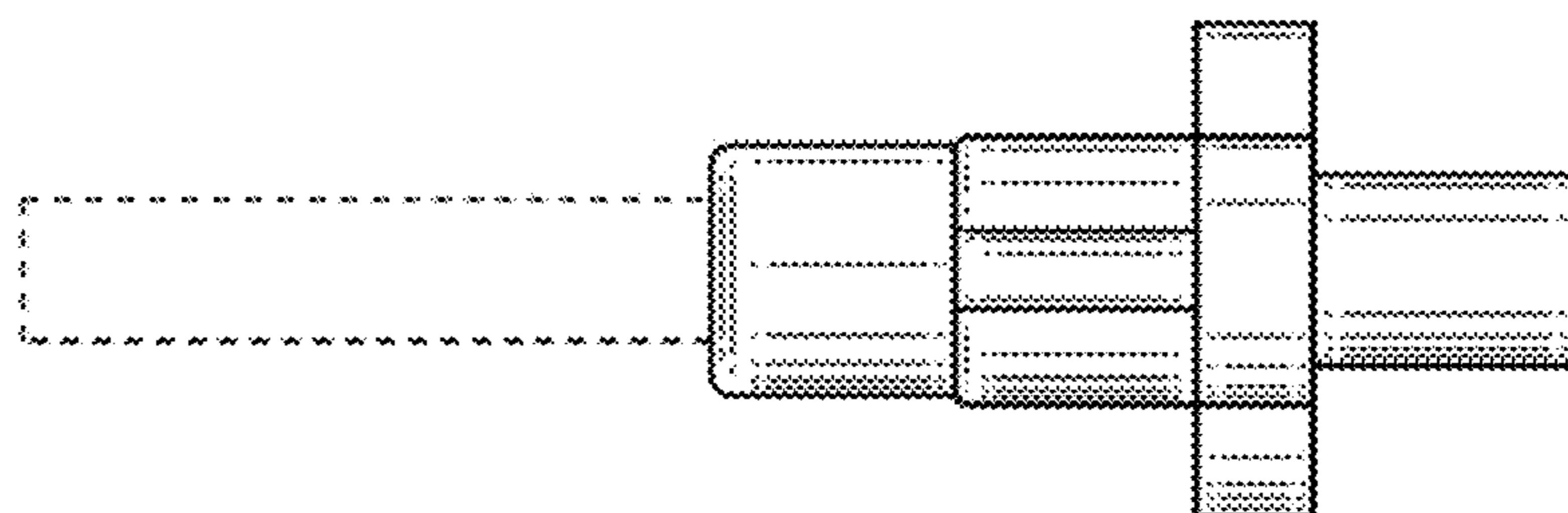


Fig.6

