

US00D962166S

(12) **United States Design Patent**
Tang

(10) **Patent No.:** **US D962,166 S**

(45) **Date of Patent:** **** Aug. 30, 2022**

(54) **COMPUTER POWER SUPPLY**

(71) Applicant: **ARESGAME TECHNOLOGY CORPORATION LIMITED**, Central Kowloon (HK)

(72) Inventor: **Weiqiang Tang**, Central Kowloon (HK)

(**) Term: **15 Years**

(21) Appl. No.: **29/781,409**

(22) Filed: **Apr. 29, 2021**

(51) **LOC (13) Cl.** **13-02**

(52) **U.S. Cl.**
USPC **D13/110**

(58) **Field of Classification Search**
USPC D13/110, 103, 107, 108, 118, 119, 123, D13/133, 137.1, 184, 199; D14/240, 251, D14/356, 432, 433, 434
CPC G06F 1/181; G06F 1/188; G06F 1/189; H02M 7/00; H02M 7/02; H02M 7/003; H02K 5/00; H02K 5/0017; H02K 7/00
See application file for complete search history.

(56) **References Cited**

U.S. PATENT DOCUMENTS

D465,453 S * 11/2002 Chan D13/110
D559,777 S * 1/2008 Hu D13/110
D564,961 S * 3/2008 Chen D13/110
D615,035 S * 5/2010 Farris-Gilbert D13/110

D658,582 S * 5/2012 Looi D13/110
D670,245 S * 11/2012 Du D13/110
D698,724 S * 2/2014 Palatini D13/110
D770,975 S * 11/2016 Nada D13/110

OTHER PUBLICATIONS

https://www.amazon.com/s?k=EVGA-Warranty-Power-Supply&crd=5HZLNTTVB1QW&sprefix=evga-warranty-power-supply%2Caps%2C1452&ref=nb_sb_noss_2 Sep. 6, 2016 (Year: 2016).*

* cited by examiner

Primary Examiner — Derrick E Holland

(57) **CLAIM**

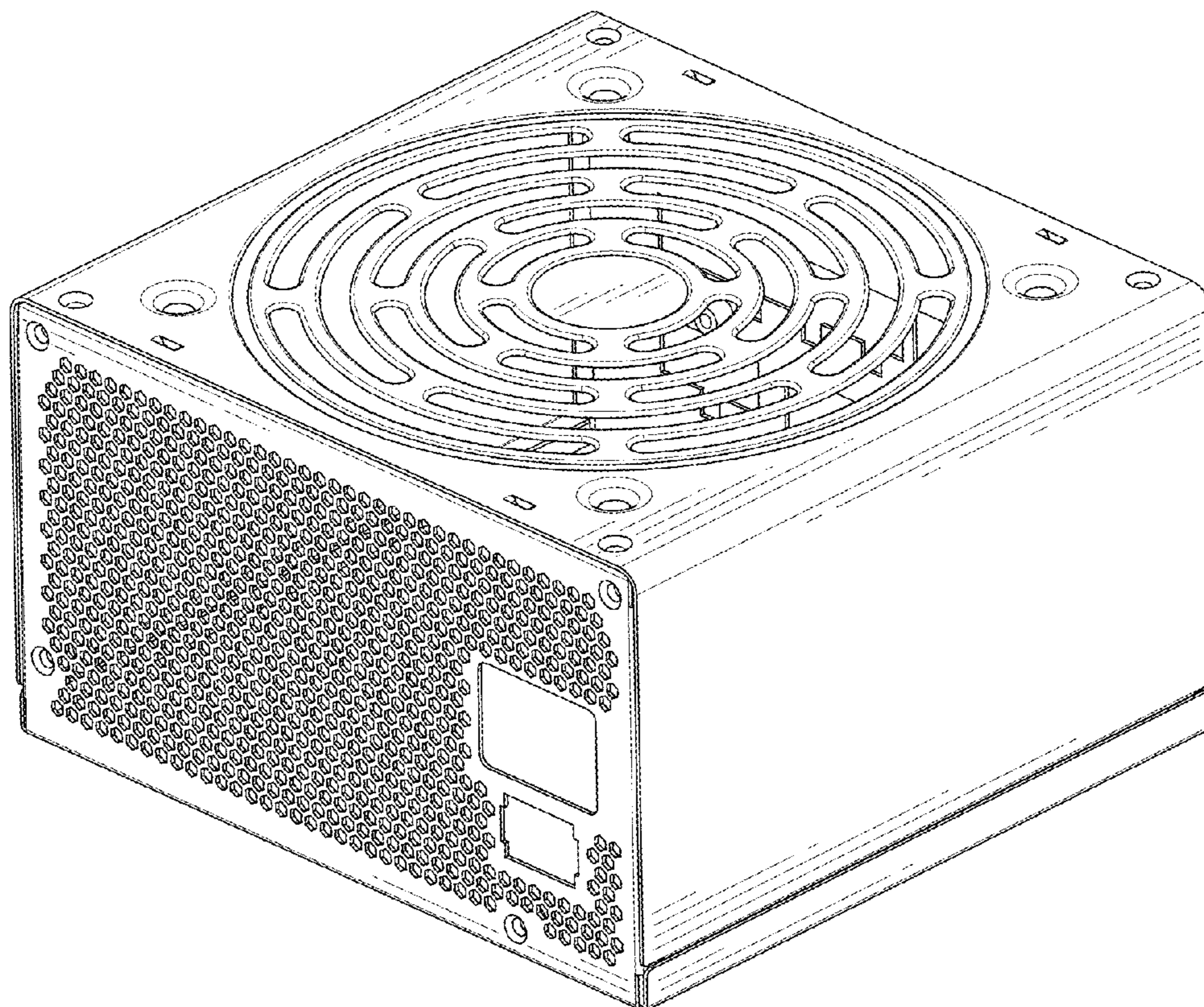
The ornamental design for a computer power supply, as shown and described.

DESCRIPTION

FIG. 1 is a front, right side, top perspective view of a computer power supply showing my new design; FIG. 2 is a rear, left side, bottom perspective view thereof; FIG. 3 is a front elevational view thereof; FIG. 4 is a rear elevational view thereof; FIG. 5 is a left side elevational view thereof; FIG. 6 is a right side elevational view thereof; FIG. 7 is a top plan view thereof; and, FIG. 8 is a bottom plan view thereof.

The broken lines depict portions of the computer power supply that form no part of the claimed design.

1 Claim, 8 Drawing Sheets



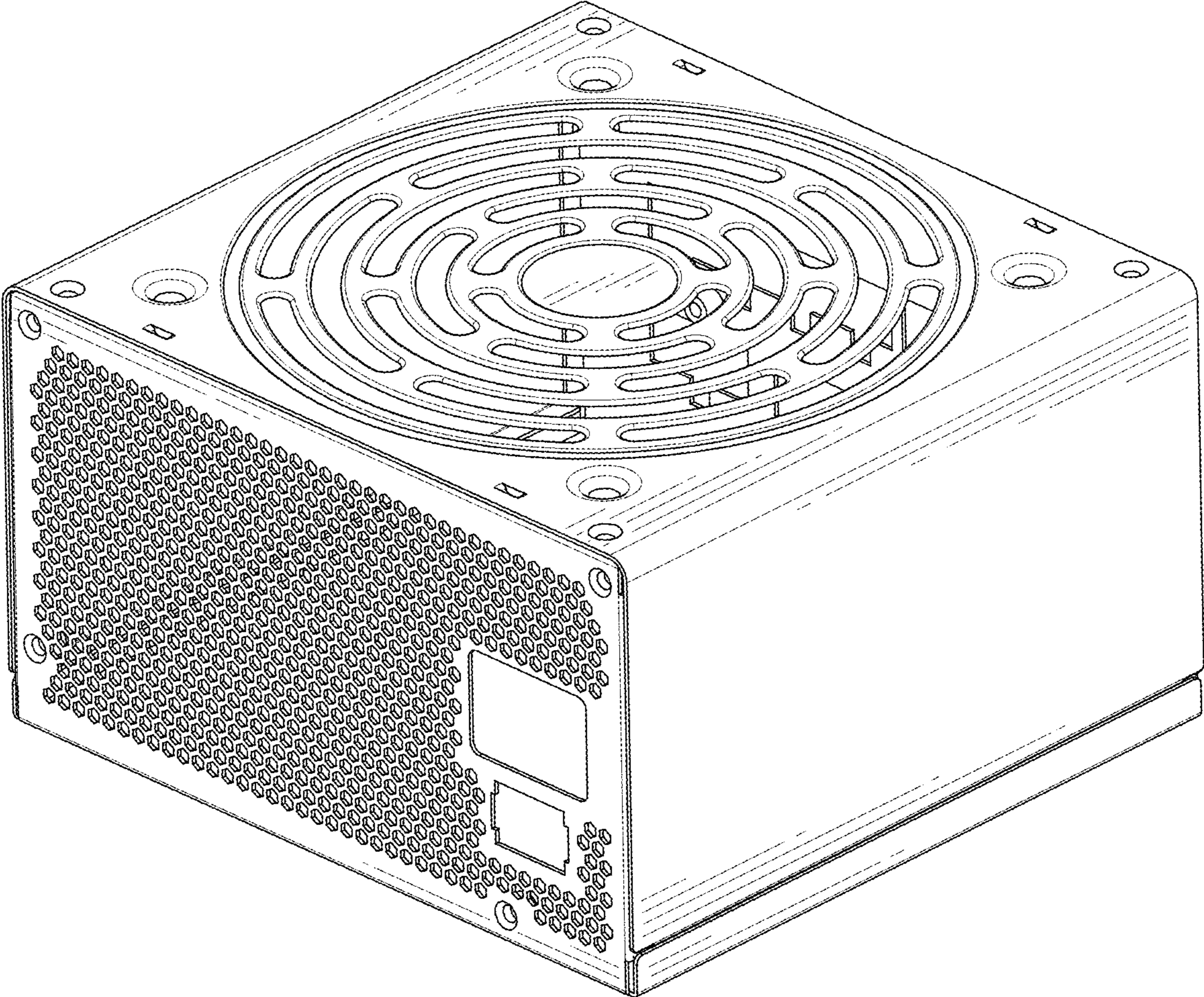


FIG. 1

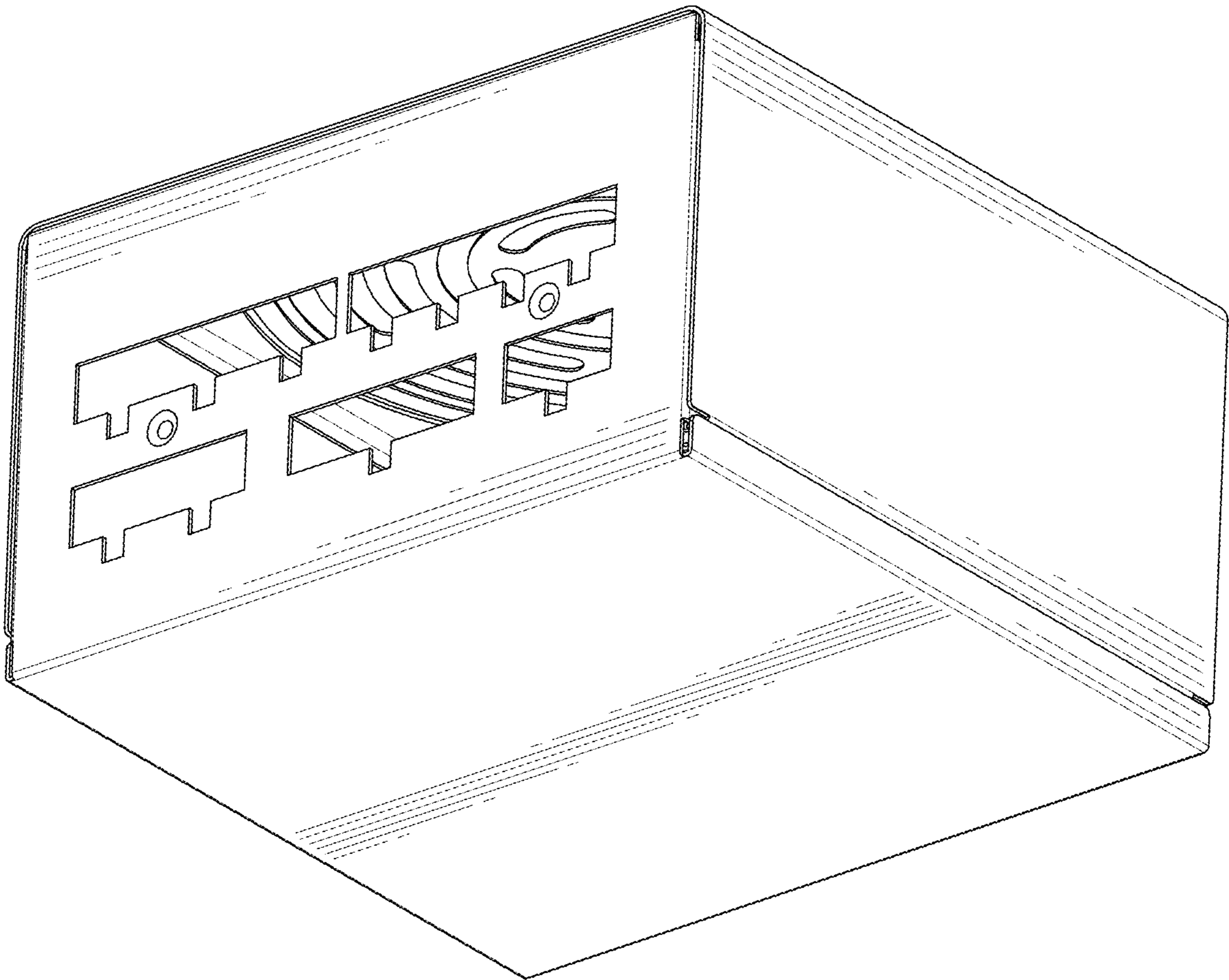


FIG.2

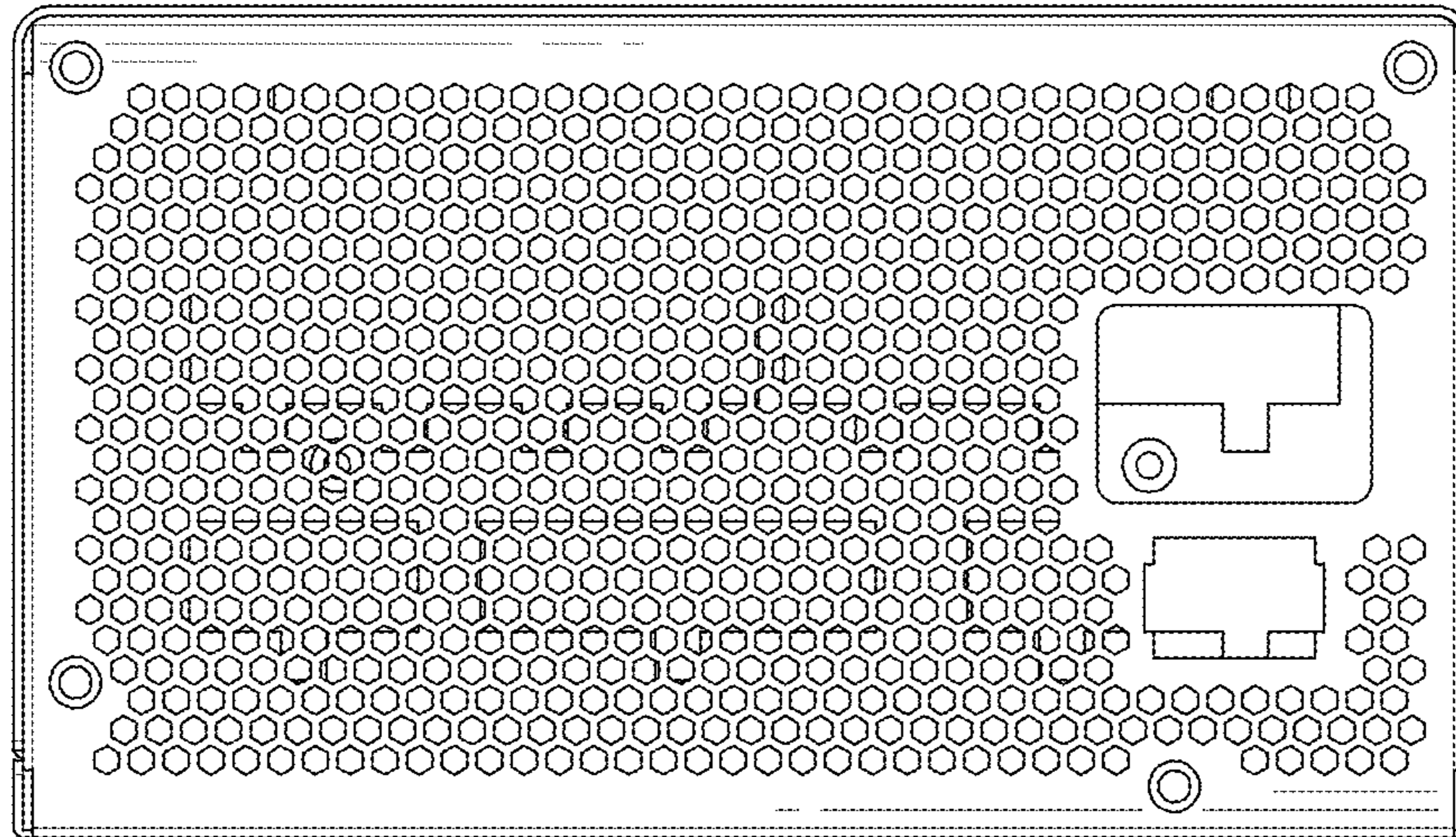


FIG.3

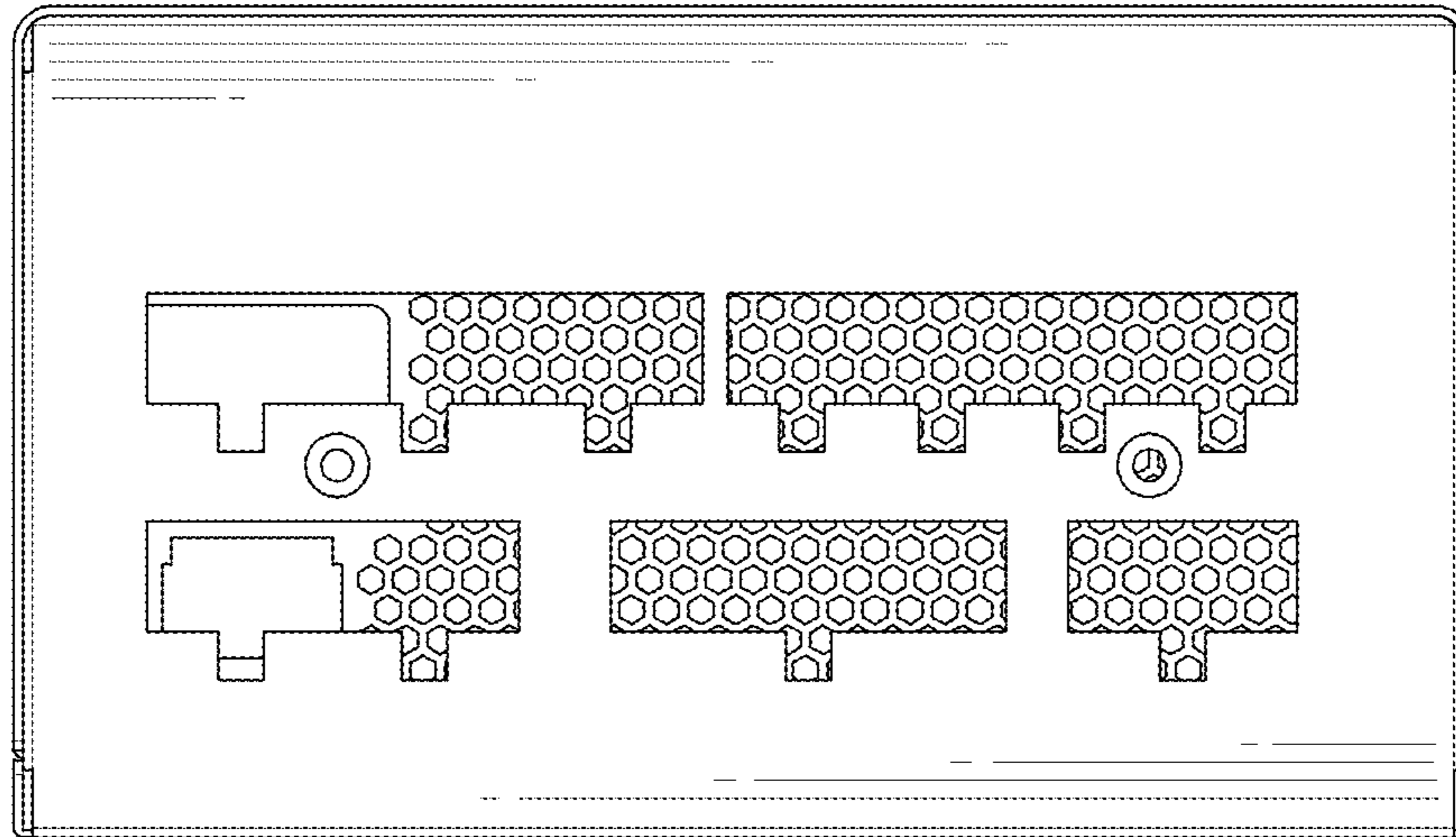


FIG.4

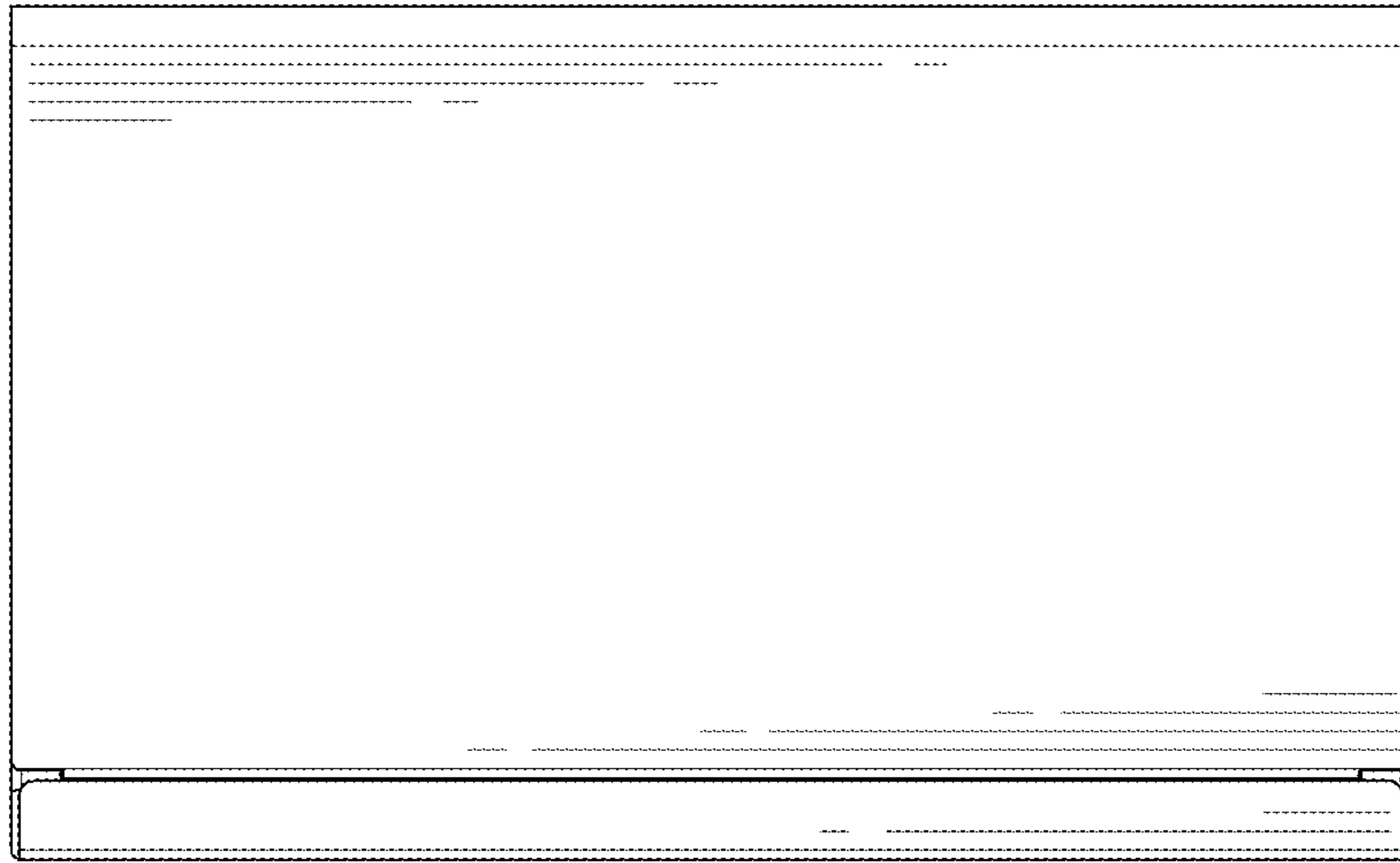


FIG.5

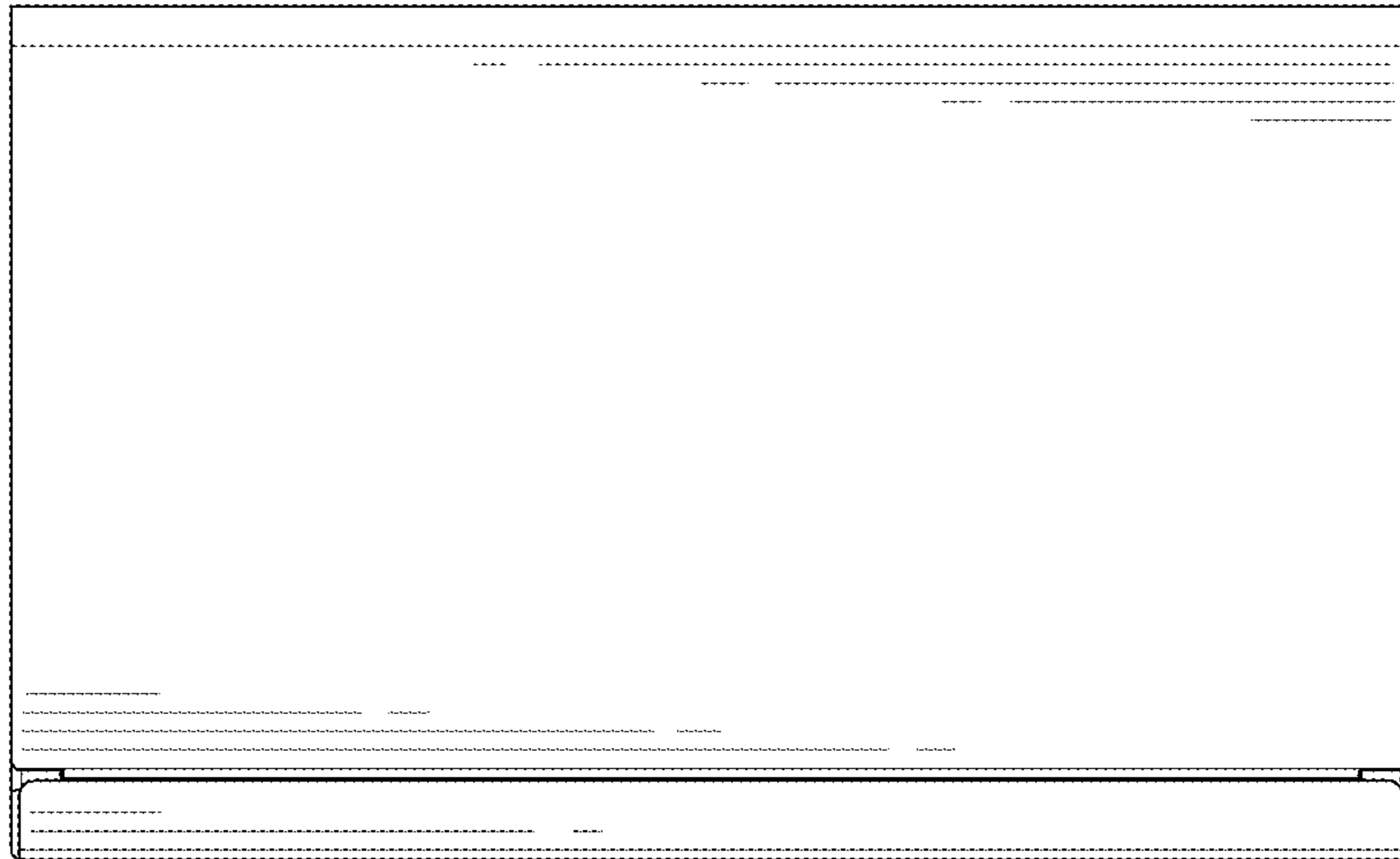


FIG.6

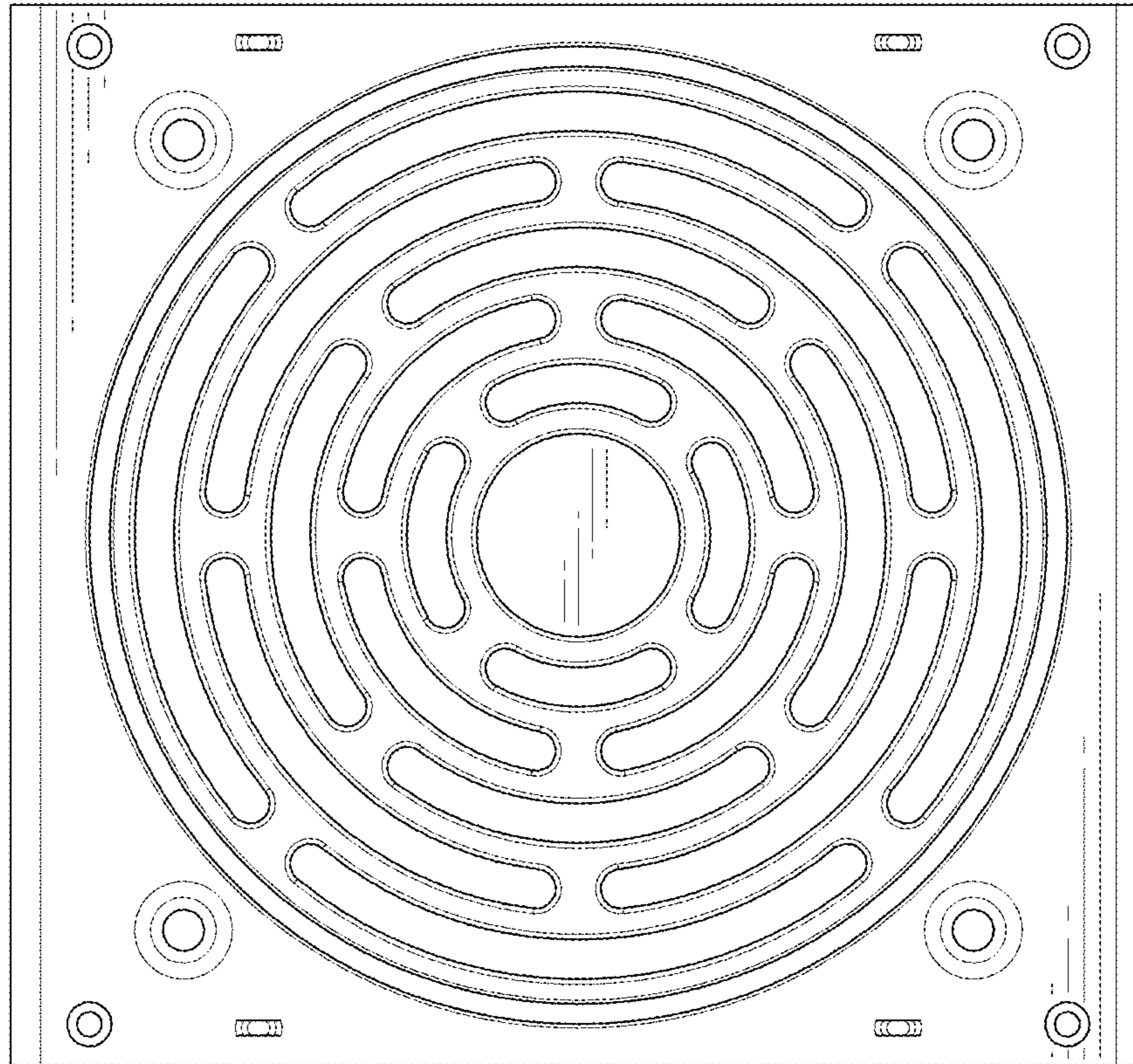


FIG.7

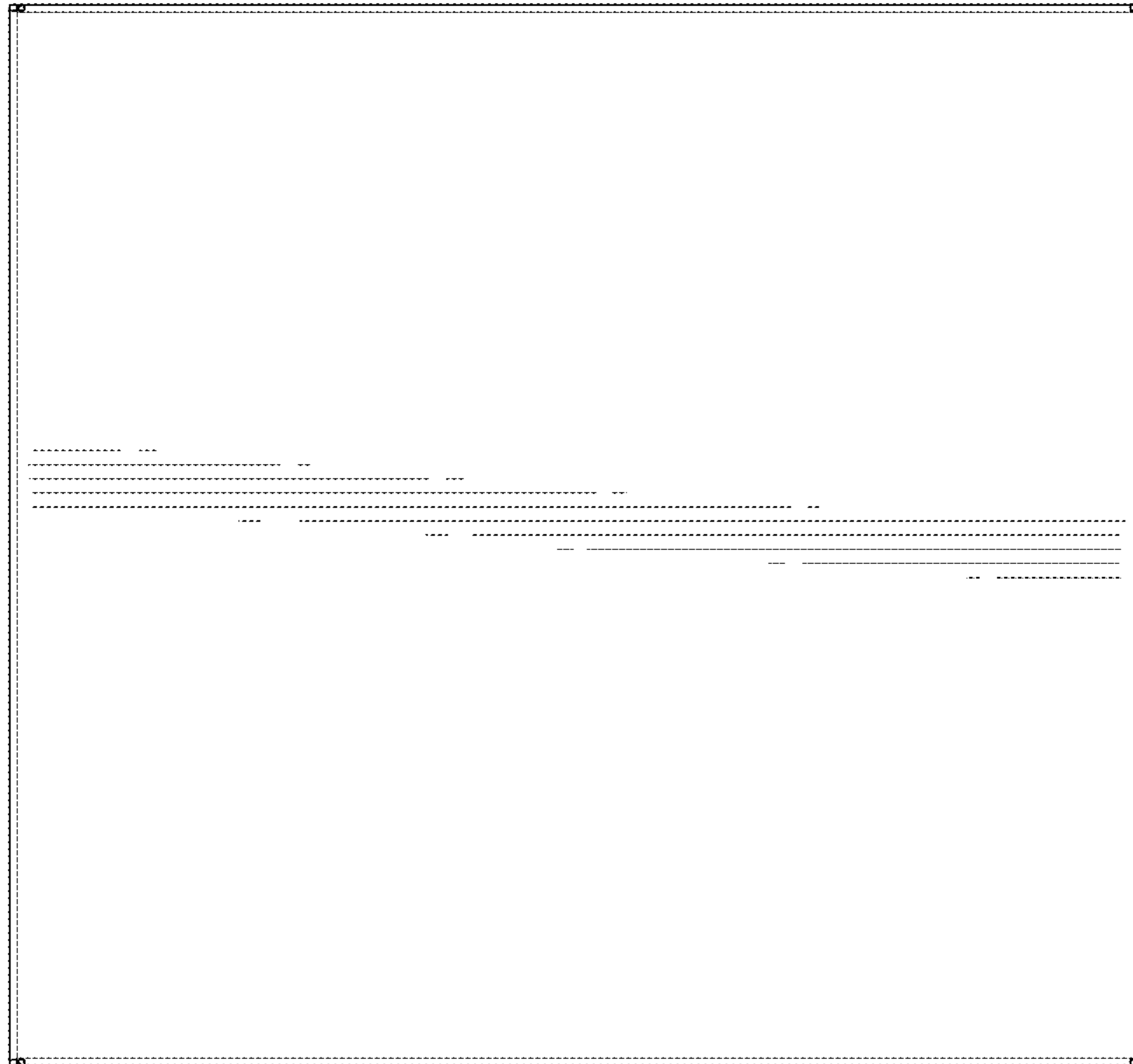


FIG.8