



US00D962165S

(12) **United States Design Patent**
Barr

(10) **Patent No.:** **US D962,165 S**

(45) **Date of Patent:** **** Aug. 30, 2022**

(54) **PORTABLE POWER BANK**

(71) Applicant: **Shimi Barr**, Waverley (AU)

(72) Inventor: **Shimi Barr**, Waverley (AU)

(73) Assignee: **Strategies Unleashed Pty Ltd**

(**) Term: **15 Years**

(21) Appl. No.: **29/722,211**

(22) Filed: **Jan. 28, 2020**

(51) **LOC (13) Cl.** **13-02**

(52) **U.S. Cl.**

USPC **D13/110**

(58) **Field of Classification Search**

USPC D13/103, 199, 107, 108, 110, 184, 104,
D13/105, 106, 118, 119; D15/9;
D14/432, 434

CPC H02J 1/122; H02J 7/0045; H02J 7/0078;
H02J 7/00714; H02J 7/00716; H02J
7/0025; H02J 7/0027; H02J 7/14; H02J
7/1461; H02M 7/003; H02M 7/42

See application file for complete search history.

(56) **References Cited**

U.S. PATENT DOCUMENTS

D594,405 S *	6/2009	Murray	D13/107
D609,632 S *	2/2010	Daniels	D13/107
D609,633 S *	2/2010	Daniels	D13/107
D609,634 S *	2/2010	Daniels	D13/107
D609,635 S *	2/2010	Daniels	D13/107
D624,492 S *	9/2010	Daniels	D13/107
D624,493 S *	9/2010	Daniels	D13/107
D624,876 S *	10/2010	Daniels	D13/107
D634,706 S *	3/2011	Takeno	D13/107
D664,499 S *	7/2012	Workman	D13/107
D695,680 S *	12/2013	Workman	D13/103
D764,403 S *	8/2016	Azuma	D13/103
D837,149 S *	1/2019	Yin	D13/108
D842,240 S *	3/2019	Lai	D13/107

FOREIGN PATENT DOCUMENTS

CN	304431668	*	12/2017
CN	304783423	*	8/2018
CN	304788168	*	8/2018

OTHER PUBLICATIONS

“HomePower ONE: Backup Battery Power Station”, first accessed Apr. 13, 2021. Generark.com [https://generark.com/products/homepower-one?currency=USD&variant=35814966460573&utm_medium=cpc&utm_source=google&utm_campaign=G%E2%80%A6] (Year: 2021).*

“HALO Portable Back-up Power Station w/AC Outlets, USB and DC Ports”, first accessed Apr. 13, 2021. QVC.com [https://www.qvc.com/qvc.product.E234476.html?colorId=180&sizeId=000&ref=GBA&cm_mmc=GOOGLESHOPPINGFEED-_-GShopping|M|Generic|E2%80%A6] (Year: 2021).*

(Continued)

Primary Examiner — Rosemary K Tarcza

Assistant Examiner — Seth David Kumpf

(74) *Attorney, Agent, or Firm* — Galbreath Law Offices, P.C.; John A. Galbreath

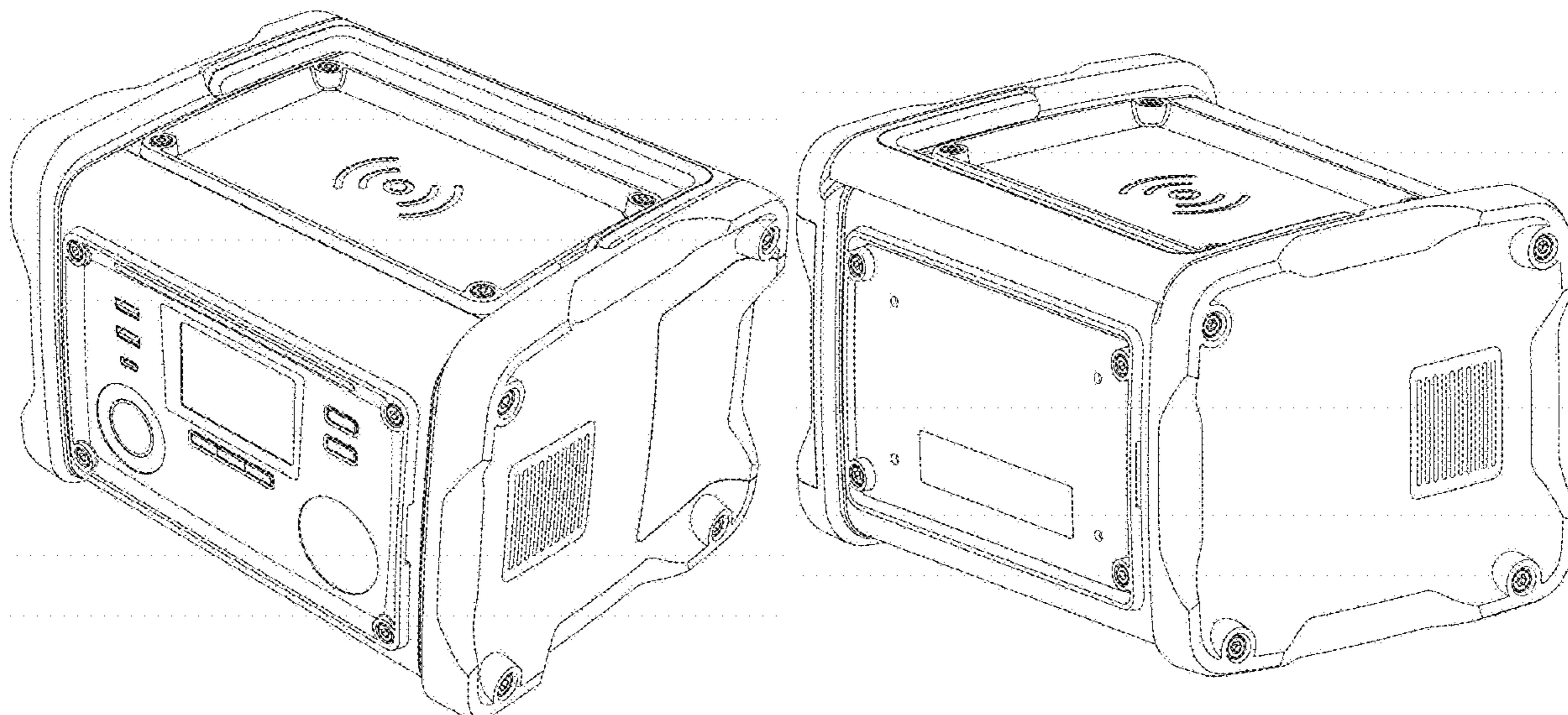
(57) **CLAIM**

The ornamental design for a portable power bank, as shown and described.

DESCRIPTION

FIG. 1 is a top right perspective view of a portable power bank showing my new design;
FIG. 2 is a front elevational view thereof;
FIG. 3 is a rear elevational view thereof;
FIG. 4 is a right side elevational view thereof;
FIG. 5 is a left side elevational view thereof;
FIG. 6 is a top plan view thereof;
FIG. 7 is a bottom plan view thereof;
FIG. 8 is a right front perspective view thereof; and,
FIG. 9 is a left rear perspective view thereof.

1 Claim, 9 Drawing Sheets



(56)

References Cited

OTHER PUBLICATIONS

“350W Portable Power Station, EnginStar 296Wh Backup Lithium Battery with Wireless Charger, Solar Generator (Solar Panel Buy Separately) for Outdoors Camping Travel CPAP Machine Emergency”, first available May 13, 2020. Amazon.com [https://www.amazon.com/Portable-Station-Flashlight-Outdoors-Emergency/dp/B088KDGC1C/ref=sr_1_68_sspa?dchild=1&keywords=Energy+Storag%E2%80%A6] (Year: 2020).*

“BALDR Portable Power Station 330W, Portable Solar Generators for home use, Emergency Lithium Battery with QC3.0 & Type C, 110V AC Outlet for Outdoor RV Camping Travel”, first available Jan. 17, 2020. Amazon.com [https://www.amazon.com/BALDR-Portable-Generators-Flashlight-Emergency/dp/B07YWWVRWD/ref=sr_1_1_sspa?dchild=1&keywords=Power+Sou%E2%80%A6] (Year: 2020).*

* cited by examiner

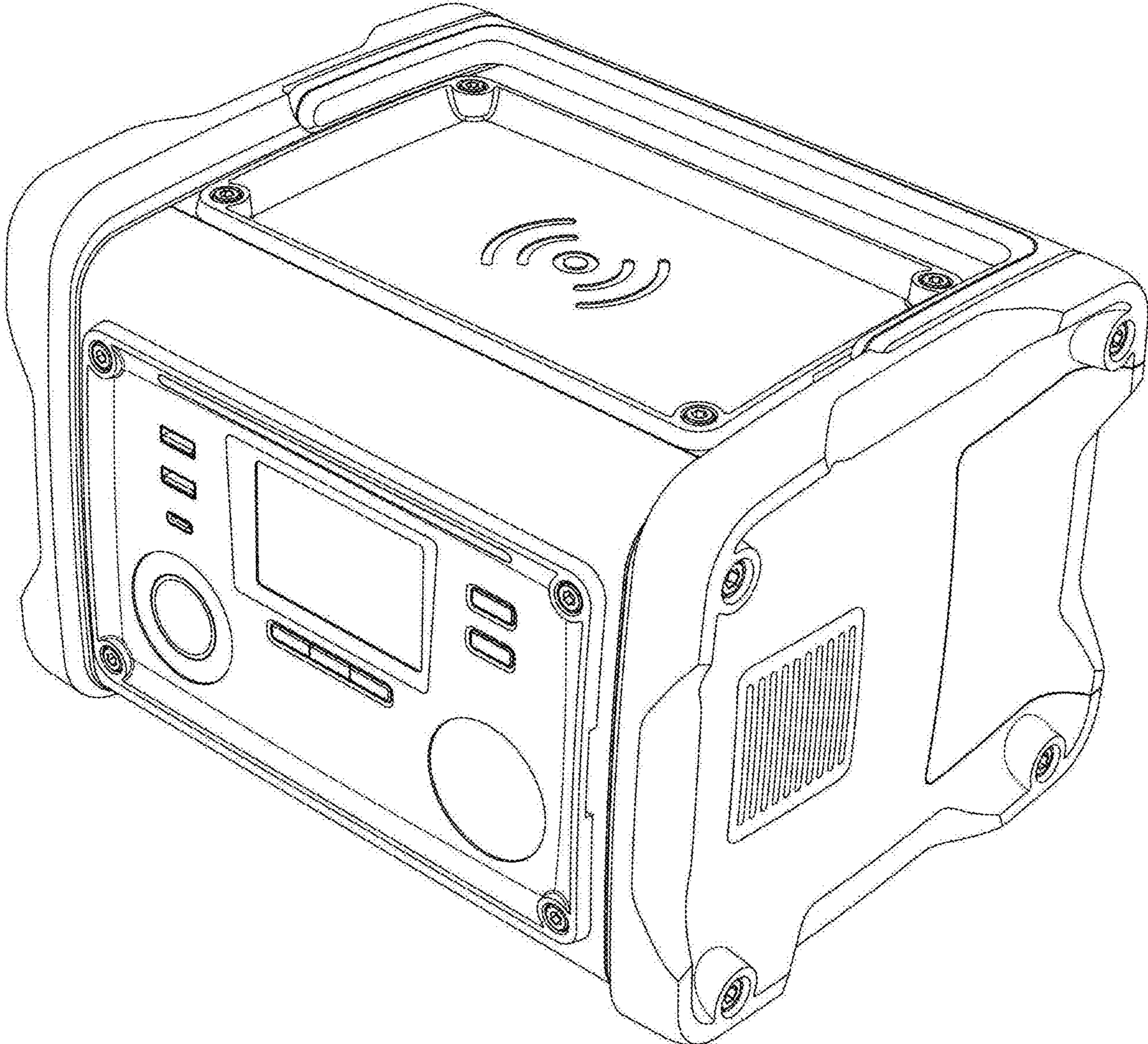


Figure 1

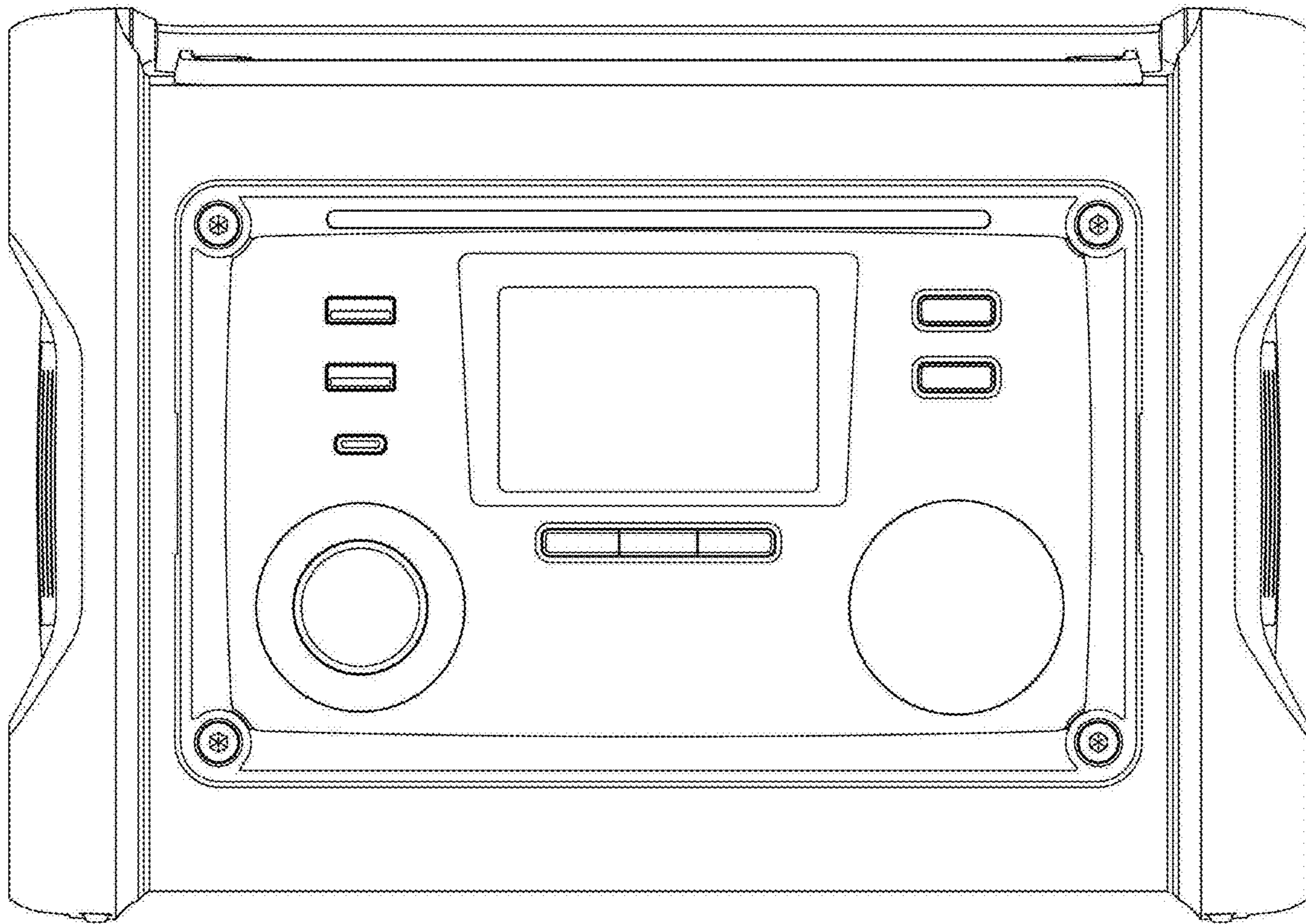


Figure 2

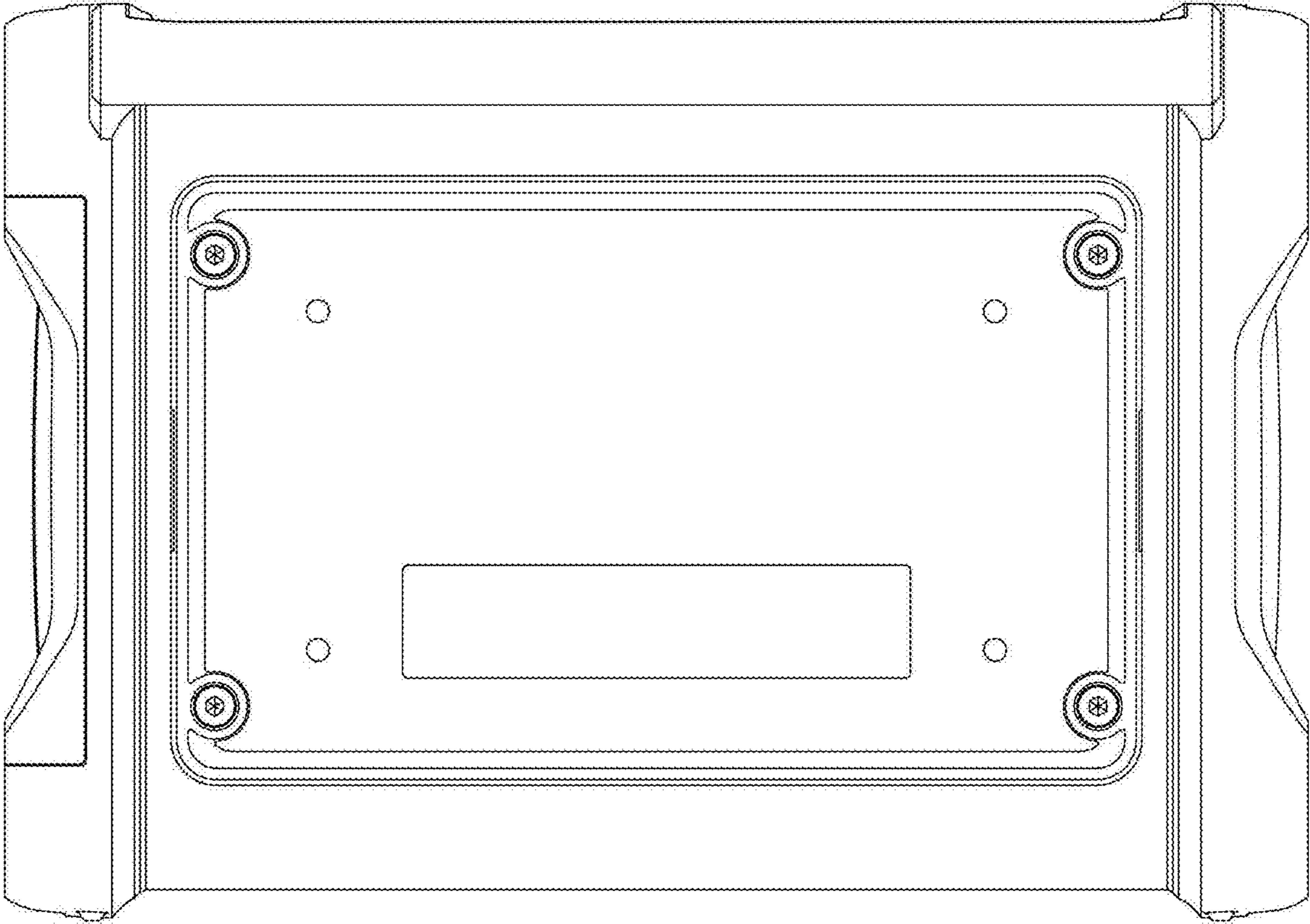


Figure 3

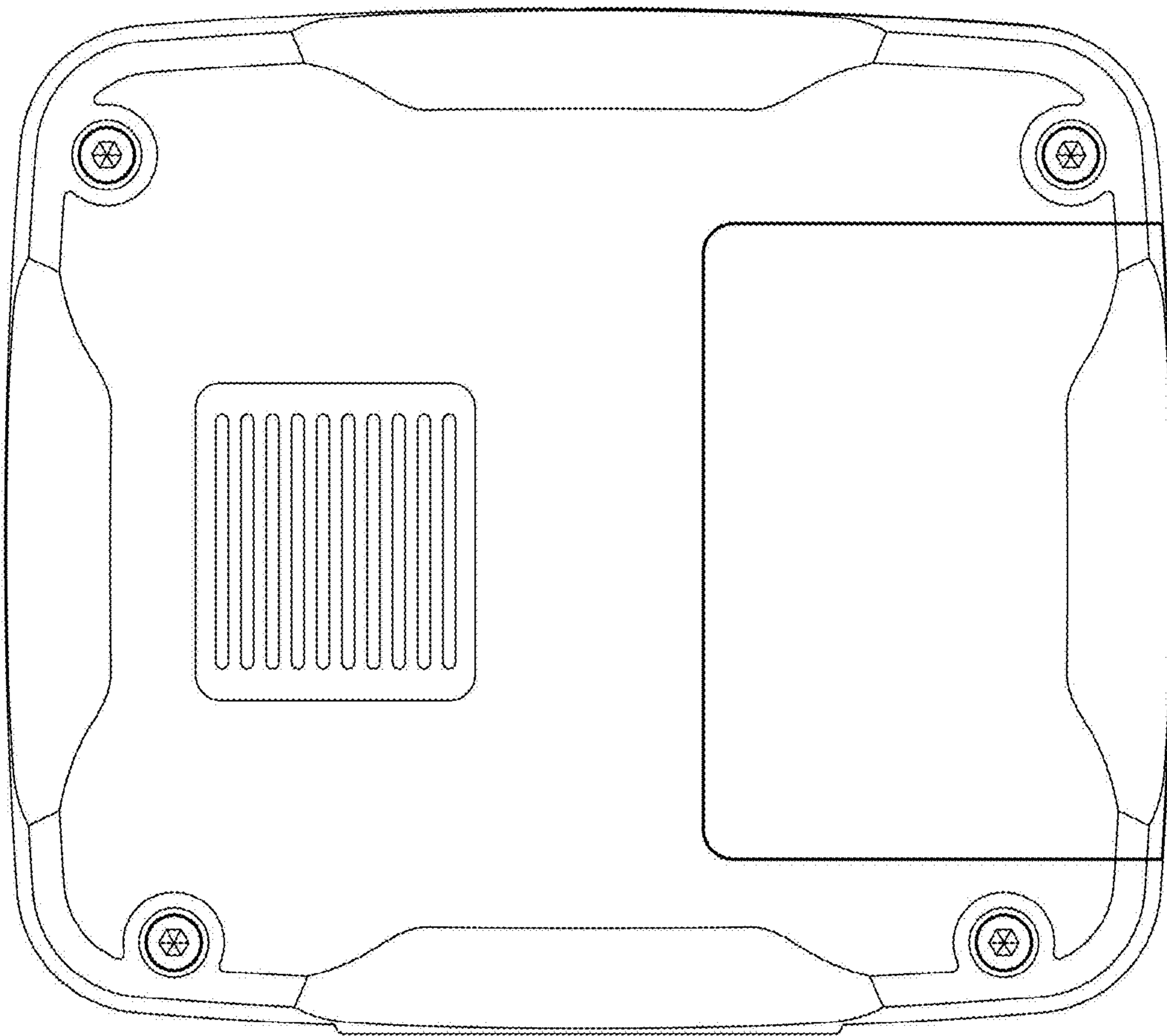


Figure 4

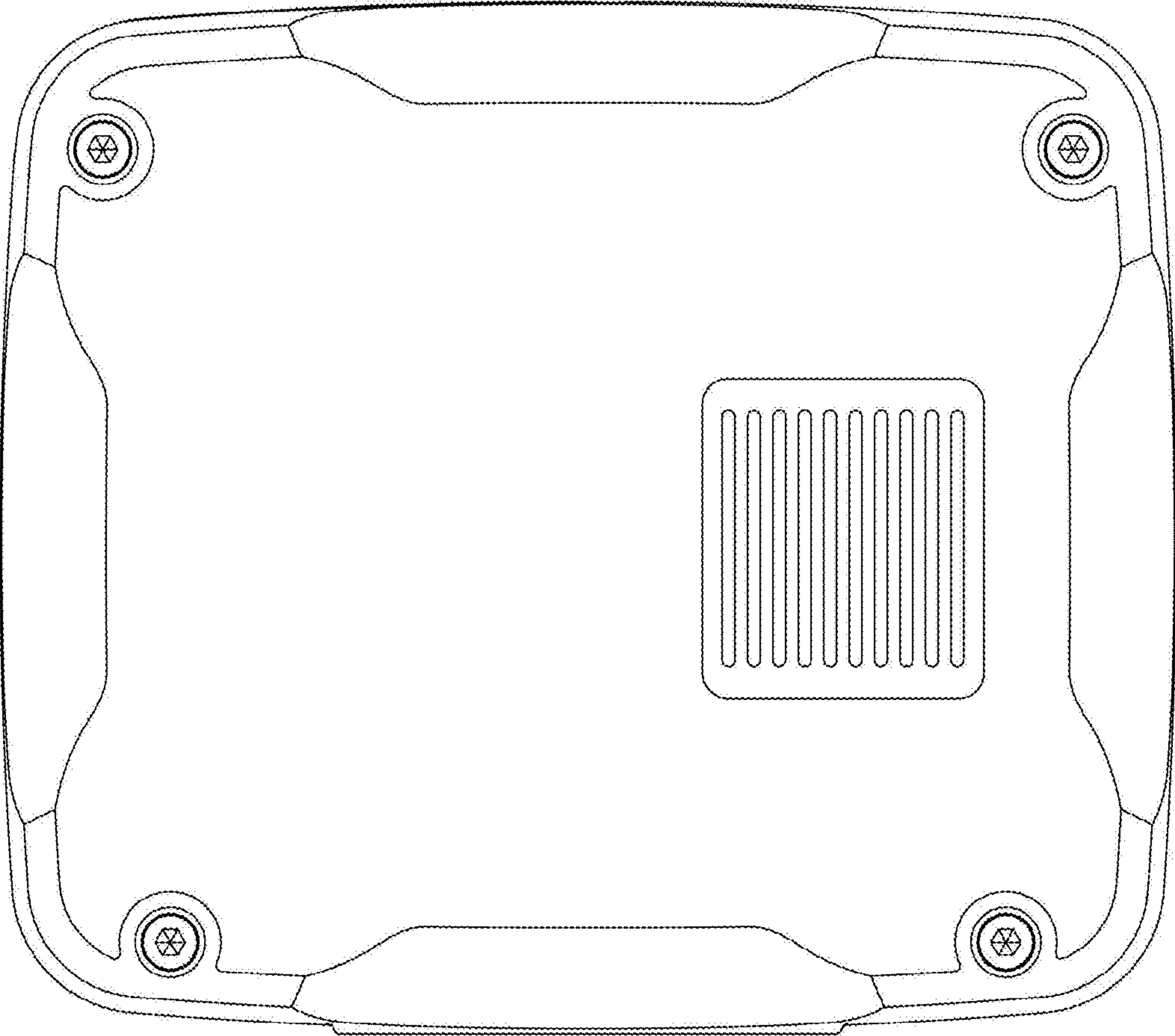


Figure 5

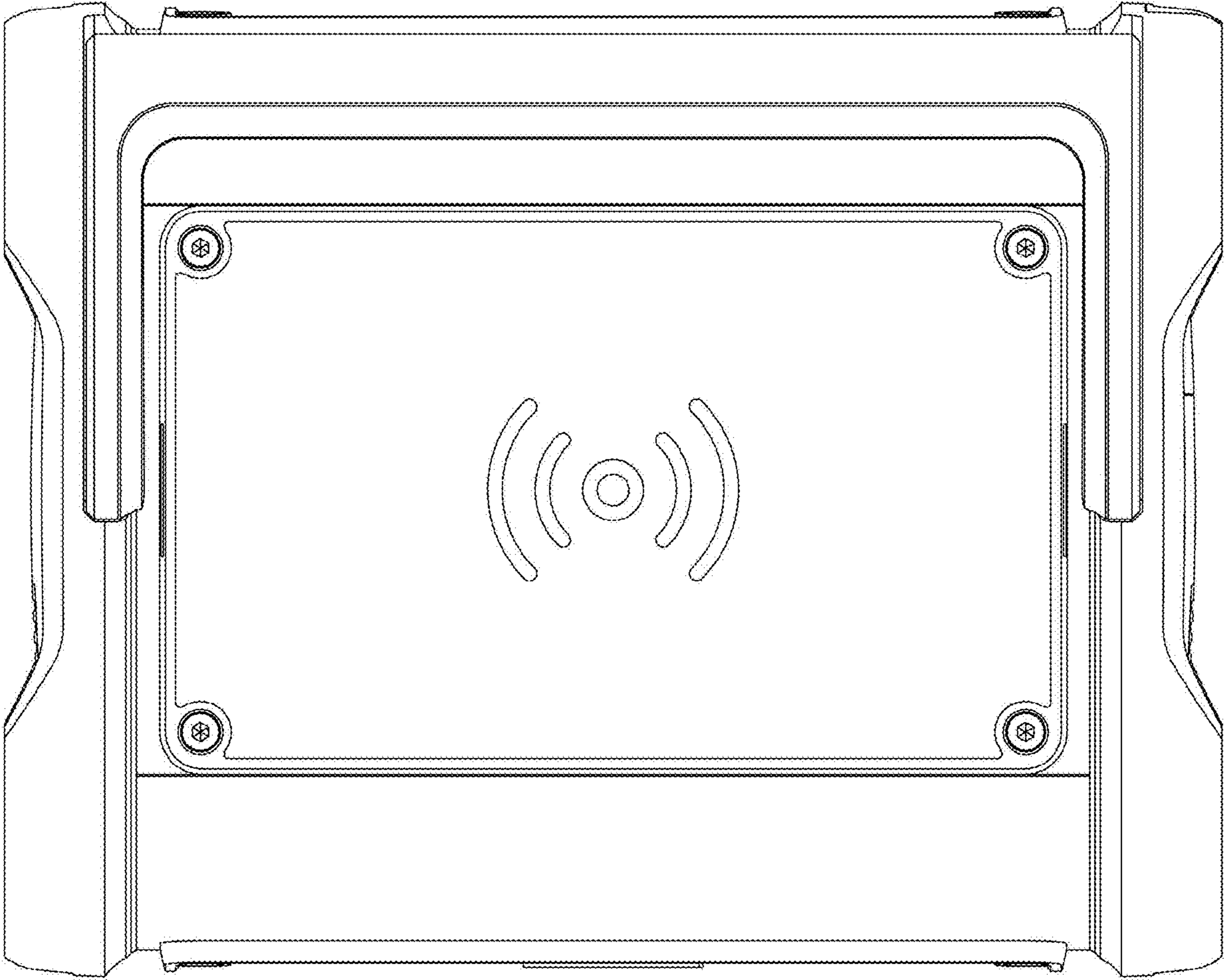


Figure 6

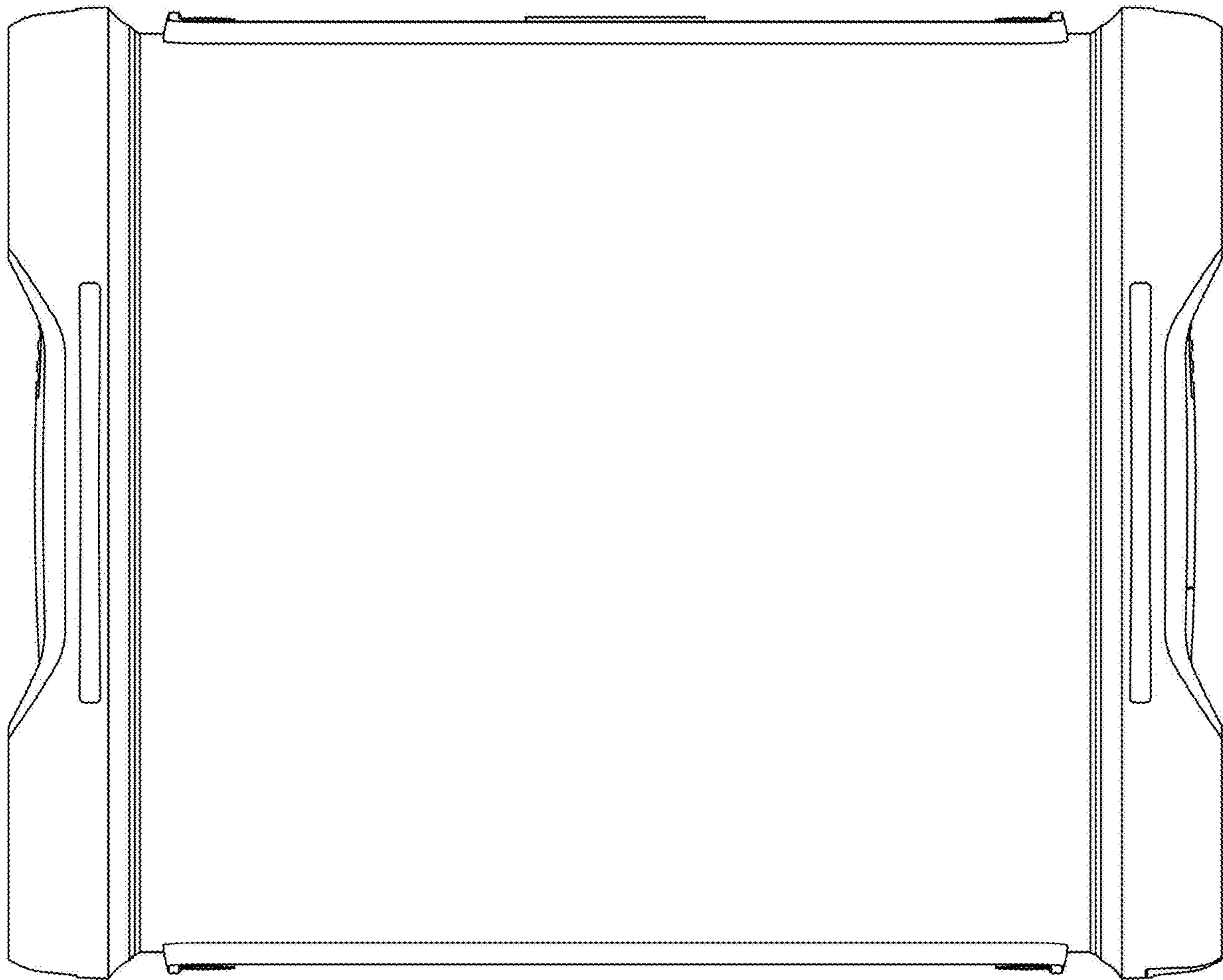


Figure 7

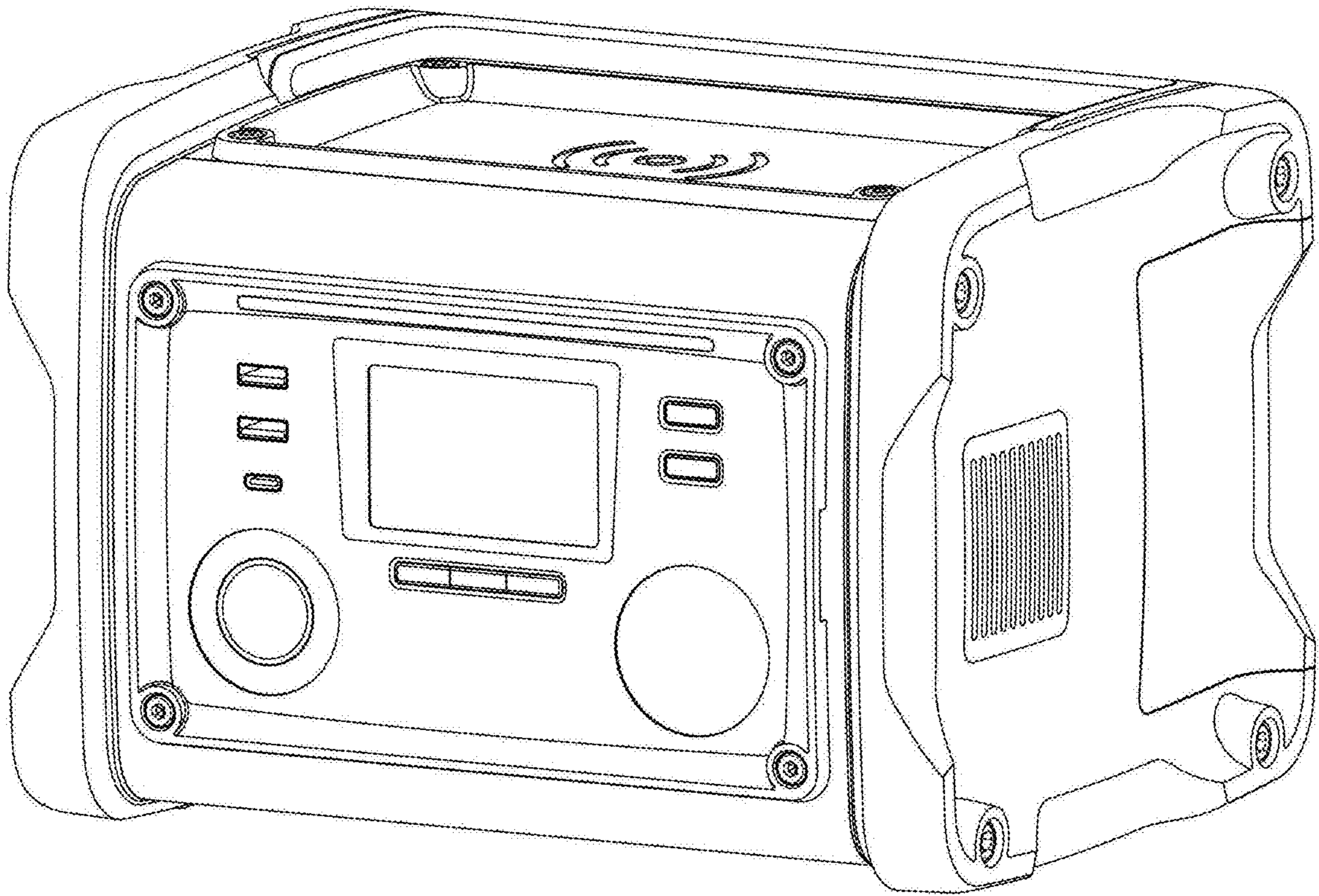


Figure 8

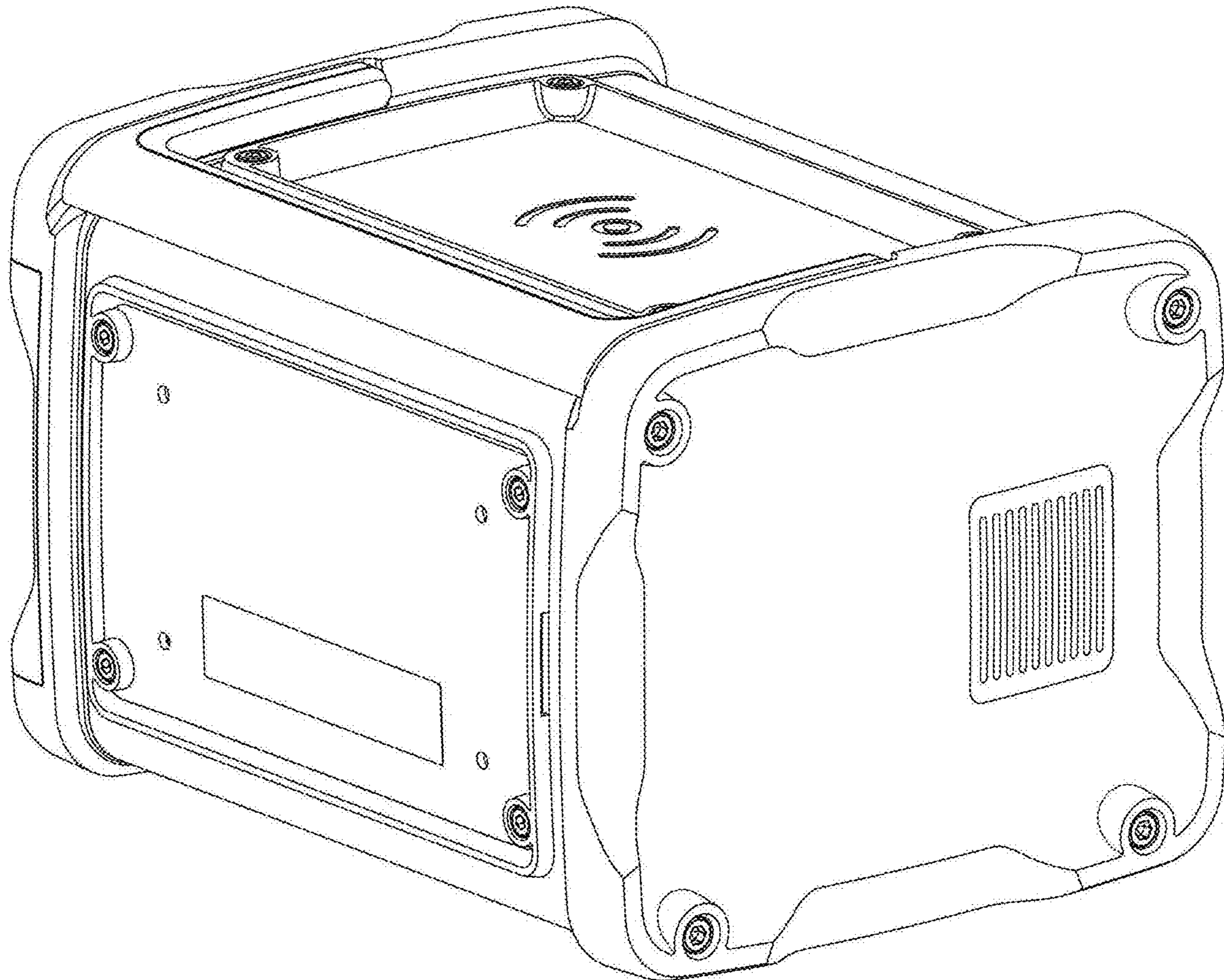


Figure 9