



US00D962164S

(12) **United States Design Patent** (10) **Patent No.:** **US D962,164 S**
Takahashi et al. (45) **Date of Patent:** **** Aug. 30, 2022**

(54) **WIRELESS CHARGING FLOOR PANEL**

(71) Applicant: **Mitsubishi Electric Corporation**,
Tokyo (JP)

(72) Inventors: **Akiko Takahashi**, Tokyo (JP); **Fumie Otsubo**, Tokyo (JP)

(73) Assignee: **Mitsubishi Electric Corporation**,
Tokyo (JP)

(**) Term: **15 Years**

(21) Appl. No.: **29/799,895**

(22) Filed: **Jul. 16, 2021**

Related U.S. Application Data

(62) Division of application No. 29/718,205, filed on Dec. 20, 2019, now Pat. No. Des. 943,520.

(30) **Foreign Application Priority Data**

Jul. 11, 2019 (JP) 2019-015546
Jul. 11, 2019 (JP) 2019-015547
Jul. 11, 2019 (JP) 2019-015548
Jul. 11, 2019 (JP) 2019-015549
Jul. 11, 2019 (JP) 2019-015550

(51) **LOC (13) Cl.** **13-02**

(52) **U.S. Cl.**
USPC **D13/108**

(58) **Field of Classification Search**
USPC D13/103, 107, 108, 109, 110, 117, 118,
D13/119, 120, 121, 122, 184, 199;
D14/356, 432, 433, 434; D25/138, 152
CPC H02J 50/05; H02J 15/00; H04B 1/3877
See application file for complete search history.

(56) **References Cited**

U.S. PATENT DOCUMENTS

D723,459 S * 3/2015 Dang D13/108
D729,163 S * 5/2015 Meyer D13/107
D746,290 S * 12/2015 Spinella D14/433

9,231,430 B2 1/2016 Natsume et al.
D760,922 S * 7/2016 Bilge D25/138
D782,977 S 4/2017 Zhang
D788,700 S * 6/2017 Yang D13/108
D840,498 S 2/2019 Miskovich
10,256,657 B2 4/2019 Hosseini et al.
D852,133 S 6/2019 Rogala
(Continued)

OTHER PUBLICATIONS

“Polmxs Wireless Charger”. Found online Mar. 22, 2022 at amazon.com. Reference dated Aug. 31, 2018. Retrieved from <https://www.amazon.com.au/Wireless-Charger-Charging-Station-C3/dp/B07GZZX37F>. (Year: 2018).*

“CarQiWireless Wireless Charger”. Found online Mar. 22, 2022 at amazon.com. Reference dated Aug. 30, 2019. Retrieved from https://www.amazon.com.au/CarQiWireless-Wireless-Charger-Charging-Accessories/dp/B07X4F63PV/ref=pd_lpo_4?pd_rd_i=B07X4F63PV&psc=1. (Year: 2019).*

(Continued)

Primary Examiner — Kendra Leslie Hamilton

Assistant Examiner — Amanda Christensen

(74) *Attorney, Agent, or Firm* — Studehaker & Brackett PC

(57) **CLAIM**

The ornamental design for a wireless charging floor panel, as shown and described.

DESCRIPTION

FIG. 1 is a front, top and right side perspective view of a wireless charging floor panel, showing our new design; FIG. 2 is a rear, bottom and left side perspective view thereof;

FIG. 3 is a front view thereof;

FIG. 4 is a top view thereof;

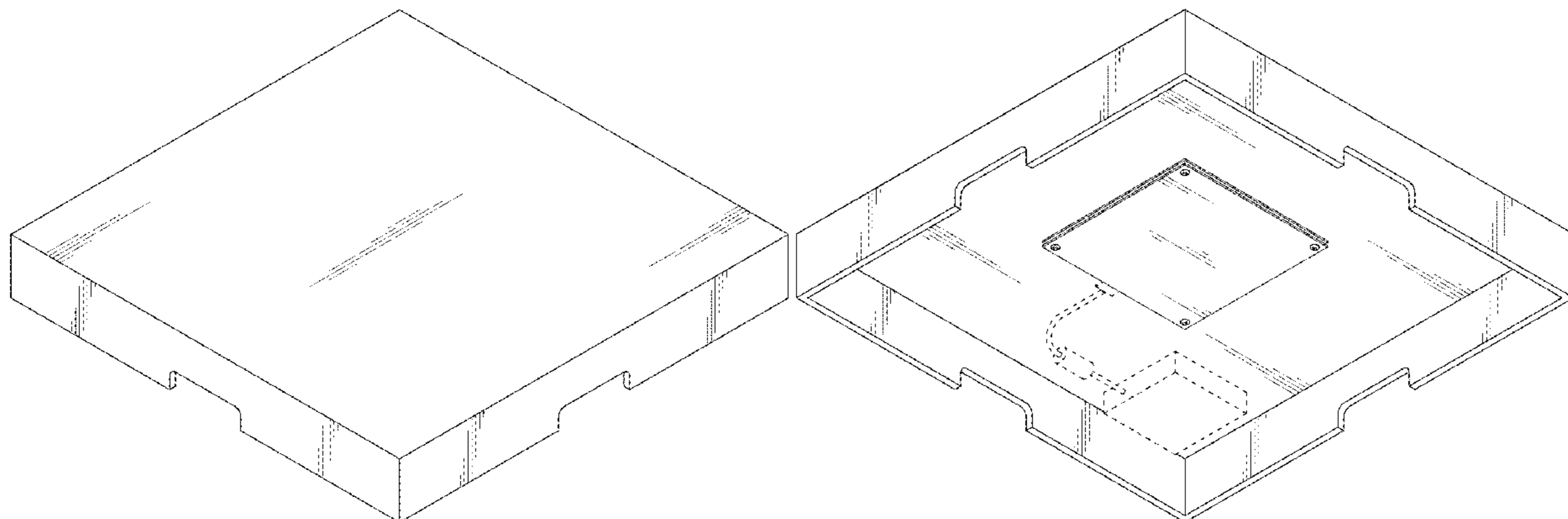
FIG. 5 is a bottom view thereof;

FIG. 6 is a right side view thereof; and,

FIG. 7 is an enlarged sectional view taken along line 7-7 of FIG. 5 thereof.

The parts shown in the broken lines do not form part of the claimed design.

1 Claim, 7 Drawing Sheets



(56)

References Cited

U.S. PATENT DOCUMENTS

D860,937	S	9/2019	Slaatto	
D865,666	S	11/2019	Roberts	
D866,458	S	11/2019	Chen et al.	
D868,934	S *	12/2019	Miskovich	D23/206
D876,356	S *	2/2020	Tanaka	D13/123
D877,063	S *	3/2020	Hung	D13/103
D883,209	S *	5/2020	Liao	D13/110
D886,736	S	6/2020	Worthy	
D893,423	S	8/2020	Nishimura et al.	
D943,520	S *	2/2022	Takahashi	D13/108
2010/0105526	A1 *	4/2010	Hautoplund	A63B 69/0053 482/8
2013/0162202	A1	6/2013	Wang	
2015/0188357	A1	7/2015	Chen et al.	
2015/0333562	A1 *	11/2015	Nam	H01F 27/2871 320/108
2016/0282192	A1	9/2016	Wikstrand	
2017/0187222	A1 *	6/2017	Hosseini	H02J 7/0042

OTHER PUBLICATIONS

“Bosch Wireless EV Charger”. Found online Mar. 22, 2022 at gmauthority.com. Reference dated Jun. 13, 2013. Retrieved from <https://gmauthority.com/blog/2013/06/evatran-brings-wireless-charging-to-the-chevy-volt/>. (Year: 2013).*

“BMW Wireless Charging System”. Found online Apr. 26, 2021 at cleantechnica.com. Reference dated Jan. 21, 2018. Retrieved from <https://cleantechnica.com/2018/01/21/us-finally-getting-bmws-wireless-charging-system/> (Year: 2018).

“Tesla Wireless Charging”. Found online Apr. 26, 2021 at [youtube.com](https://www.youtube.com). Reference dated Aug. 17, 2016. Retrieved from <https://www.youtube.com/watch?v=CZevHlvaE7A>. (Year: 2016).

“Eggtronic Wireless Charging Valet Tray”. Found online May 25, 2021 at [amazon.com](https://www.amazon.com). Reference dated Jun. 14, 2019. Retrieved from <https://www.amazon.com/EGGTRONIC-Wireless-Charging-Valet-Tray/dp/B07SZKNG67> (Year: 2019).

* cited by examiner

Fig.1

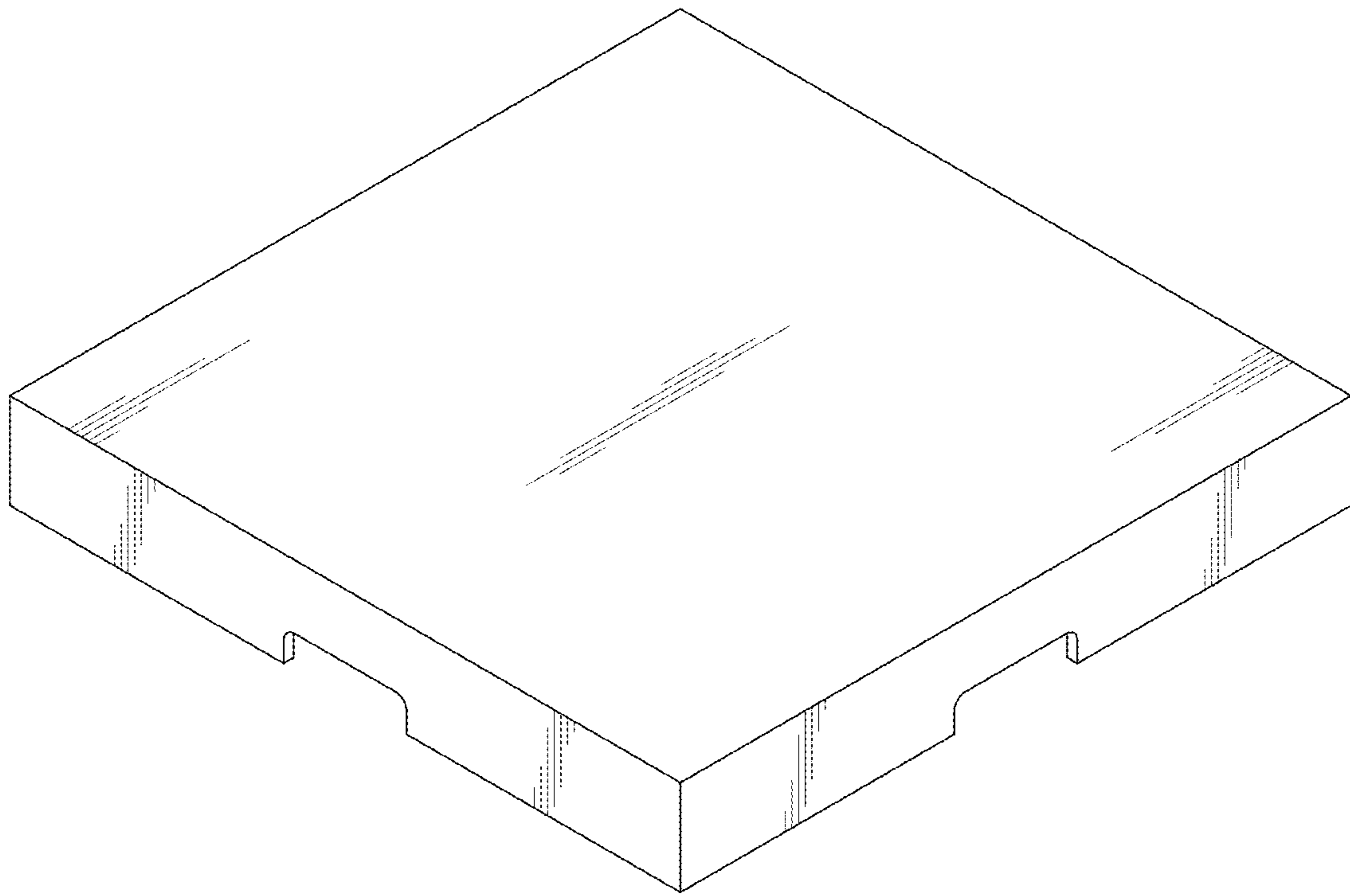


Fig.2

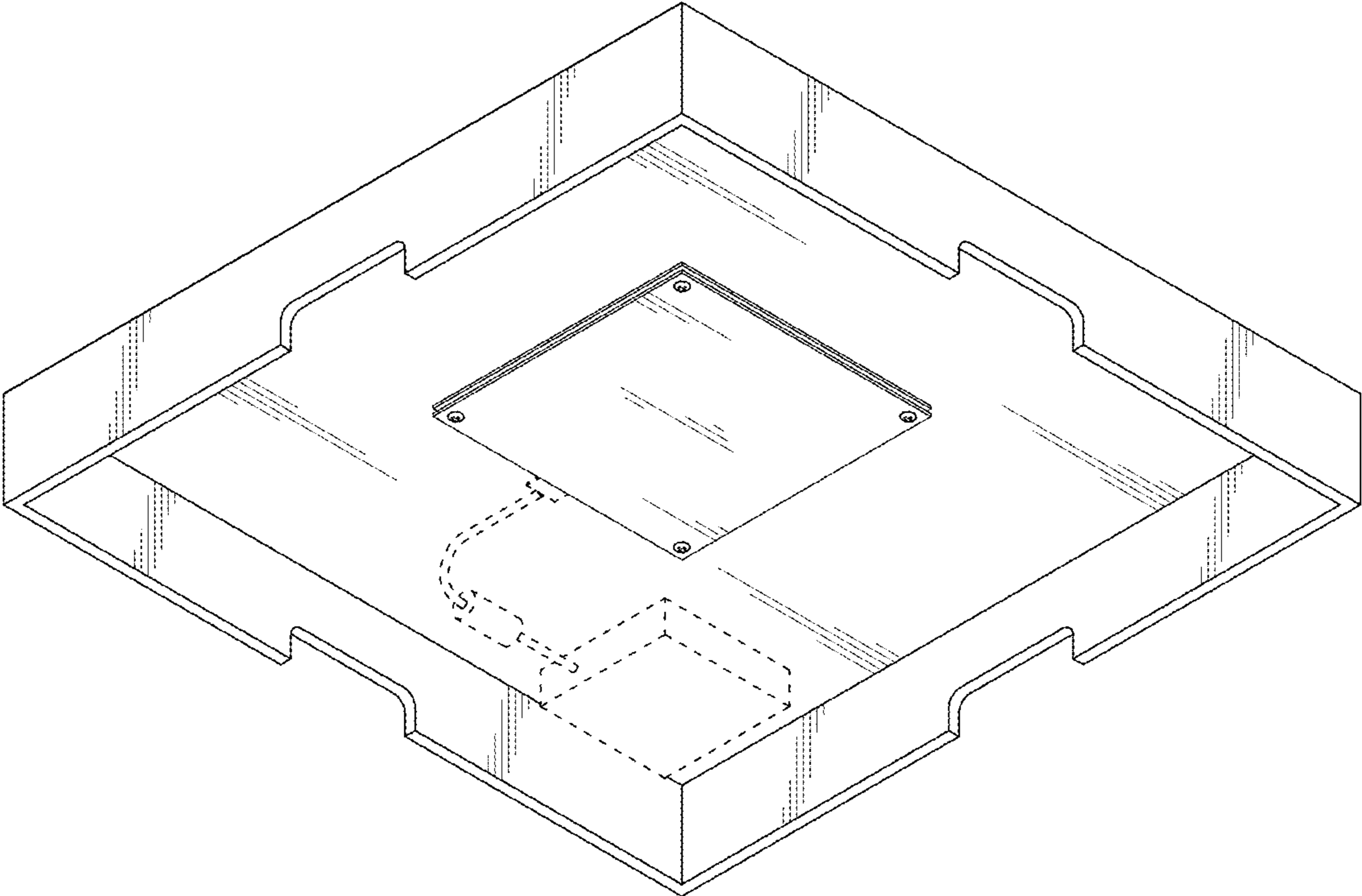


Fig.3

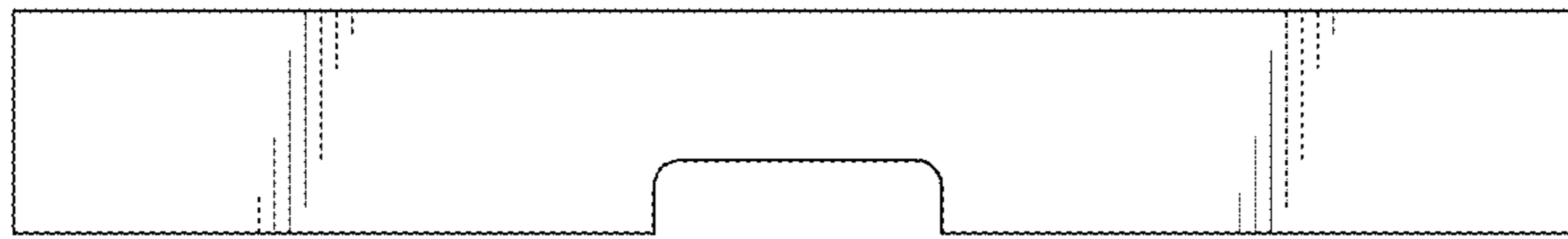


Fig.4

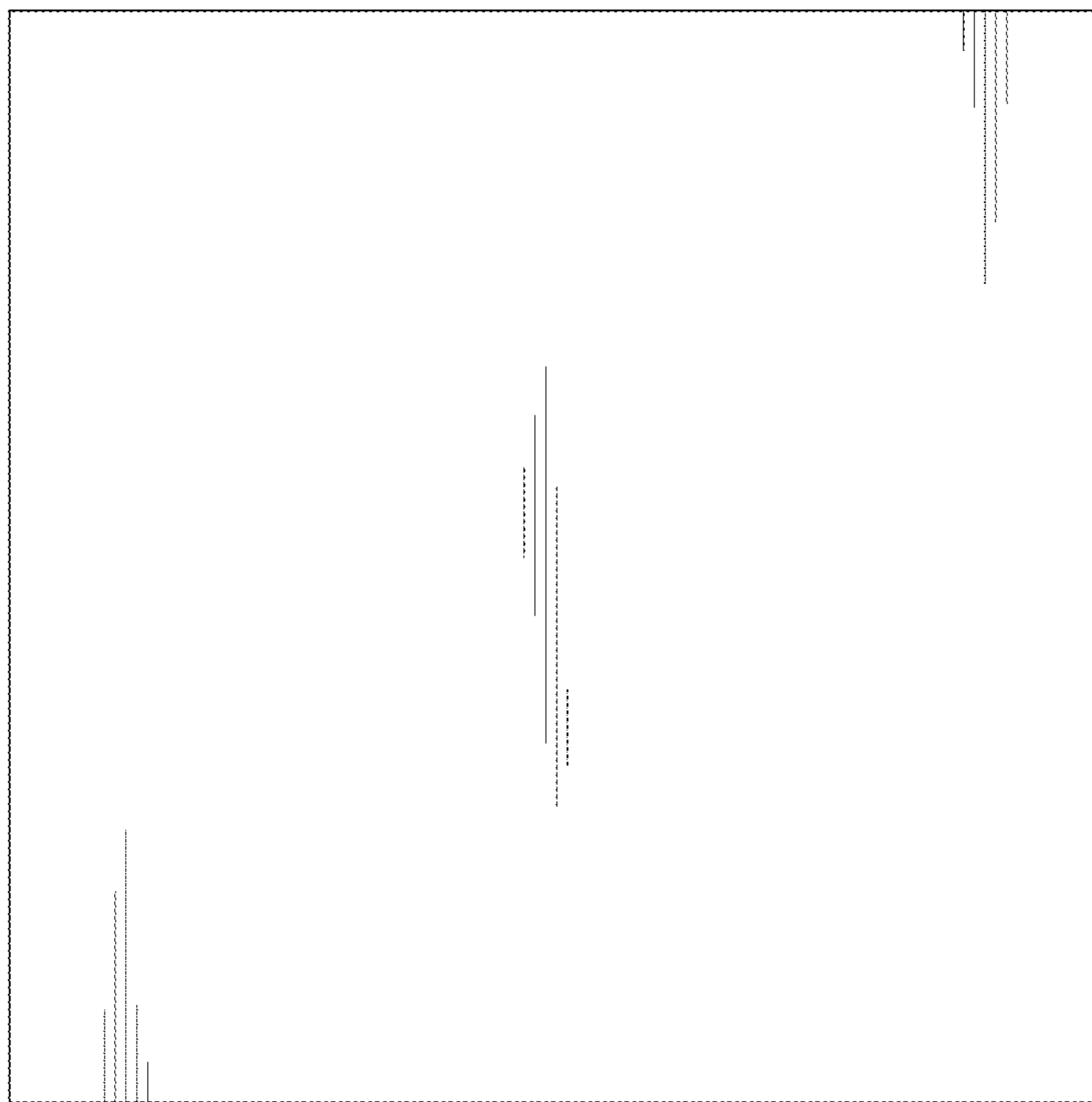


Fig.5

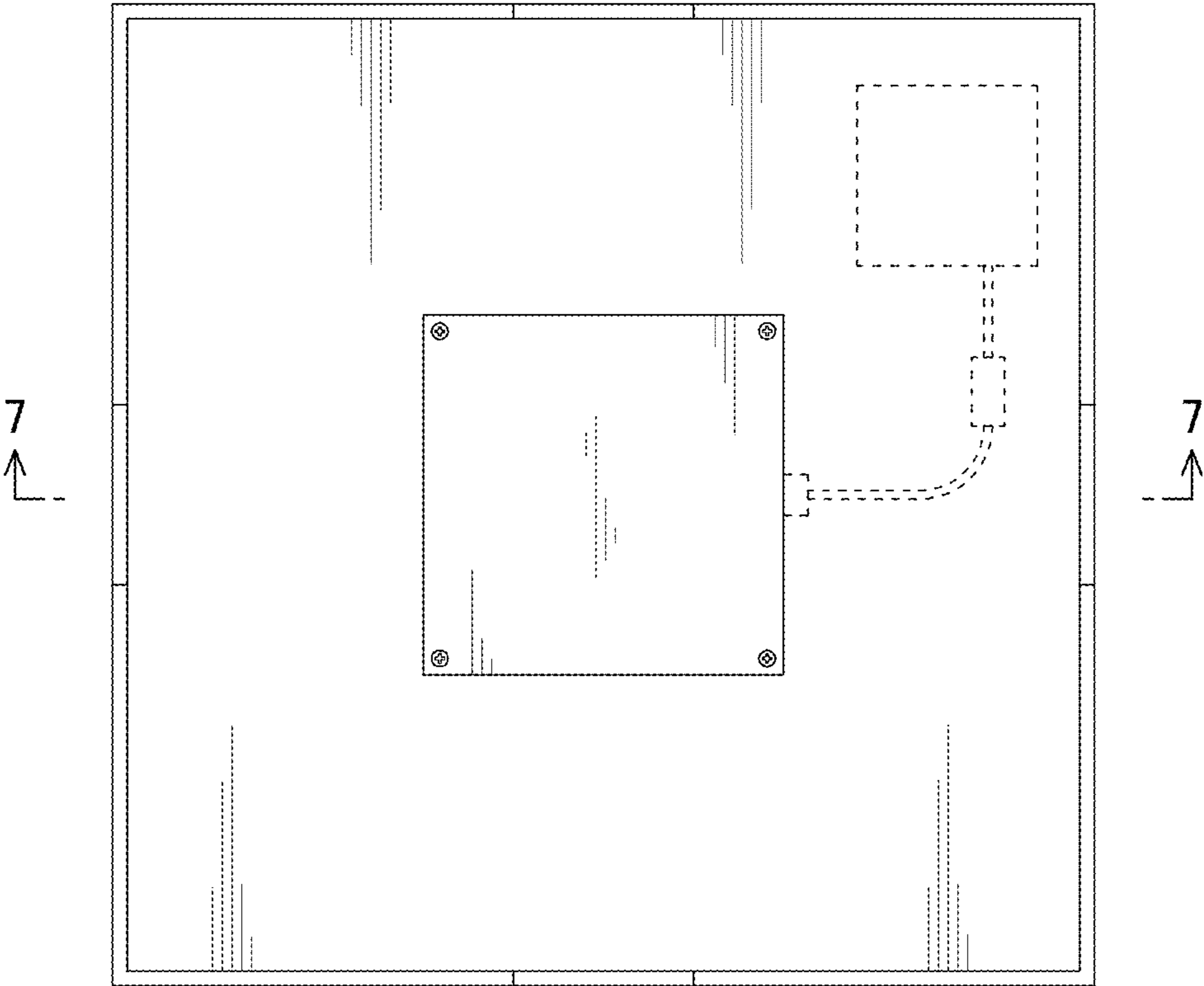


Fig.6

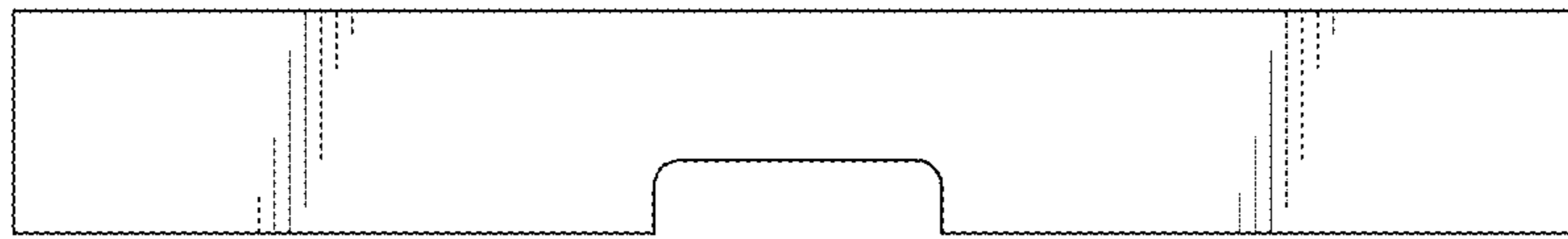


Fig.7

