



US00D962163S

(12) **United States Design Patent**
Takahashi et al.

(10) **Patent No.:** **US D962,163 S**

(45) **Date of Patent:** **** Aug. 30, 2022**

(54) **WIRELESS CHARGING FLOOR PANEL**

(71) Applicant: **Mitsubishi Electric Corporation,**
Tokyo (JP)

(72) Inventors: **Akiko Takahashi,** Tokyo (JP); **Fumie**
Otsubo, Tokyo (JP)

(73) Assignee: **Mitsubishi Electric Corporation,**
Tokyo (JP)

(**) Term: **15 Years**

(21) Appl. No.: **29/799,892**

(22) Filed: **Jul. 16, 2021**

Related U.S. Application Data

(62) Division of application No. 29/718,205, filed on Dec.
20, 2019, now Pat. No. Des. 943,520.

(30) **Foreign Application Priority Data**

Jul. 11, 2019	(JP)	2019-015546
Jul. 11, 2019	(JP)	2019-015547
Jul. 11, 2019	(JP)	2019-015548
Jul. 11, 2019	(JP)	2019-015549
Jul. 11, 2019	(JP)	2019-015550

(51) **LOC (13) Cl.** **13-02**

(52) **U.S. Cl.**
USPC **D13/108**

(58) **Field of Classification Search**
USPC D13/103, 107, 108, 109, 110, 117, 118,
D13/119, 120, 121, 122, 184, 199;
D14/356, 432, 433, 434; D25/138, 152
CPC H02J 50/05; H02J 15/00; H04B 1/3877
See application file for complete search history.

(56) **References Cited**

U.S. PATENT DOCUMENTS

D428,387 S *	7/2000	Malloy	D13/107
D729,163 S *	5/2015	Meyer	D13/107

9,231,430 B2	1/2016	Natsume et al.	
D782,977 S	4/2017	Zhang	
D840,498 S	2/2019	Miskovich	
10,256,657 B2	4/2019	Hosseini et al.	
D852,133 S	6/2019	Rogala	
D860,937 S	9/2019	Slaatto	
D865,666 S	11/2019	Roberts	
D866,458 S	11/2019	Chen et al.	
D868,935 S *	12/2019	Miskovich D23/206

(Continued)

OTHER PUBLICATIONS

“Panasonic Wireless Charger”. Found online Mar. 22, 2022 at
youtube.com. Reference dated Mar. 30, 2017. Retrieved from
<https://www.youtube.com/watch?v=oRrr7xBUOPY>. (Year: 2017).*

“Polmxs Wireless Charger”. Found online Mar. 22, 2022 at amazon.
com. Reference dated Aug. 31, 2018. Retrieved from <https://www.amazon.com.au/Wireless-Charger-Charging-Station-C3/dp/B07GZZX37F>. (Year: 2018).*

(Continued)

Primary Examiner — Kendra Leslie Hamilton

Assistant Examiner — Amanda Christensen

(74) *Attorney, Agent, or Firm* — Studebaker & Brackett
PC

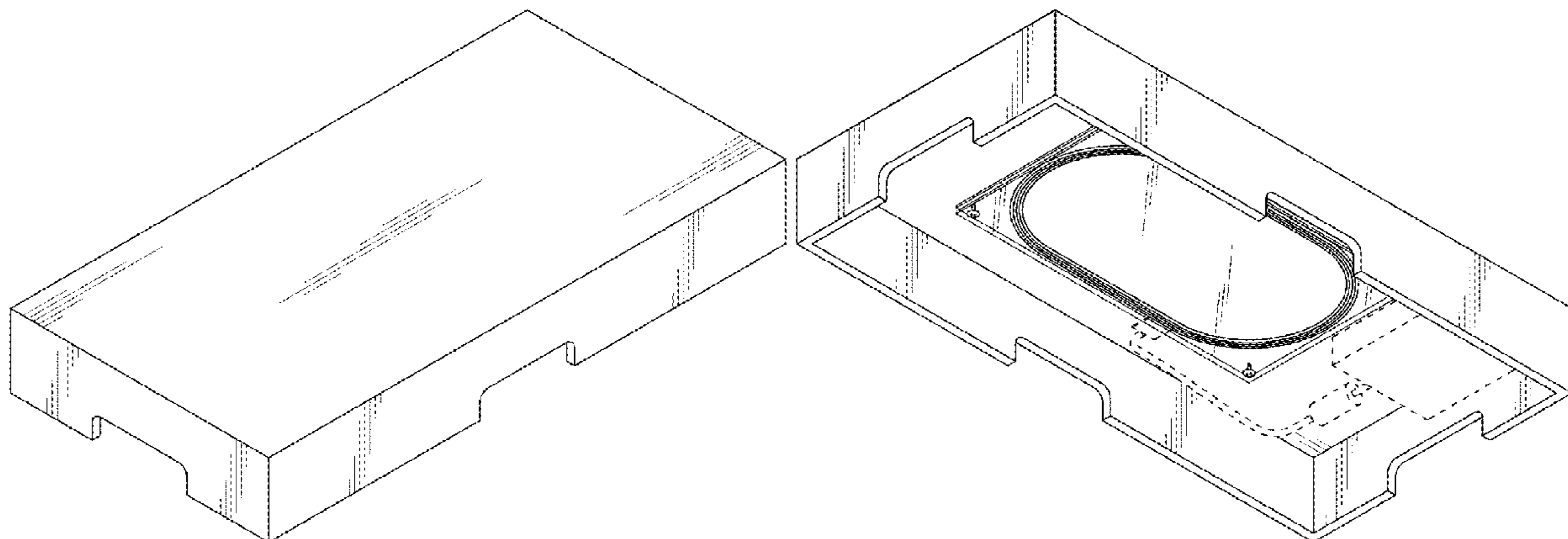
(57) **CLAIM**

The ornamental design for a wireless charging floor panel, as
shown and described.

DESCRIPTION

FIG. 1 is a front, top and right side perspective view of a
wireless charging floor panel, showing our new design;
FIG. 2 is a rear, bottom and left side perspective view
thereof;
FIG. 3 is a front view thereof;
FIG. 4 is a top view thereof;
FIG. 5 is a bottom view thereof;
FIG. 6 is a right side view thereof; and,
FIG. 7 is an enlarged sectional view taken along line 7-7 of
FIG. 5 thereof.
The parts shown in the broken lines do not form part of the
claimed design.

1 Claim, 7 Drawing Sheets



(56)

References Cited

U.S. PATENT DOCUMENTS

D876,356 S * 2/2020 Tanaka D13/123
 D883,209 S * 5/2020 Liao D13/110
 D886,736 S 6/2020 Worthy
 10,716,230 B2 * 7/2020 Matsuda H05K 5/062
 D893,423 S 8/2020 Nishimura et al.
 D916,695 S * 4/2021 Lee D13/108
 D921,202 S * 6/2021 Al-Ali D24/165
 D922,947 S * 6/2021 Wang D13/108
 D937,764 S * 12/2021 Akana D13/107
 D943,520 S * 2/2022 Takahashi D13/108
 2013/0162202 A1 6/2013 Wang
 2015/0188357 A1 7/2015 Chen et al.
 2015/0333562 A1 * 11/2015 Nam H01F 27/2871
 320/108
 2016/0282192 A1 9/2016 Wikstrand
 2017/0187222 A1 * 6/2017 Hosseini H02J 7/0042

OTHER PUBLICATIONS

“LFOTPP Console Organizer”. Found online Mar. 22, 2022 at amazon.com. Reference dated Mar. 29, 2019. Retrieved from https://www.amazon.com/LFOTPP-Organizer-Accessories-Sunglasses-Secondary/dp/B07Q4C8CNS/ref=pd_day0fvt_1/133-1437029-9147658. (Year: 2019).*

“BMW Wireless Charging System”. Found online Apr. 26, 2021 at cleantechnica.com. Reference dated Jan. 21, 2018. Retrieved from <https://cleantechnica.com/2018/01/21/us-finally-getting-bmws-wireless-charging-system/> (Year: 2018).

“Tesla Wireless Charging”. Found online Apr. 26, 2021 at youtube.com. Reference dated Aug. 17, 2016. Retrieved from <https://www.youtube.com/watch?v=CZevHlvaE7A>. (Year: 2016).

“Eggtronic Wireless Charging Valet Tray”. Found online May 25, 2021 at amazon.com. Reference dated Jun. 14, 2019. Retrieved from <https://www.amazon.com/EGGTRONIC-Wireless-Charging-Valet-Tray/dp/B07SZKNG67> (Year: 2019).

* cited by examiner

Fig. 1

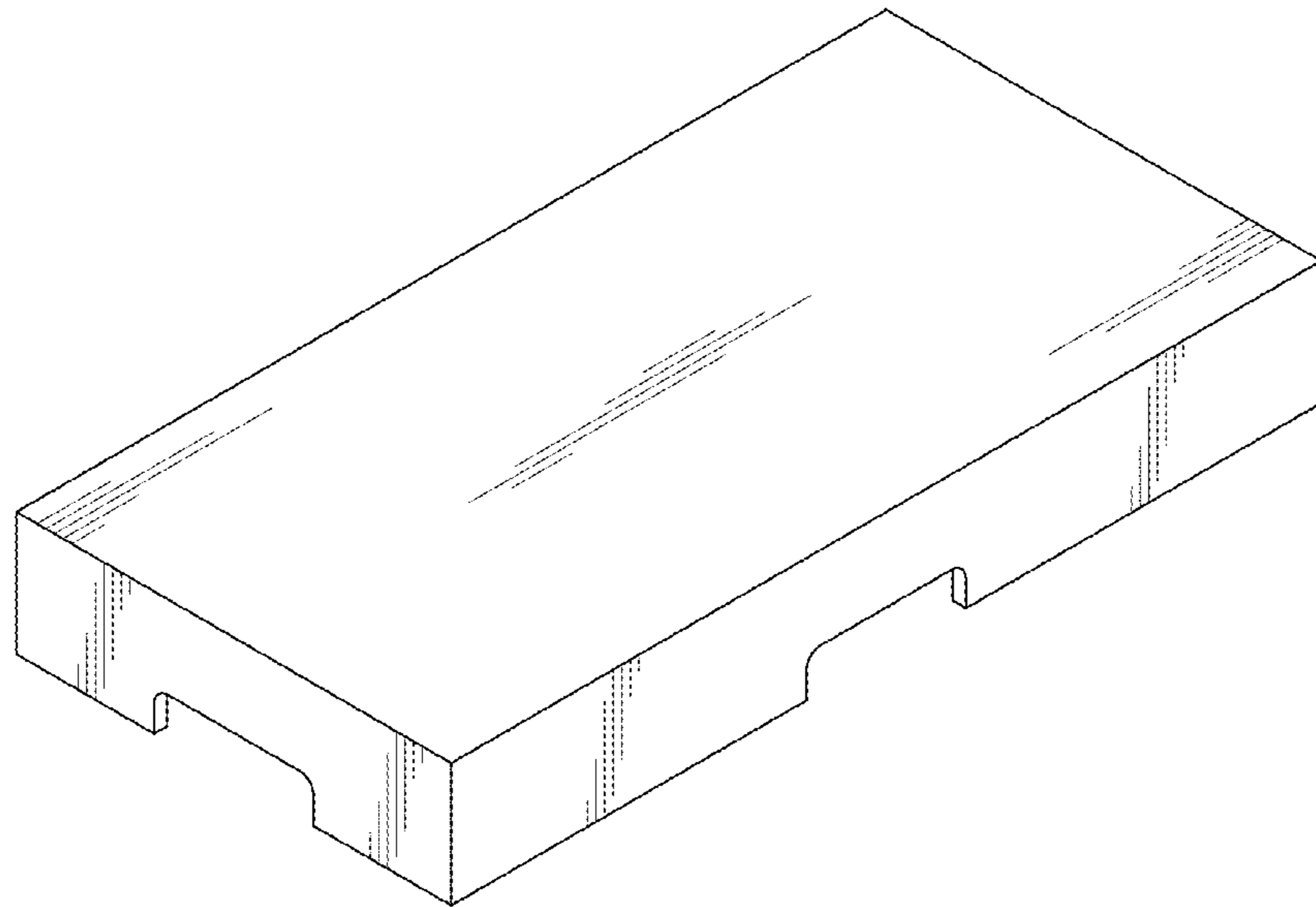


Fig. 2

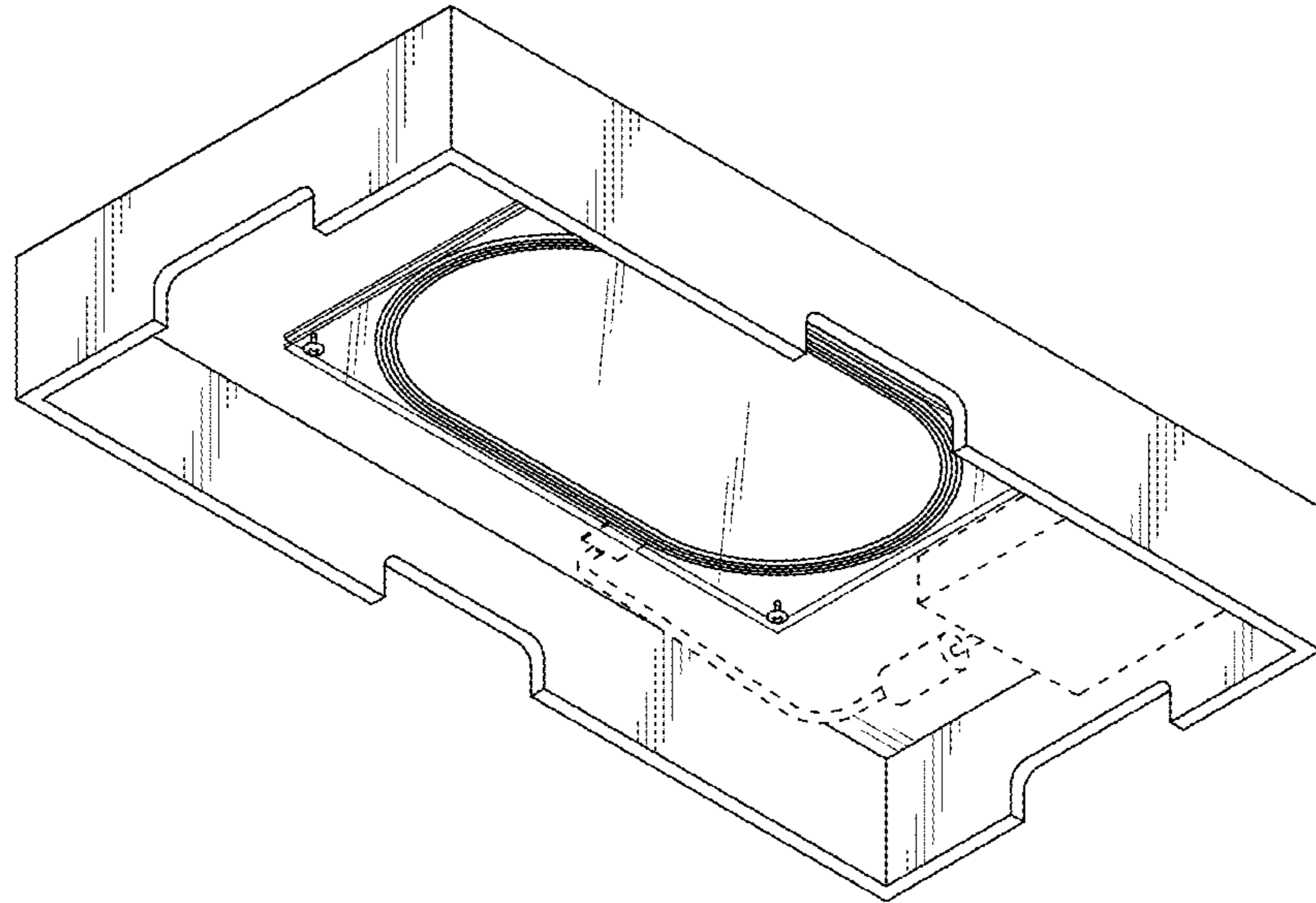


Fig. 3

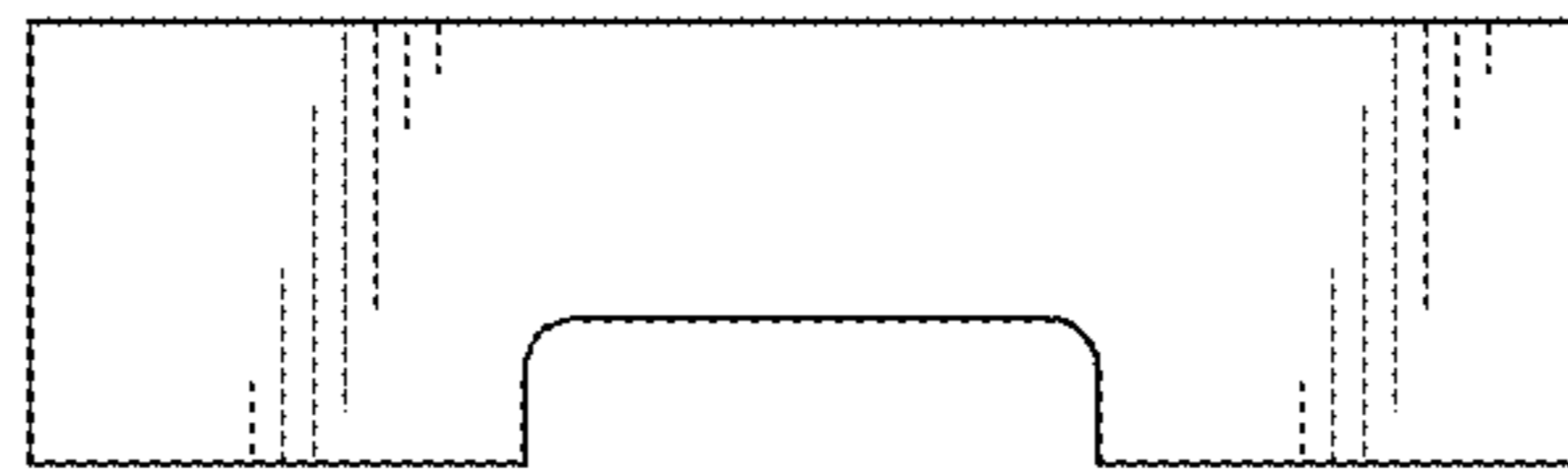


Fig. 4

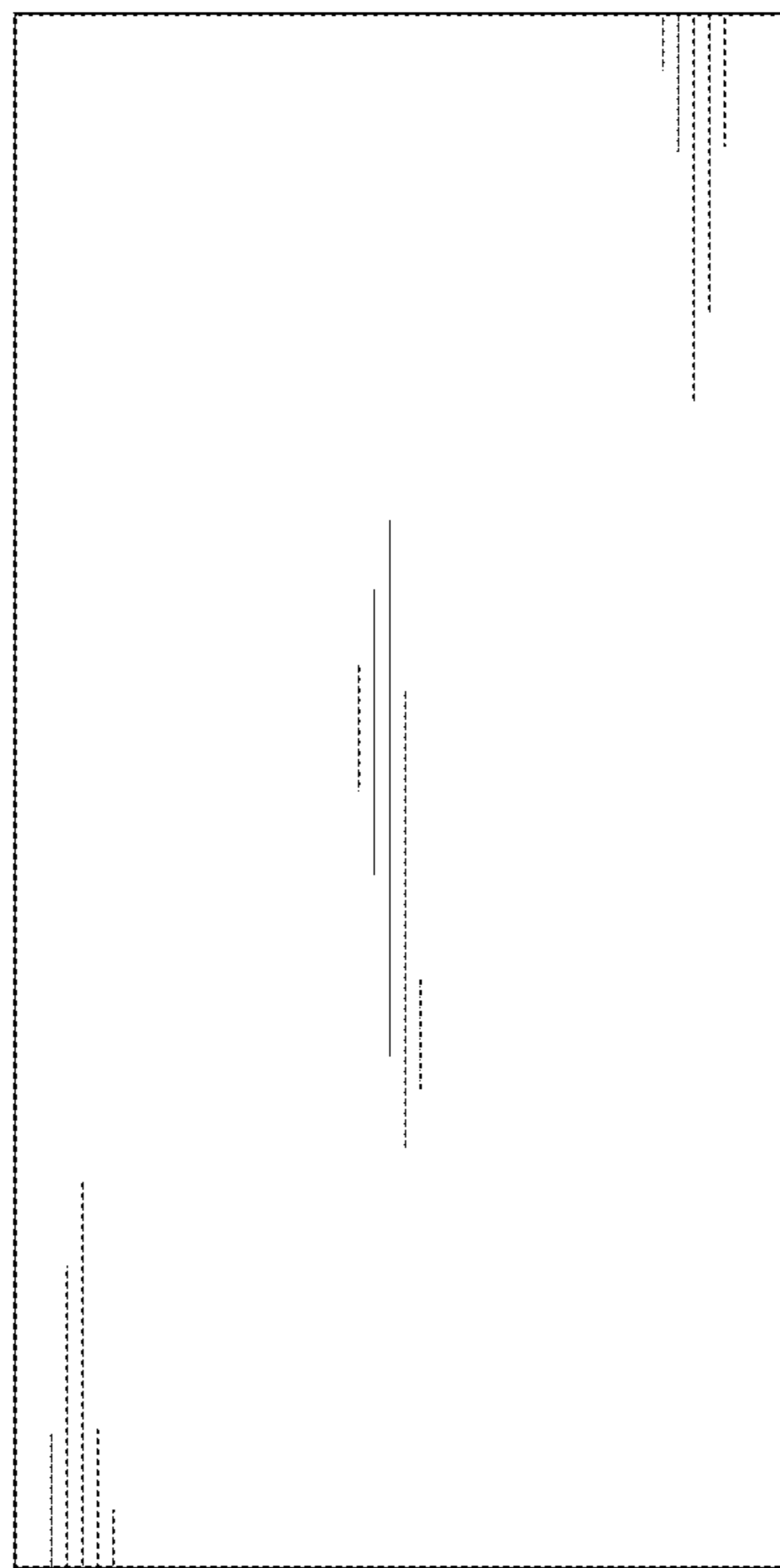


Fig. 5

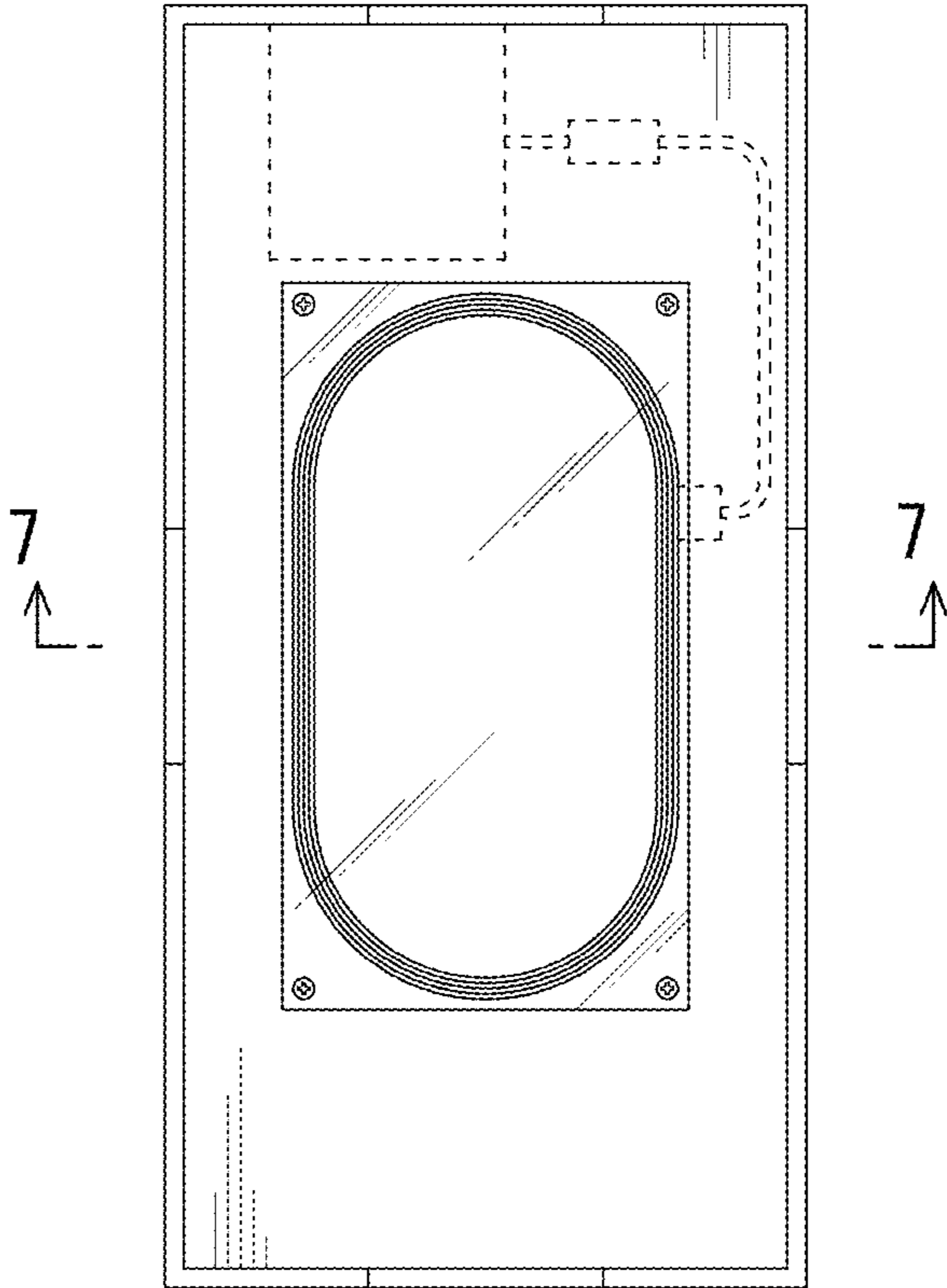


Fig. 6

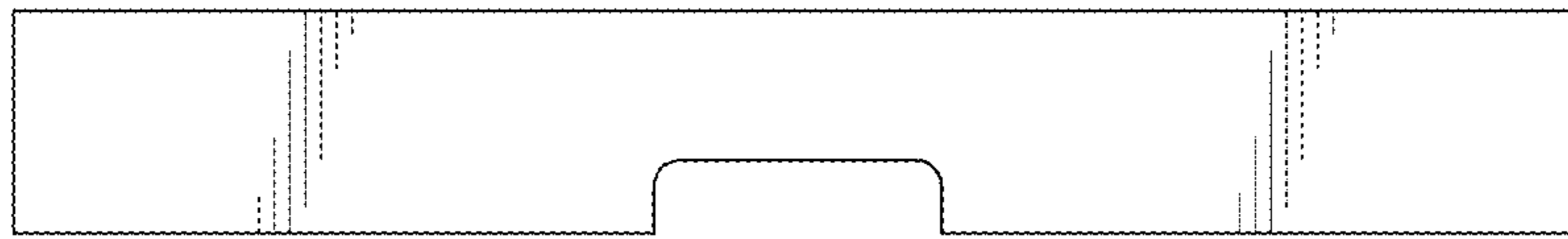


Fig. 7

