

US00D962161S

(12) **United States Design Patent** (10) **Patent No.:** **US D962,161 S**  
**Chen** (45) **Date of Patent:** **\*\* Aug. 30, 2022**

(54) **CHARGER WITH CAMERA**

(71) Applicant: **Li Chen**, Guangdong (CN)

(72) Inventor: **Li Chen**, Guangdong (CN)

(\*\*) Term: **15 Years**

(21) Appl. No.: **29/774,362**

(22) Filed: **Mar. 16, 2021**

(51) **LOC (13) Cl.** ..... **13-02**

(52) **U.S. Cl.**  
USPC ..... **D13/107**

(58) **Field of Classification Search**  
USPC ..... D13/103, 107–110, 118–121, 184, 199,  
D13/137.1–137.4; D14/251, 253, 432,  
D14/434, 447  
CPC ..... H02J 7/025; H02J 7/0026; H02J 7/0042;  
H02J 7/0044; H02J 7/0045; H02J 7/0047;  
H02J 7/0013; H02J 7/0003; H01M 10/44;  
H01M 10/441

See application file for complete search history.

Philips AC USB Charger. Before May 29, 2020. Home Depot. [https://www.homedepot.com/p/Philips-1-0-Amp-1-Port-AC-USB-Charger-White-DLP2409-37/305093819?MERCH=REC-\\_-pip\\_alternatives-\\_-313303825-\\_-305093819-\\_-N.\\*](https://www.homedepot.com/p/Philips-1-0-Amp-1-Port-AC-USB-Charger-White-DLP2409-37/305093819?MERCH=REC-_-pip_alternatives-_-313303825-_-305093819-_-N.*)  
Amazon USB Charging Block. Dec. 27, 2018. Amazon. [https://www.amazon.com/Charger-Ailkin-Charging-Compatible-Samsung/dp/B07MR23R57?th=1.\\*](https://www.amazon.com/Charger-Ailkin-Charging-Compatible-Samsung/dp/B07MR23R57?th=1.*)  
Cygnett Flow Dual USB Wall Charger. Before Apr. 6, 2021. Target. [https://www.target.com.au/p/cygnett-flow-2-4-dual-usb-wall-charger/62027656.\\*](https://www.target.com.au/p/cygnett-flow-2-4-dual-usb-wall-charger/62027656.*)

\* cited by examiner

*Primary Examiner* — Manpreet S Matharu  
*Assistant Examiner* — Suzanne E Tisdell  
(74) *Attorney, Agent, or Firm* — ScienBiziP, P.C.

(57) **CLAIM**

The ornamental design for charger with camera, as shown and described.

(56) **References Cited**

U.S. PATENT DOCUMENTS

D885,336 S *	5/2020	Deng	.....	D13/108
D892,736 S *	8/2020	Jin	.....	D13/108
D892,737 S *	8/2020	Yuan	.....	D13/110
D900,738 S *	11/2020	Liu	.....	D13/108
D901,383 S *	11/2020	Pang	.....	D13/110
D909,969 S *	2/2021	Yoon	.....	D13/110
D931,815 S *	9/2021	Hong	.....	D13/108
D937,208 S *	11/2021	Liu	.....	D13/108
D938,352 S *	12/2021	Zhang	.....	D13/108
D938,909 S *	12/2021	Yuan	.....	D13/108
D939,435 S *	12/2021	Feng	.....	D13/107
D939,440 S *	12/2021	Guo	.....	D13/108
D943,517 S *	2/2022	Deng	.....	D13/107

OTHER PUBLICATIONS

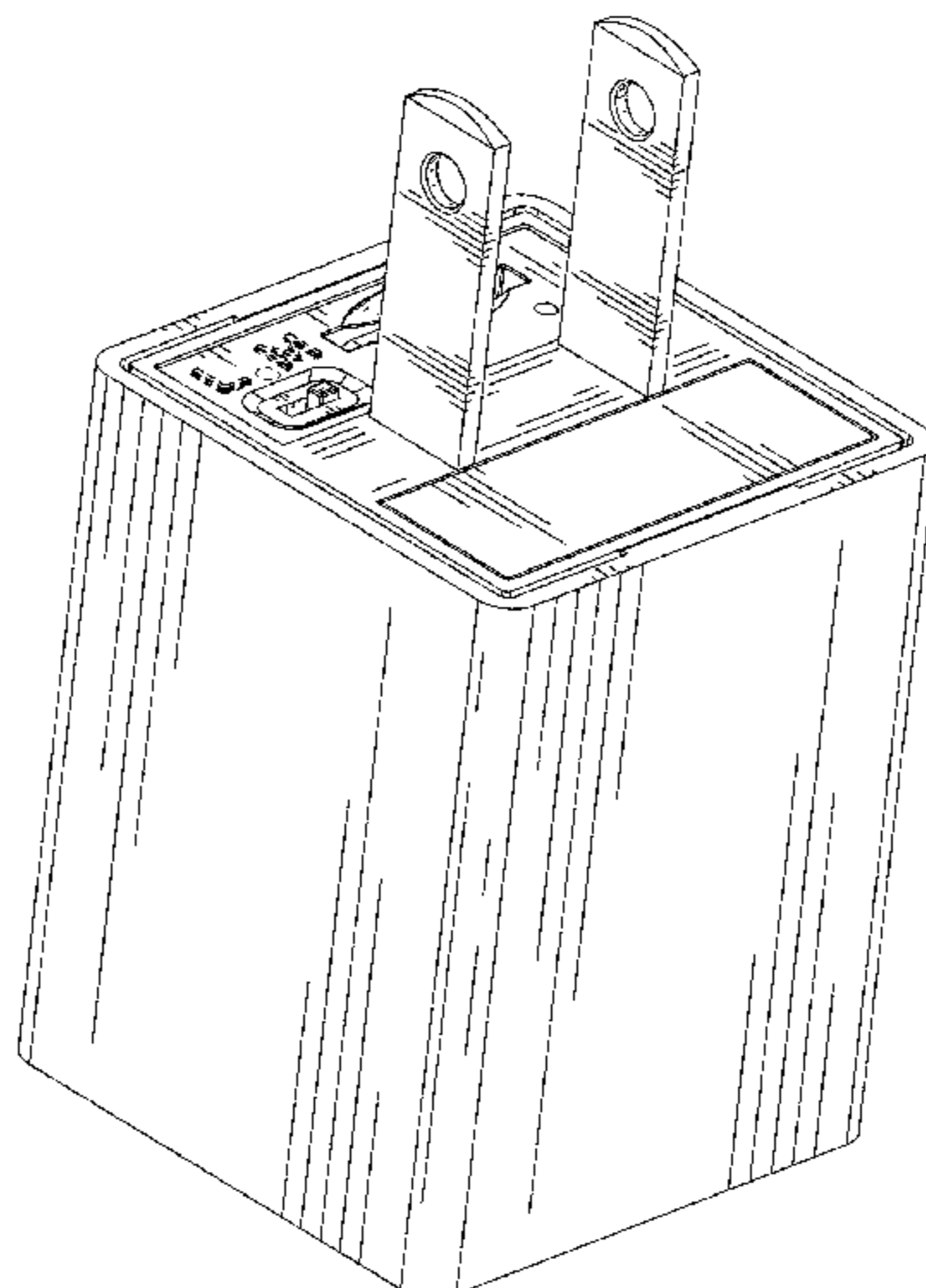
Wall Charger. (Design—© Questel) orbit.com. [Online PDF compilation of references] 65 pgs. Print Dates Range Jan. 4, 2022–Nov. 2, 2021 [Retrieved Apr. 6, 2022].\*

**DESCRIPTION**

FIG. 1 is a front, right, and top perspective view of a charger with camera, showing my design.  
FIG. 2 is a rear, left, and bottom perspective view thereof.  
FIG. 3 is a front elevation view thereof.  
FIG. 4 is a rear elevation view thereof.  
FIG. 5 is a left side elevation view thereof.  
FIG. 6 is a right side elevation view thereof.  
FIG. 7 is a top plan view thereof.  
FIG. 8 is a bottom plan view thereof; and,  
FIG. 9 is a partial enlarged view of an area labeled 9 in FIG. 2 comprising an USB interface.

The broken lines shown in the drawings are included for the purpose of illustrating portions of the charger with camera that form no part of the claimed design.

**1 Claim, 9 Drawing Sheets**



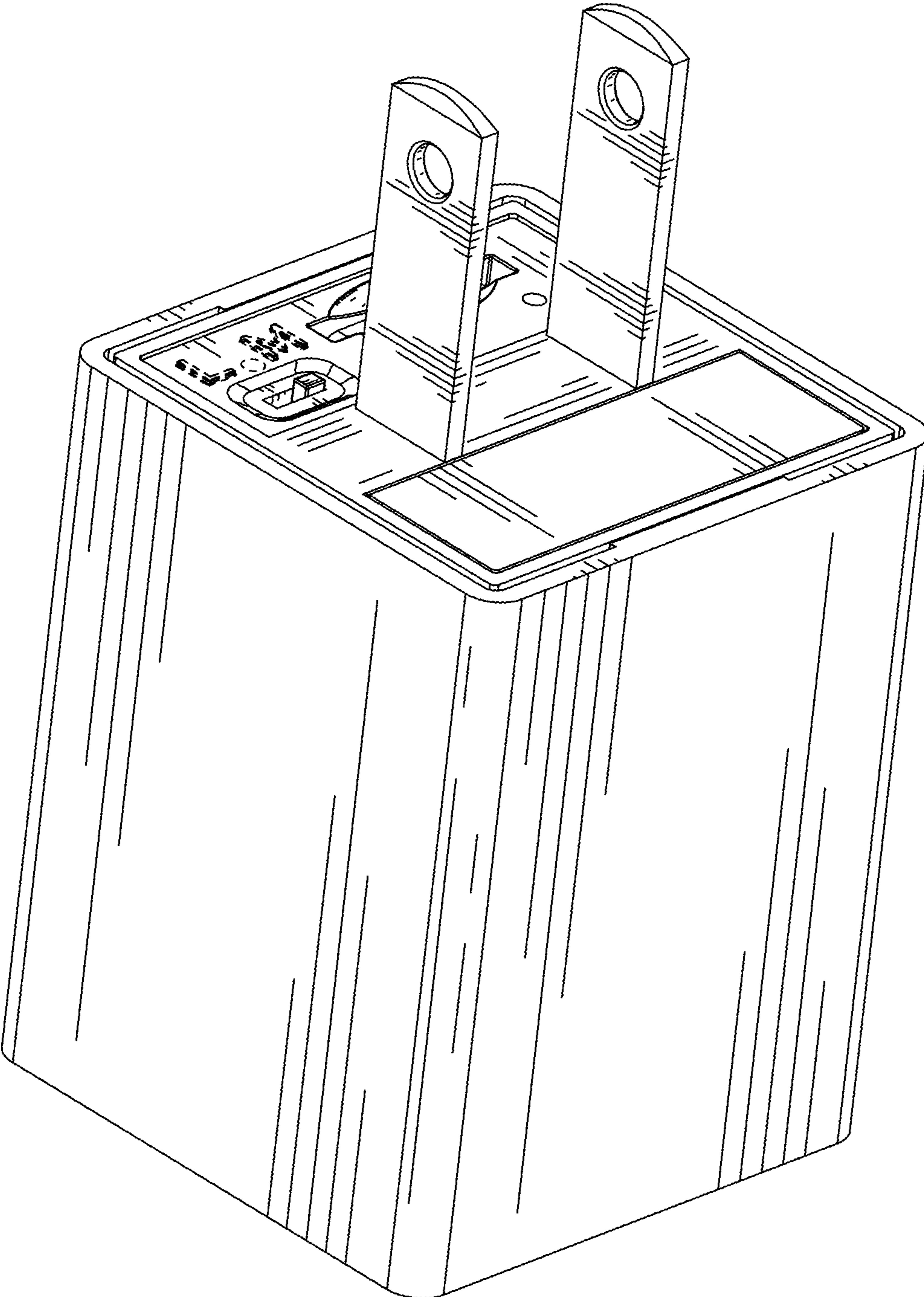


FIG. 1

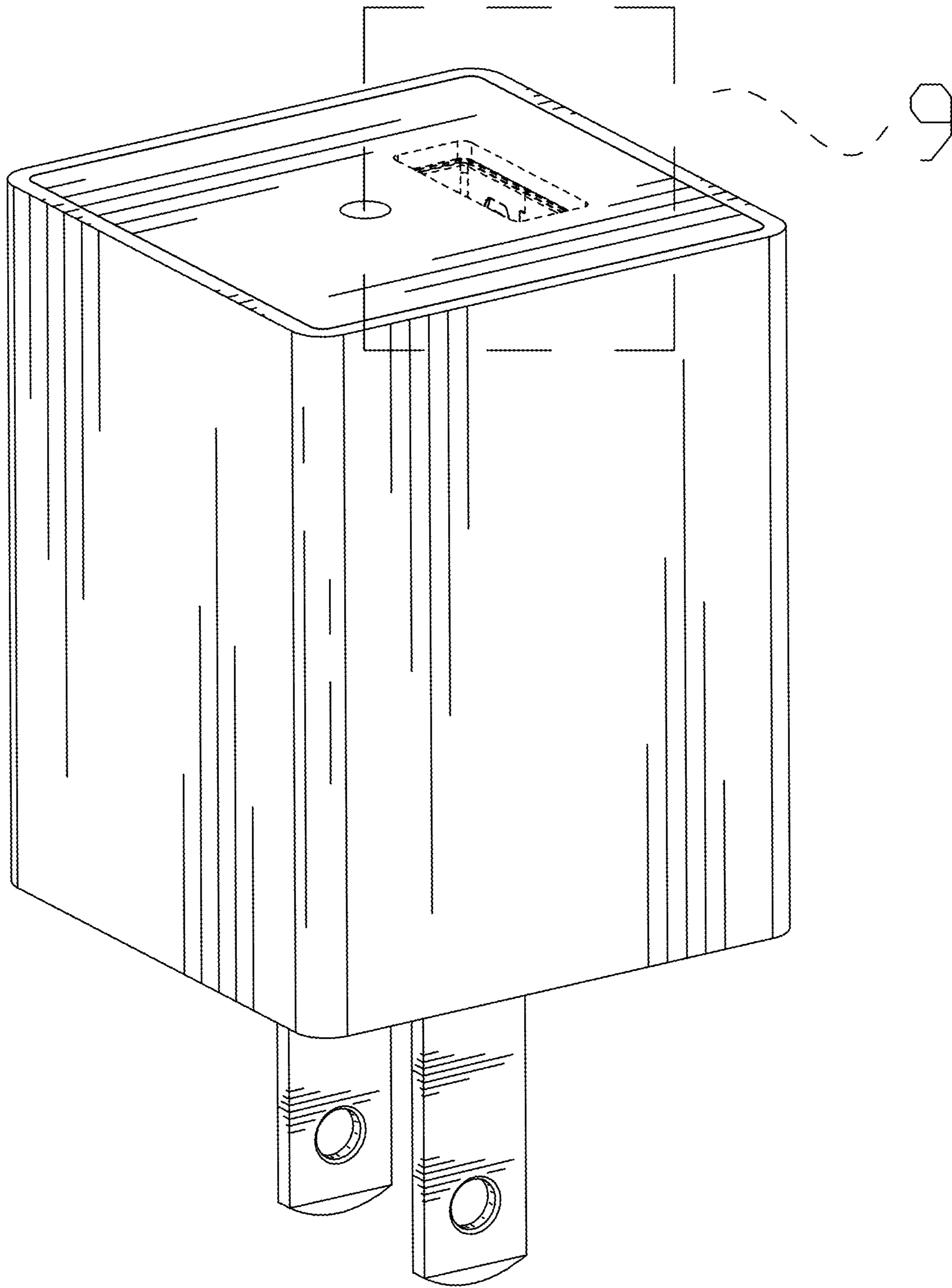


FIG. 2

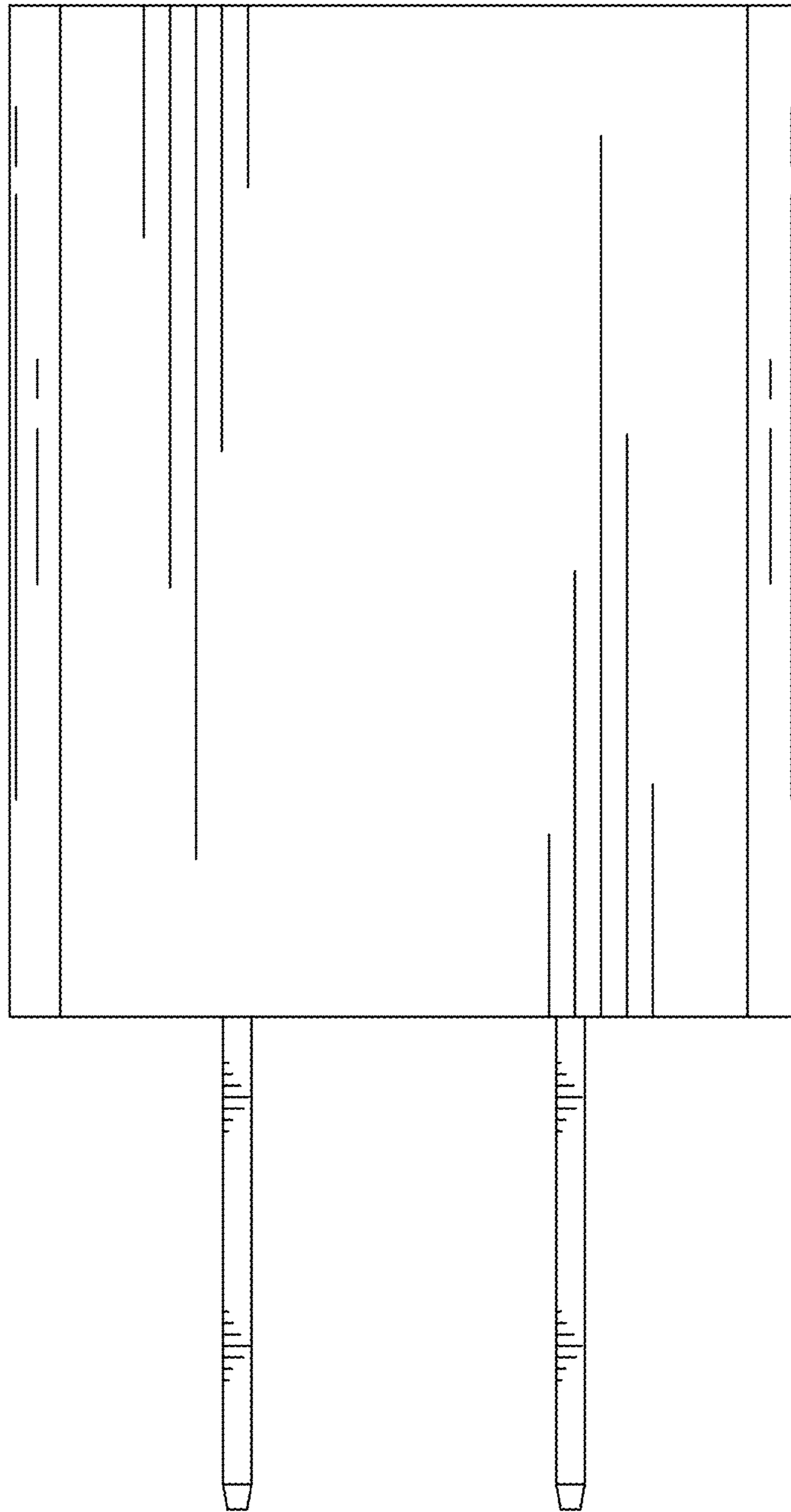


FIG. 3

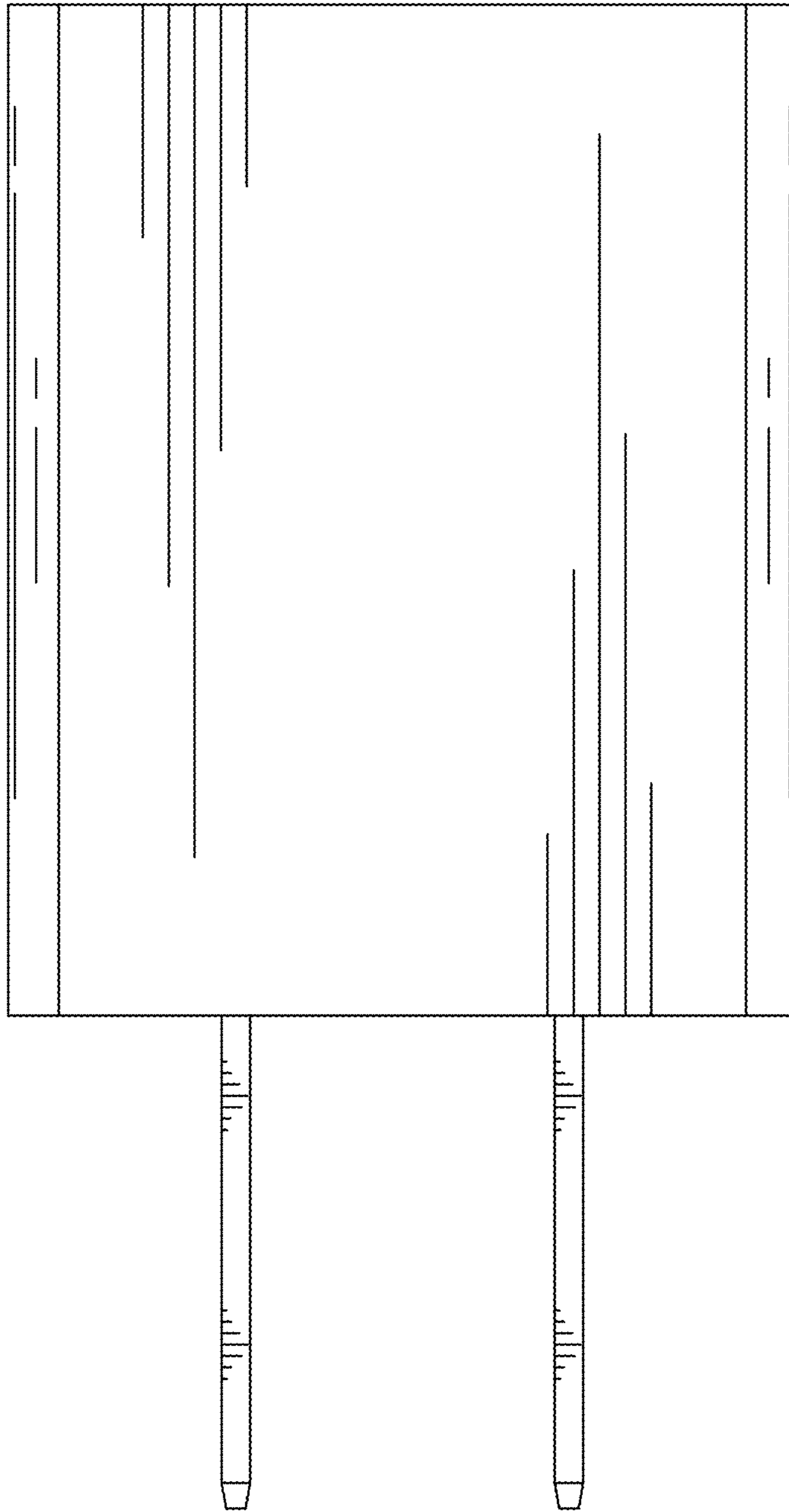


FIG. 4

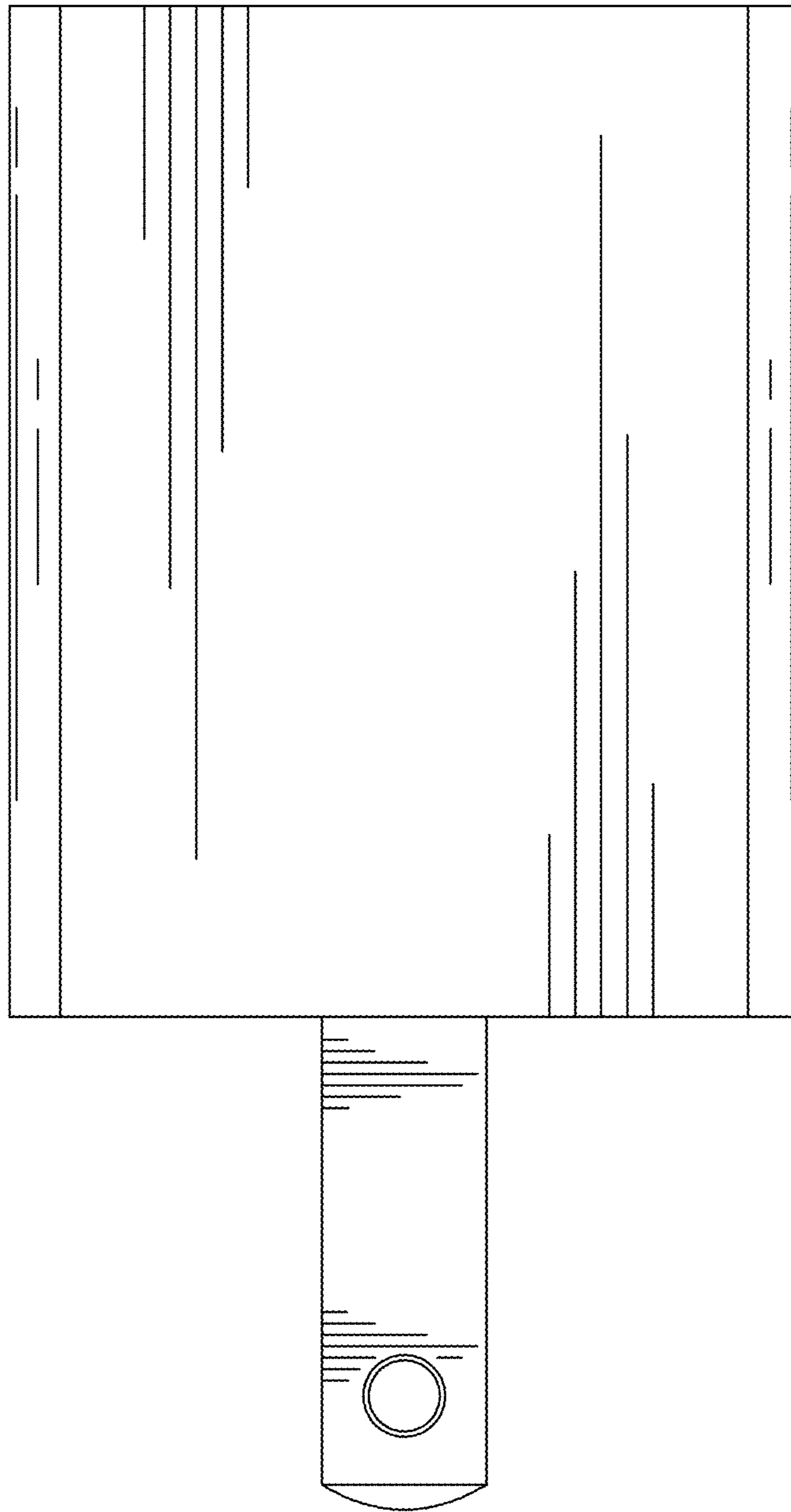


FIG. 5

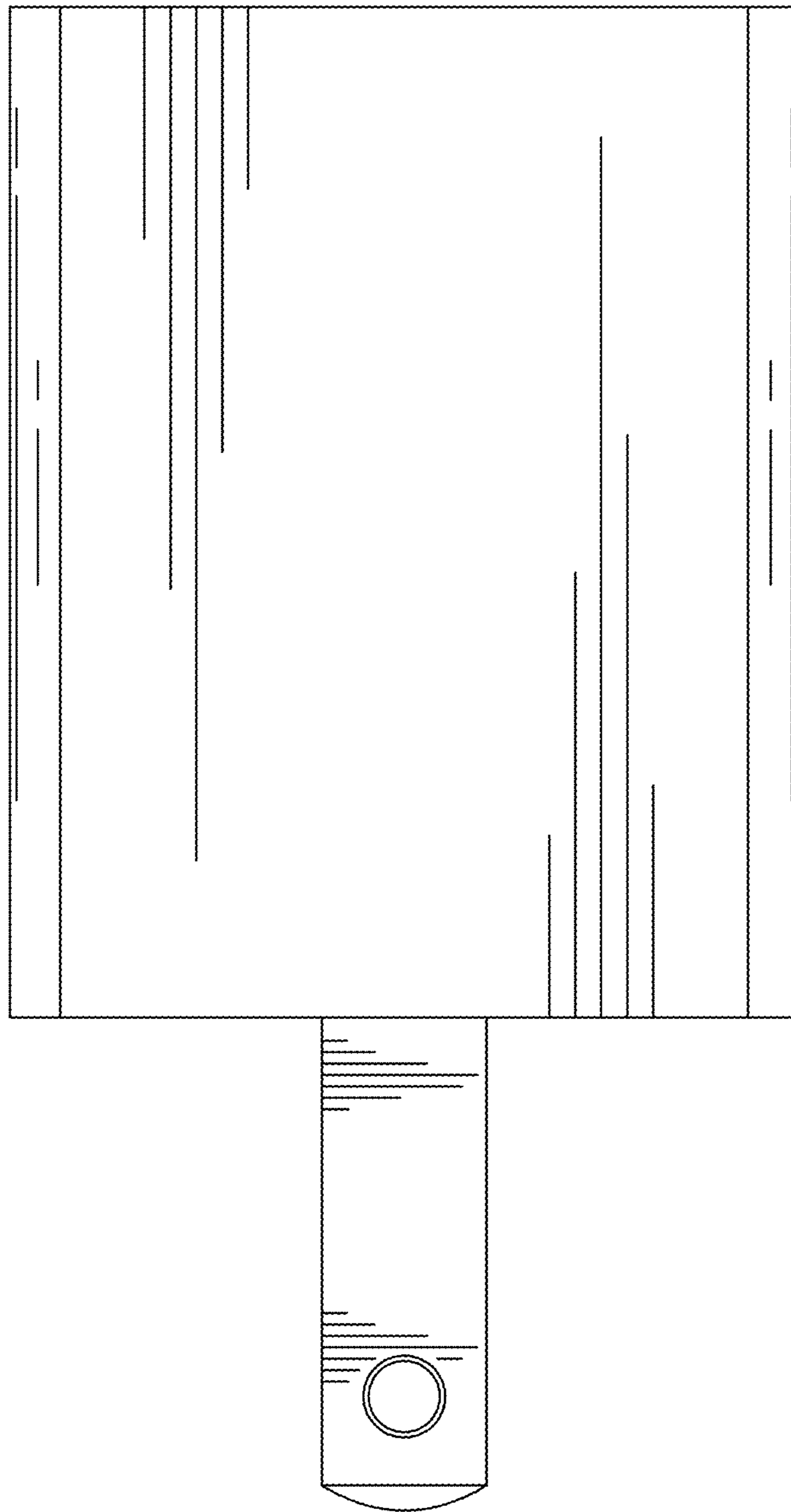


FIG. 6

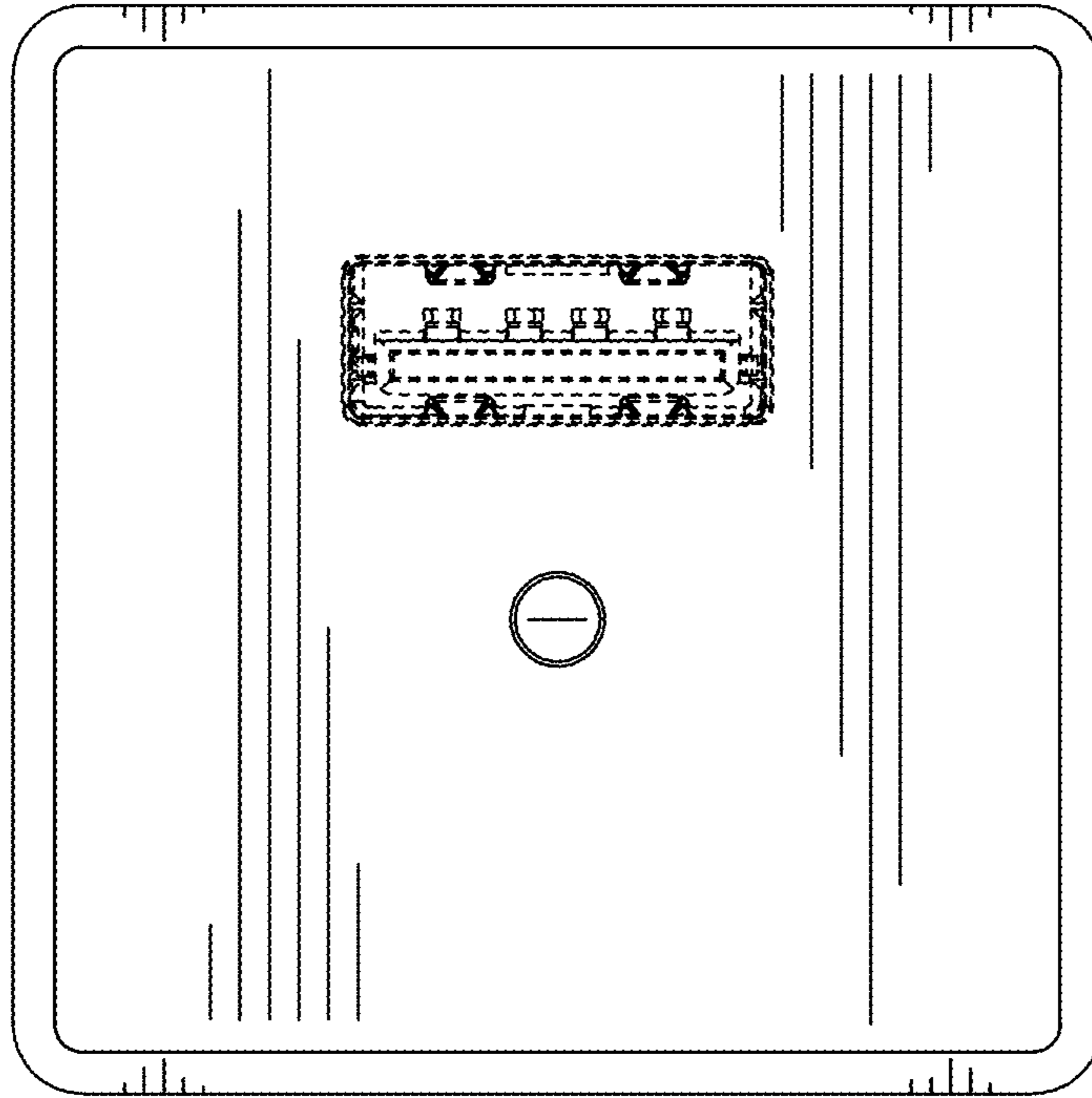


FIG. 7



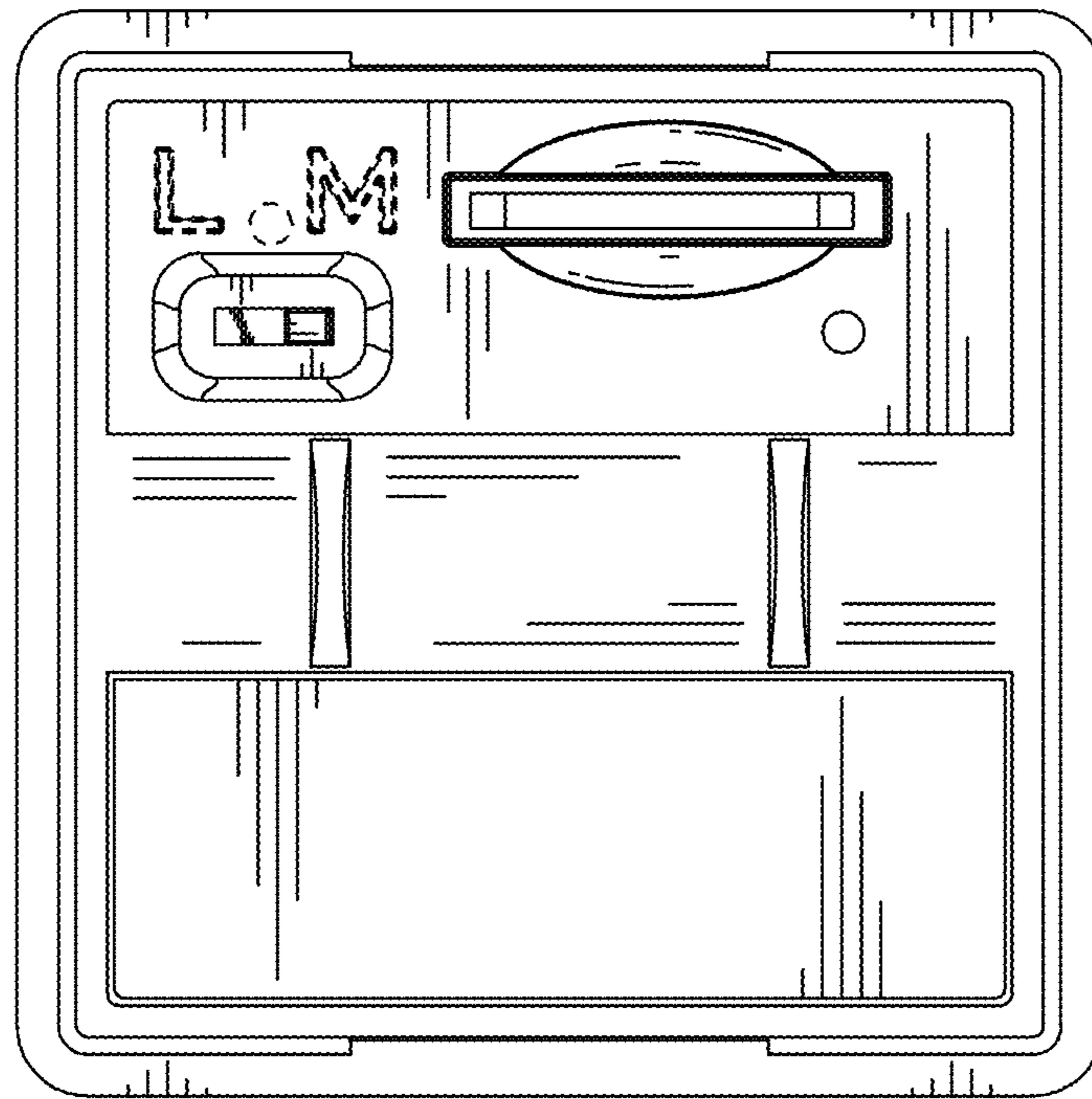


FIG. 8

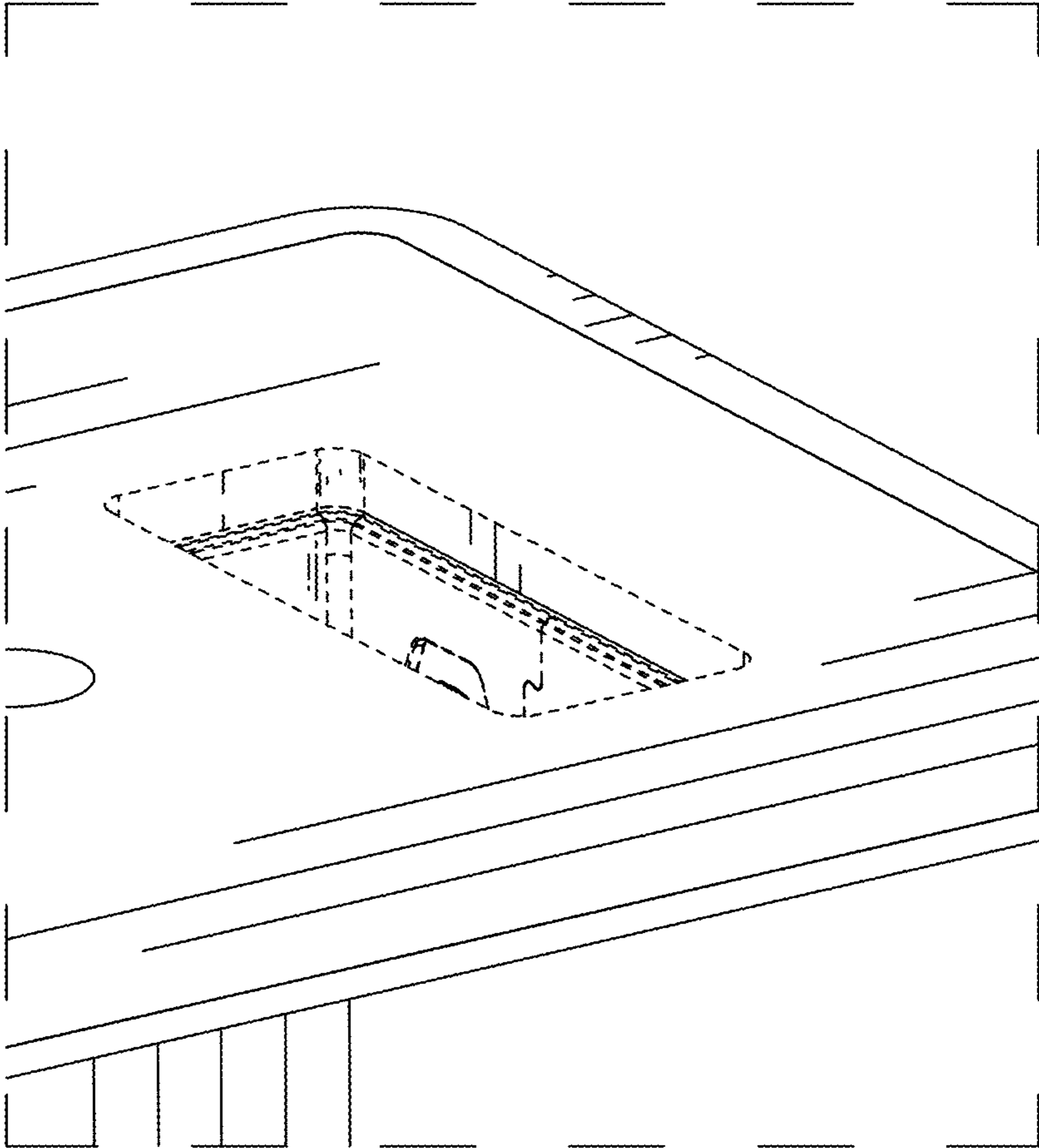


FIG. 9