



US00D962160S

(12) **United States Design Patent**  
**Laurent et al.**

(10) **Patent No.:** **US D962,160 S**

(45) **Date of Patent:** **\*\* Aug. 30, 2022**

(54) **BATTERY CHARGER FOR A THERMAL IMAGER**

(71) Applicant: **E.D. Bullard Company**, Cynthiana, KY (US)

(72) Inventors: **Alain Laurent**, Vaud (CH); **Jonathan Price**, Grolley (CH); **David Amos Ward**, Lexington, KY (US); **David Wilmoth**, Grand Haven, MI (US)

(73) Assignee: **E.D. Bullard Company**, Cynthiana, KY (US)

(\*\*) Term: **15 Years**

(21) Appl. No.: **29/762,640**

(22) Filed: **Dec. 17, 2020**

(51) **LOC (13) Cl.** ..... **13-02**

(52) **U.S. Cl.**  
USPC ..... **D13/107**

(58) **Field of Classification Search**  
USPC ..... D13/107–110, 118, 119, 184, 199;  
D14/251, 253, 432, 434, 447  
CPC ..... Y02E 60/12; H02J 7/025; H02J 7/0042;  
H02J 7/0044; H02J 7/0045; H02J 7/0003;  
H02J 7/0027; H02J 7/0013; H02J 7/0054;  
H02J 7/00; H02J 2001/008; H02J 3/32;  
H02J 3/008; H01F 38/14; H01R 13/6675;  
H01M 2/1022; H01M 2/1055; H01M  
10/44; H01M 10/46; H01M 10/425; B60L  
11/182; B60L 11/1809; B60L 11/1861;  
B60R 16/03  
See application file for complete search history.

(56) **References Cited**

**U.S. PATENT DOCUMENTS**

D826,849 S \* 8/2018 Maibach ..... D13/108  
D870,095 S \* 12/2019 Hu ..... D14/253

D916,694 S \* 4/2021 Xiao ..... D14/253  
D931,214 S \* 9/2021 Murillo, Jr. .... D13/119  
D932,426 S \* 10/2021 Twomey ..... D13/108  
D940,655 S \* 1/2022 Murillo, Jr. .... D13/119

**OTHER PUBLICATIONS**

Scott Technologies, Inc., Scott Eagle Attack Thermal Imaging Camera and Charging System Operating and Maintenance Instructions, 2012.

(Continued)

*Primary Examiner* — Christy Nemeth

(74) *Attorney, Agent, or Firm* — Stites & Harbison, PLLC; David W. Nagle, Jr.; Gary N. Stewart

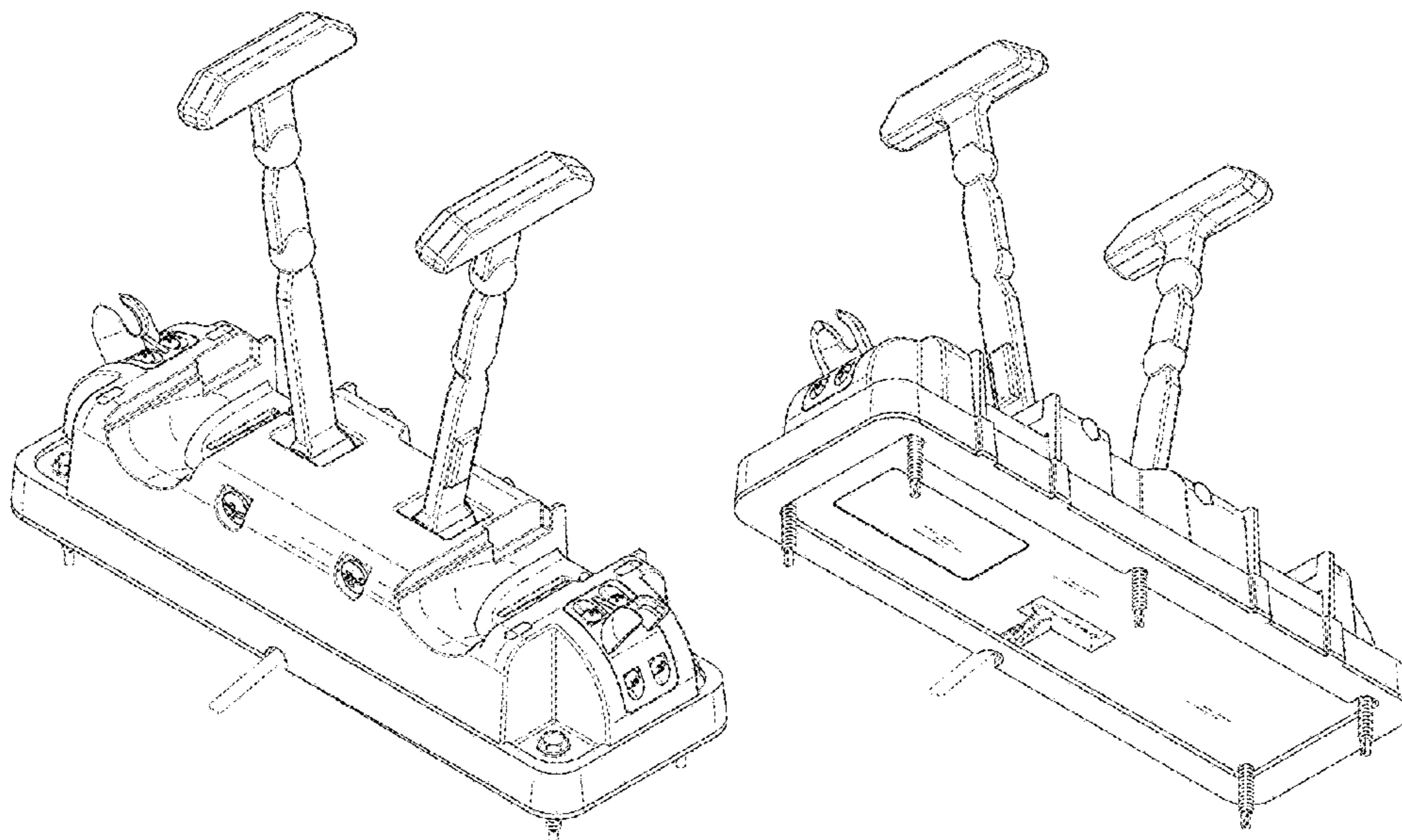
(57) **CLAIM**

The ornamental design for a battery charger for a thermal imager, as shown and described.

**DESCRIPTION**

FIG. 1 is a top perspective view of a battery charger for a thermal imager, shown with the first and second straps in an open configuration;  
FIG. 2 is a top perspective view of the battery charger of FIG. 1, shown with the first and second straps in a closed configuration;  
FIG. 3 is a bottom perspective view of the battery charger of FIG. 1;  
FIG. 4 is a front view of the battery charger of FIG. 1;  
FIG. 5 is a rear view of the battery charger of FIG. 1;  
FIG. 6 is a left side view of the battery charger of FIG. 1;  
FIG. 7 is a right side view of the battery charger of FIG. 1;  
FIG. 8 is a top view of the battery charger of FIG. 1; and,  
FIG. 9 is a bottom view of the battery charger of FIG. 1.  
The broken lines shown in the drawings depict portions of the battery charger that form no part of the claimed design.

**1 Claim, 9 Drawing Sheets**



(56)

**References Cited**

OTHER PUBLICATIONS

E.D. Bullard Company, Bullard Powerhouse Charging Station User Manual for use with the Bullard Tacsight Thermal Imager, 2007.

E.D. Bullard Company, Bullard Powerhouse Charging Station User Manual for use with the Bullard T3 Series and T4 Thermal Imager, 2010.

E.D. Bullard Company, Bullard XT Series Charging Units User Manual, 2016.

\* cited by examiner

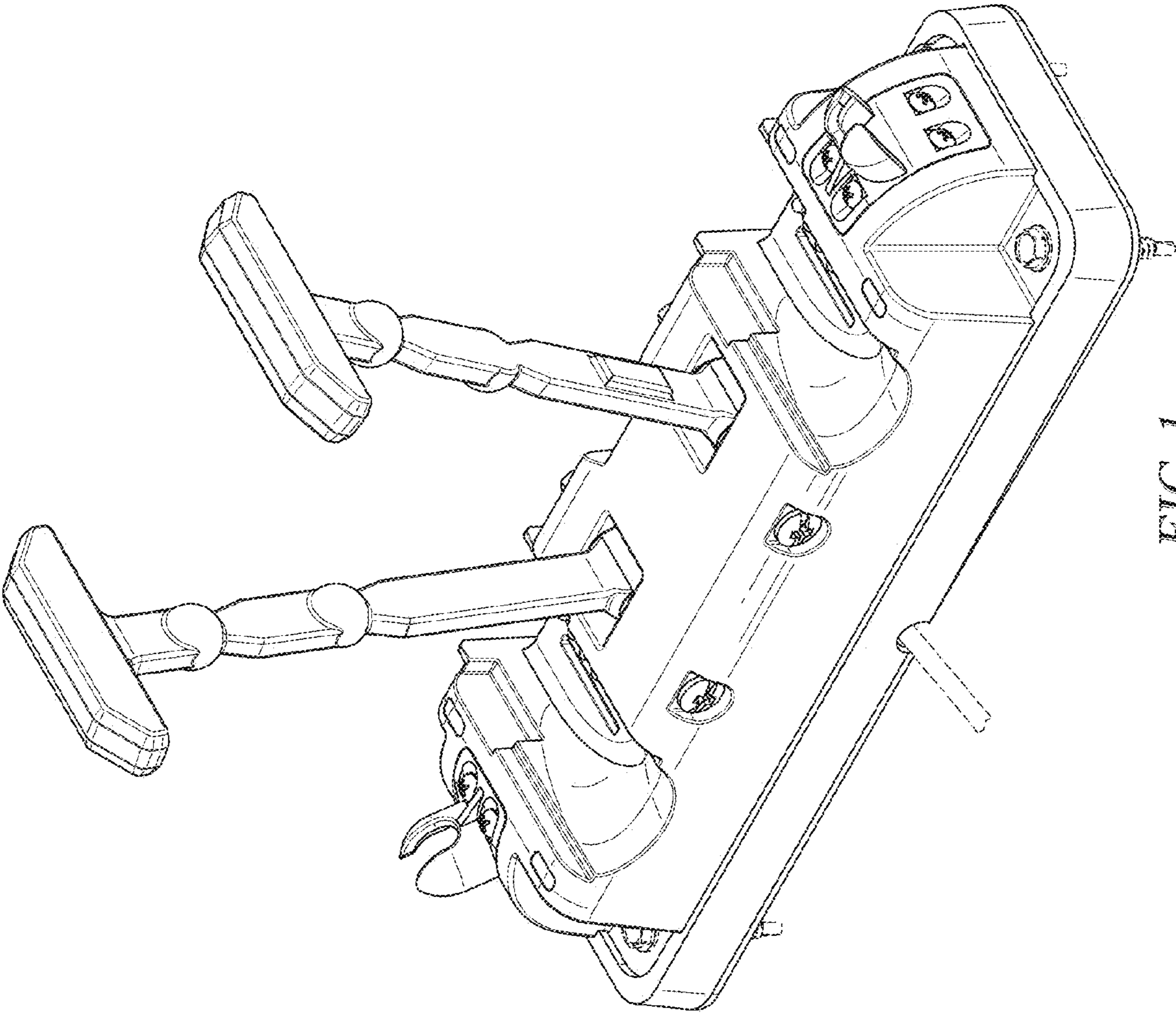


FIG. 1



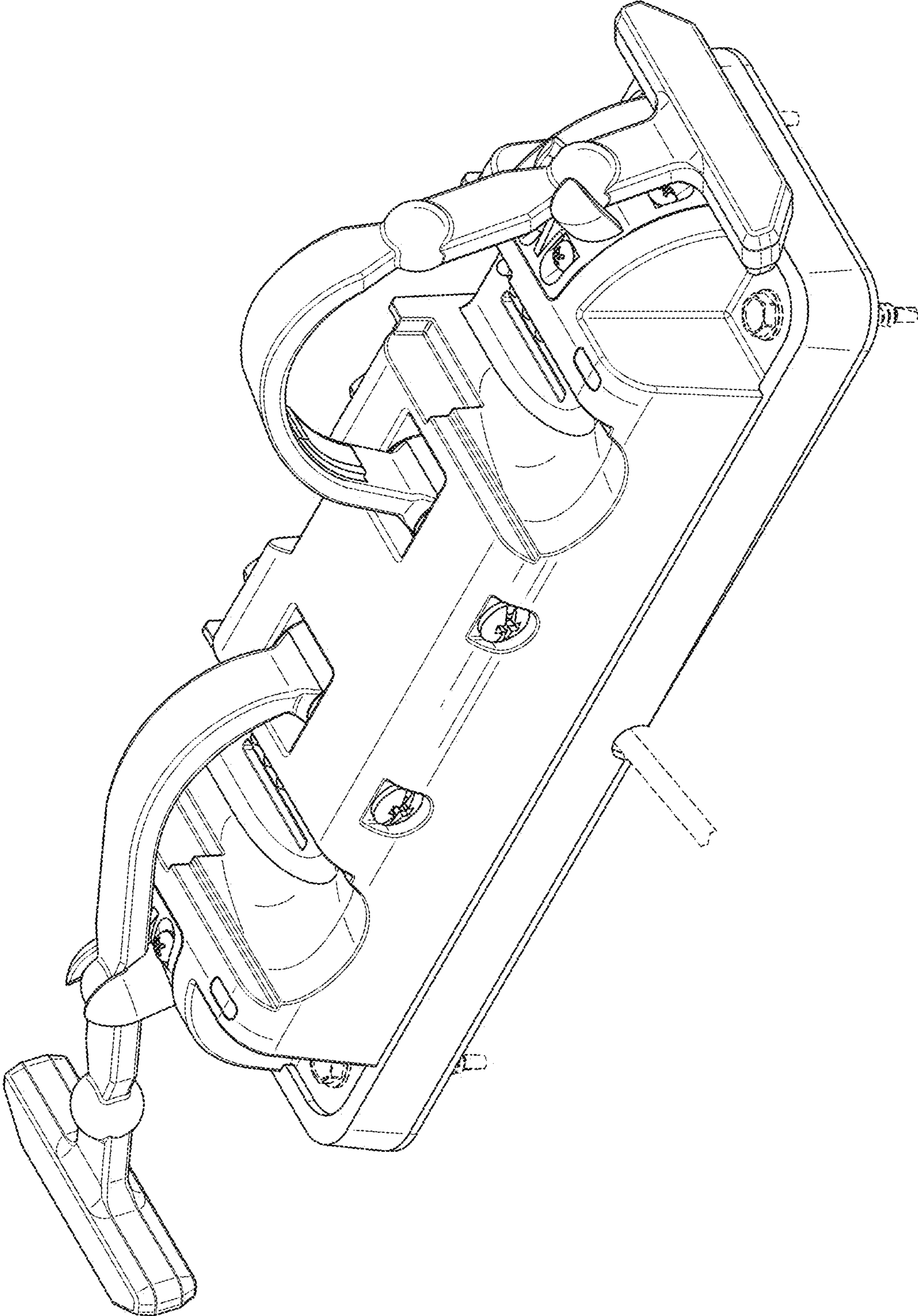


FIG. 2

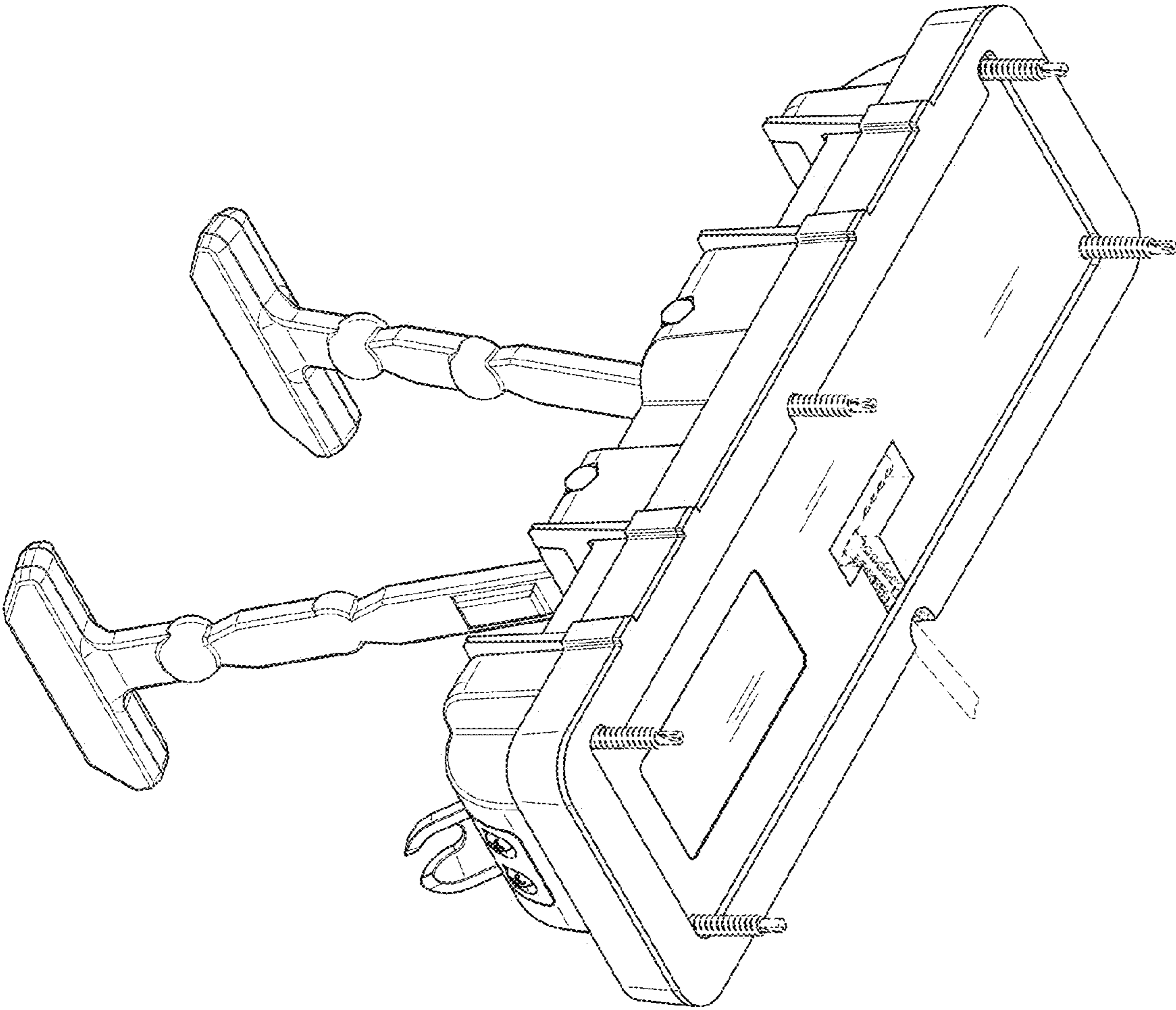


FIG. 3

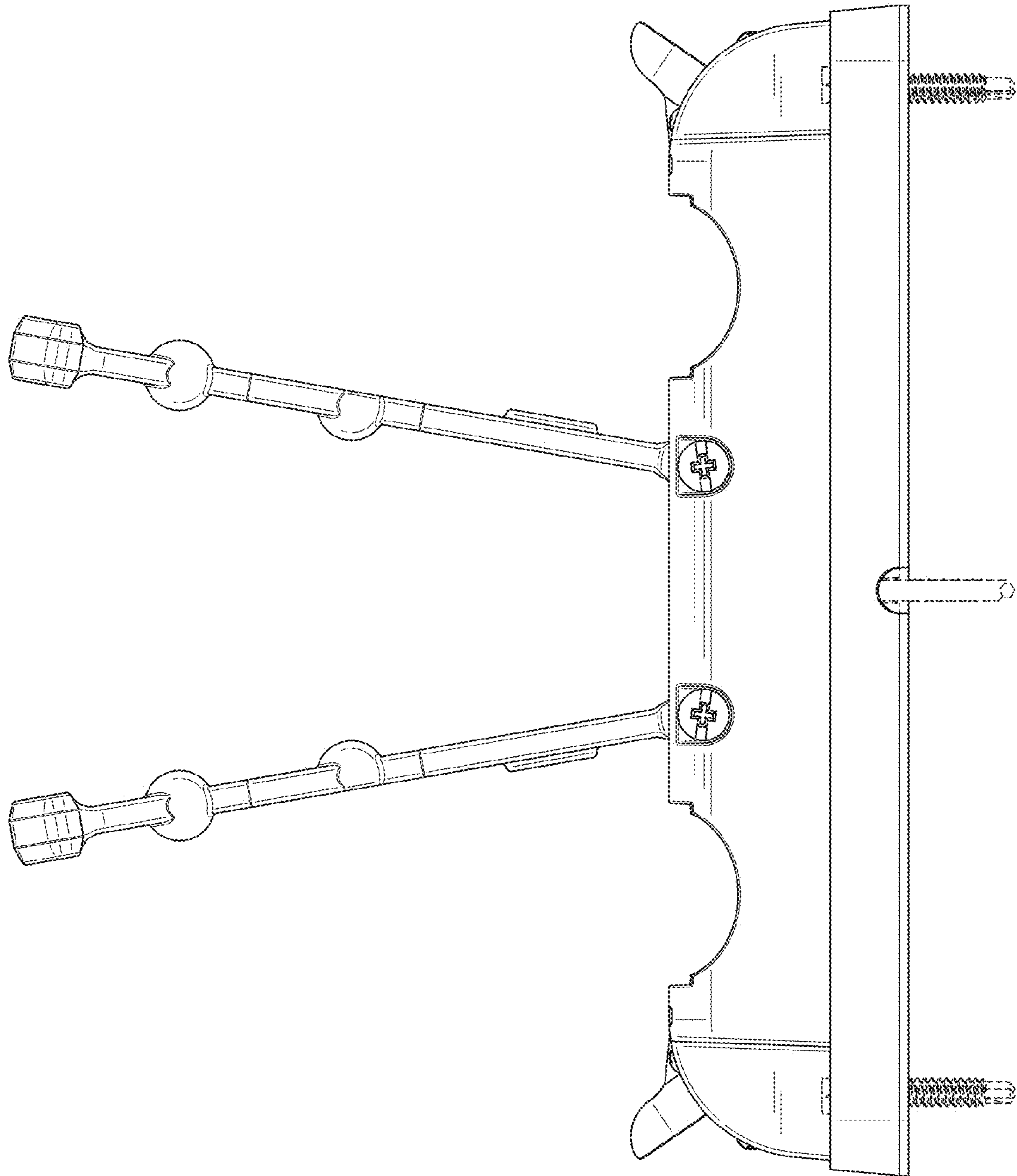


FIG. 4

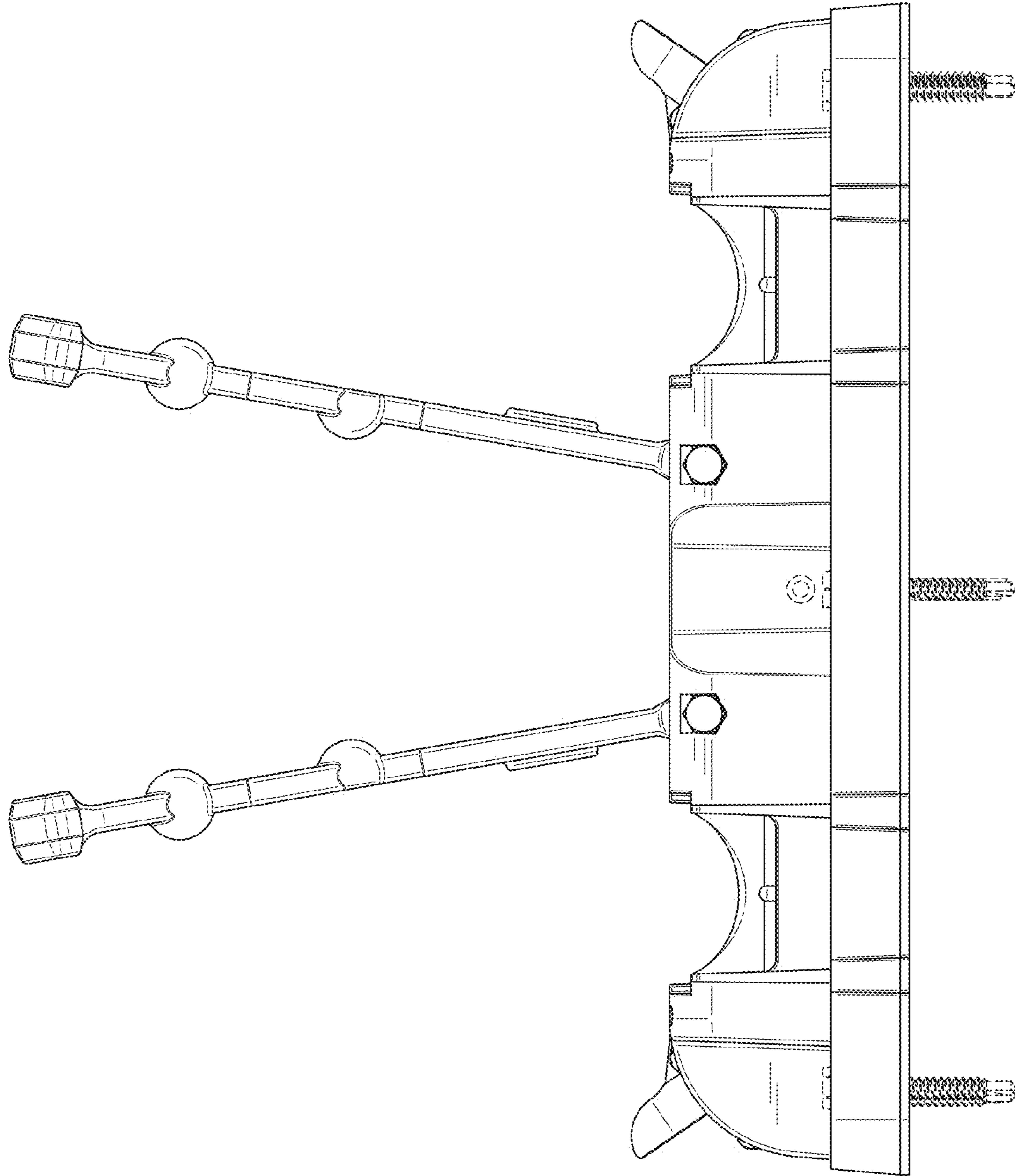


FIG. 5

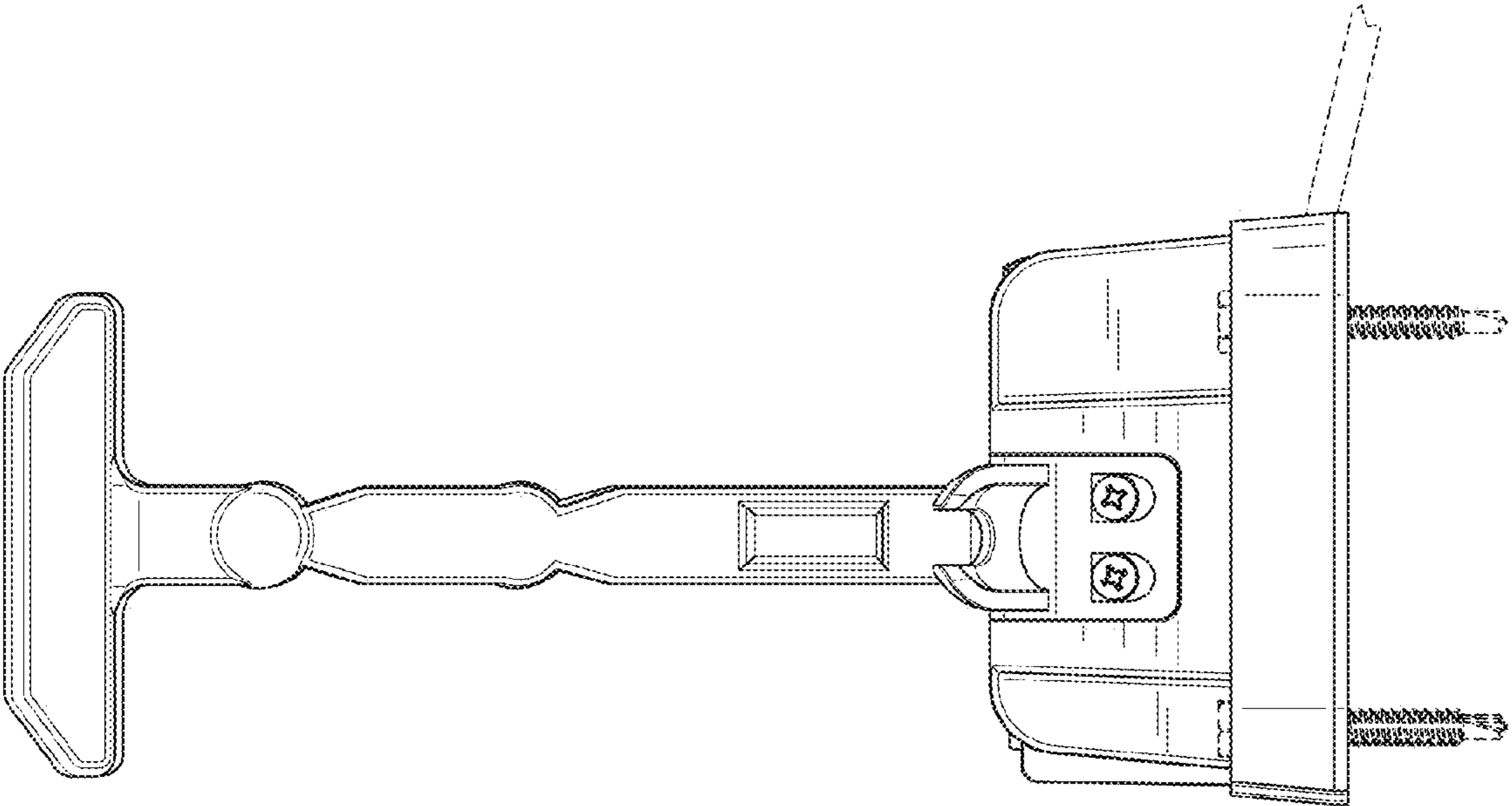


FIG. 6



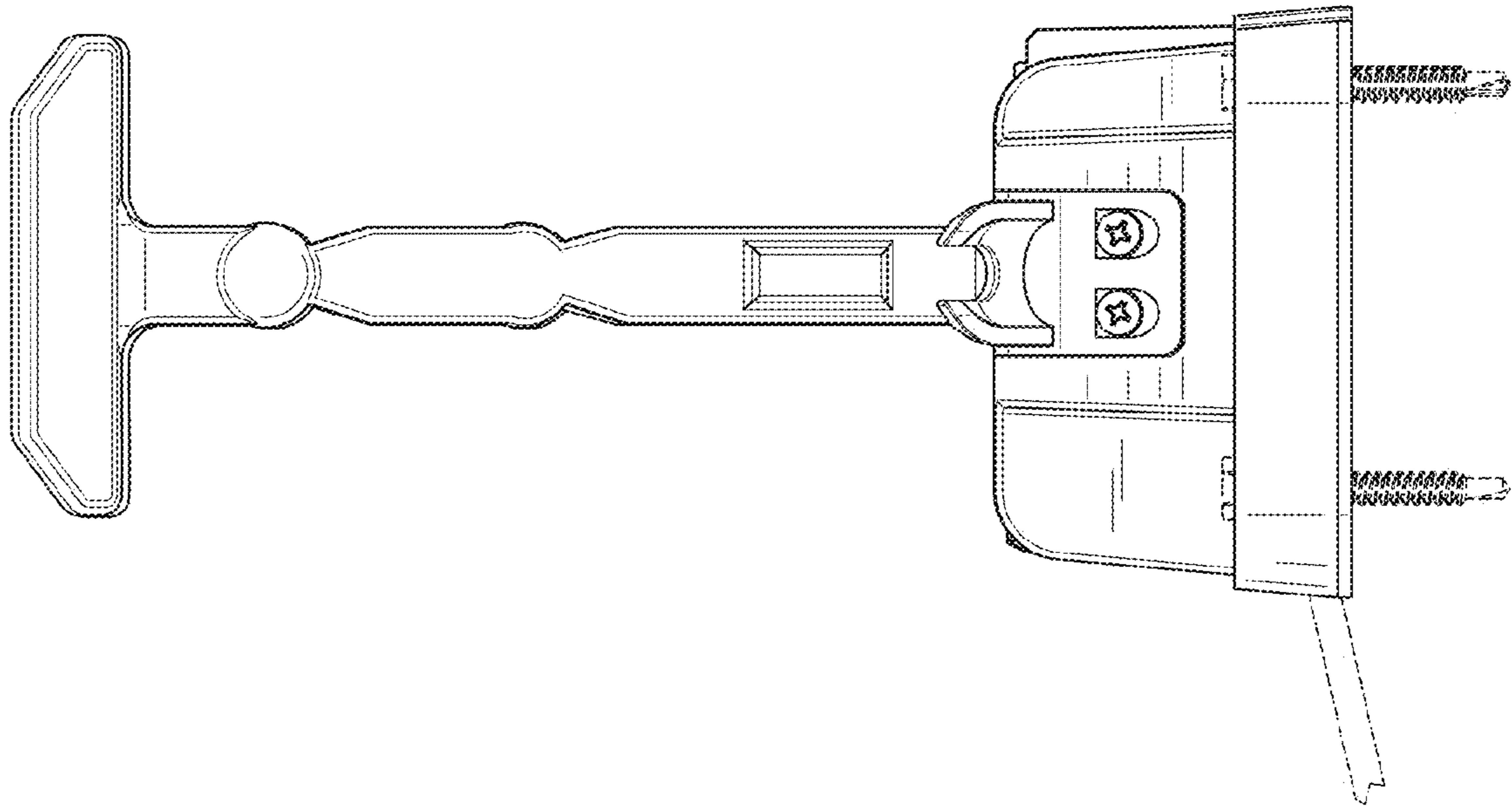


FIG. 7

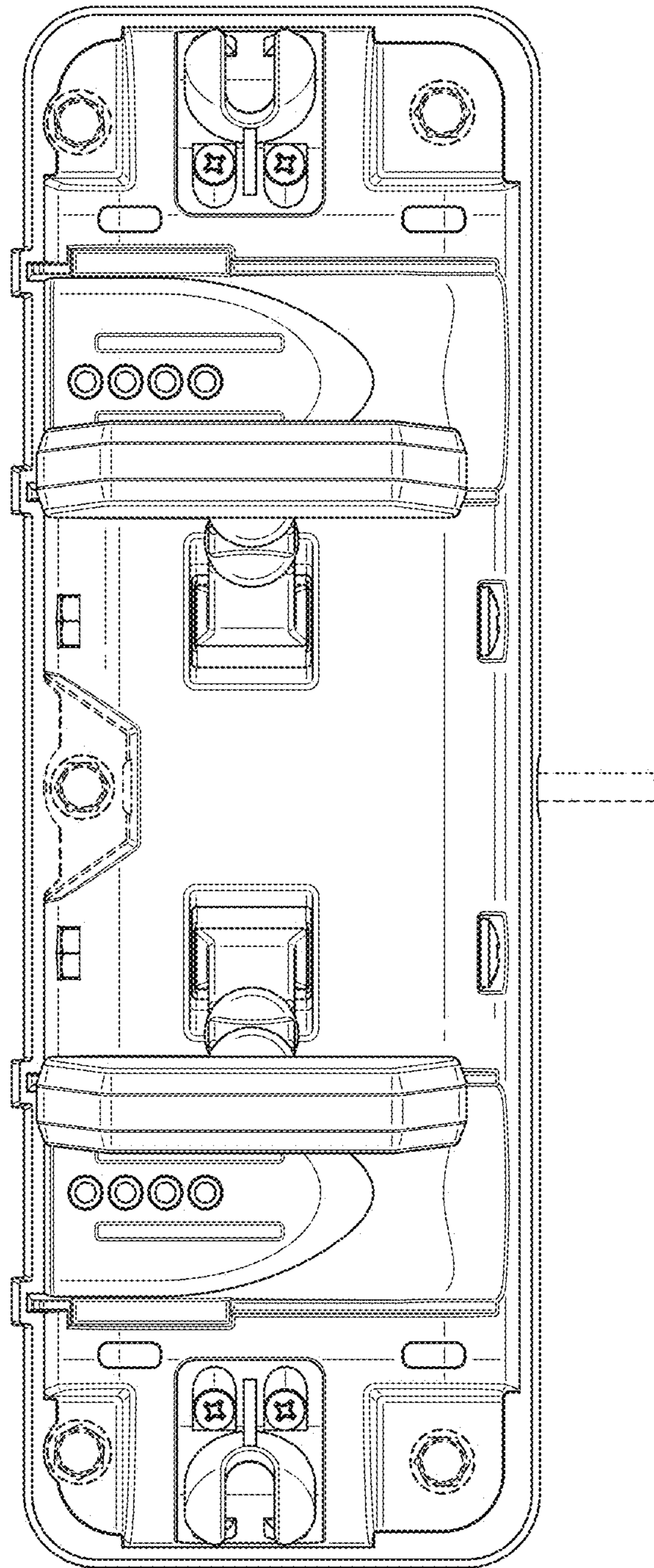


FIG. 8

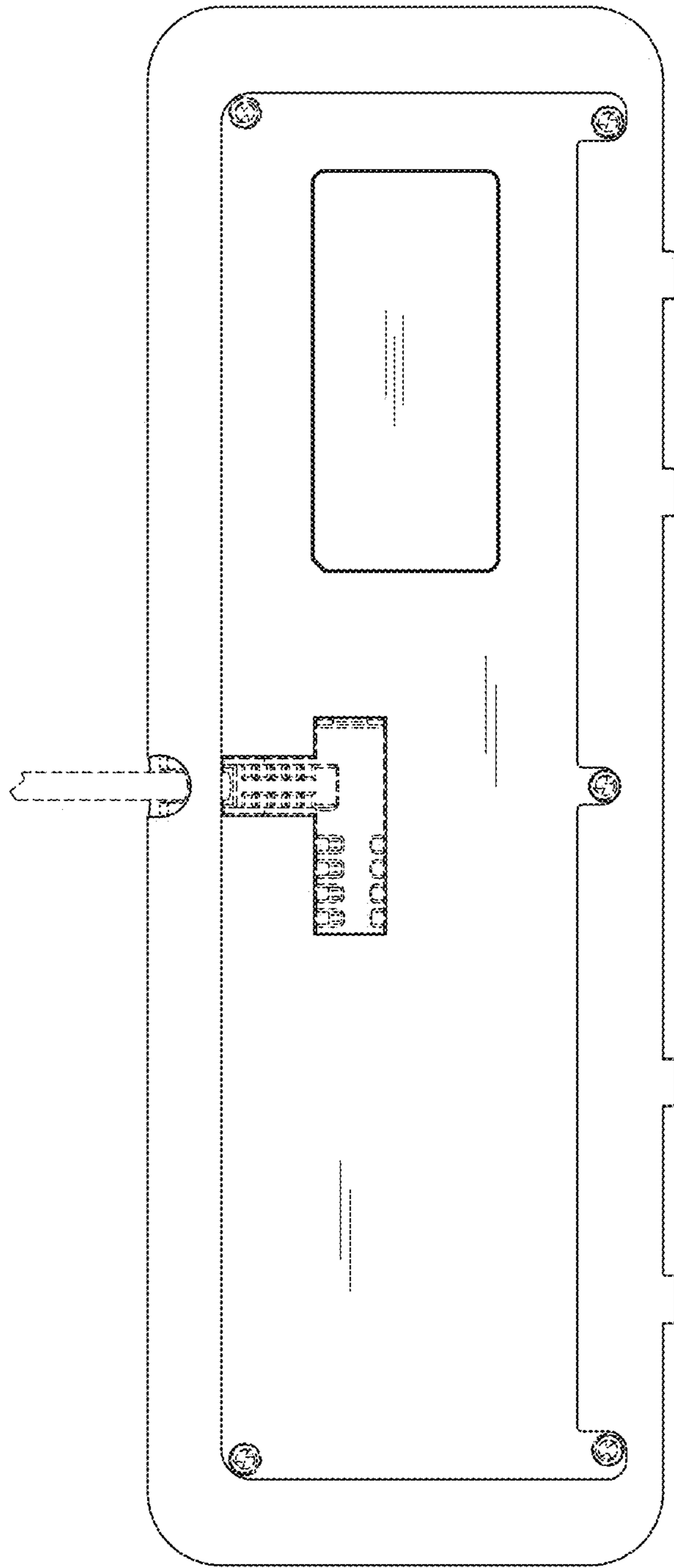


FIG. 9