



US00D962149S

(12) **United States Design Patent**
He et al.

(10) **Patent No.:** **US D962,149 S**

(45) **Date of Patent:** **** Aug. 30, 2022**

(54) **TONNEAU COVER**

(71) Applicants: **Anqi He**, Rui'an (CN); **Dewei He**,
Rui'an (CN); **Qisheng Ye**, Rui'an (CN)

(72) Inventors: **Anqi He**, Rui'an (CN); **Dewei He**,
Rui'an (CN); **Qisheng Ye**, Rui'an (CN)

(**) Term: **15 Years**

(21) Appl. No.: **29/811,528**

(22) Filed: **Oct. 14, 2021**

(51) **LOC (13) Cl.** **12-16**

(52) **U.S. Cl.**
USPC **D12/401**

(58) **Field of Classification Search**
USPC D12/401-405; D6/610, 611, 596, 601,
D6/602, 603, 615, 617, 621; D7/332,
D7/334-337
CPC B60J 11/08; B60J 11/06; A47C 31/10
See application file for complete search history.

(56) **References Cited**

U.S. PATENT DOCUMENTS

D687,760 S	8/2013	Gros	
D776,601 S	1/2017	McDonald, II et al.	
D888,852 S *	6/2020	Fu	D21/686
D893,397 S *	8/2020	Ekstrom	D12/406
D907,563 S *	1/2021	Shi	D12/401
D915,996 S *	4/2021	Kentley-Klay	D12/404
D916,325 S *	4/2021	Paya-Marin	D25/103
D920,883 S *	6/2021	Yung	D12/222
D926,106 S *	7/2021	Wang	D12/406
D939,423 S *	12/2021	Williams	D12/406
D944,182 S *	2/2022	Badillo	D12/412

D955,968 S *	6/2022	Krausse	D12/401
11,370,283 B2 *	6/2022	Facchinello	B60J 7/198
2002/0032749 A1 *	3/2002	Isherwood	G06Q 30/02 709/217
2020/0180415 A1 *	6/2020	Spencer	B60P 7/02

* cited by examiner

Primary Examiner — Katrina A Betton

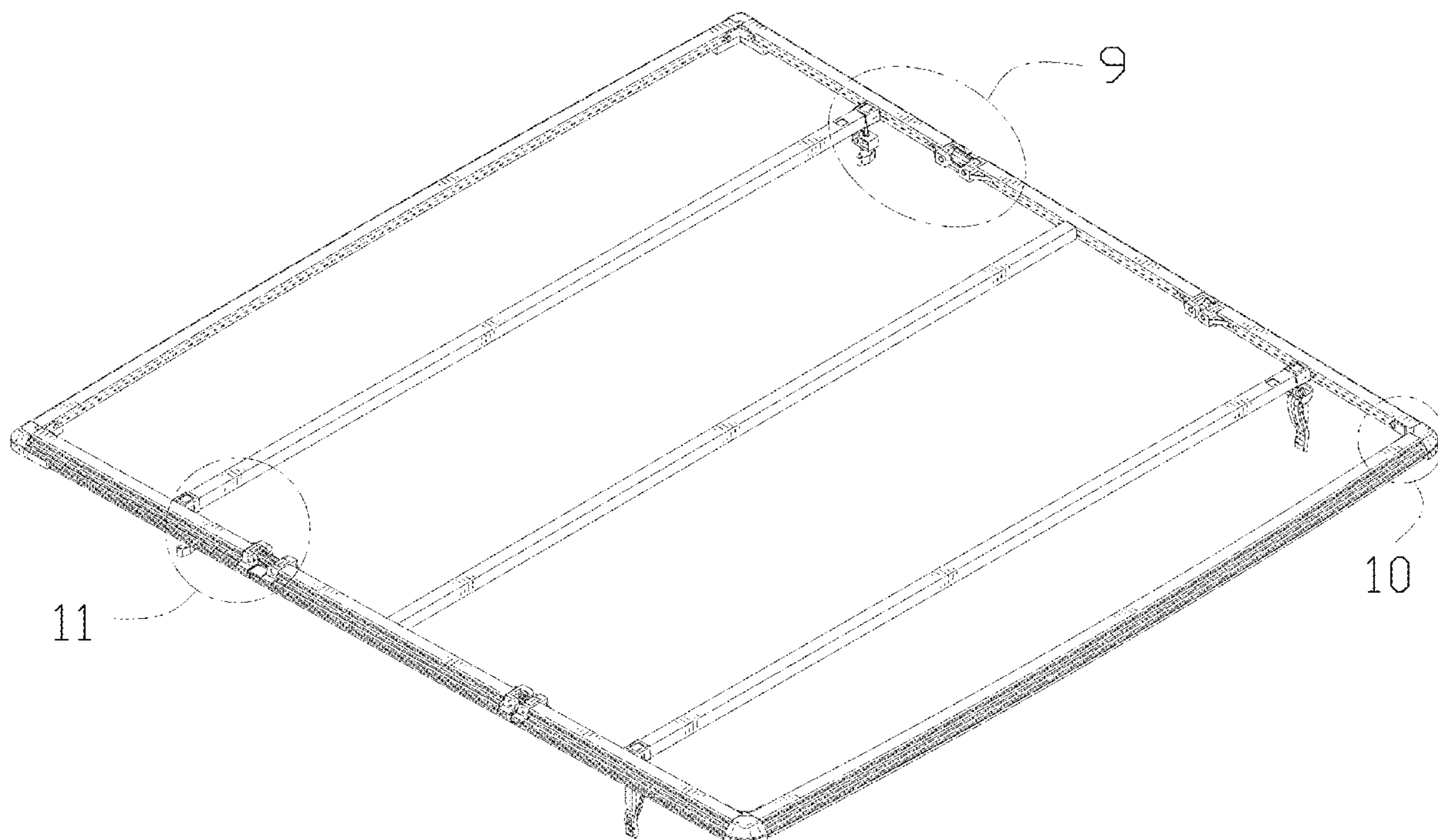
(57) **CLAIM**

The ornamental design for a tonneau cover, as shown and described.

DESCRIPTION

FIG. 1 is a perspective view of a tonneau cover showing our new design;
 FIG. 2 is another perspective view thereof;
 FIG. 3 is a front elevational view thereof;
 FIG. 4 is a rear elevational view thereof;
 FIG. 5 is a left side elevational view thereof;
 FIG. 6 is a right side elevational view thereof;
 FIG. 7 is a top plan view thereof;
 FIG. 8 is a bottom plan view thereof;
 FIG. 9 is an enlarged view of portion 9 shown in FIG. 1;
 FIG. 10 is an enlarged view of portion 10 shown in FIG. 1;
 FIG. 11 is an enlarged view of portion 11 shown in FIG. 1;
 FIG. 12 is an enlarged view of portion 12 shown in FIG. 2;
 FIG. 13 is an enlarged view of portion 13 shown in FIG. 2;
 and,
 FIG. 14 is an enlarged view of portion 14 shown in FIG. 2.
 The dash-dash broken lines in the drawings depict portions of the tonneau cover that form no part of the claimed design. The dot-dash broken lines represent boundaries of the enlarged portions and form no part of the claimed design.

1 Claim, 14 Drawing Sheets



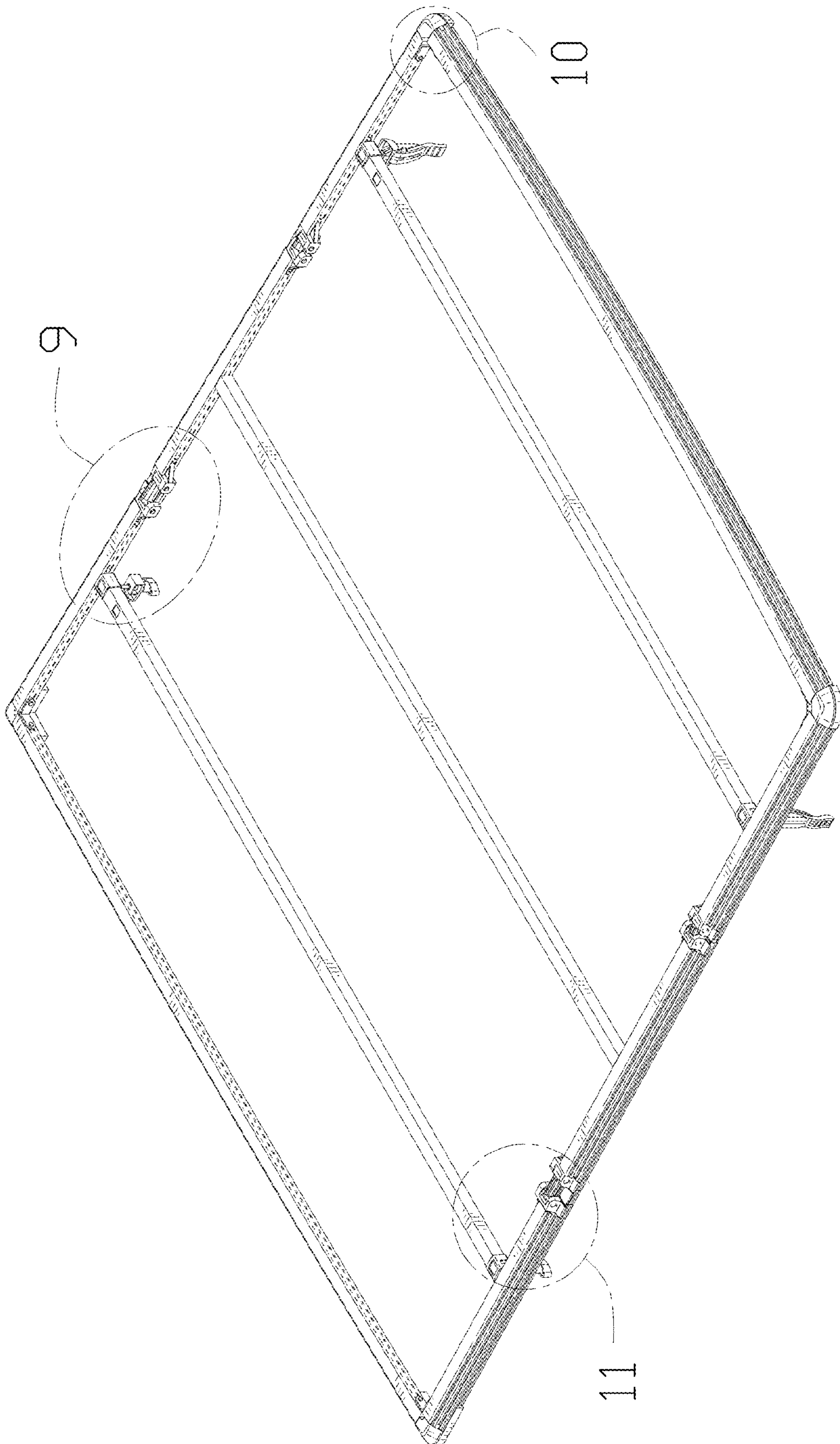


FIG. 1

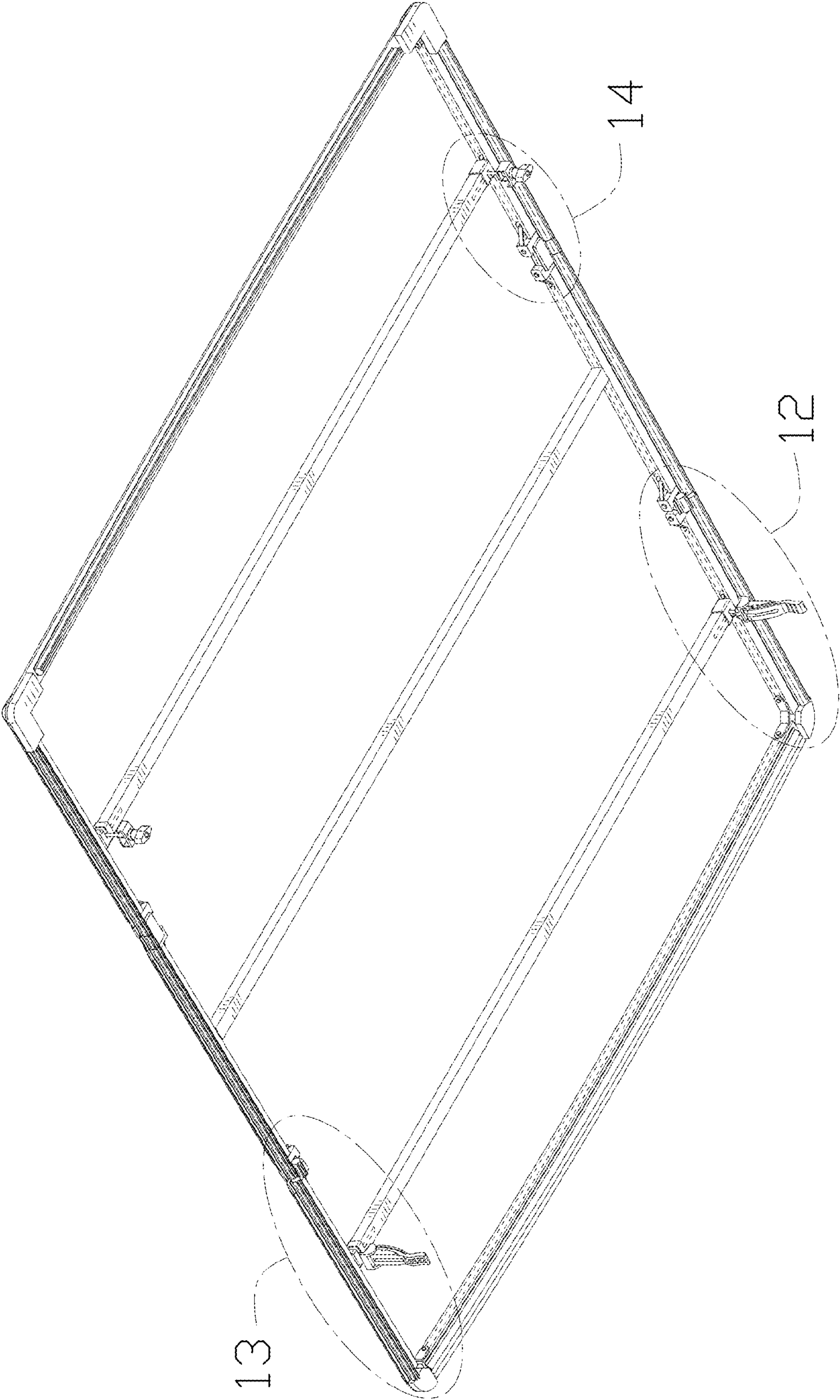


FIG. 2

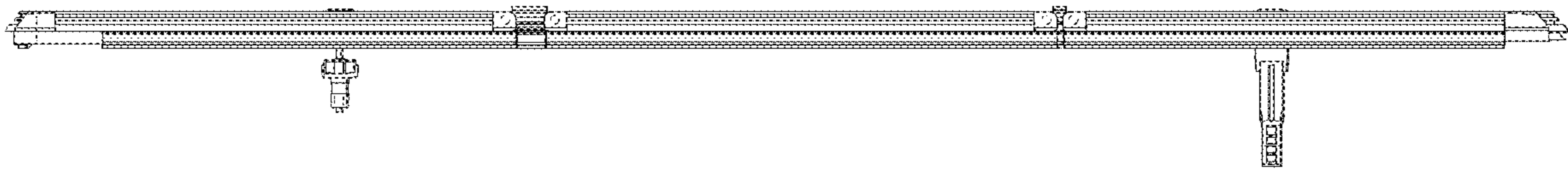


FIG. 3

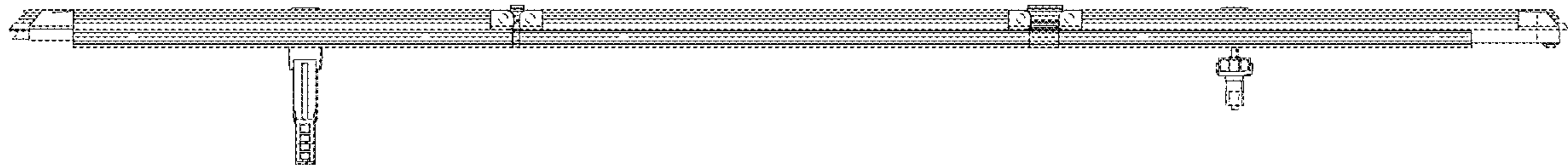


FIG. 4

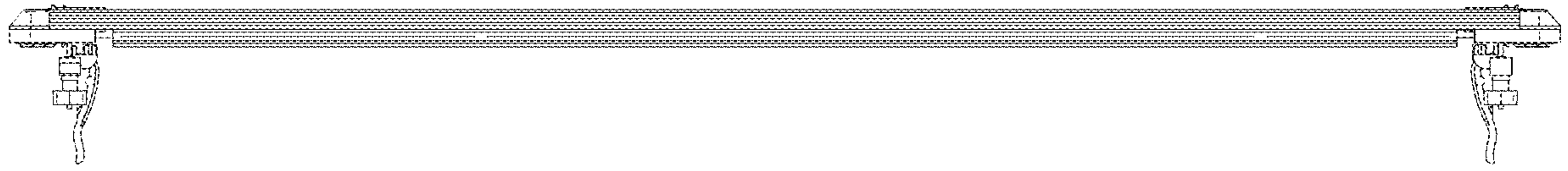


FIG. 5

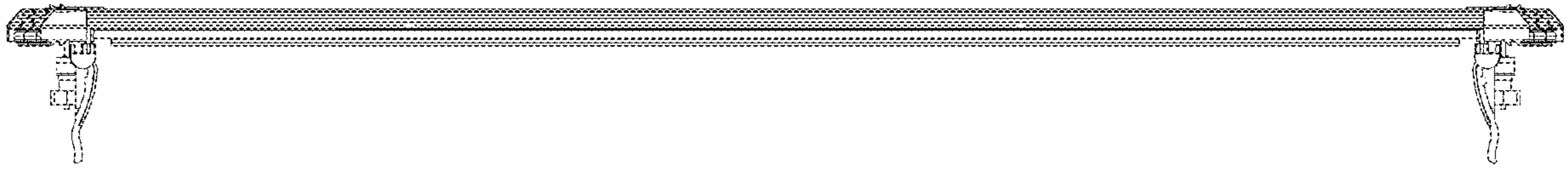


FIG. 6

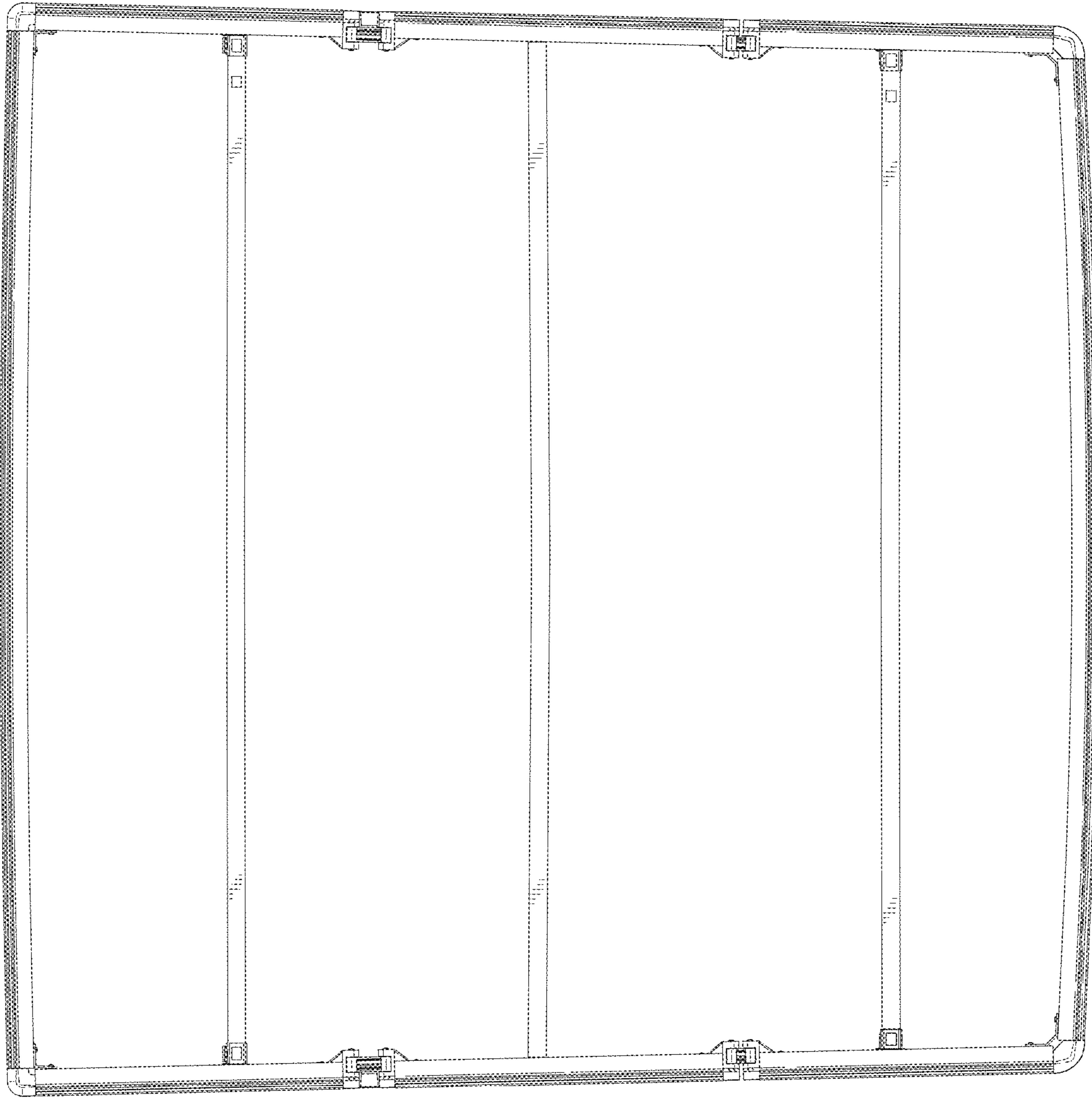


FIG. 7

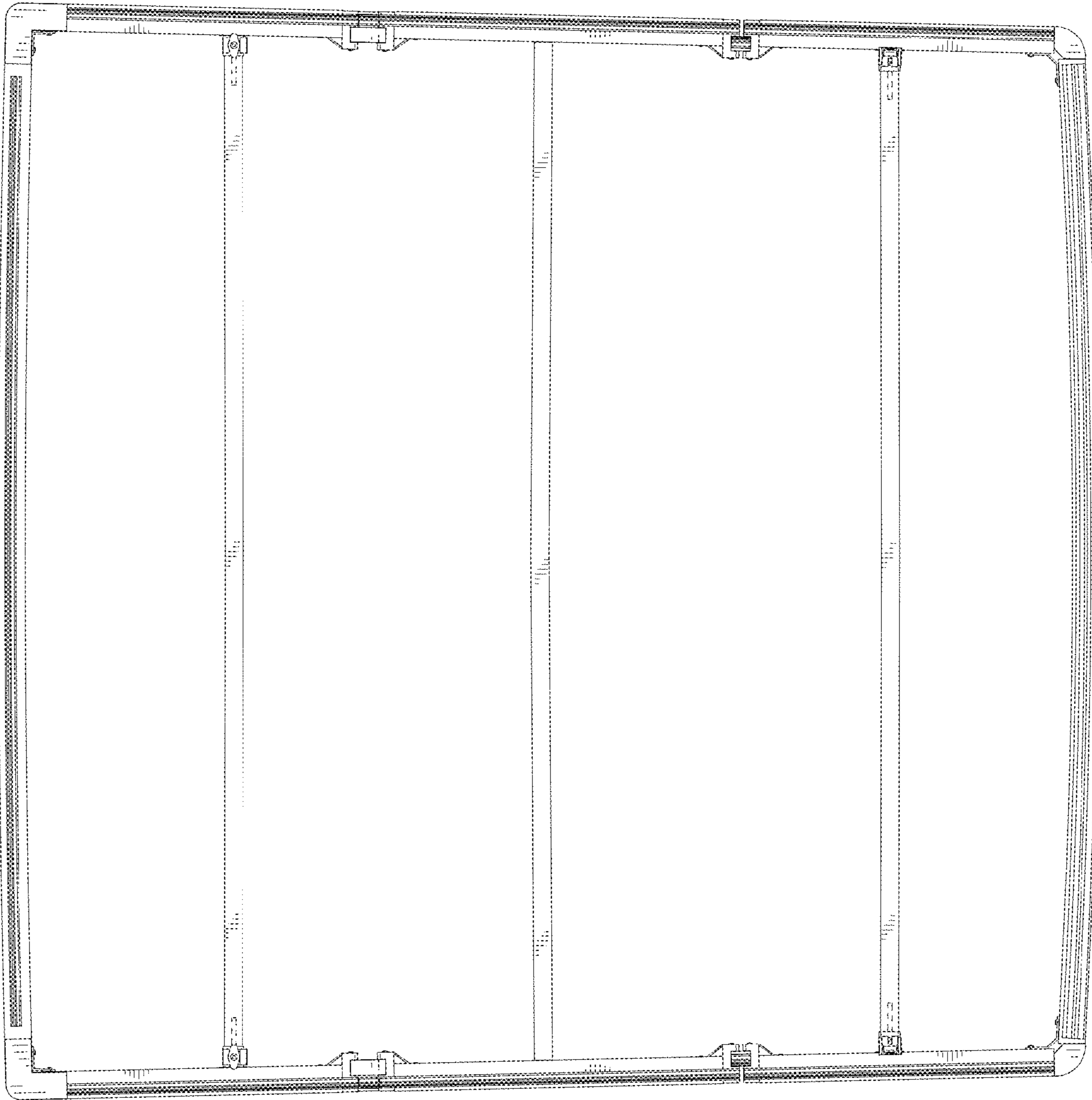


FIG. 8

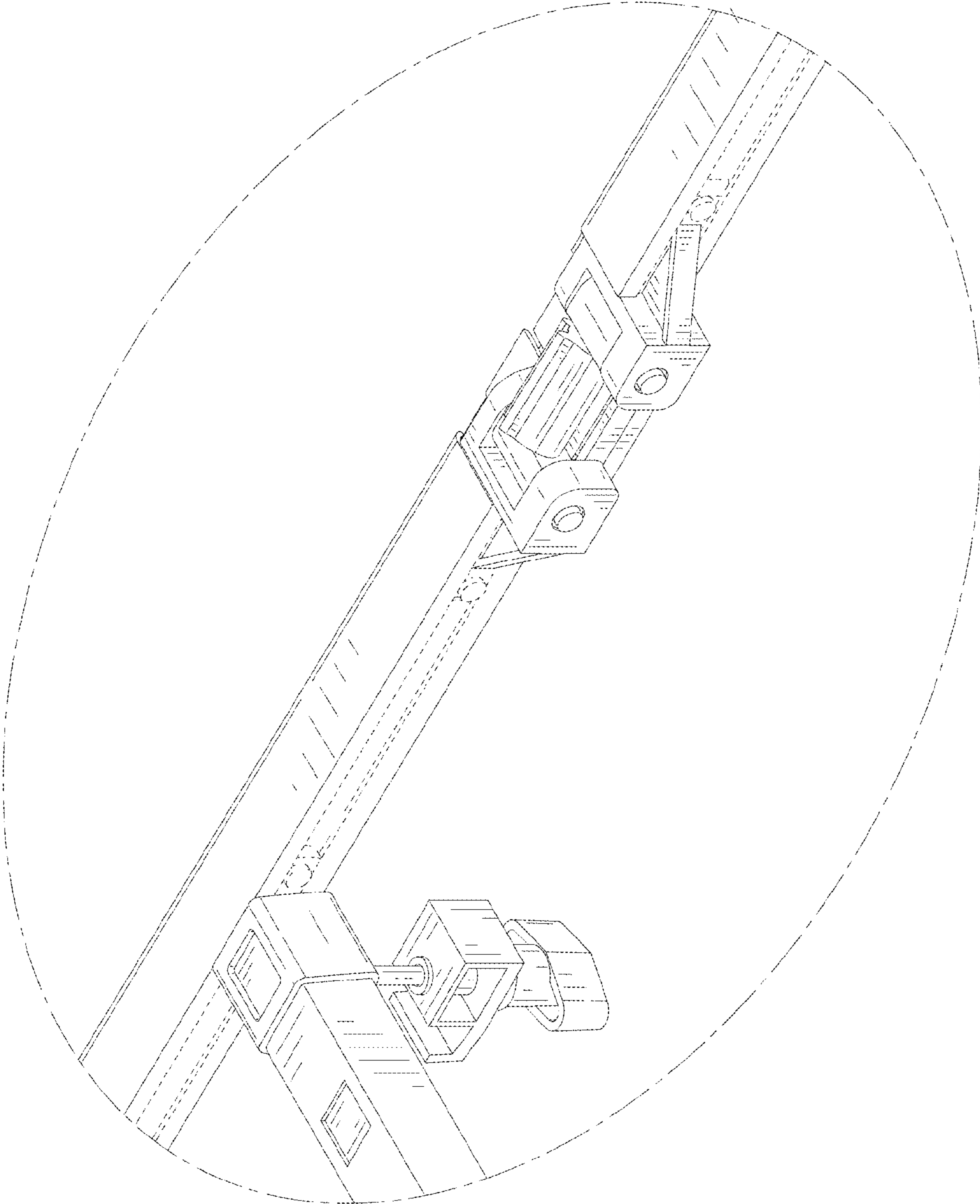


FIG. 9

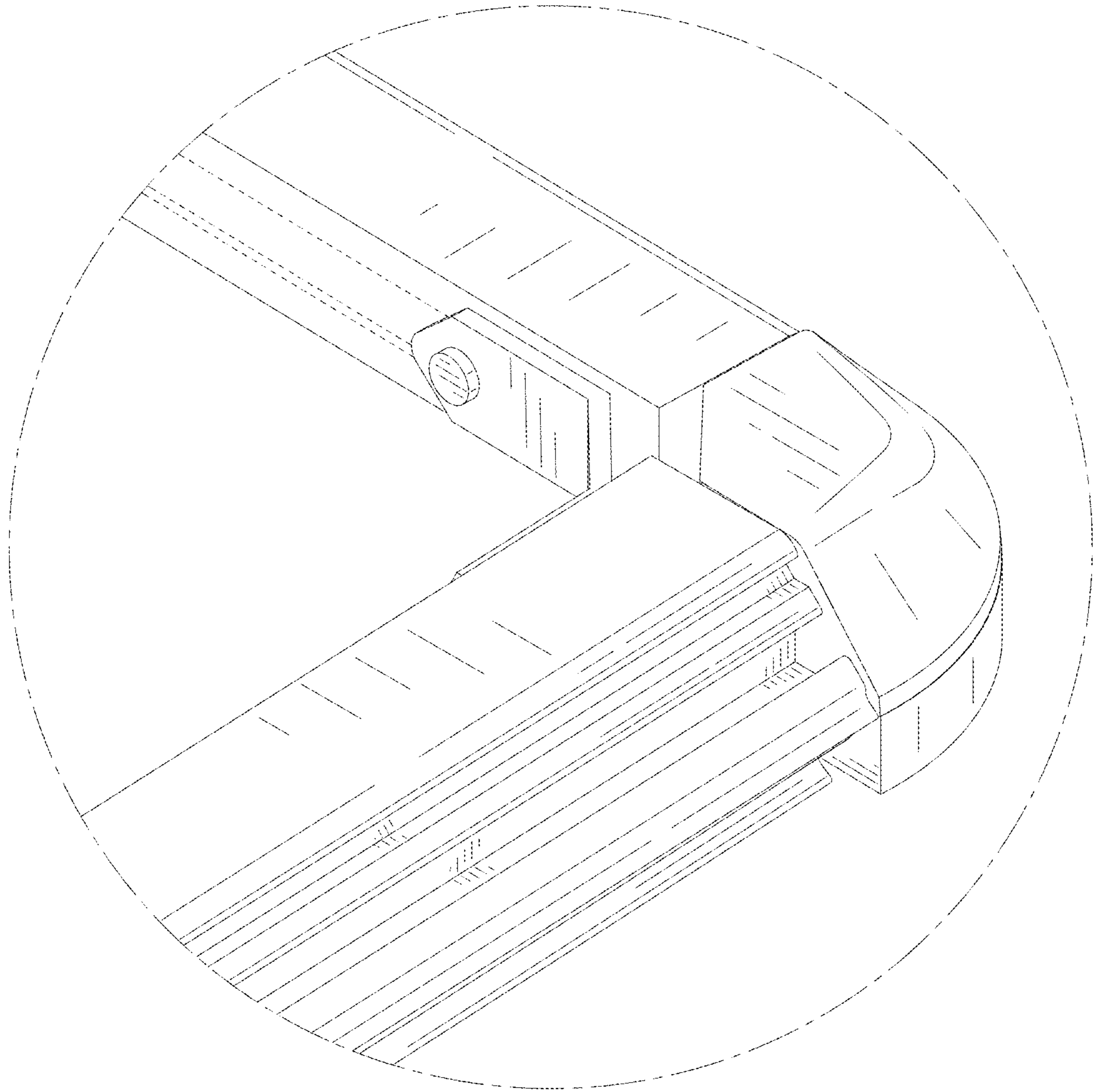


FIG. 10

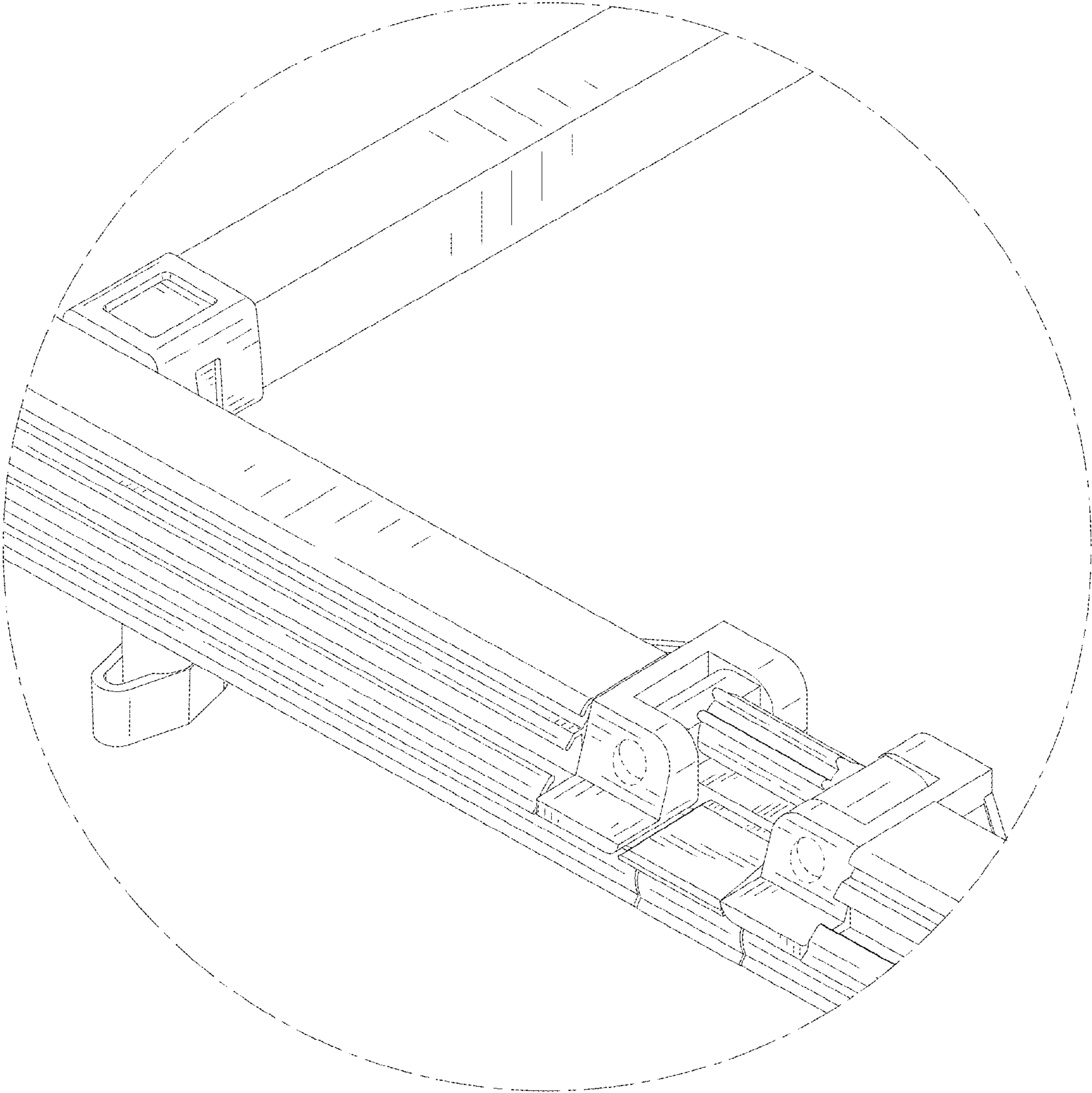


FIG. 11

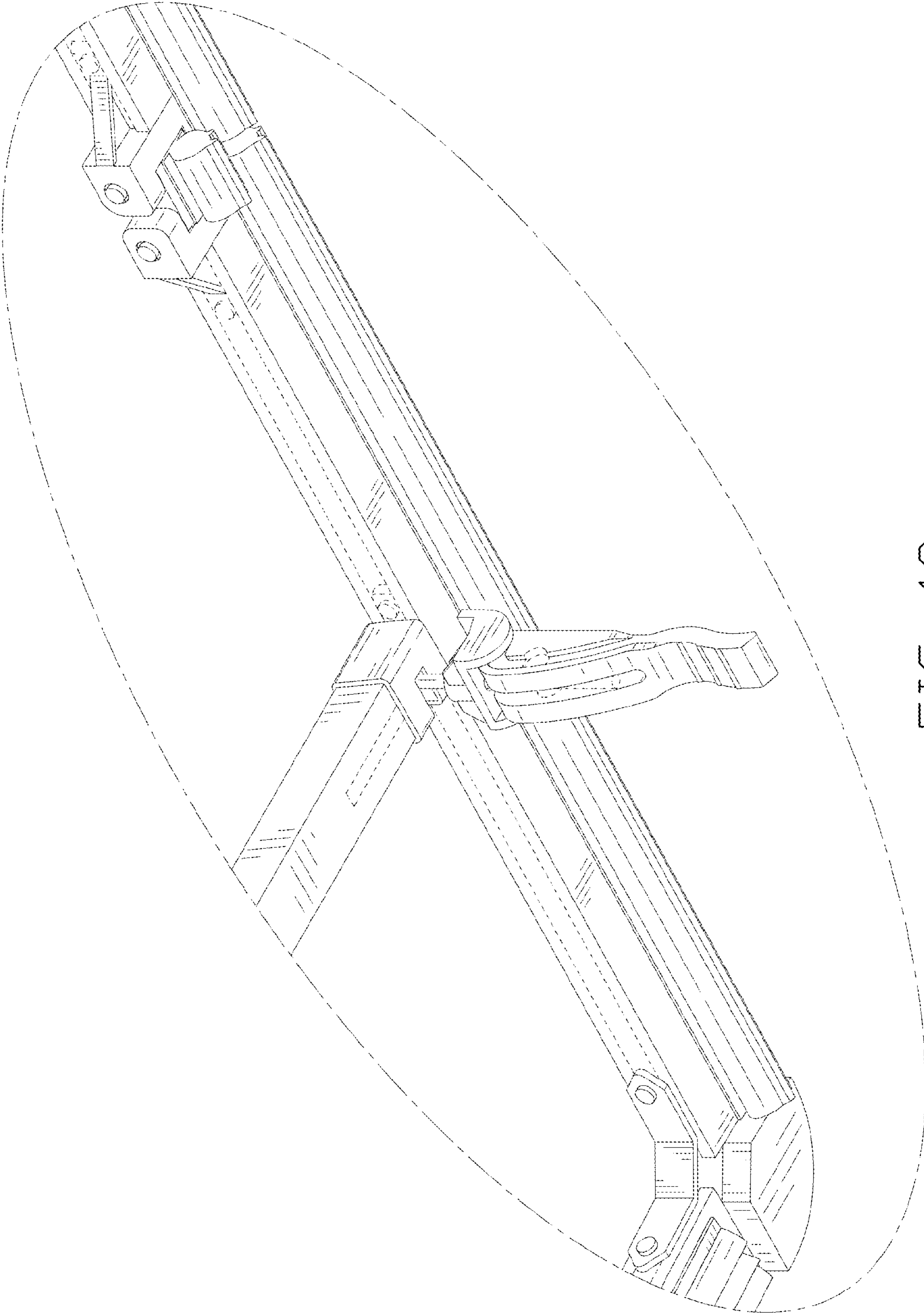


FIG. 12

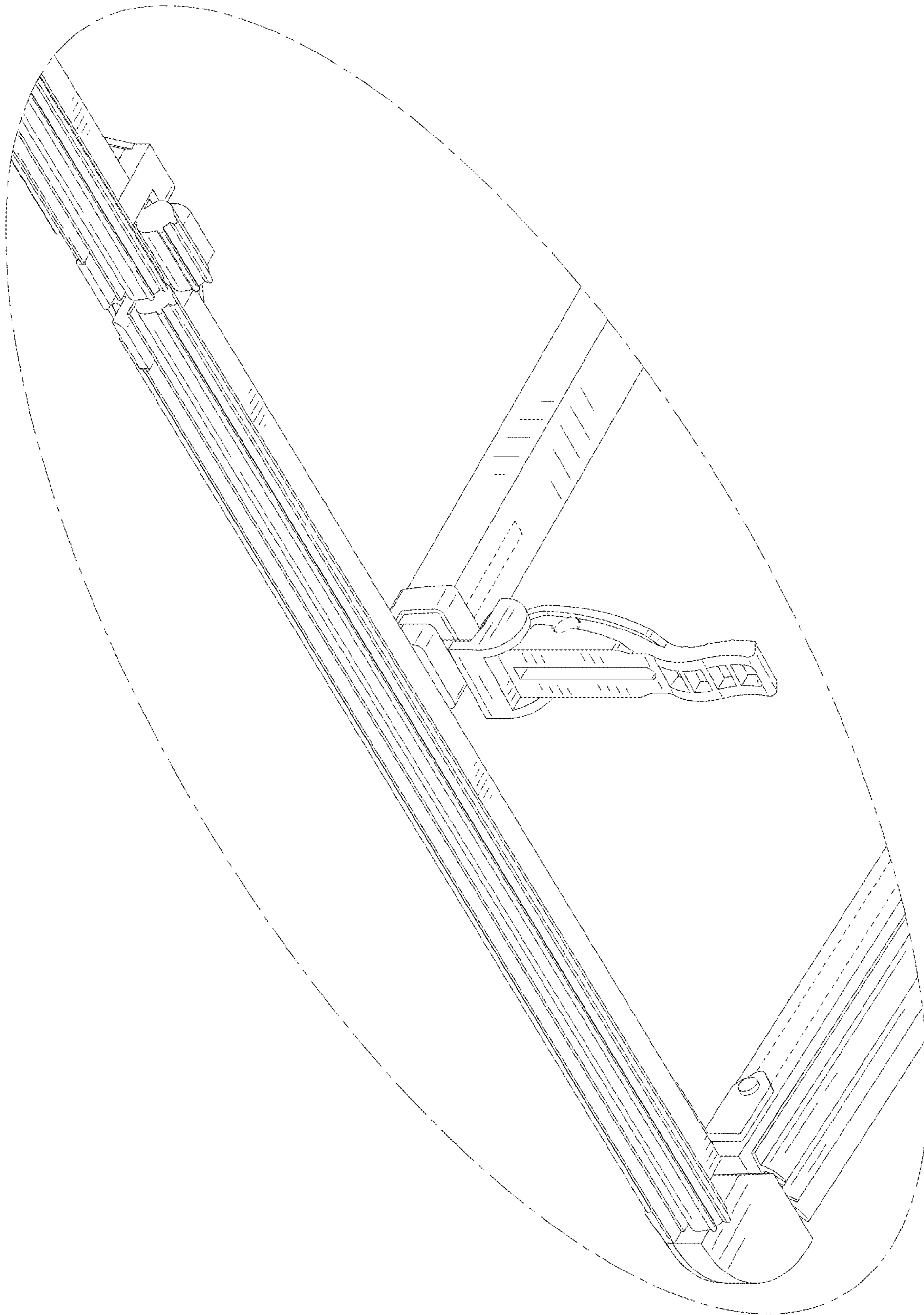


FIG. 13

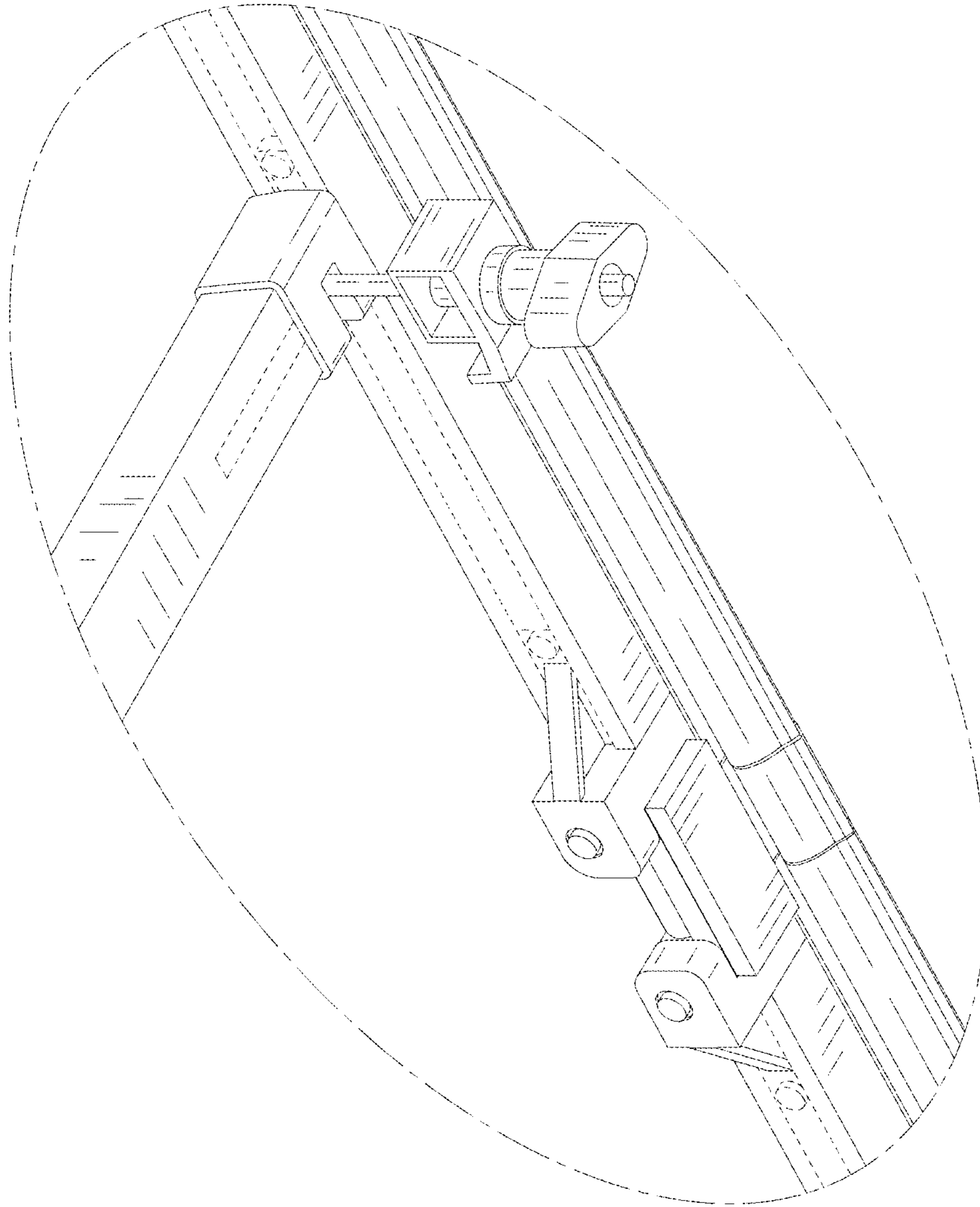


FIG. 14