



US00D962147S

(12) **United States Design Patent**
Zhang

(10) **Patent No.:** **US D962,147 S**

(45) **Date of Patent:** **** Aug. 30, 2022**

(54) **PORT WRAP EYE SLING**

(71) Applicant: **Liwei Zhang**, Shanghai (CN)

(72) Inventor: **Liwei Zhang**, Shanghai (CN)

(**) Term: **15 Years**

(21) Appl. No.: **29/795,932**

(22) Filed: **Jun. 22, 2021**

(51) **LOC (13) Cl.** **12-16**

(52) **U.S. Cl.**
USPC **D12/400**

(58) **Field of Classification Search**
USPC D12/162, 159, 160, 161, 400, 317;
D21/777, 810
CPC B62D 33/033; B60D 1/36; B60D 1/06;
B60D 1/00; B60D 1/065; B60D 1/60
See application file for complete search history.

(56) **References Cited**

U.S. PATENT DOCUMENTS

8,920,084	B2 *	12/2014	Dahl	B63B 59/02 410/96
D747,176	S *	1/2016	Petzl	D8/356
D888,618	S	6/2020	Pang		
D909,164	S	2/2021	Kong		
D917,267	S *	4/2021	Pang	D8/367
D928,670	S *	8/2021	Luo	D12/162
11,167,164	B2 *	11/2021	Landis	A63B 21/0557
D945,945	S *	3/2022	Hu	D12/162

2001/0032576	A1 *	10/2001	Brown	B63B 21/00 114/230.1
2007/0039538	A1 *	2/2007	Scotti	B63B 21/00 114/230.26
2008/0196650	A1 *	8/2008	Fernung	B63B 21/08 114/230.24
2013/0167765	A1 *	7/2013	Eppen	B63B 21/22 114/230.26
2020/0398621	A1 *	12/2020	Landis	B60D 1/52

* cited by examiner

Primary Examiner — Katrina A Betton

(74) *Attorney, Agent, or Firm* — Che-Yang Chen; Law Office of Michael Chen

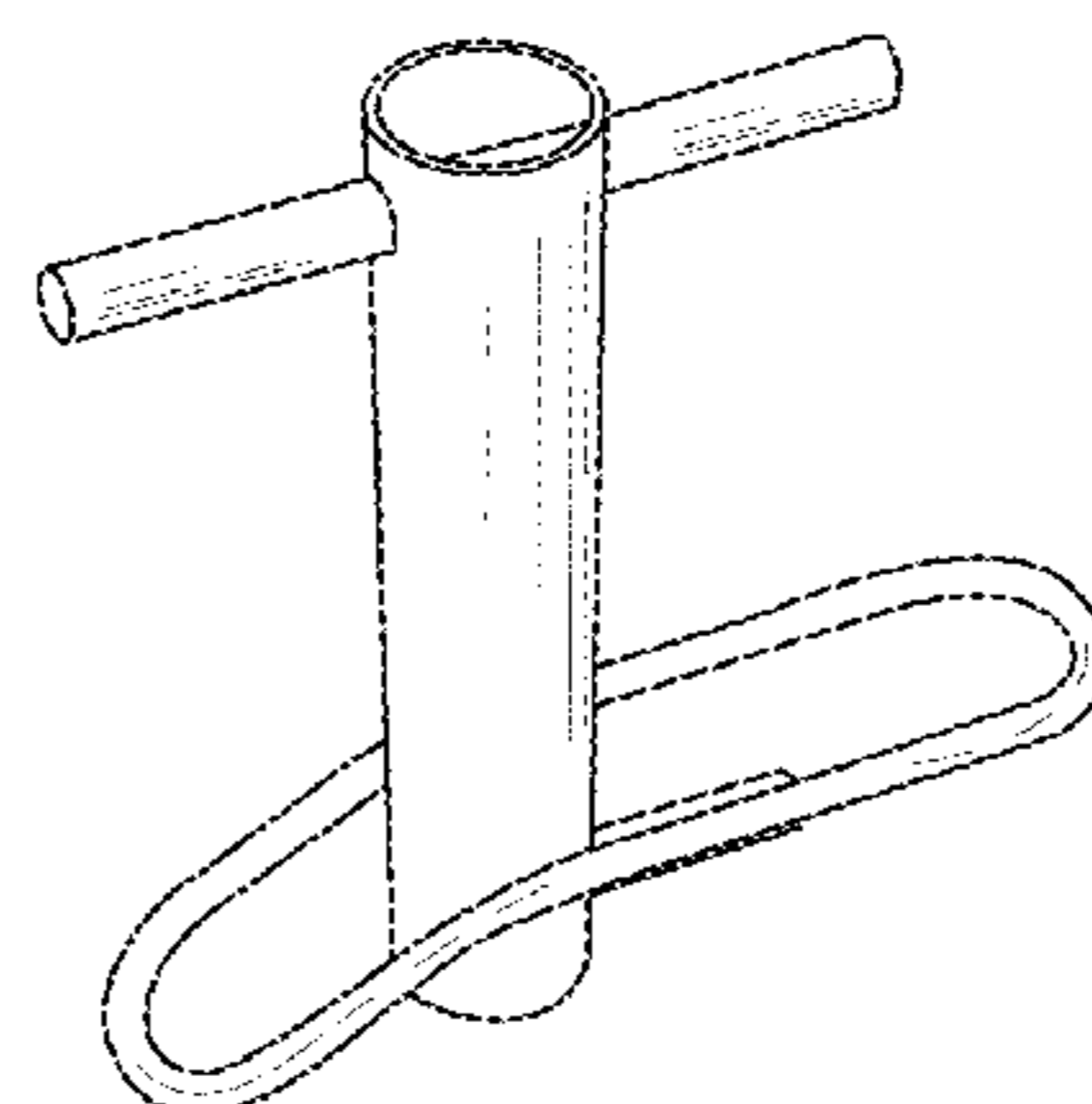
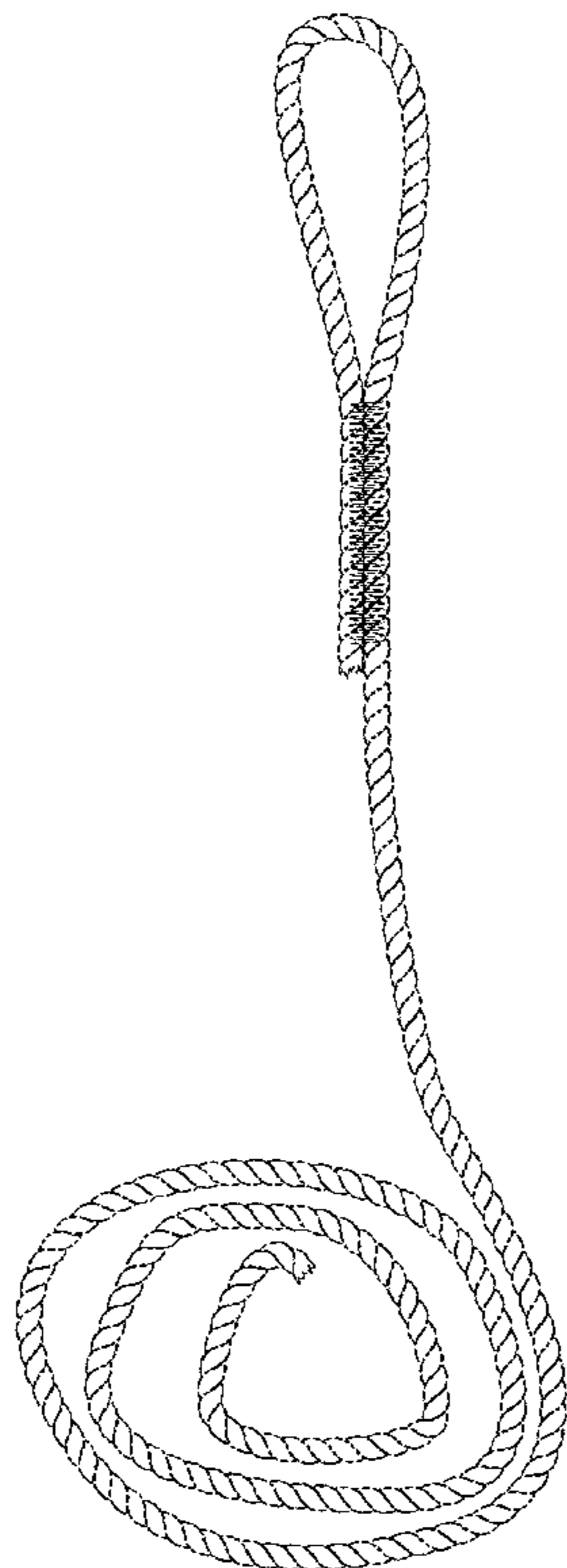
(57) **CLAIM**

The ornamental design for a port wrap eye sling, as shown and described.

DESCRIPTION

FIG. 1 is a perspective view of the port wrap eye sling showing my new design;
FIG. 2 is a perspective and schematic view thereof showing the port wrap eye sling in use;
FIG. 3 is a perspective and partial enlarged view of FIG. 2;
FIG. 4 is a front elevational view thereof;
FIG. 5 is a rear elevational view thereof;
FIG. 6 is a left side elevational view thereof;
FIG. 7 is a right side elevational view thereof;
FIG. 8 is a top plan view thereof; and,
FIG. 9 is a bottom plan view thereof.

1 Claim, 9 Drawing Sheets



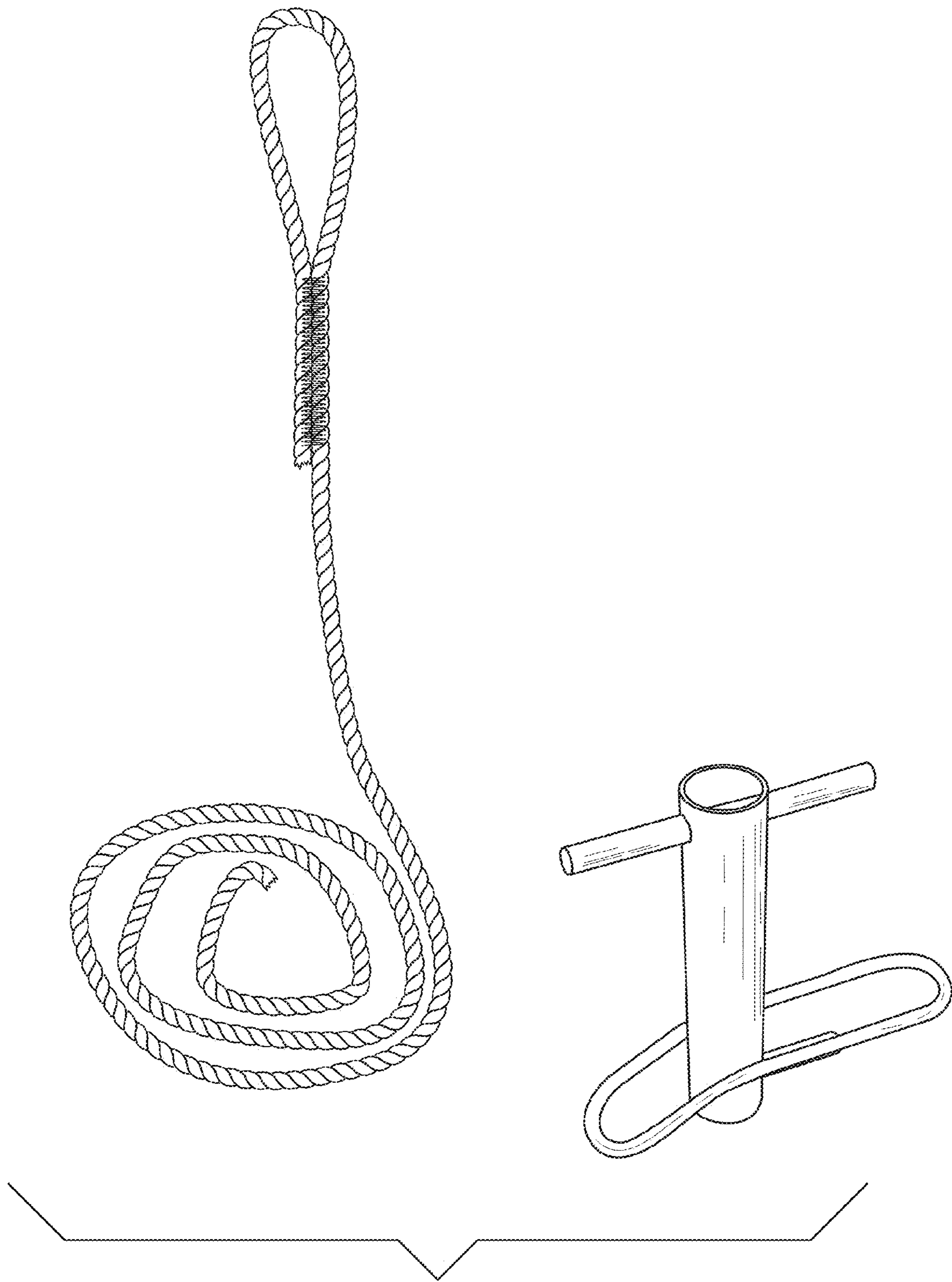


FIG.1

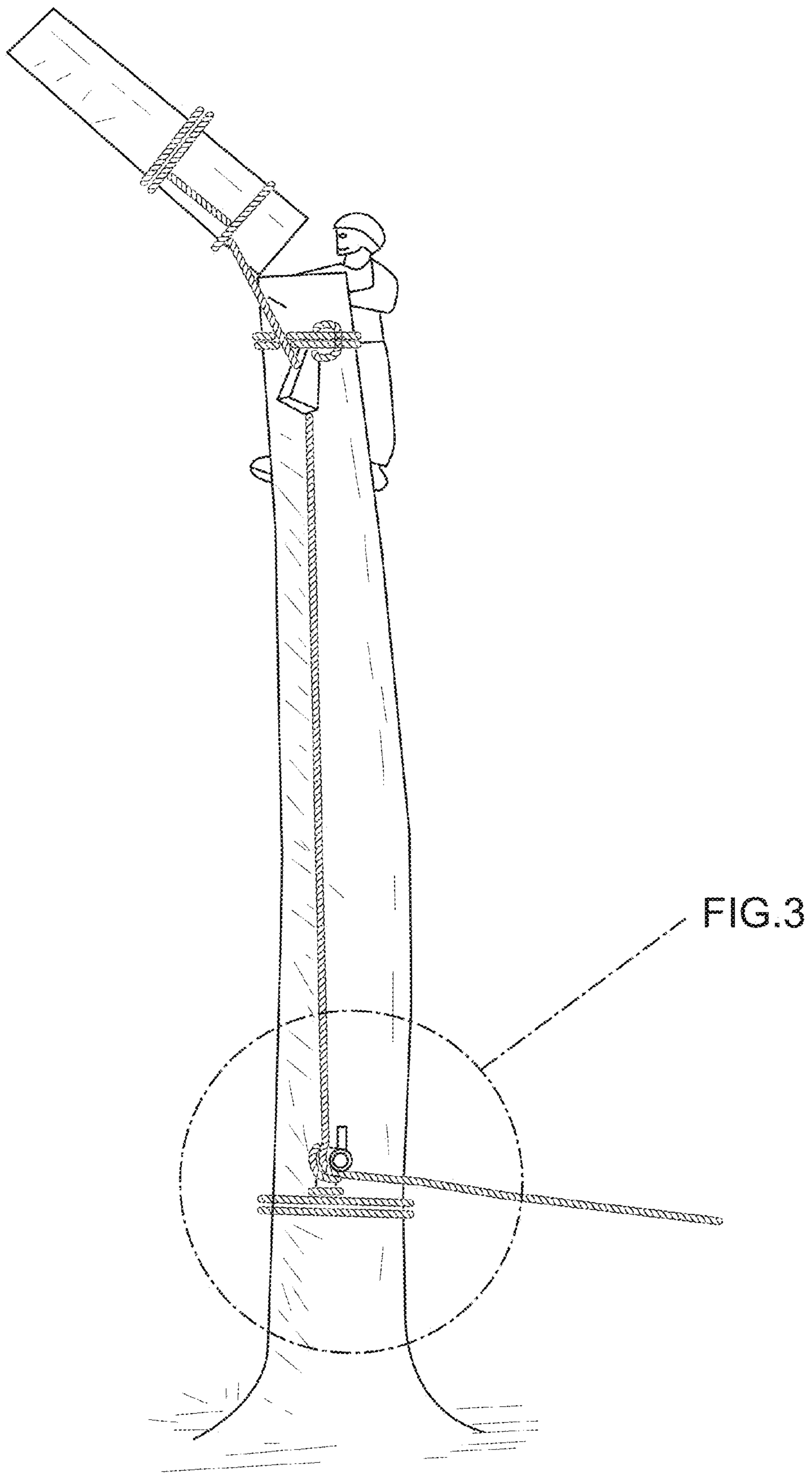


FIG.2

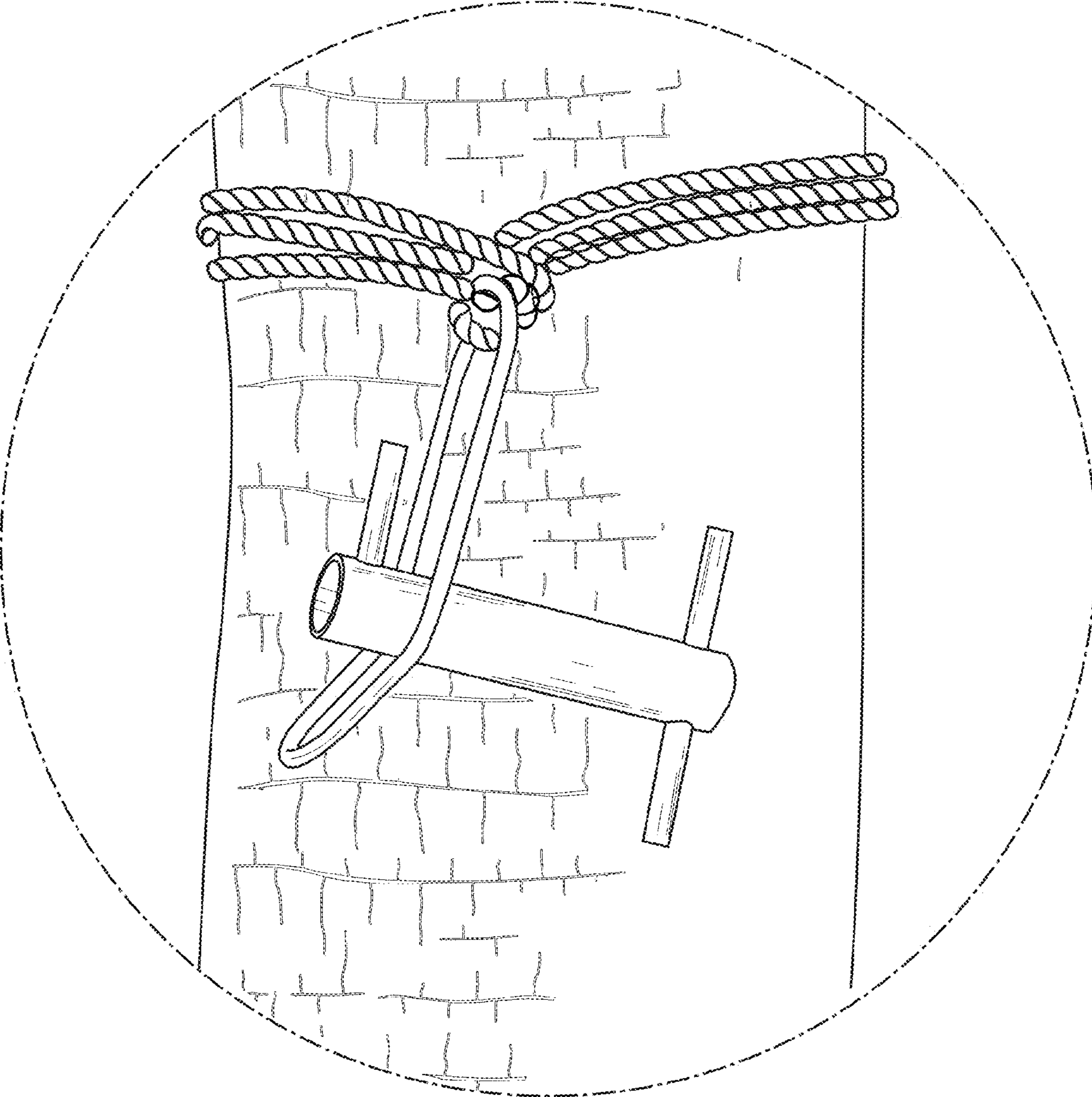


FIG.3

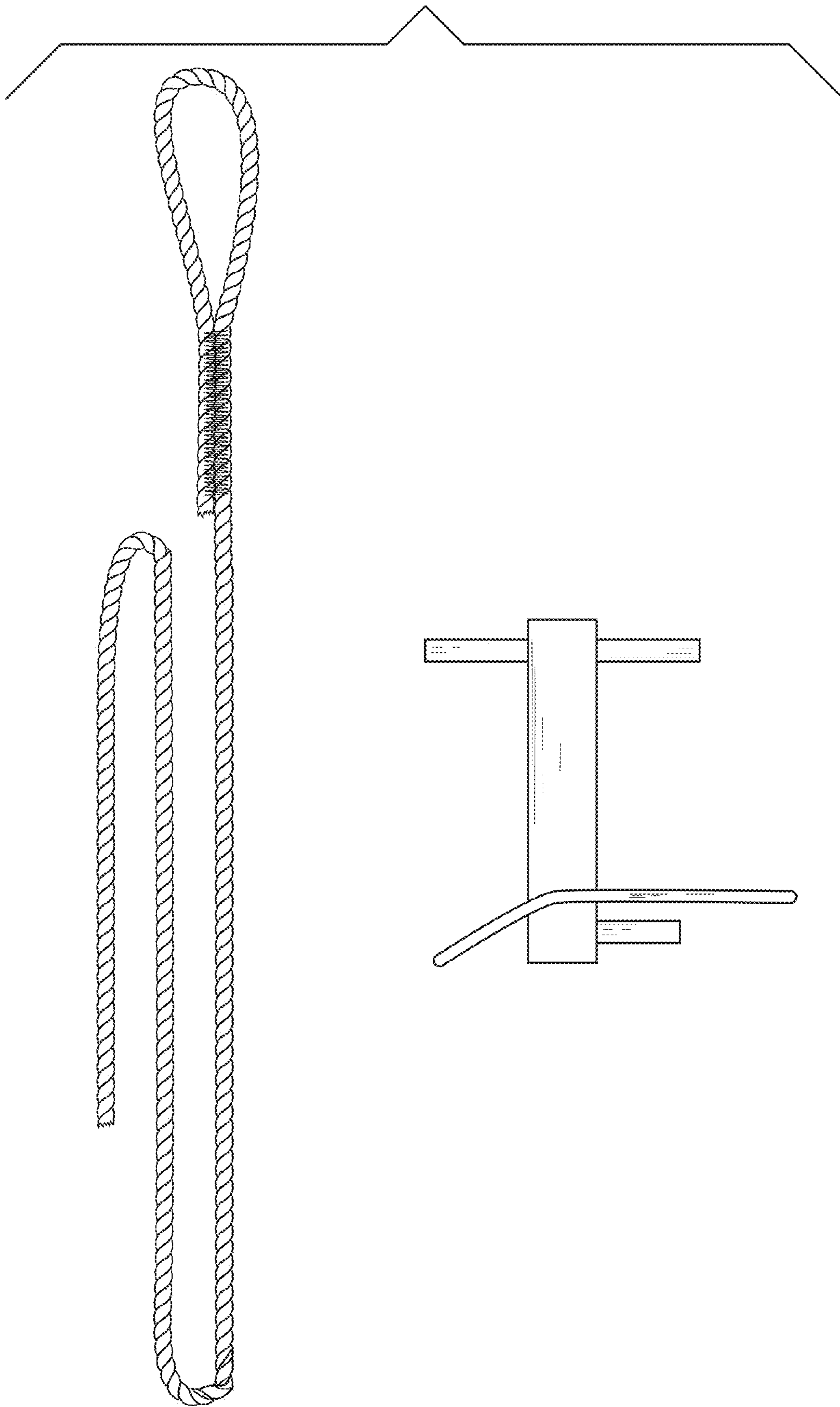


FIG.4

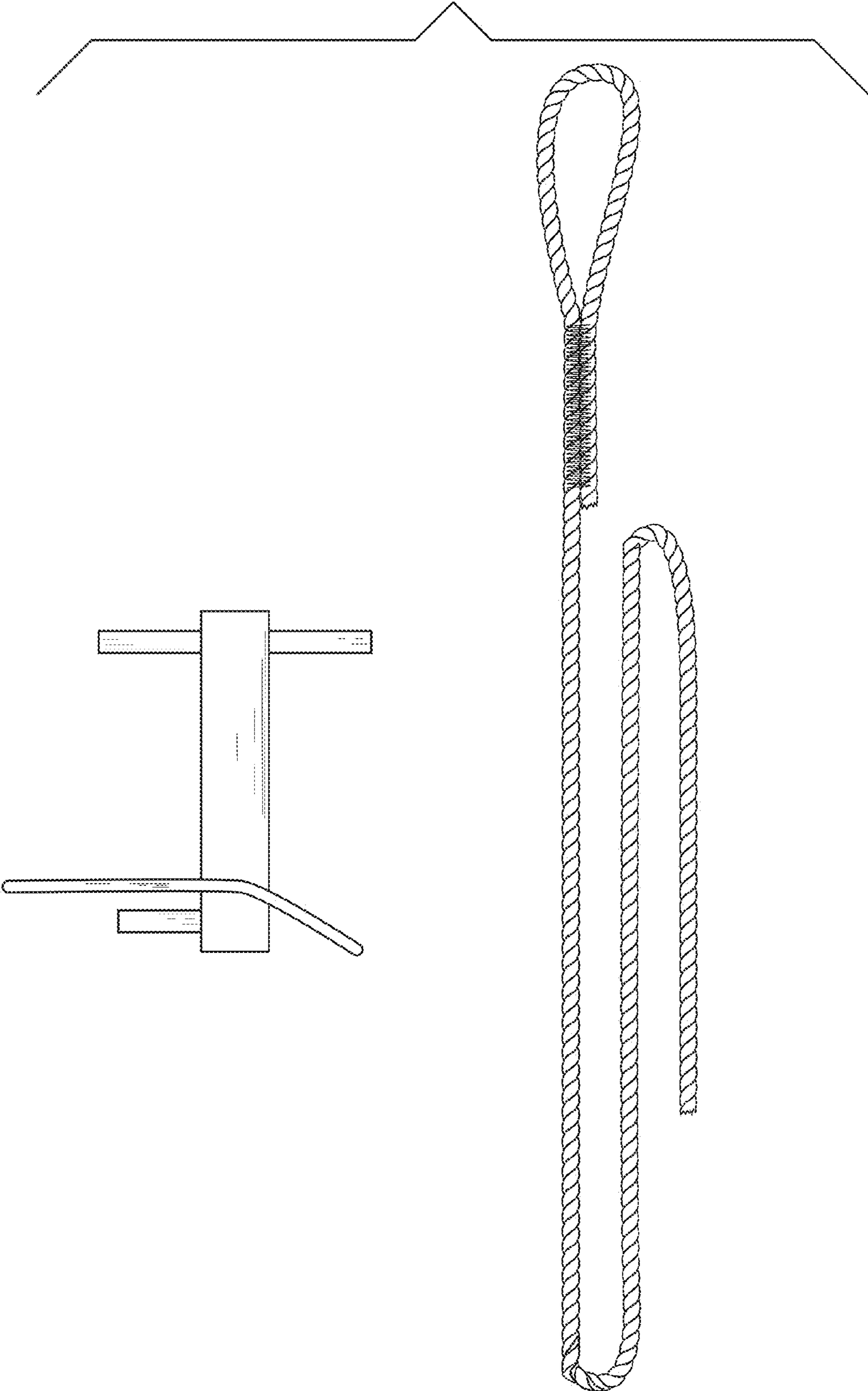


FIG.5

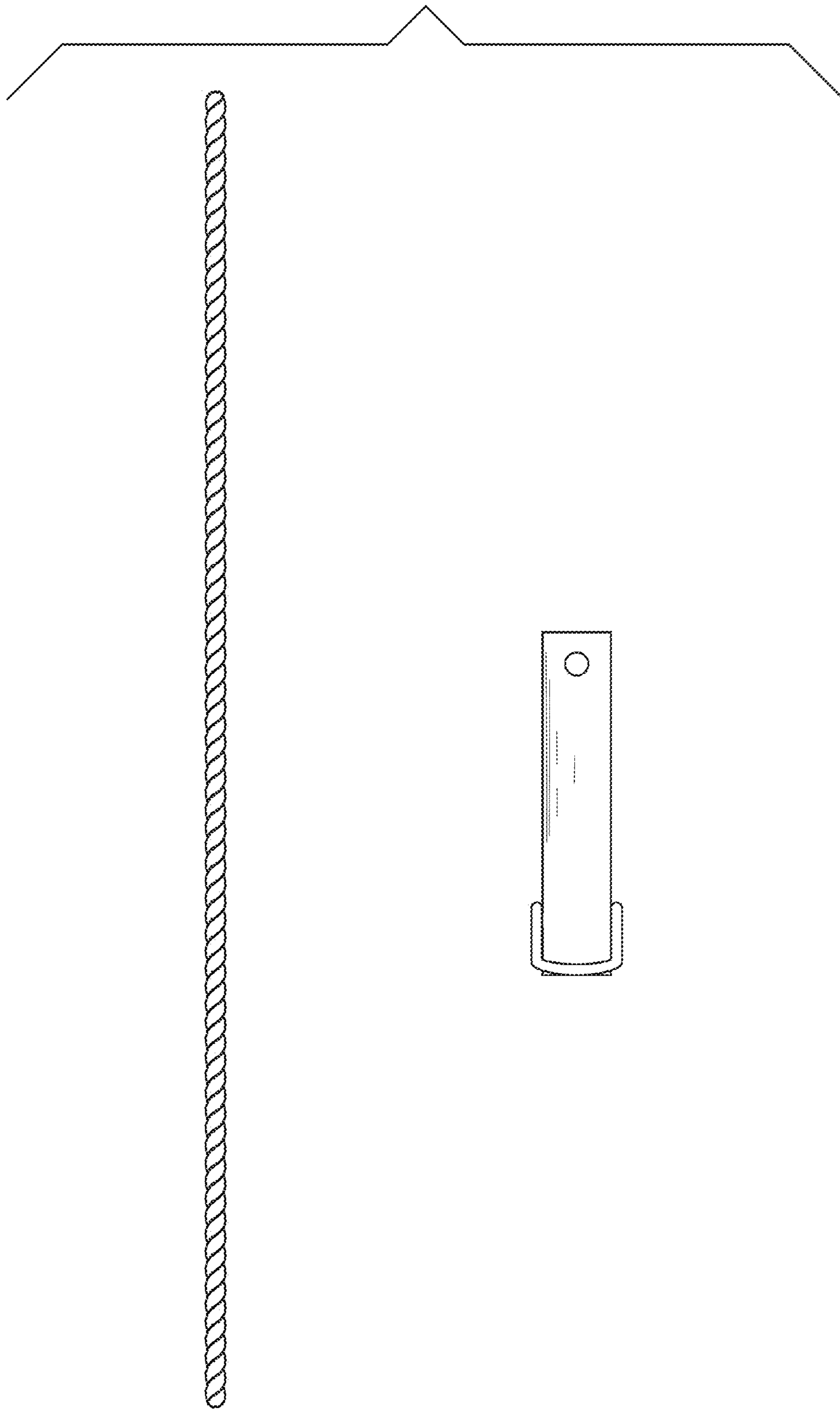


FIG.6

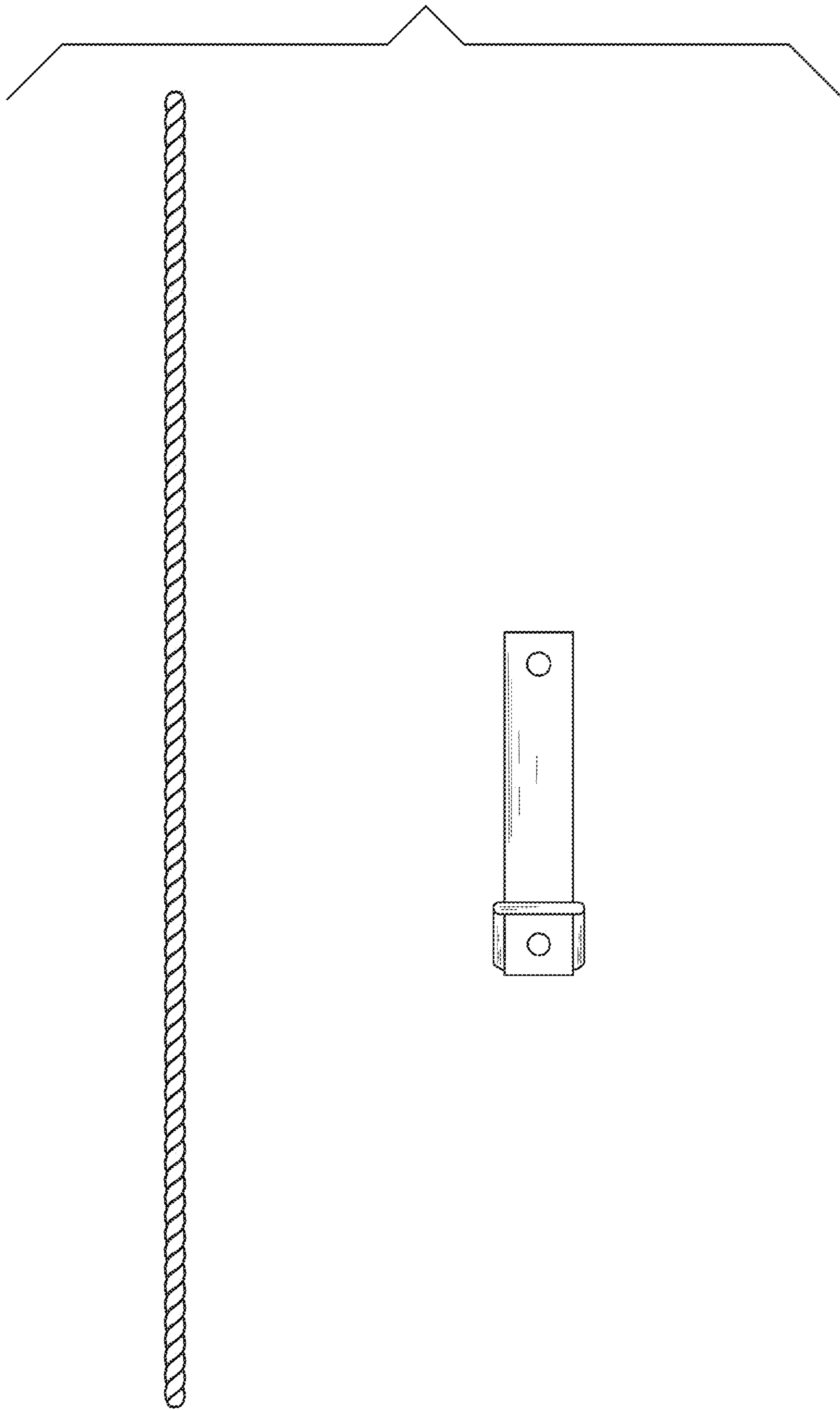


FIG.7

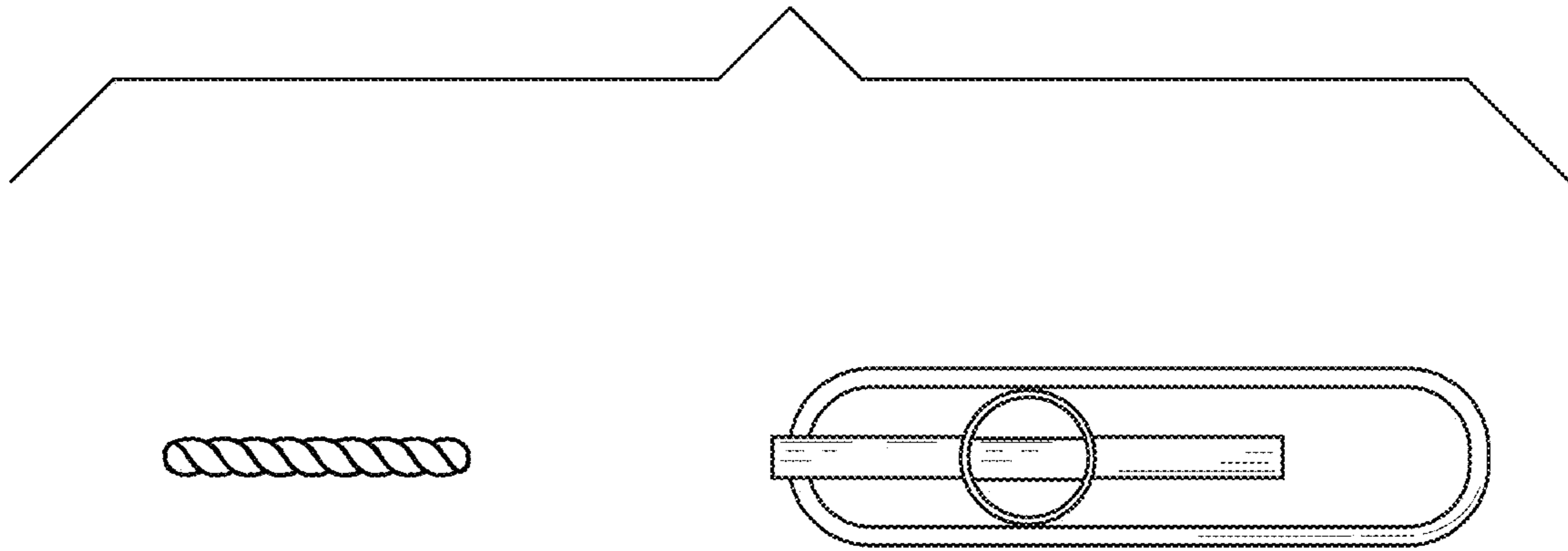


FIG.8

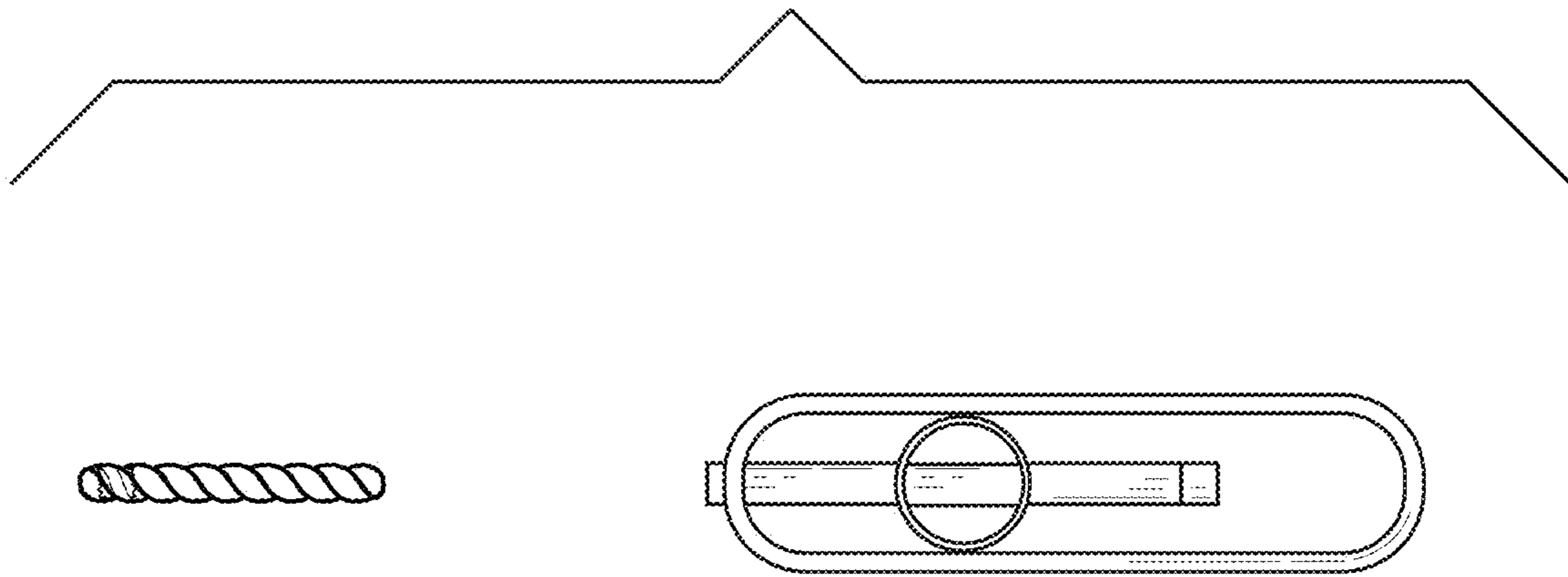


FIG.9