



US00D962143S

(12) **United States Design Patent** (10) **Patent No.:** **US D962,143 S**  
**Koch** (45) **Date of Patent:** **\*\* Aug. 30, 2022**

(54) **WHEEL**  
(71) Applicant: **Wheel Pros, LLC**, Greenwood Village, CO (US)  
(72) Inventor: **David Koch**, Buena Park, CA (US)  
(73) Assignee: **Wheel Pros, LLC**, Greenwood Village, CO (US)  
(\*\*) Term: **15 Years**  
(21) Appl. No.: **29/764,909**  
(22) Filed: **Jan. 4, 2021**  
(51) **LOC (13) Cl.** ..... **12-16**  
(52) **U.S. Cl.**  
USPC ..... **D12/209**  
(58) **Field of Classification Search**  
USPC ..... D12/204–213; D21/563  
CPC .... B60B 7/00; B60B 7/01; B60B 7/02; B60B 7/04; B60B 7/06; B60B 3/02; B60B 3/04; B60B 3/06; B60B 3/10; B60B 1/00; B60B 1/08; B60B 1/10; B60B 1/12  
See application file for complete search history.

D496,317 S 9/2004 Kataoka  
D499,684 S 12/2004 Cheng  
D502,438 S 3/2005 Weld  
D504,859 S 5/2005 Sulahian  
D505,374 S 5/2005 Aleman  
D510,307 S 10/2005 Howes  
D523,797 S 6/2006 Gallert  
D524,212 S 7/2006 Phillips  
D524,220 S 7/2006 Scheu  
D524,315 S 7/2006 Reusing et al.  
D528,495 S 9/2006 Truebsbach  
D542,209 S 5/2007 Pfeiffer  
D549,148 S 8/2007 Buschmann  
D569,777 S 5/2008 Chung  
D577,650 S 9/2008 Chung  
D579,845 S 11/2008 Chung  
D582,831 S 12/2008 Musser

(Continued)

**OTHER PUBLICATIONS**

American Force Wheels AC002 Trail, Published Apr. 20, 2021 [online], [retrieved on Jun. 25, 2022], Retrieved from the Internet: <https://www.wheelpros.com/news/the-all-new-force-form-ac002-trail-from-american-force-wheels> (Year: 2021).\*

*Primary Examiner* — Cary M Robinson  
*Assistant Examiner* — Adam C Mager  
(74) *Attorney, Agent, or Firm* — Eric Hanscom

(56) **References Cited**

**U.S. PATENT DOCUMENTS**

D243,169 S \* 1/1977 Suzuki ..... D12/205  
D291,796 S 9/1987 Reid  
D361,975 S 9/1995 Weld  
D391,216 S 2/1998 Ballmann  
D408,775 S 4/1999 Shikado  
D453,492 S 2/2002 Laengerer  
D455,698 S 4/2002 Chung  
D467,212 S 12/2002 Noriega  
D470,094 S 2/2003 van Hooydonk  
D471,503 S \* 3/2003 Baumgartner ..... D12/211  
D480,036 S 9/2003 Laengerer  
D482,996 S 12/2003 Sulahian  
D492,925 S 7/2004 Fitzgerald

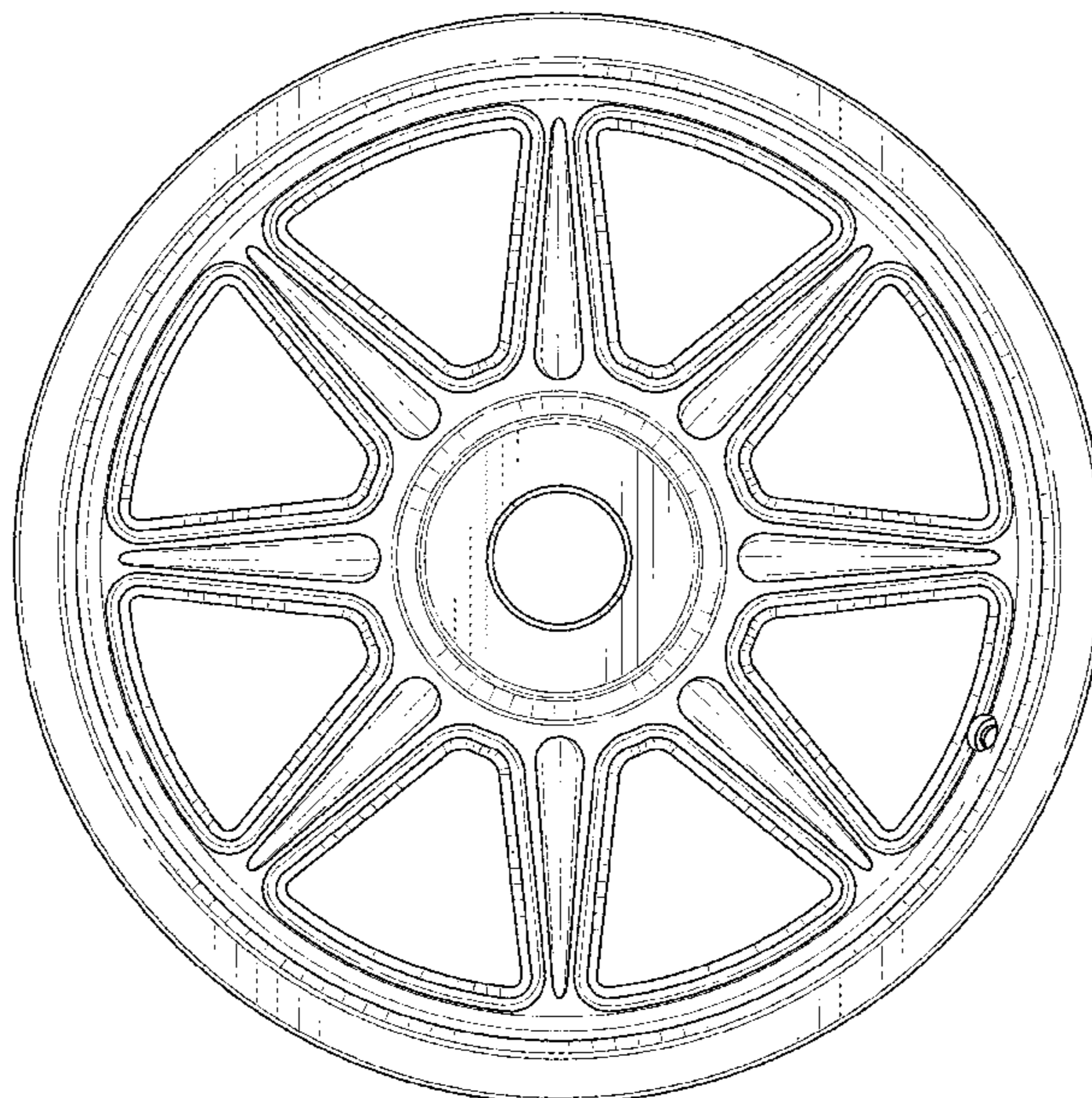
(57) **CLAIM**

The ornamental design for a wheel, as shown and described.

**DESCRIPTION**

FIG. 1 is a perspective view of a wheel showing my new design; and, FIG. 2 is a front view thereof. The broken lines shown in the drawings are included for the purpose of illustrating environmental structure and form no part of the claimed design.

**1 Claim, 2 Drawing Sheets**



(56)

References Cited

U.S. PATENT DOCUMENTS

D596,009 S	7/2009	Sawhney et al.	D805,455 S	12/2017	Kong	
D598,357 S	8/2009	Chung	D807,805 S	1/2018	Caldwell	
D617,723 S	6/2010	Zhao	D808,876 S	1/2018	Caldwell	
D623,109 S	9/2010	Markefka	D817,845 S	5/2018	Guidry	
D635,903 S	4/2011	Zhang	D821,284 S	6/2018	Tran	
D654,007 S	2/2012	Nissl	D824,316 S	7/2018	Tran	
D654,420 S	2/2012	Guay	D826,827 S	8/2018	Tran	
D660,771 S	5/2012	Mueller-Stolz	D833,360 S	11/2018	Kong	
D669,009 S	10/2012	Chung	D835,023 S	12/2018	Tran	
D686,961 S	7/2013	Chung	D838,223 S	1/2019	Chung	
D695,193 S	12/2013	Kong	D840,900 S	2/2019	Licklitter	
D698,298 S	1/2014	Cortes	D840,901 S	2/2019	Licklitter	
D698,300 S	1/2014	Chung	D840,902 S	2/2019	Licklitter	
D702,172 S	4/2014	Chung	D849,655 S	5/2019	Kong	
D704,117 S	5/2014	Chung	D850,349 S	6/2019	Licklitter	
D704,617 S	5/2014	Chung	D852,706 S	7/2019	Tran	
D706,197 S	6/2014	Chung	D860,096 S *	9/2019	Milani	D12/209
D707,167 S	6/2014	Chung	D860,899 S	9/2019	Licklitter	
D709,019 S *	7/2014	Hale, Jr.	D860,900 S	9/2019	Licklitter	
D709,020 S	7/2014	Chung	D860,901 S	9/2019	Licklitter	
D713,316 S	9/2014	Song	D862,341 S	10/2019	Caldwell	
D714,207 S	9/2014	Kim	D883,893 S *	5/2020	Johnson	D12/211
D717,709 S	11/2014	Valencia Pollex	D887,943 S *	6/2020	Han	D12/209
D719,893 S	12/2014	Kim	D887,944 S *	6/2020	Han	D12/209
D722,938 S *	2/2015	Chung	D892,013 S *	8/2020	Han	D12/209
D724,515 S *	3/2015	Chung	D893,386 S	8/2020	Chung	
D726,630 S *	4/2015	Kong	D896,729 S	9/2020	Chung	
D731,946 S	6/2015	Chung	D897,926 S	10/2020	Chung	
D742,293 S	11/2015	Chung	D899,999 S	10/2020	Kong	
D753,046 S	4/2016	Liffick	D904,271 S	12/2020	Henderson	
D756,882 S	5/2016	Tirado	D904,272 S	12/2020	Licklitter	
D766,805 S	9/2016	Chung	D909,272 S	2/2021	Chung	
D769,785 S	10/2016	Wells	D910,525 S	2/2021	Tran	
D780,655 S	3/2017	Trim	D911,245 S	2/2021	Chung	
D798,786 S	10/2017	Chung	D912,589 S	3/2021	Hale, Jr.	
D798,789 S	10/2017	Kong	D912,591 S	3/2021	Tran	
D799,395 S	10/2017	Chung	D918,810 S	5/2021	Licklitter	
D800,633 S	10/2017	Kong	D922,928 S	6/2021	Kong	
D802,512 S	11/2017	Kong	D927,386 S	8/2021	Licklitter	
D805,454 S	12/2017	Kong	D928,061 S *	8/2021	Han	D12/209
			2003/0020322 A1 *	1/2003	Zaniboni	B60B 7/18 301/37.101

\* cited by examiner

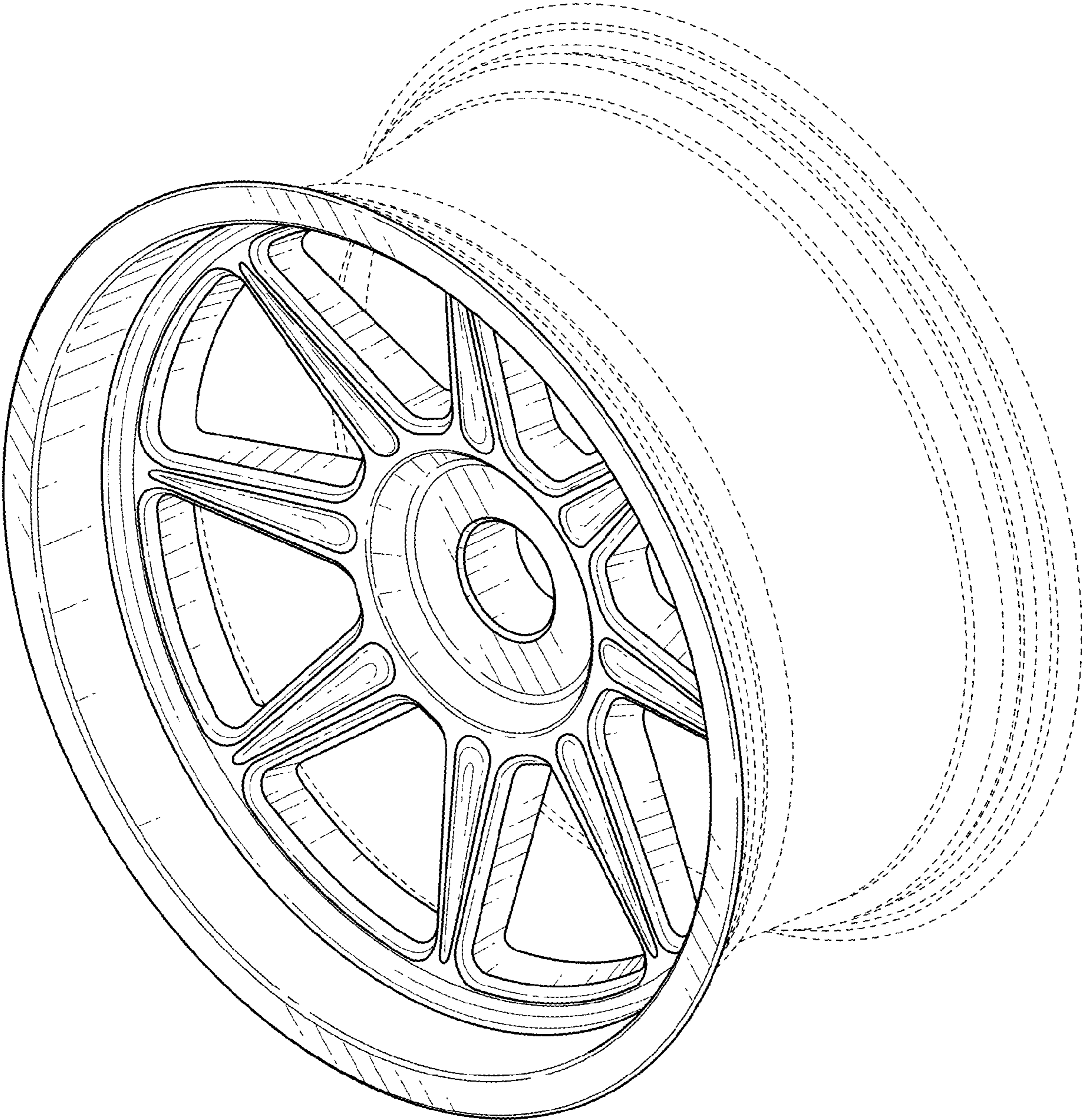


FIG. 1

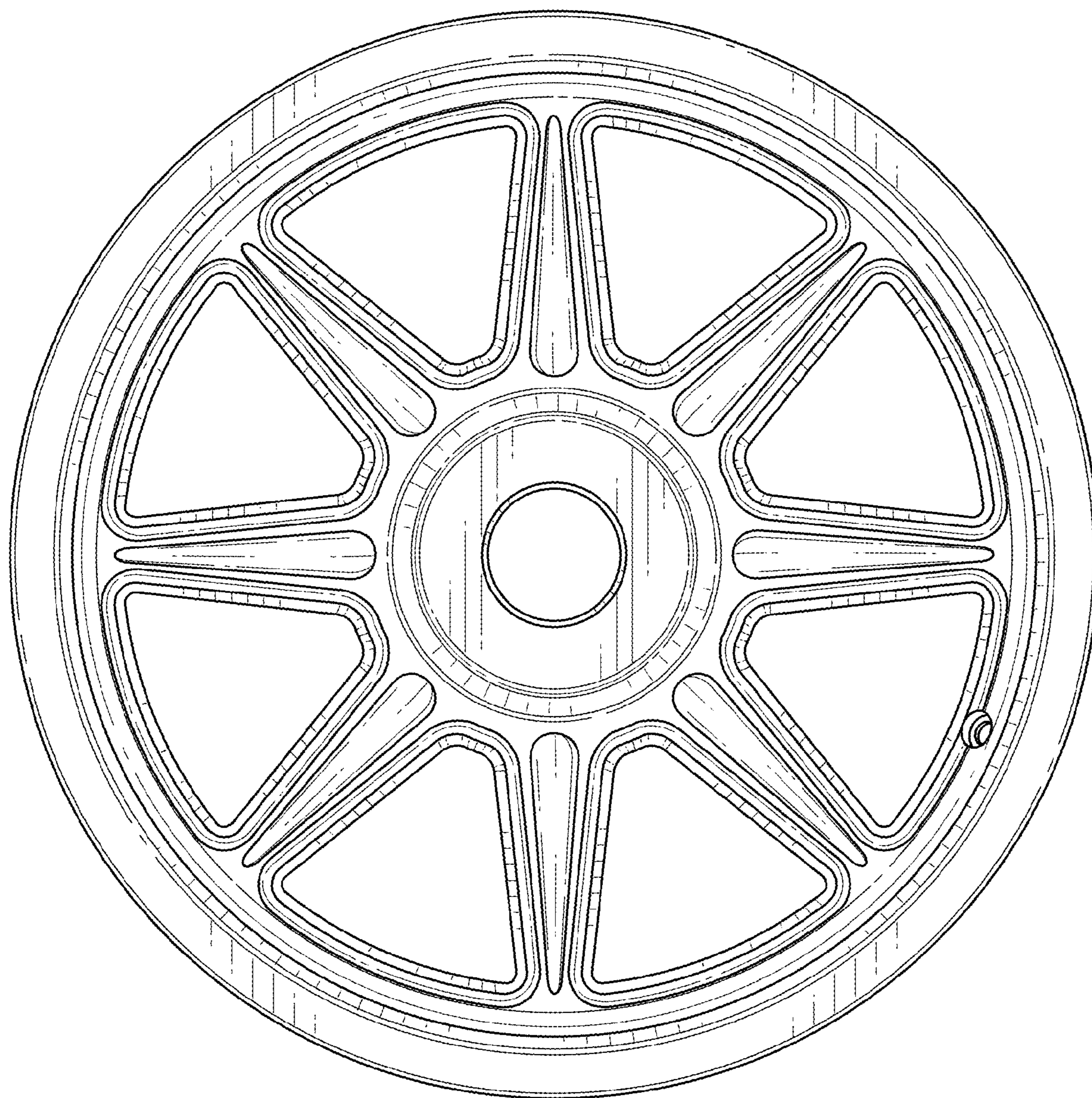


FIG. 2