



US00D962141S

(12) **United States Design Patent** (10) **Patent No.:** **US D962,141 S**
Hipps et al. (45) **Date of Patent:** **** Aug. 30, 2022**

- (54) **VEHICLE DOOR**
- (71) Applicant: **Polaris Industries Inc.**, Medina, MN (US)
- (72) Inventors: **Tristan M. Hipps**, Buffalo, MN (US); **Garth H. Bracy**, Robbinsdale, MN (US); **Ryan P. Black-Macken**, South Pasadena, CA (US); **Michael A. Hritz**, Plymouth, MN (US)
- (73) Assignee: **Polaris Industries Inc.**, Medina, MN (US)

- 3,663,057 A 5/1972 Lohr et al.
- 3,758,159 A 9/1973 Morris
- 4,046,403 A 9/1977 Yoshida
- 4,455,049 A 6/1984 Martin
- 4,650,210 A 3/1987 Hirose et al.
- 4,817,985 A 4/1989 Enokimoto et al.

(Continued)

FOREIGN PATENT DOCUMENTS

- DE 0037435 10/1886
- DE 102009038853 A1 3/2011

(Continued)

OTHER PUBLICATIONS

Door Panels. (Design—© Questel) orbit.com. [Online PDF compilation of references] 53 pgs. Print Dates Range Nov. 25, 2020-Nov. 20, 2019 [Retrieved Mar. 24, 2022].*

(Continued)

- (**) Term: **15 Years**
- (21) Appl. No.: **29/809,628**
- (22) Filed: **Sep. 29, 2021**

Related U.S. Application Data

- (62) Division of application No. 29/699,608, filed on Jul. 26, 2019, now Pat. No. Des. 942,344.
- (51) **LOC (13) Cl.** **12-16**
- (52) **U.S. Cl.**
USPC **D12/196**
- (58) **Field of Classification Search**
USPC D12/1, 85, 86, 88, 89, 90, 91, 92, 93, D12/184, 190, 192, 193, 195, 196, 400, D12/414; D21/533, 548, 553, 561
CPC . B60J 5/04; B60J 5/0412; B60J 5/0416; B60J 5/0425; B60J 5/0437; B60J 5/0441; B60J 5/0447; B60J 5/0463; B60J 5/0469; B60J 5/0476; B60J 5/0486; B60J 5/0487; B62D 25/02; B62D 35/00; B60N 3/00
See application file for complete search history.

Primary Examiner — George D. Kirschbaum
Assistant Examiner — Suzanne E Tisdell
(74) *Attorney, Agent, or Firm* — Faegre Drinker Biddle & Reath LLP

(57) **CLAIM**

We claim the ornamental design for the vehicle door, as shown and described.

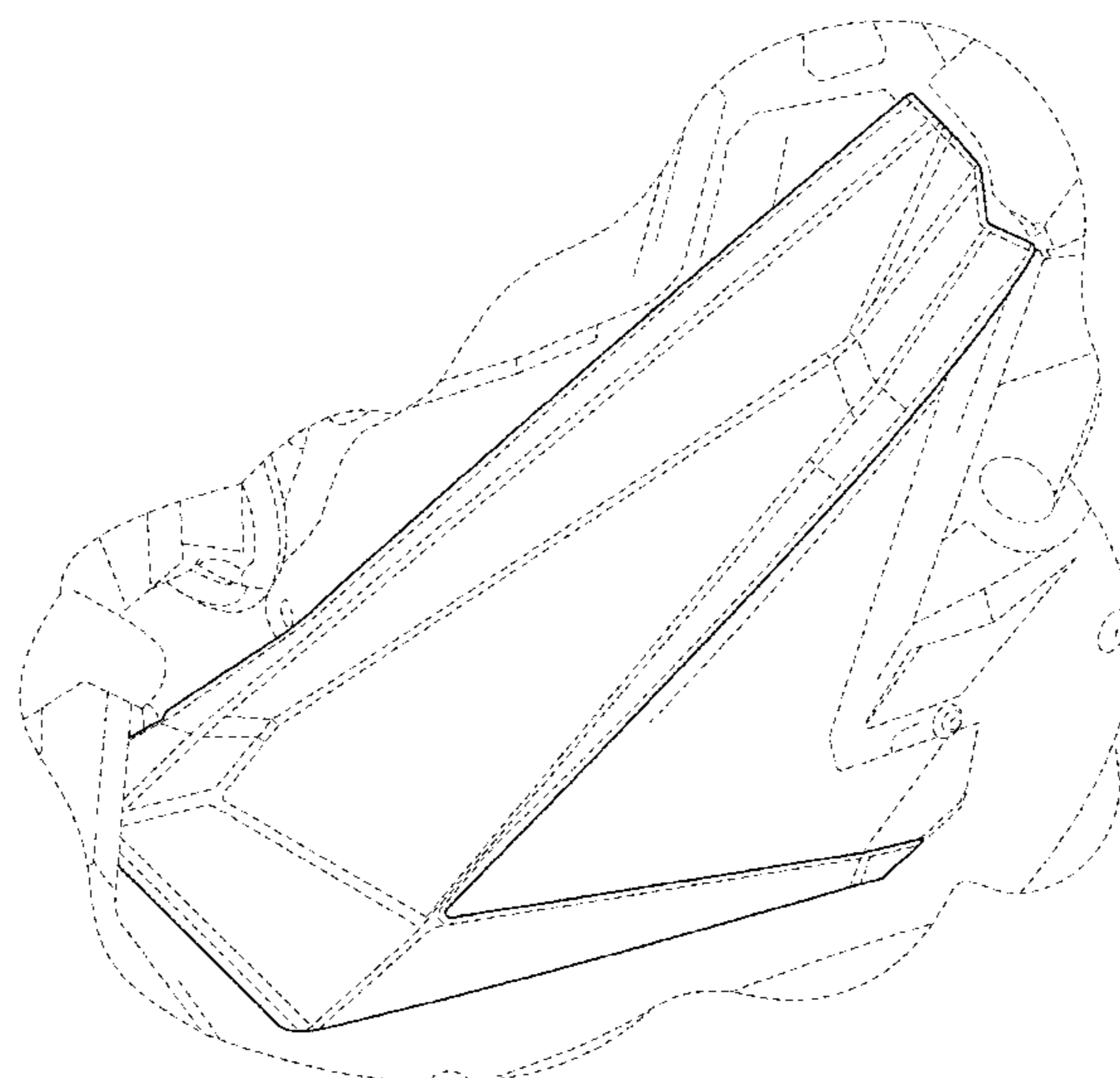
DESCRIPTION

FIG. 1 is a left front perspective view of a portion of a vehicle including a door, showing our new design. The door on the opposite side of the vehicle is a mirror image; FIG. 2 is a left rear perspective view thereof; FIG. 3 is a left side view thereof; and, FIG. 4 is a top view thereof. The portions of the vehicle and the vehicle components shown in broken lines form no part of the claimed design.

1 Claim, 4 Drawing Sheets

(56) **References Cited**
U.S. PATENT DOCUMENTS

- 3,422,918 A 1/1969 Musser et al.
- 3,600,768 A 8/1971 Romanzi et al.



(56)

References Cited

U.S. PATENT DOCUMENTS

5,306,044 A	4/1994	Tucker	8,613,335 B2	12/2013	Deckard et al.
5,327,989 A	7/1994	Furuhashi et al.	8,640,814 B2	2/2014	Deckard et al.
5,738,471 A	4/1998	Zentner et al.	D701,442 S *	3/2014	Otsuka D8/302
5,752,791 A	5/1998	Ehrlich	8,781,705 B1	7/2014	Reisenberger
5,816,650 A	10/1998	Lucas, Jr.	8,827,025 B2	9/2014	Hapka
5,895,063 A	4/1999	Hasshi et al.	8,827,028 B2	9/2014	Sunsdahl et al.
5,964,172 A	10/1999	Ikeda	8,905,435 B2	12/2014	Ripley et al.
5,997,069 A	12/1999	Coffey et al.	8,998,289 B2	4/2015	Peterson et al.
6,086,158 A	7/2000	Zeoli	9,327,587 B2	5/2016	Spindler et al.
6,113,328 A	9/2000	Claucherty	9,393,894 B2	7/2016	Steinmeiz et al.
6,293,588 B1	9/2001	Clune	D762,522 S	8/2016	Kinoshita
6,293,610 B1	9/2001	Howard	9,573,561 B2	2/2017	Muto et al.
6,295,713 B1	10/2001	Hilliard et al.	9,694,650 B1	7/2017	Ohshita et al.
6,309,024 B1	10/2001	Busch	9,718,351 B2	8/2017	Ripley et al.
6,354,663 B1	3/2002	Zhang et al.	9,725,023 B2	8/2017	Miller et al.
6,375,245 B1	4/2002	Seibold et al.	9,776,481 B2	10/2017	Deckard et al.
D467,200 S	12/2002	Luo et al.	9,822,562 B2	11/2017	Borth et al.
6,582,004 B1	6/2003	Hamm	D804,993 S	12/2017	Eck et al.
6,755,269 B1	6/2004	Davis et al.	D805,982 S	12/2017	Ito et al.
D497,324 S	10/2004	Chestnut et al.	D823,208 S *	7/2018	Boyes D12/195
6,868,584 B2	3/2005	Trottier	D829,142 S *	9/2018	Sheffield D12/195
D503,657 S	4/2005	Katoh	D835,545 S	12/2018	Hanten et al.
D504,638 S	5/2005	Tanaka et al.	D851,004 S *	6/2019	Jackson D12/196
D506,961 S	7/2005	Sugimoto	10,369,861 B2	8/2019	Deckard et al.
D511,317 S	11/2005	Tanaka et al.	10,369,869 B2	8/2019	Mazzarelli et al.
7,014,241 B2	3/2006	Toyota et al.	D868,659 S	12/2019	Mikhailov
7,121,371 B2	10/2006	Rondeau et al.	10,583,796 B2	3/2020	Osorio
7,258,192 B2	8/2007	Davis et al.	10,632,823 B1	4/2020	Osorio
7,281,753 B2	10/2007	Curtis et al.	D883,163 S	5/2020	McMath
D555,036 S	11/2007	Eck	D883,164 S *	5/2020	McMath D12/196
D555,058 S	11/2007	Curtis et al.	D889,343 S *	7/2020	Bertin D12/196
D557,191 S	12/2007	Curtis et al.	10,737,596 B2	8/2020	Zou
7,331,418 B2	2/2008	Audet	D895,503 S *	9/2020	Ray D12/195
7,377,570 B2	5/2008	Rondeau et al.	10,780,766 B2	9/2020	Hagedorn et al.
D578,433 S	10/2008	Kawaguchi et al.	D901,350 S	11/2020	Marti Sala
D578,934 S	10/2008	Tanaka et al.	D903,565 S	12/2020	Peplowski
7,431,024 B2	10/2008	Buchwitz et al.	D904,264 S *	12/2020	Ray D12/195
7,506,714 B2	3/2009	Davis et al.	D926,098 S *	7/2021	Wu D12/196
D592,998 S	5/2009	Woodard et al.	D933,559 S *	10/2021	Wraith D12/196
D593,015 S *	5/2009	Medina D12/195	2001/0031185 A1	10/2001	Swensen
D595,613 S	7/2009	Lai et al.	2002/0135175 A1	9/2002	Schroth
7,596,448 B2	9/2009	Suzuki et al.	2003/0151278 A1	8/2003	Bertrand et al.
7,597,385 B2	10/2009	Shibata et al.	2003/0233732 A1	12/2003	Kohlstrand et al.
D604,201 S	11/2009	Kawaguchi et al.	2004/0031640 A1	2/2004	Tweet
D605,555 S	12/2009	Tanaka et al.	2004/0112668 A1	6/2004	Rondeau et al.
D606,900 S	12/2009	Flores	2004/0232684 A1	11/2004	Curl
7,625,048 B2	12/2009	Rouhana et al.	2004/0239088 A1	12/2004	Rondeau et al.
D607,377 S	1/2010	Shimomura et al.	2005/0073187 A1	4/2005	Frank et al.
7,677,646 B2	3/2010	Nakamura	2005/0077098 A1	4/2005	Takayanagi et al.
7,717,495 B2	5/2010	Leonard et al.	2005/0173177 A1	8/2005	Smith et al.
D621,423 S	8/2010	Nakanishi et al.	2005/0247506 A1	11/2005	Rondeau et al.
D622,631 S	8/2010	Lai et al.	2005/0279330 A1	12/2005	Okazaki et al.
7,795,602 B2	9/2010	Leonard et al.	2006/0006696 A1	1/2006	Umemoto et al.
D624,848 S	10/2010	Shimomura	2006/0066122 A1	3/2006	Wiseman
D625,662 S	10/2010	Li	2007/0214818 A1	9/2007	Nakamura
7,819,220 B2	10/2010	Sunsdahl et al.	2007/0257503 A1	11/2007	Ball et al.
7,832,770 B2	11/2010	Bradley et al.	2008/0012380 A1	1/2008	Takahana
D631,395 S	1/2011	Tandrup et al.	2008/0023249 A1	1/2008	Sunsdahl et al.
D631,418 S *	1/2011	Stimel, Jr. D12/195	2008/0084091 A1	4/2008	Nakamura et al.
D631,791 S	2/2011	Sanschagrín	2008/0093883 A1	4/2008	Shibata et al.
D633,006 S	2/2011	Sanschagrín et al.	2008/0231090 A1	9/2008	Takeda et al.
7,913,505 B2	3/2011	Nakamura	2008/0256738 A1	10/2008	Malone
D636,704 S	4/2011	Yoo et al.	2008/0296884 A1	12/2008	Rouhana et al.
D640,598 S	6/2011	Zhang	2009/0184531 A1	7/2009	Yamamura et al.
D641,288 S	7/2011	Sun	2009/0301830 A1	12/2009	Kinsman et al.
D642,493 S	8/2011	Goebert et al.	2010/0084212 A1	4/2010	Smith et al.
7,988,210 B2	8/2011	Shibata et al.	2010/0090797 A1	4/2010	Koenig et al.
D644,584 S *	9/2011	Vardis D12/196	2010/0194086 A1	8/2010	Yamamura et al.
8,052,202 B2	11/2011	Nakamura	2010/0314184 A1	12/2010	Stenberg et al.
8,215,694 B2	7/2012	Smith et al.	2010/0314191 A1	12/2010	Deckard et al.
8,328,235 B2	12/2012	Schneider et al.	2011/0155087 A1	6/2011	Wenger et al.
8,464,824 B1	6/2013	Reisenberger	2011/0297462 A1	12/2011	Grajkowski et al.
8,465,050 B1	6/2013	Spindler et al.	2011/0309118 A1	12/2011	Wada
8,548,710 B1	10/2013	Reisenberger	2012/0031693 A1	2/2012	Deckard et al.
8,596,405 B2	12/2013	Sunsdahl et al.	2012/0223500 A1	9/2012	Kinsman et al.
			2013/0033070 A1	2/2013	Kinsman et al.
			2013/0047400 A1	2/2013	L'Huillier et al.
			2013/0062909 A1	3/2013	Harris et al.
			2013/0199097 A1	8/2013	Spindler et al.

(56)

References Cited

U.S. PATENT DOCUMENTS

2013/0319785 A1 12/2013 Spindler et al.
 2014/0103627 A1 4/2014 Deckard et al.
 2014/0353956 A1 12/2014 Bjerketvedt et al.
 2015/0014974 A1 1/2015 Cotnoir et al.
 2015/0175114 A1 6/2015 Schroeder et al.
 2015/0259011 A1 9/2015 Deckard et al.
 2016/0032625 A1 2/2016 Suzuki
 2018/0065465 A1 3/2018 Ward et al.
 2018/0147966 A1 5/2018 Reed et al.
 2019/0210484 A1 7/2019 Deckard et al.
 2019/0210668 A1 7/2019 Endrizzi et al.
 2019/0263294 A1 8/2019 Nishiguchi et al.

FOREIGN PATENT DOCUMENTS

EP 1493624 A1 1/2005
 EP 1878645 A1 1/2008
 EP 2057060 A2 5/2009
 FR 2914597 A1 10/2008
 GB 2036659 A 7/1980
 JP 07-040783 A 2/1995
 JP 2001-130304 A 5/2001
 JP 2003-237530 A 8/2003
 JP 2010-095106 A 4/2010
 JP 6325977 B2 5/2018
 WO 2008/016377 A2 2/2008
 WO 2019/140026 A1 7/2019

OTHER PUBLICATIONS

Polaris RZR XP Turbo Left Door Cover Panel. 2020. eBay. https://www.ebay.com/itm/164479442712?chn=ps&_trkparms=ispr%3D1&amdata=enc%3A1xAal_WWhQFSAmOHJdAXnnQ50&norover=1&mkevt=1&mkrid=711-117182-37290-0&mkcid=2&itemid=164479442712&targetid=1599090336377&device=c&mktype=&googleloc=9059726&poi=&campaign=20.*

Lower Door Panels. 2015. ATV Illustrated, <http://atvillustrated.com/content/201415-rzr-xp1k-and-2015-rzr-900-lower-door-panels>.*

RZR 900 Lower Door Panels. 2020. Extreme Metal Products, <https://extrememetalproducts.com/i-21261863-rzr-xp1k-rzr-1000-s-and-rzr-900-lower-door-panels-aluminum.html>.*

Arctic Cat, Company Website, Prowler XT650 H1, undated; 9 pages.

BRP Can-Am Commander photo, undated; 1 page.

Buyer's Guide Supplement, 2006 Kart Guide, Powersports Business Magazine; 6 pages.

Club Car, Company Website, product pages for XRT 1500 SE, undated; 2 pages.

Honda Hippo 1800 New Competition for Yamaha's Rhino, Dirt Wheels Magazine, Apr. 2006, pp. 91-92.

International Search Report and Written Opinion issued by the International Searching Authority, dated Jun. 15, 2009, for International Patent Application No. PCT/US2009/000677; 23 pages.

International Preliminary Report and Patentability issued by the European Patent Office, dated Apr. 14, 2015, for International Patent Application No. PCT/US2013/064516; 18 pages.

International Preliminary Report on Patentability issued by the European Patent Office, dated Mar. 8, 2013, for International Patent Application No. PCT/US2012/024664; 24 pages.

International Preliminary Report on Patentability issued by the European Patent Office, dated Nov. 4, 2014, for International Patent Application No. PCT/US2013/039304; 7 pages.

International Search Report and Written Opinion issued by the European Patent Office, dated Jan. 14, 2014, for International Patent Application No. PCT/US2013/064516; 23 pages.

International Search Report and Written Opinion issued by the European Patent Office, dated Jul. 23, 2013, for International Patent Application No. PCT/US2013/039304; 11 pages.

International Search Report and Written Opinion issued by the European Patent Office, dated Jun. 28, 2012, for International Patent Application No. PCT/US2012/024664; 19 pages.

Kawasaki Mule The Off-Road Capable 610 4x4 XC Brochure 2011, copyright 2010; 6 pages.

Kawasaki Mule Utility Vehicle Brochure 2009, copyright 2008; 10 pages.

Kawasaki Teryx 750 FI 4x4 Sport Brochure 2011, copyright 2010; 6 pages.

Kawasaki Teryx Recreation Utility Vehicle Brochure 2009, copyright 2008; 8 pages.

New for 2004, Yamaha Rhino 660 4x4, ATV Connection Magazine, copyright 2006; 3 pages.

Patent Examination Report issued by the Australian Government IP Australia, dated Apr. 7, 2016, for Australian Patent Application No. 2013329090; 3 pages.

Polaris Ranger Brochure 2009, copyright 2008; 32 pages.

Polaris Ranger Brochure ATVs and Side x Side Brochure 2010, copyright 2009; 26 pages.

Polaris Ranger Off-Road Utility Vehicles Brochure 2004, copyright 2003; 20 pages.

Polaris Ranger RZR Brochure 2011, copyright 2010; 16 pages.

Polaris Ranger Welcome to Ranger Country Brochure 2006, copyright 2005; 24 pages.

Polaris Ranger Work/Play Only Brochure 2008, copyright 2007; 28 pages.

Yamaha, Company Website, 2006 Rhino 450 Auto 4x4, copyright 2005; 3 pages.

Yamaha, Company Website, 2006 Rhino 660 Auto 4x4 Special Edition, copyright 2006; 4 pages.

* cited by examiner

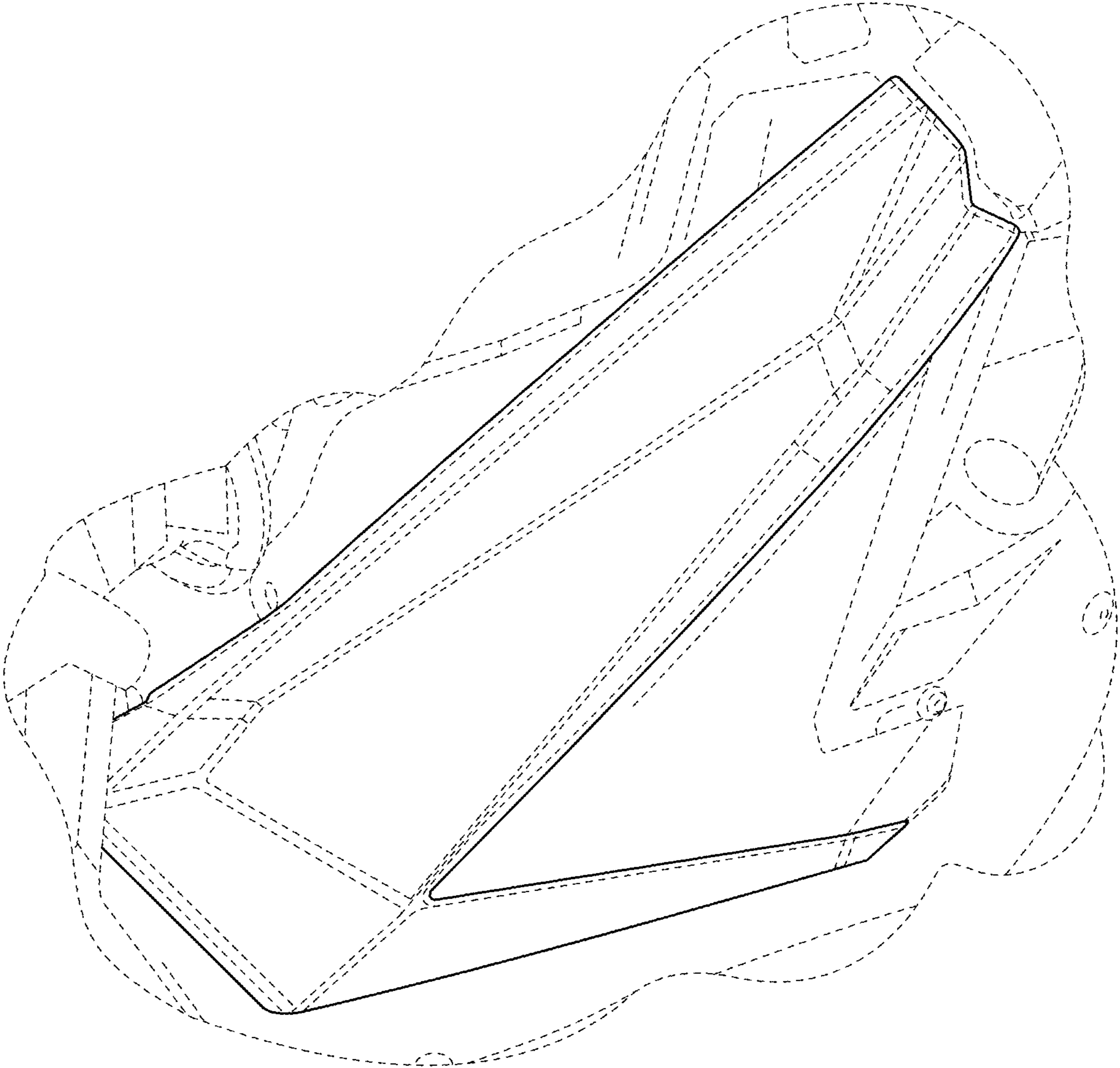


FIG. 1

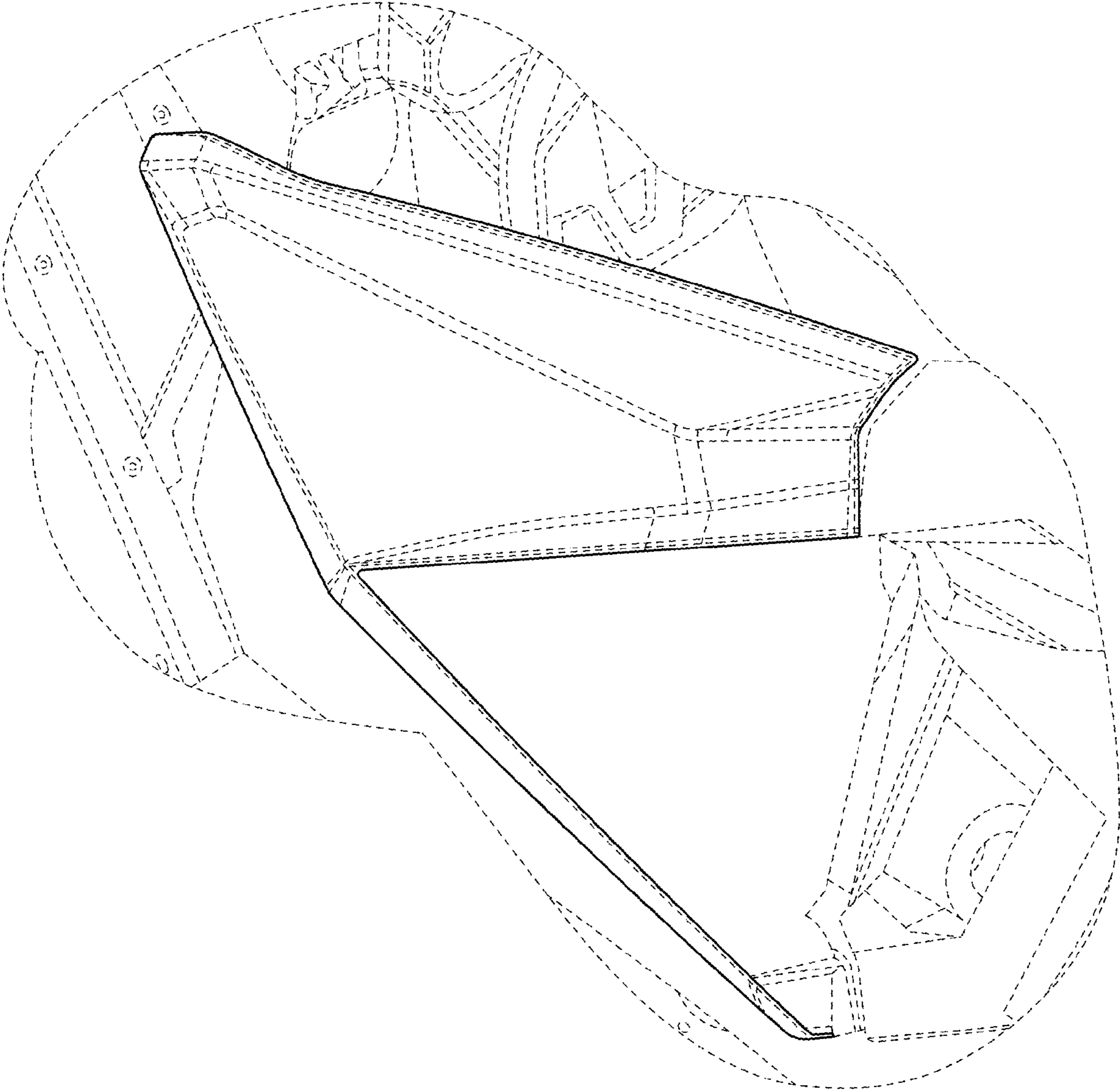


FIG. 2

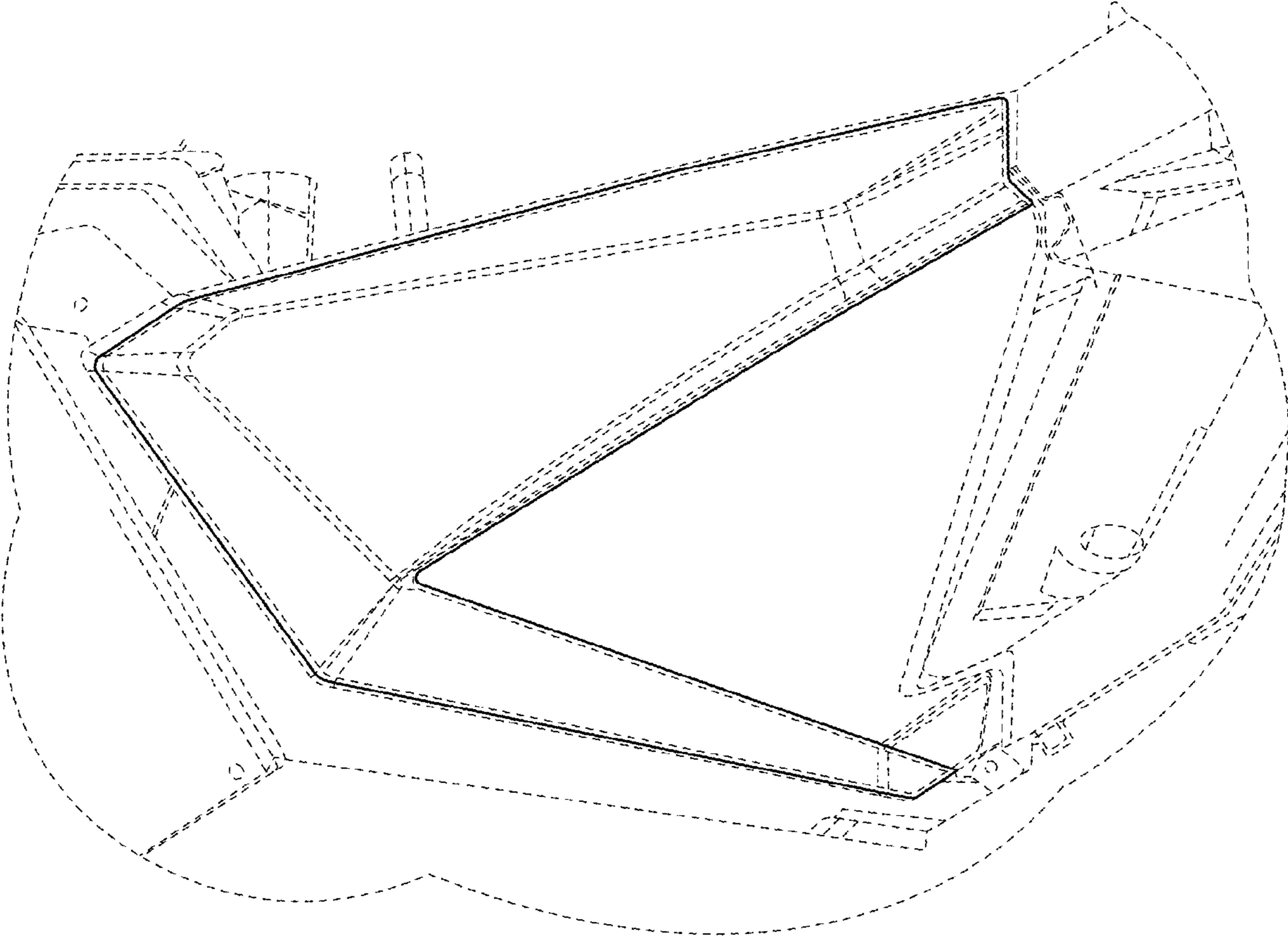


FIG. 3

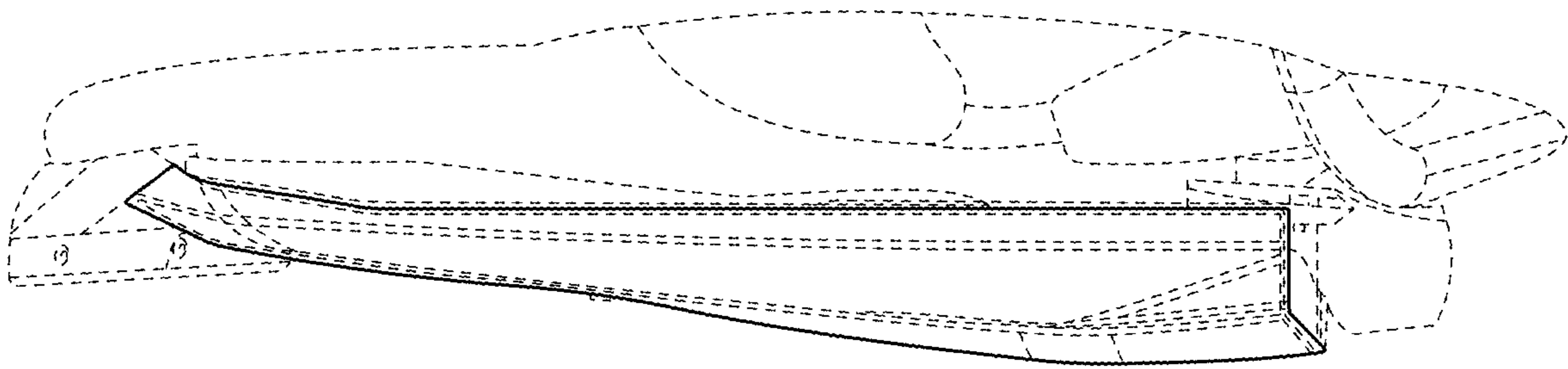


FIG. 4