



US00D962139S

(12) **United States Design Patent**
Wu

(10) **Patent No.:** **US D962,139 S**

(45) **Date of Patent:** **** Aug. 30, 2022**

(54) **AUTOMOTIVE INSTRUMENT PANEL**

(71) Applicant: **Advanced Development Depot, Inc.**,
Rancho Cucamonga, CA (US)

(72) Inventor: **Chuan-Hsing Wu**, Rancho Cucamonga,
CA (US)

(**) Term: **15 Years**

(21) Appl. No.: **29/678,525**

(22) Filed: **Jan. 29, 2019**

(51) **LOC (13) Cl.** **12-16**

(52) **U.S. Cl.**
USPC **D12/192**

(58) **Field of Classification Search**
USPC D12/192, 415, 114, 345; D15/17, 28;
D10/46, 98, 102-103, 122-127; D23/324
CPC B60H 1/34; B60H 1/3407; B60H 1/3414;
B60H 1/3421; B60H 1/3428; B60H
1/3435; B60H 1/3442; B60H 1/345;
B60H 1/3457; B60H 2001/3464; B60H
2001/3471; B60H 2001/3478; B60H
2001/3485

See application file for complete search history.

(56) **References Cited**

U.S. PATENT DOCUMENTS

D848,918 S * 5/2019 Hisada D12/192
D871,285 S * 12/2019 Witt D12/192

D895,499 S * 9/2020 Park D12/192
D905,607 S * 12/2020 Ahn D12/192
D906,208 S * 12/2020 Ahn D12/192
D915,254 S * 4/2021 Bray D12/192
D915,257 S * 4/2021 Dellemann D12/192
D915,963 S * 4/2021 Park D12/192
D915,965 S * 4/2021 Ahn D12/192
D915,966 S * 4/2021 Ahn D12/192
D921,548 S * 6/2021 Franganillo D12/192
D922,283 S * 6/2021 Park D12/192
D933,556 S * 10/2021 Witham D12/192

* cited by examiner

Primary Examiner — Katrina A Betton

(74) *Attorney, Agent, or Firm* — Tsz Lung Yeung

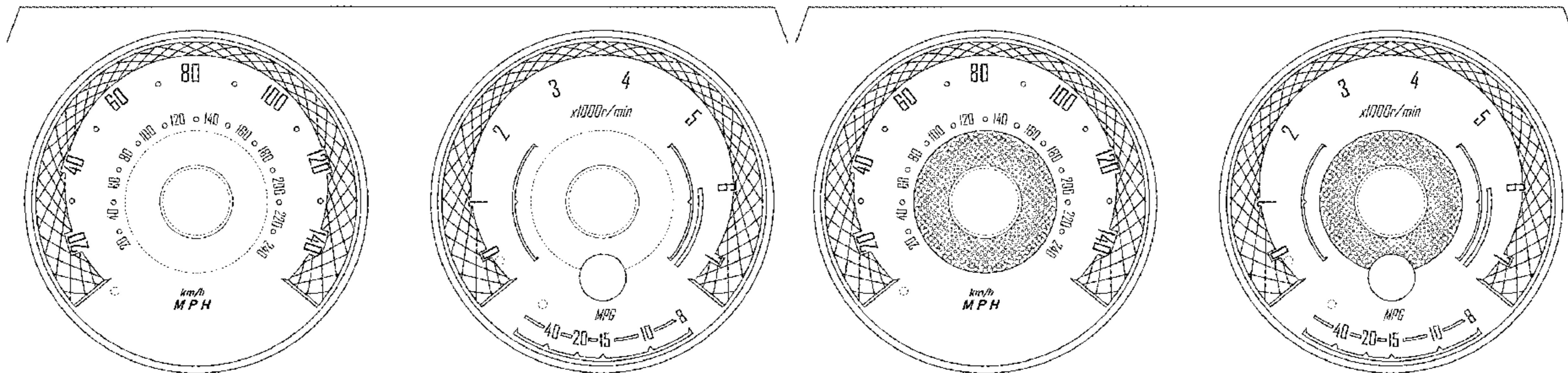
(57) **CLAIM**

The ornamental design for an automotive instrument panel,
as shown and described.

DESCRIPTION

FIG. 1 is a front view of an automotive instrument panel
showing a first embodiment of my new design; and,
FIG. 2 is front view of an automotive instrument panel
showing a second embodiment of my new design.
The broken lines in the drawings represent portions of the
automotive instrument panel that forms no part of the
claimed design.

1 Claim, 2 Drawing Sheets



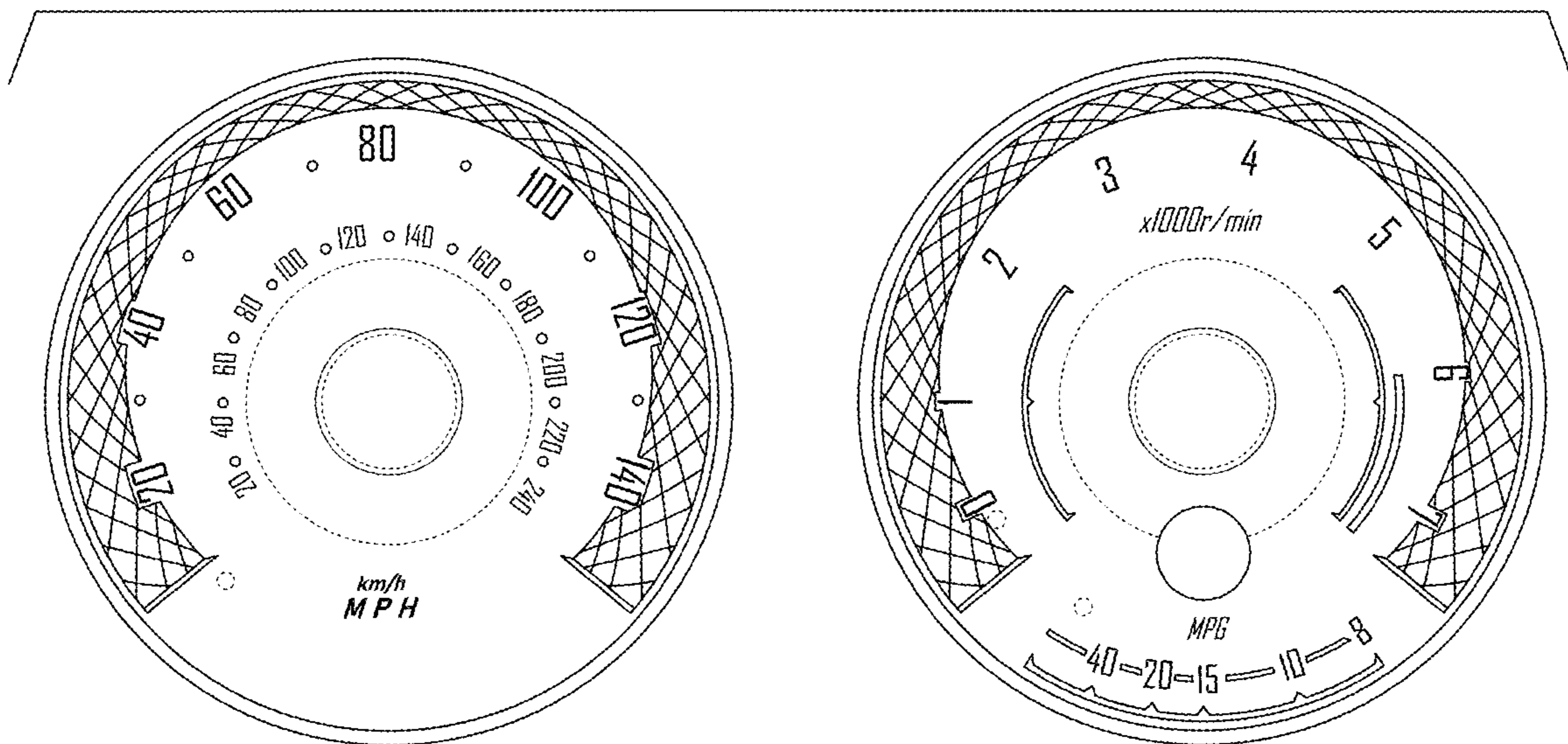


FIG.1

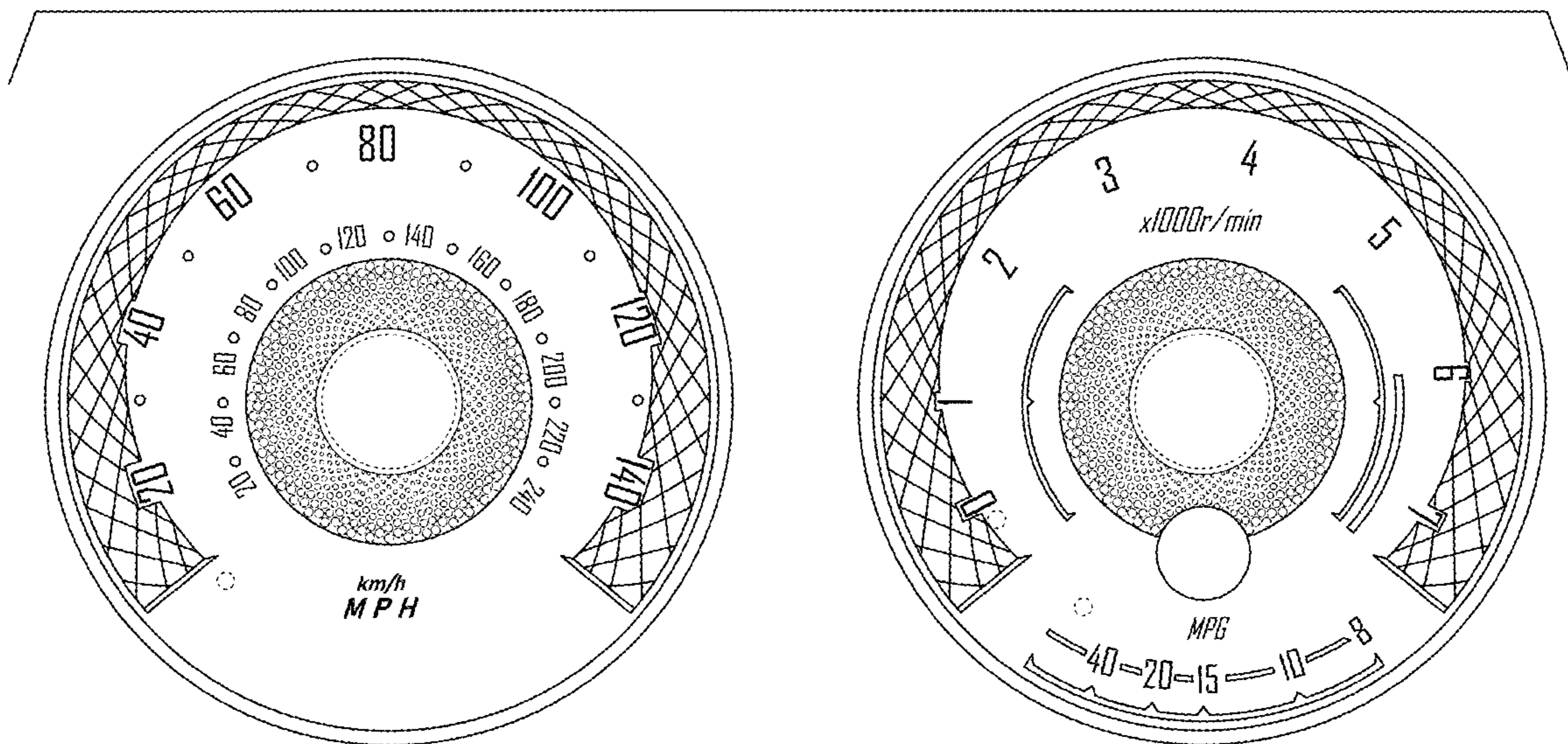


FIG.2