

US00D962137S

(12) **United States Design Patent** (10) **Patent No.:** **US D962,137 S**  
**Alexander et al.** (45) **Date of Patent:** **\*\* Aug. 30, 2022**

(54) **EXTERIOR VEHICLE DISPLAY**  
(71) Applicant: **Direct Current Capital LLC**,  
Wilmington, DE (US)  
(72) Inventors: **Chip J. Alexander**, Mountain View,  
CA (US); **Scott Rossi**, Mountain View,  
CA (US)  
(73) Assignee: **Direct Current Capital LLC**,  
Wilmington, DE (US)

D631,800 S \* 2/2011 Peltola ..... D12/163  
D743,861 S \* 11/2015 Hodges ..... D12/181  
D830,261 S \* 10/2018 Jacob ..... D12/190  
D837,113 S \* 1/2019 Kaplan ..... D12/190  
D837,114 S \* 1/2019 Schroeder ..... D12/190  
D848,331 S \* 5/2019 Nurnberger ..... D12/190  
D873,189 S \* 1/2020 Battams ..... D12/190  
D883,179 S \* 5/2020 Cook ..... D12/400  
D899,332 S \* 10/2020 Fish, Jr. .... D12/190  
D939,413 S \* 12/2021 Johansson ..... D12/190  
D944,168 S \* 2/2022 Dubs ..... D12/190

\* cited by examiner

(\*\*) Term: **15 Years**

*Primary Examiner* — Katrina A Betton  
(74) *Attorney, Agent, or Firm* — Sterne, Kessler,  
Goldstein & Fox P.L.L.C.

(21) Appl. No.: **29/680,324**

(22) Filed: **Feb. 14, 2019**

(51) **LOC (13) Cl.** ..... **12-16**

(52) **U.S. Cl.**  
USPC ..... **D12/190**

(58) **Field of Classification Search**  
USPC ... D12/190, 181, 192, 400, 90–92, 196–200,  
D12/171, 172, 163, 110, 114  
CPC ..... B60S 9/205; B60R 13/005; B60R 13/02  
See application file for complete search history.

(57) **CLAIM**

The ornamental design for an exterior vehicle display, as shown and described.

(56) **References Cited**

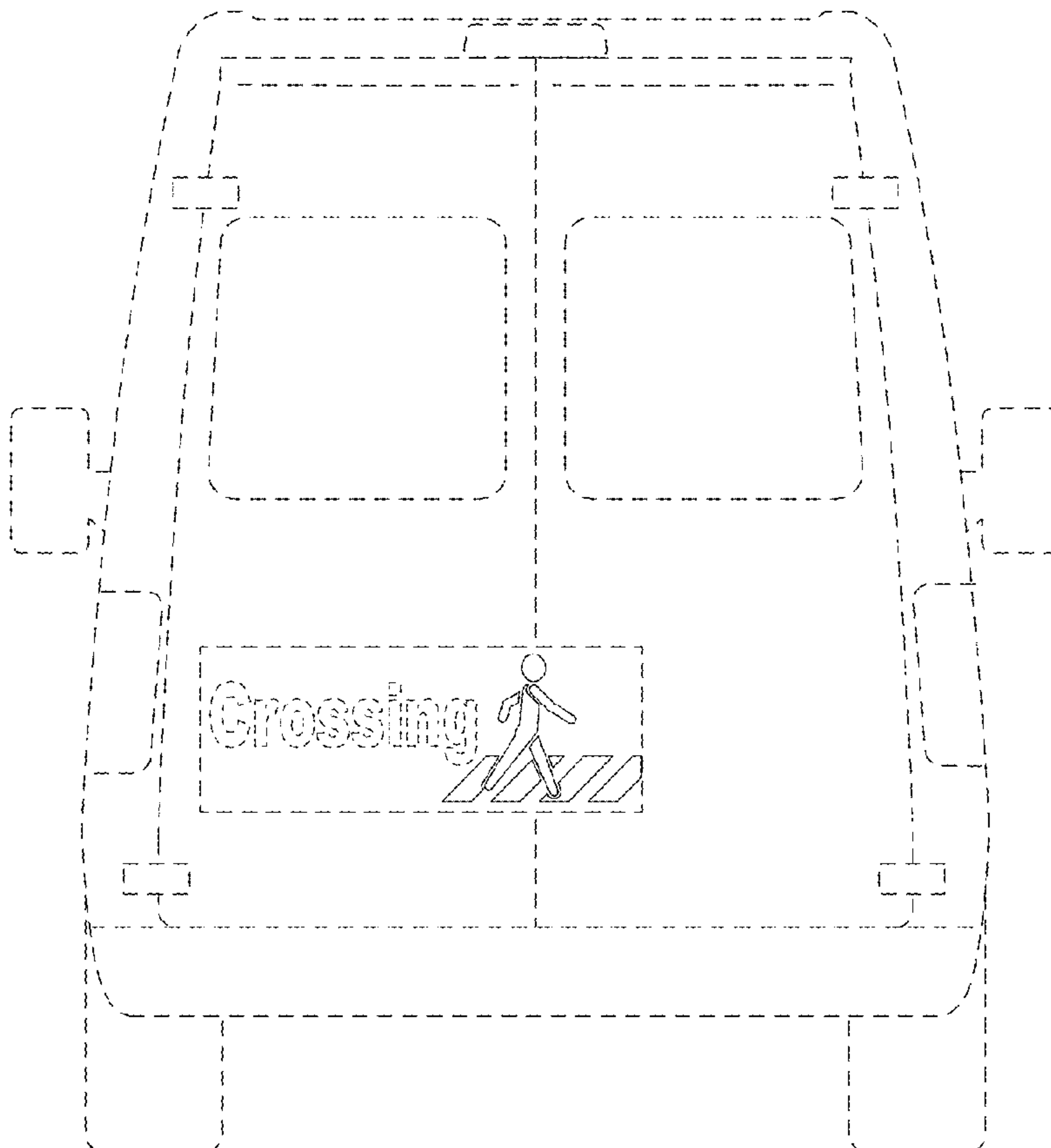
**U.S. PATENT DOCUMENTS**

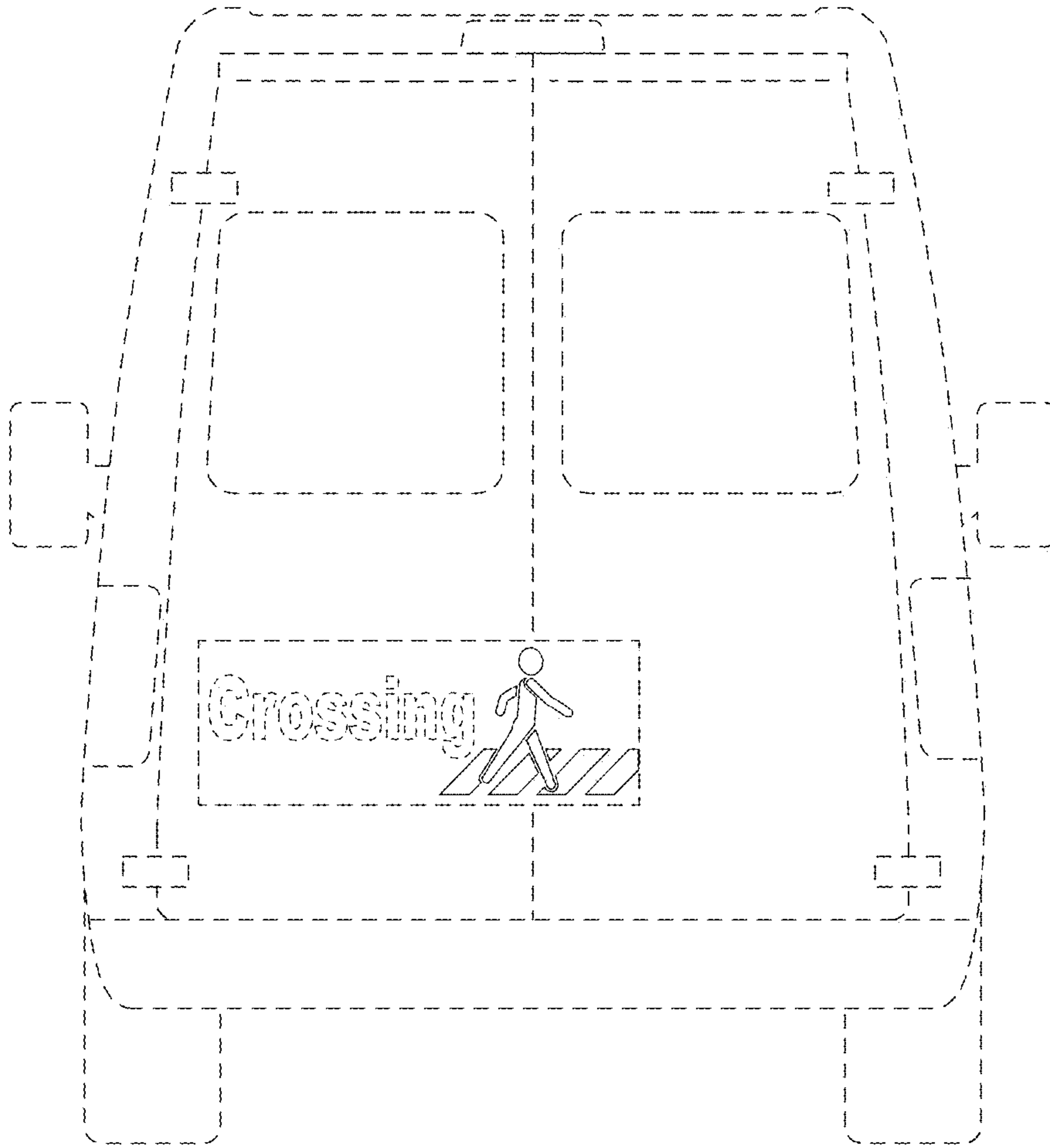
D521,417 S \* 5/2006 Stahel ..... D12/114  
D551,133 S \* 9/2007 Angelo ..... D12/163

**DESCRIPTION**

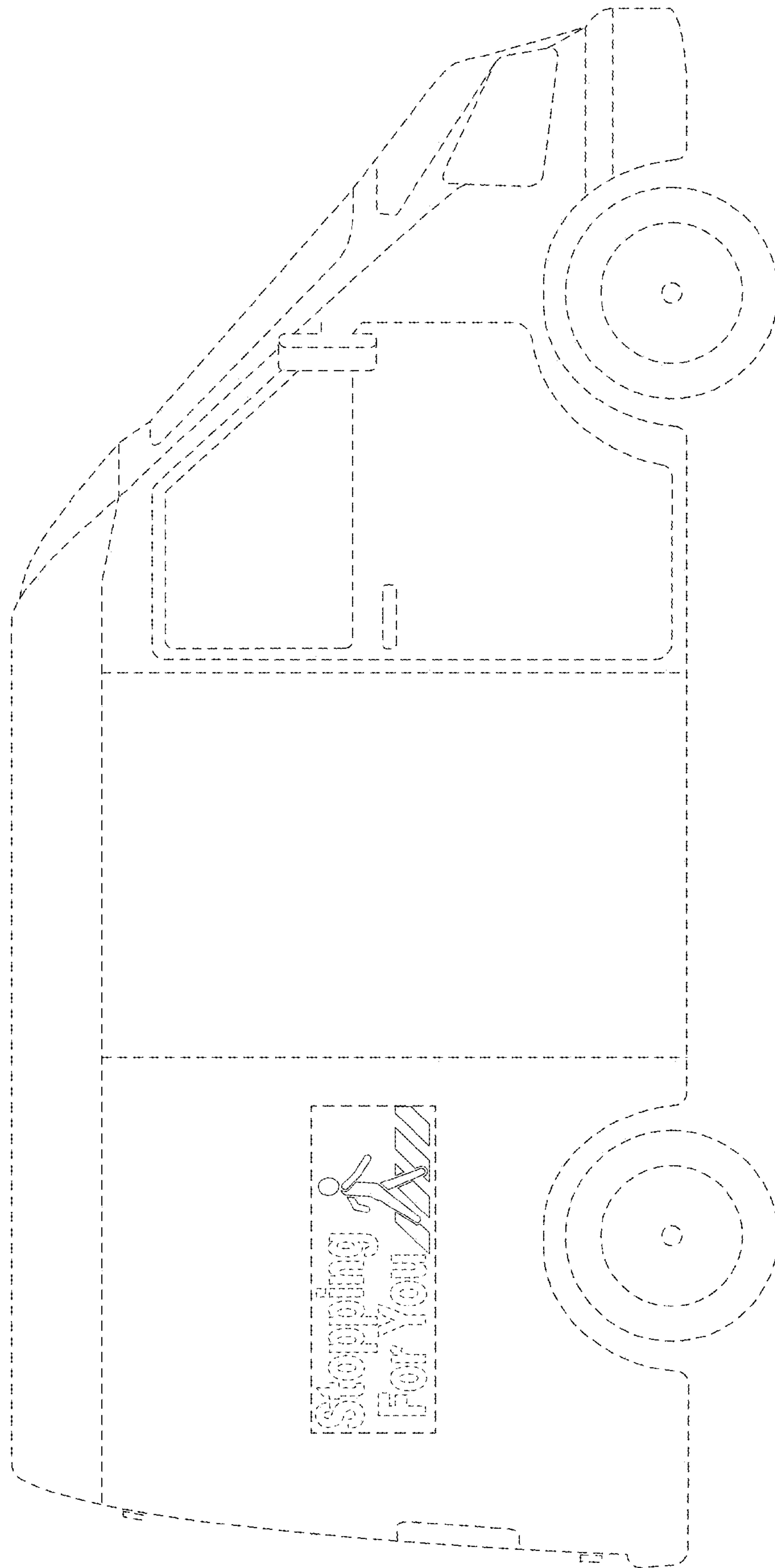
FIG. 1 is a front view of an exterior vehicle display showing the claimed design; and, FIG. 2 is another view thereof. The broken lines in the figures show portions of the exterior vehicle display or environment that form no part of the claimed design.

**1 Claim, 2 Drawing Sheets**





**FIG. 1**



**FIG. 2**