

US00D962132S

(12) **United States Design Patent**
Utsunomiya et al.

(10) **Patent No.:** **US D962,132 S**
(45) **Date of Patent:** **** Aug. 30, 2022**

(54) **REAR BUMPER FOR AUTOMOBILE**

(71) Applicant: **Nissan Motor Co., Ltd.**, Kanagawa (JP)

(72) Inventors: **Takashi Utsunomiya**, Kanagawa (JP);
Masato Koyama, Kanagawa (JP)

(73) Assignee: **Nissan Motor Co., Ltd.**, Yokohama (JP)

(**) Term: **15 Years**

(21) Appl. No.: **29/731,429**

(22) Filed: **Apr. 15, 2020**

(30) **Foreign Application Priority Data**

Oct. 16, 2019 (JP) 2019-023116

(51) **LOC (13) Cl.** **12-16**

(52) **U.S. Cl.**
USPC **D12/169**

(58) **Field of Classification Search**

USPC D12/82, 85, 86, 88, 89, 90, 91, 92, 93,
D12/96, 98, 99, 101, 102, 106, 163, 164,
D12/165, 166, 167, 169, 170, 171, 172,
D12/173, 181, 184, 185, 190, 192, 196,
D12/216, 223, 400; D21/533, 548, 552,
D21/561

CPC B60R 19/00; B60R 19/02; B60R 19/04;
B60R 19/16; B60R 19/18; B60R 19/24;
B60R 19/26; B60R 19/44; B60R 19/48;
B60R 19/52; B60R 19/56; B60R
2019/007; B60R 2019/522; B60R
2019/525; B60R 2019/527; B60R
2019/1886; B62D 25/02; B62D 25/08;
B62D 25/16; B60K 11/08; B60K 11/085

See application file for complete search history.

(56) **References Cited**

U.S. PATENT DOCUMENTS

D507,513 S * 7/2005 Kamimura D12/169
D525,178 S * 7/2006 Tsubaki D12/169
D580,316 S * 11/2008 Gueler D12/169

(Continued)

FOREIGN PATENT DOCUMENTS

JP D1499953 S 6/2014
JP D1549973 S 5/2016

(Continued)

OTHER PUBLICATIONS

Nissan Ariya Electric Crossover, Published Jul. 15, 2020 [online],
[retrieved on Aug. 21, 2021]. Retrieved from the Internet: website
(Year: 2020).*

Primary Examiner — Cary M Robinson

Assistant Examiner — Adam C Mager

(74) *Attorney, Agent, or Firm* — Global IP Counselors,
LLP

(57) **CLAIM**

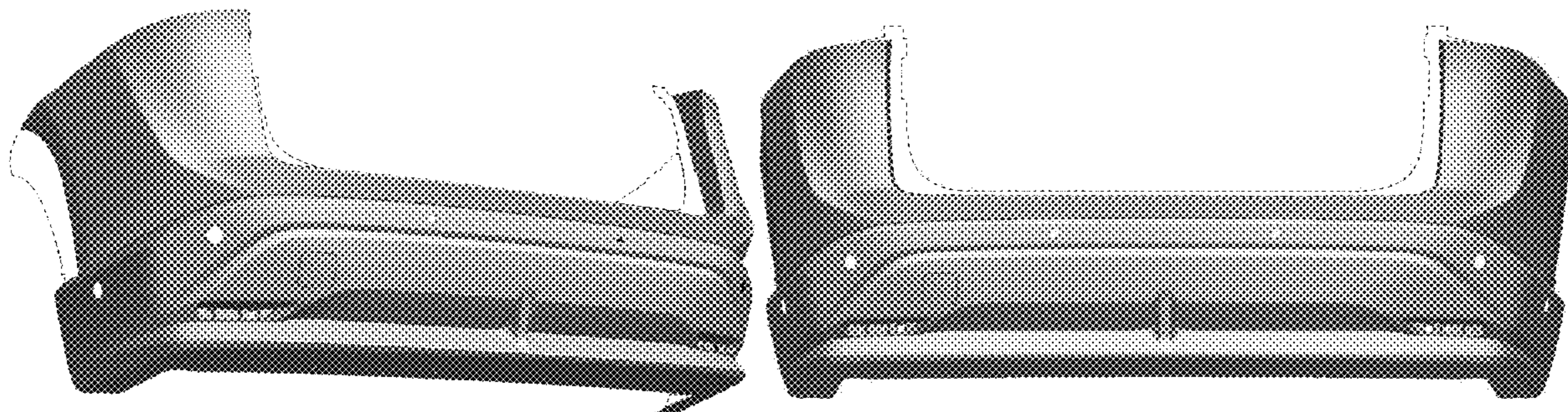
The ornamental design for a rear bumper for an automobile,
as shown and described.

DESCRIPTION

FIG. 1 is a first side perspective view of a rear bumper for
an automobile in accordance with our new design;
FIG. 2 is a second side perspective view thereof.
FIG. 3 is a front elevational view;
FIG. 4 is a top plan view thereof;
FIG. 5 is a bottom plan view thereof;
FIG. 6 is a right side elevational view thereof; and,
FIG. 7 is a left side elevational view thereof.

The rear view of the rear bumper forms no part of the
claimed design. The inside surfaces and mounting surfaces
of the rear bumper, shown in broken lines in FIGS. 1 to 7,
form no part of the claimed design since these surfaces are
hidden when the rear bumper is mounted to the automobile.

1 Claim, 7 Drawing Sheets



(56)

References Cited

U.S. PATENT DOCUMENTS

D600,604 S * 9/2009 Lamm D12/169
 D600,605 S * 9/2009 Lamm D12/169
 D624,856 S * 10/2010 Iwauchi D12/169
 D626,471 S * 11/2010 Loeb D12/169
 D632,232 S * 2/2011 Matei D12/169
 D681,517 S * 5/2013 Giachin D12/169
 D683,285 S * 5/2013 Yoshida D12/169
 D705,140 S * 5/2014 Kawasaki D12/169
 D709,808 S * 7/2014 Ueda D12/169
 D721,625 S * 1/2015 George D12/169
 D729,707 S * 5/2015 Thole D12/169
 D738,267 S * 9/2015 Chen D12/169
 D738,272 S * 9/2015 Kamiura D12/169
 D772,121 S * 11/2016 Luk D12/169
 D795,141 S * 8/2017 Ikeda D12/169
 D799,388 S * 10/2017 Smock D12/169
 D815,572 S * 4/2018 Perkins D12/169
 D821,940 S * 7/2018 Platto D12/169
 D827,519 S * 9/2018 Komuro D12/169
 D853,289 S * 7/2019 Woodhouse D12/169
 D854,981 S * 7/2019 Smock D12/169
 D854,983 S * 7/2019 Katou D12/169

D856,202 S * 8/2019 Lucas D12/164
 D861,550 S * 10/2019 Li D12/169
 D883,875 S * 5/2020 Woodhouse D12/169
 D904,243 S * 12/2020 Utsunomiya D12/169
 D904,248 S * 12/2020 Katou D12/169
 D914,555 S * 3/2021 Bischoff D12/169
 D927,370 S * 8/2021 Nagasaka D12/169

FOREIGN PATENT DOCUMENTS

JP	D1608203 S	7/2018
JP	D1609863 S	7/2018
JP	D1583459 S	8/2018
JP	D1597093 S	2/2019
JP	D1665124 S	8/2020
JP	D1662942 S	10/2020
JP	D1669590 S	10/2020
JP	D1645655 S	11/2020
JP	D1645669 S	11/2020
JP	D1659149 S	5/2021
JP	D1667354 S	8/2021
JP	D1671553 S	11/2021
JP	D1675931 S	12/2021

* cited by examiner

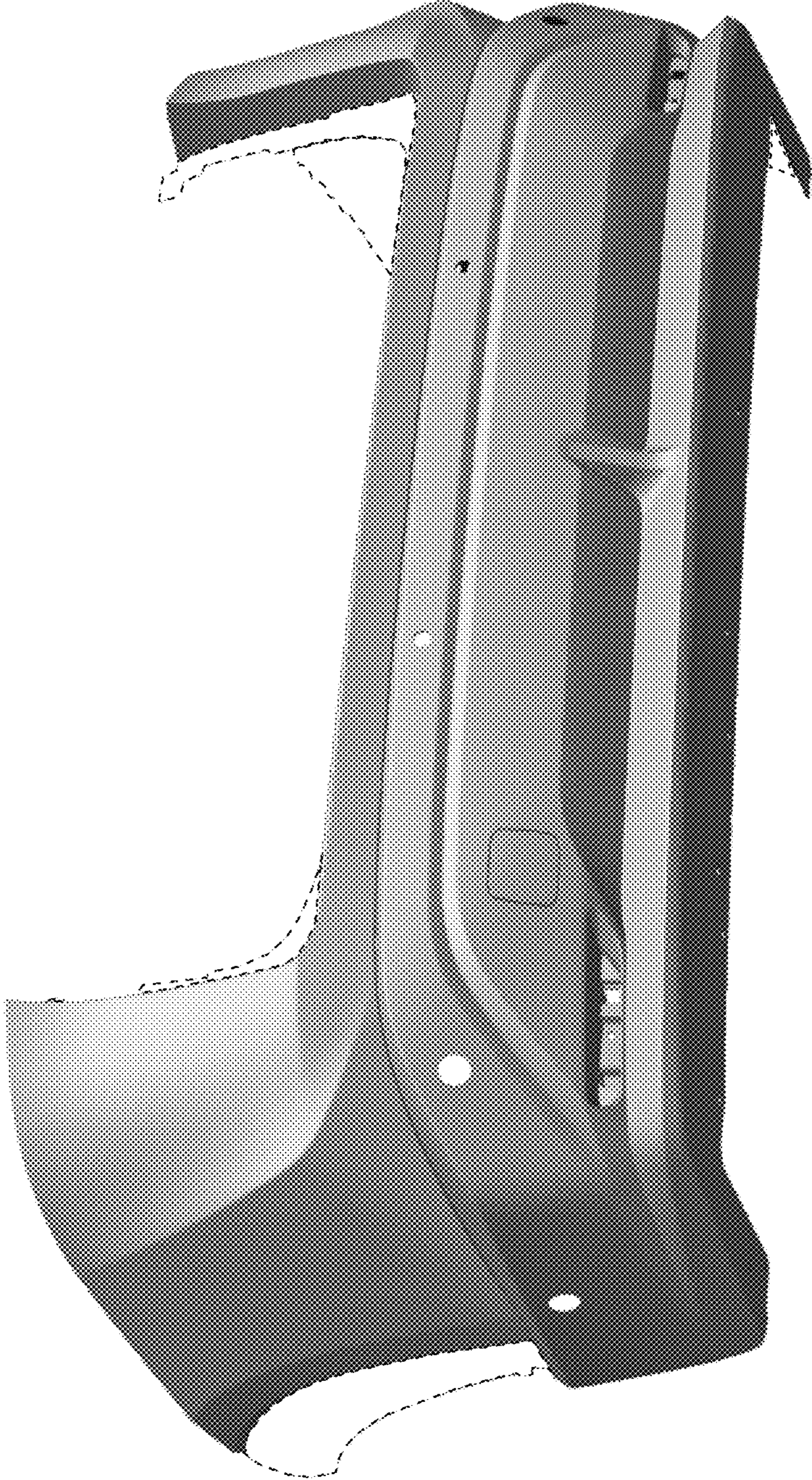


FIG. 1

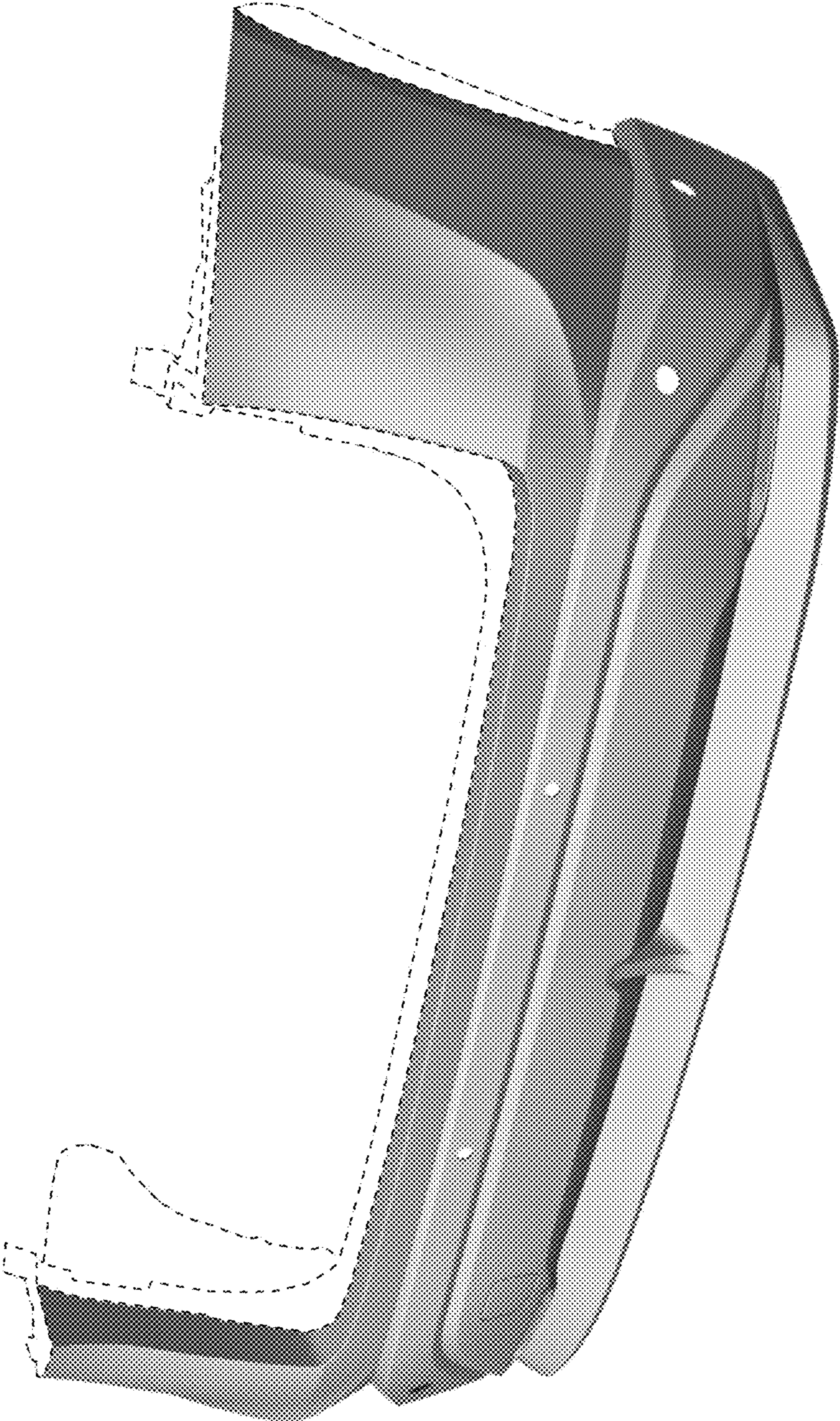


FIG. 2

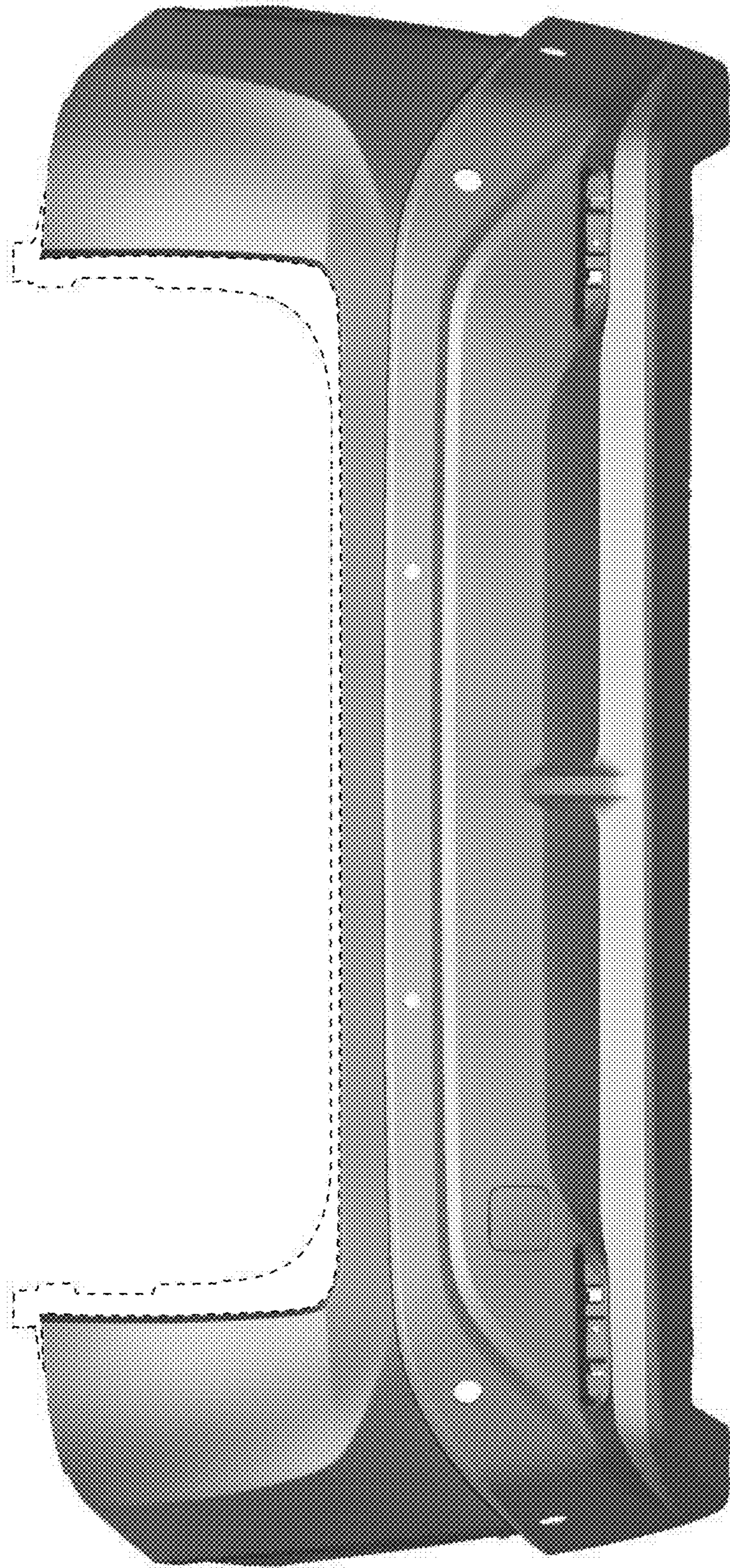


FIG. 3

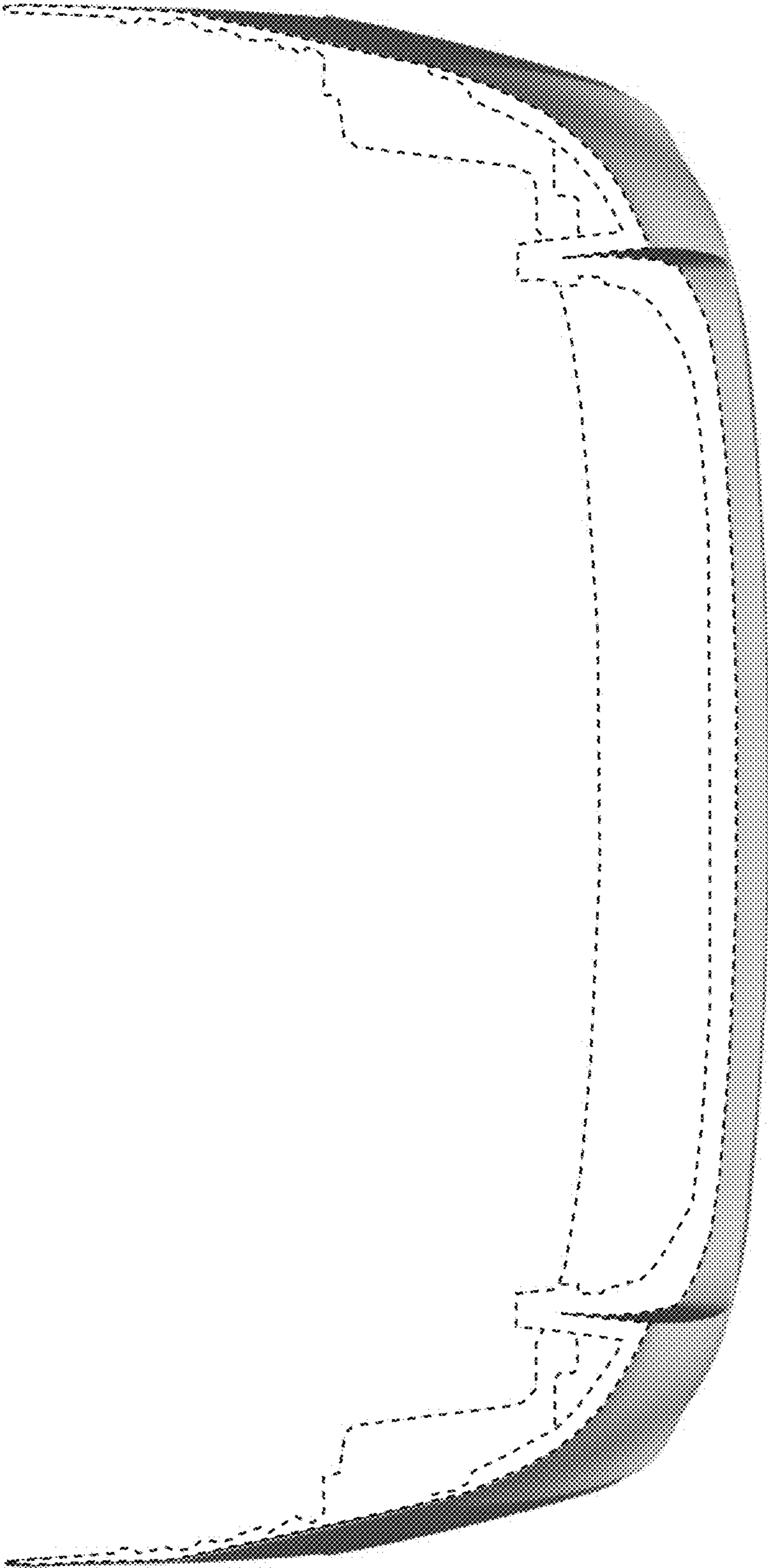


FIG. 4

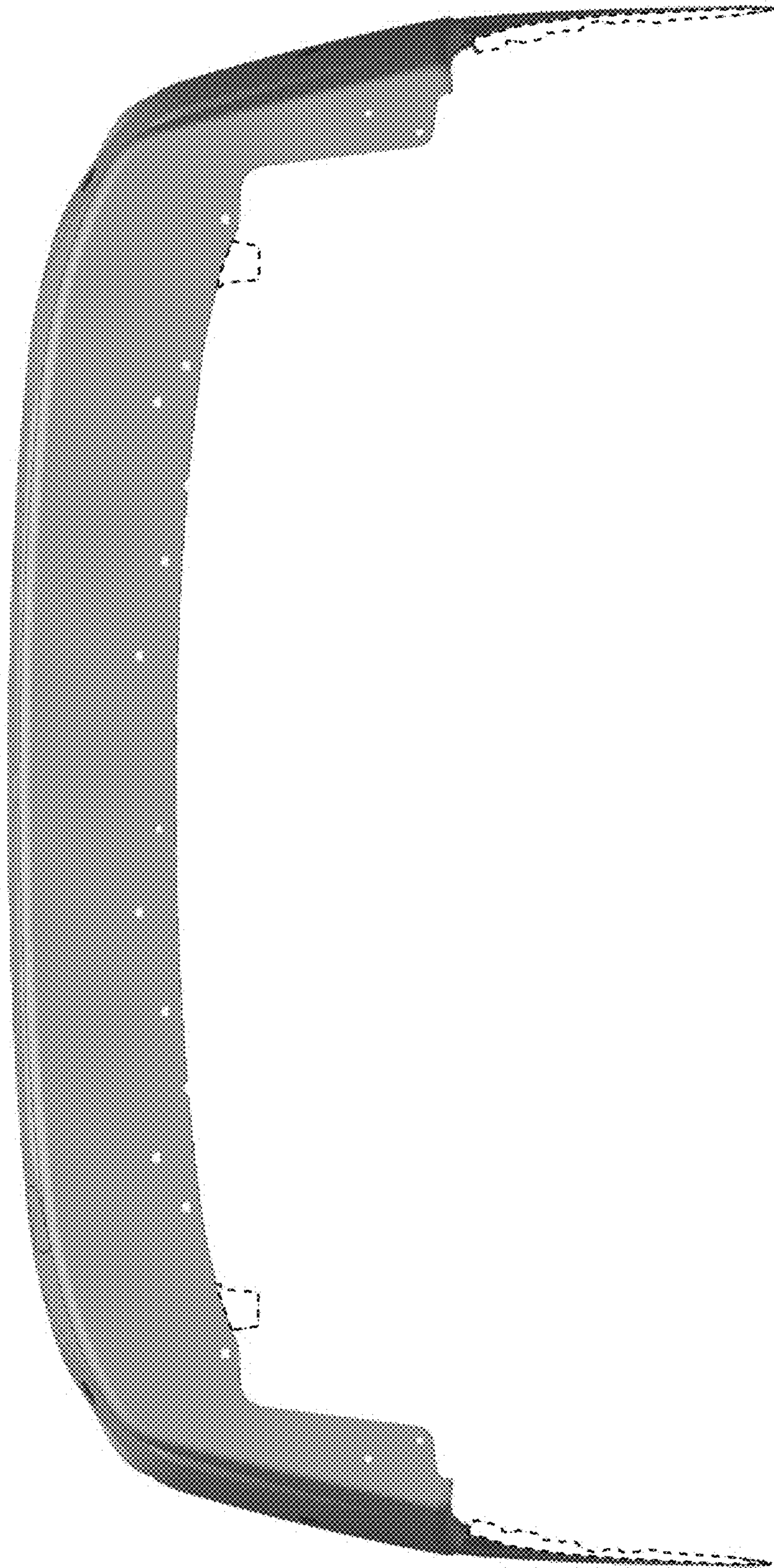


FIG. 5

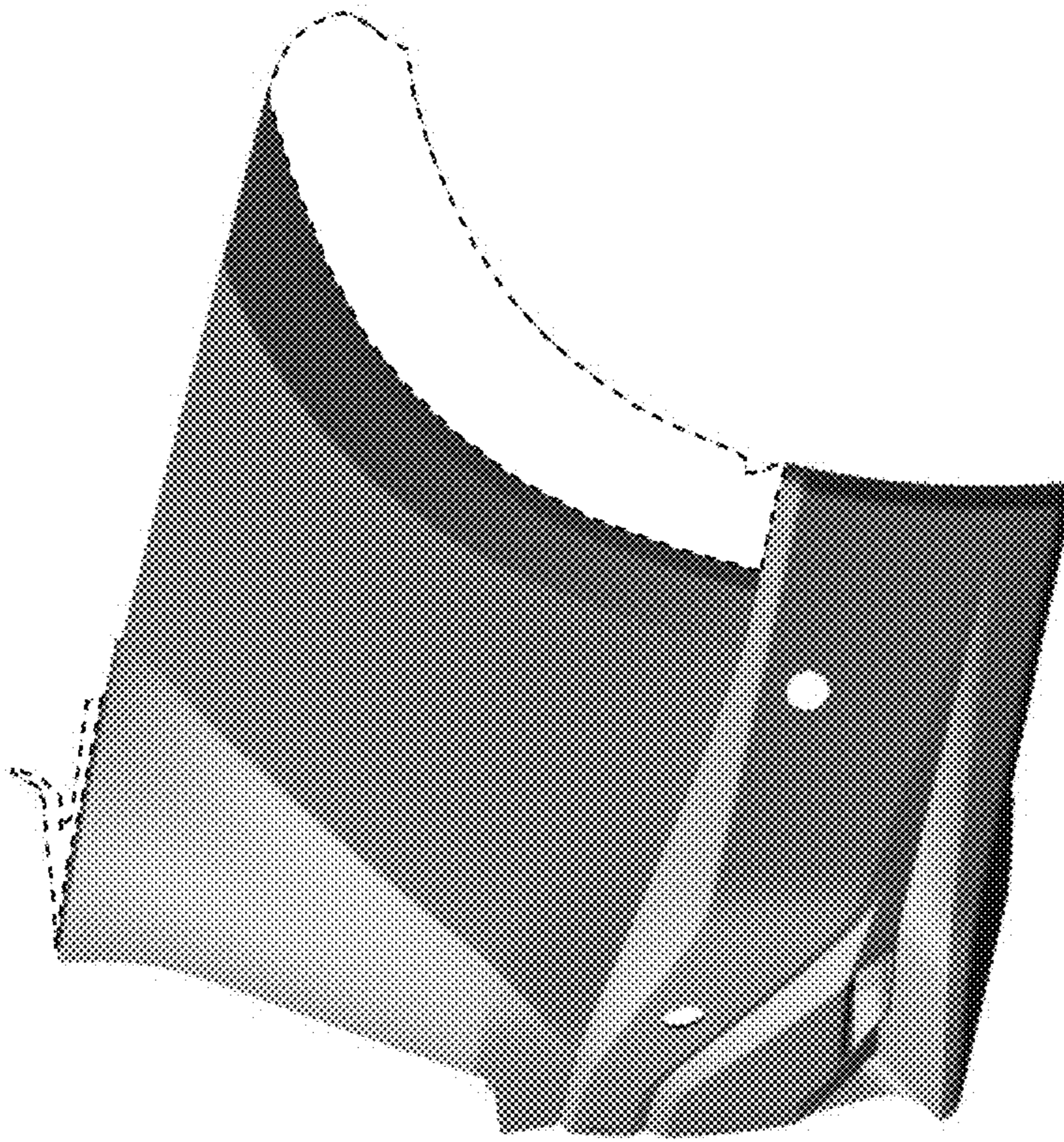


FIG. 6

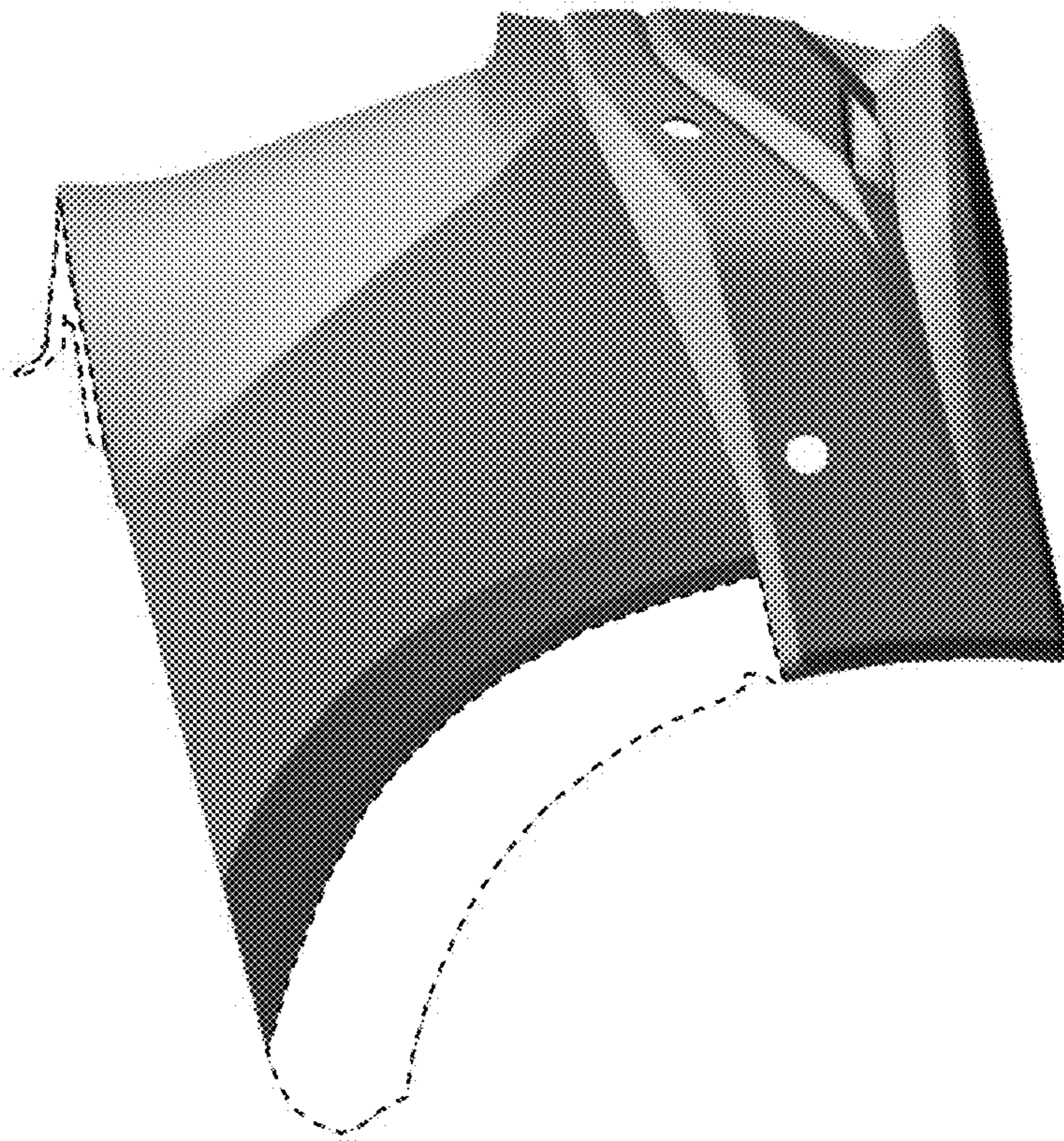


FIG. 7