

US00D962130S

(12) **United States Design Patent**  
**Huang**

(10) **Patent No.:** **US D962,130 S**

(45) **Date of Patent:** **\*\* Aug. 30, 2022**

- (54) **HITCH FLAGPOLE MOUNT**
- (71) Applicant: **Shenzhen Baishite Electronic Technology Co., Ltd., Shenzhen (CN)**
- (72) Inventor: **Renjie Huang, Shenzhen (CN)**
- (\*\*) Term: **15 Years**
- (21) Appl. No.: **29/817,787**
- (22) Filed: **Dec. 3, 2021**
- (51) **LOC (13) Cl.** ..... **12-16**
- (52) **U.S. Cl.**  
USPC ..... **D12/162**
- (58) **Field of Classification Search**  
USPC ..... D12/159, 160, 161, 162, 400, 317;  
D21/777, 810  
CPC . B60D 1/60; B60D 1/065; B60D 1/00; B60D  
1/06; B60D 1/36; B62D 33/033  
See application file for complete search history.

- D932,385 S \* 10/2021 Sablatura ..... B60R 9/06  
D12/162
- D934,741 S \* 11/2021 Mueller ..... D12/162
- D934,742 S \* 11/2021 McCall ..... D12/162
- D943,467 S \* 2/2022 Woller ..... D12/162
- D947,079 S \* 3/2022 Chen ..... D12/162
- D951,825 S \* 5/2022 Borkholder ..... D12/162
- 2017/0246924 A1 \* 8/2017 Thompson ..... B60D 1/04
- 2022/0161735 A1 \* 5/2022 Mannsfeld ..... E04H 15/06

\* cited by examiner

*Primary Examiner* — Katrina A Betton

(57) **CLAIM**

The ornamental design for a hitch flagpole mount, substantially as shown and described.

**DESCRIPTION**

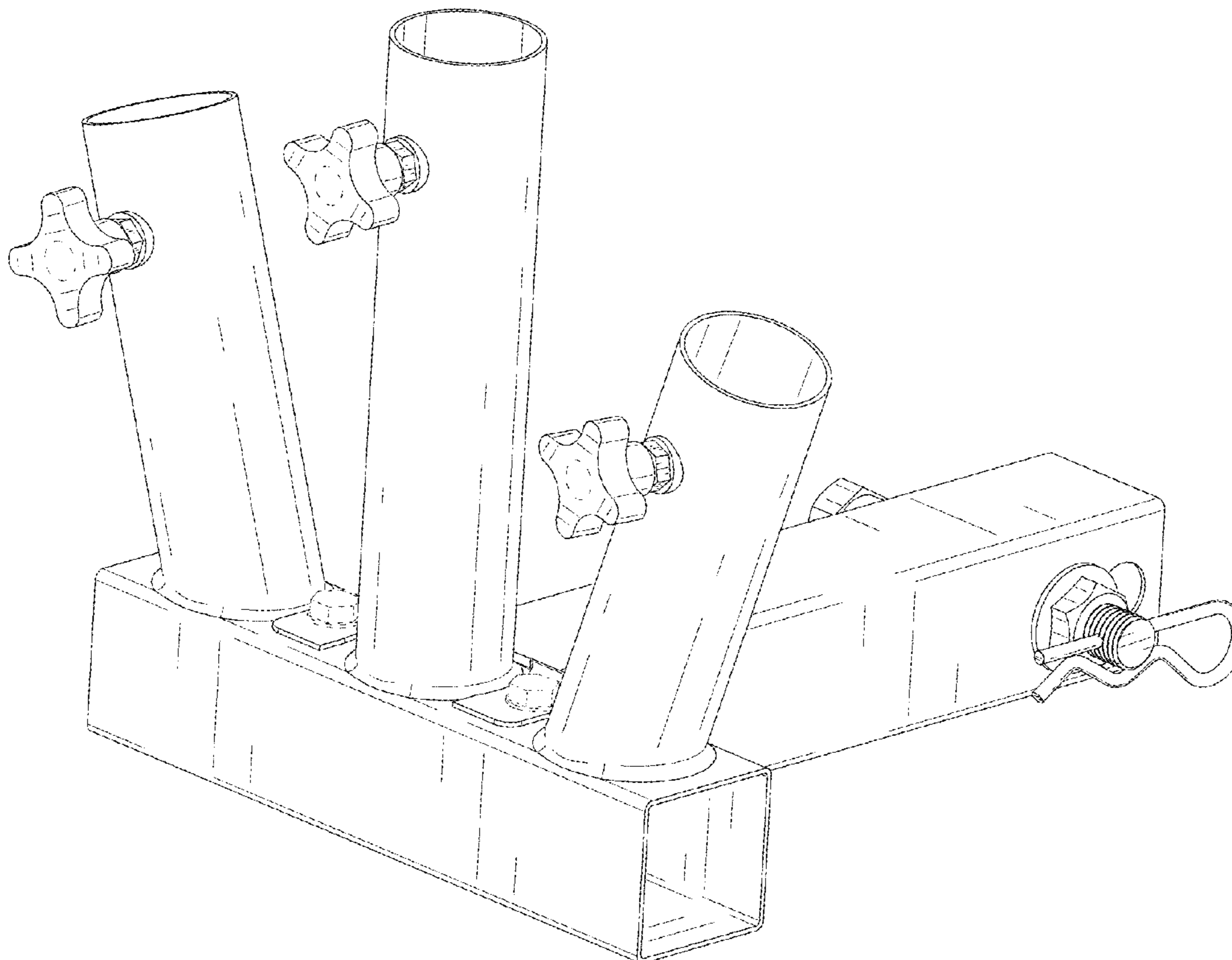
FIG. 1 is a top, front and right side perspective view of a hitch flagpole mount, showing my new design;  
 FIG. 2 is a bottom, rear and right side perspective view thereof;  
 FIG. 3 is a front elevational view thereof;  
 FIG. 4 is a rear elevational view thereof;  
 FIG. 5 is a left side elevational view thereof;  
 FIG. 6 is a right side elevational view thereof;  
 FIG. 7 is a top plan view thereof; and,  
 FIG. 8 is a bottom plan view thereof.  
 The broken lines in the drawings illustrate the portions of the hitch flagpole mount, which form no part of the claimed design.

**1 Claim, 8 Drawing Sheets**

(56) **References Cited**

**U.S. PATENT DOCUMENTS**

- D632,231 S 2/2011 Mattucci
- D634,259 S \* 3/2011 Farber ..... D12/408
- D924,108 S \* 7/2021 Works ..... D12/162
- D930,156 S \* 9/2021 Wong ..... D24/134
- D930,515 S \* 9/2021 Craford ..... D12/162
- D931,152 S \* 9/2021 Rabska ..... D12/162



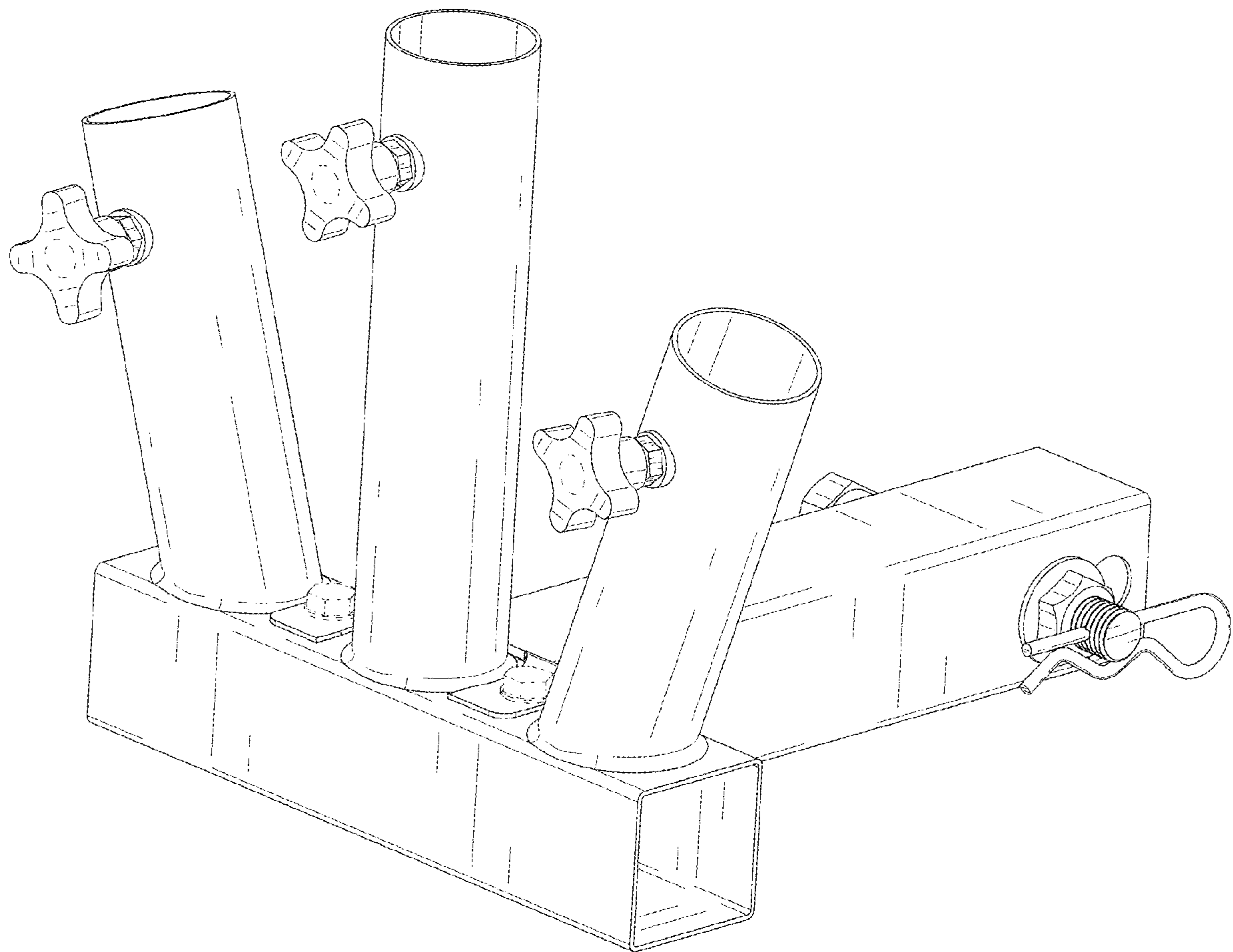


FIG. 1

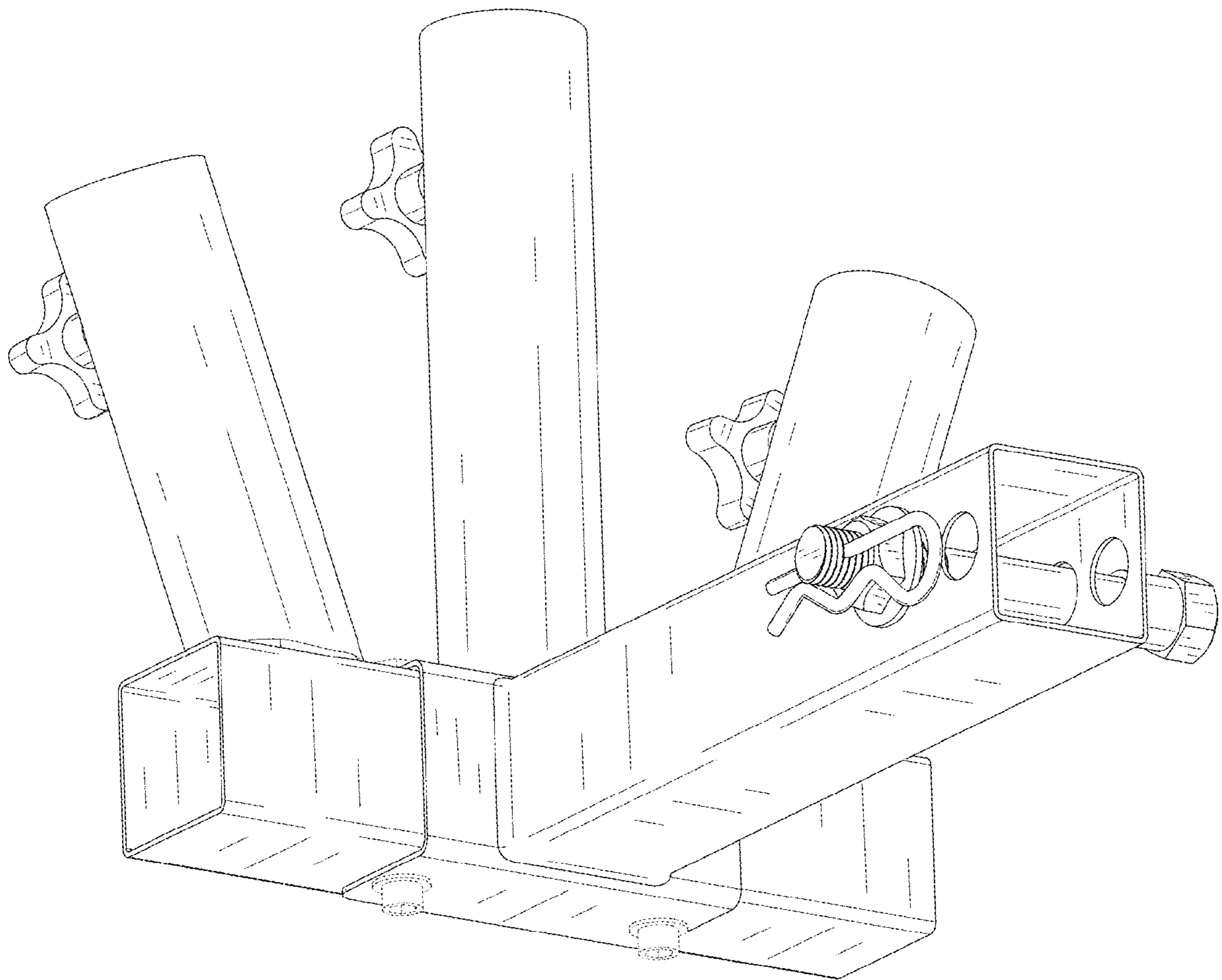


FIG. 2

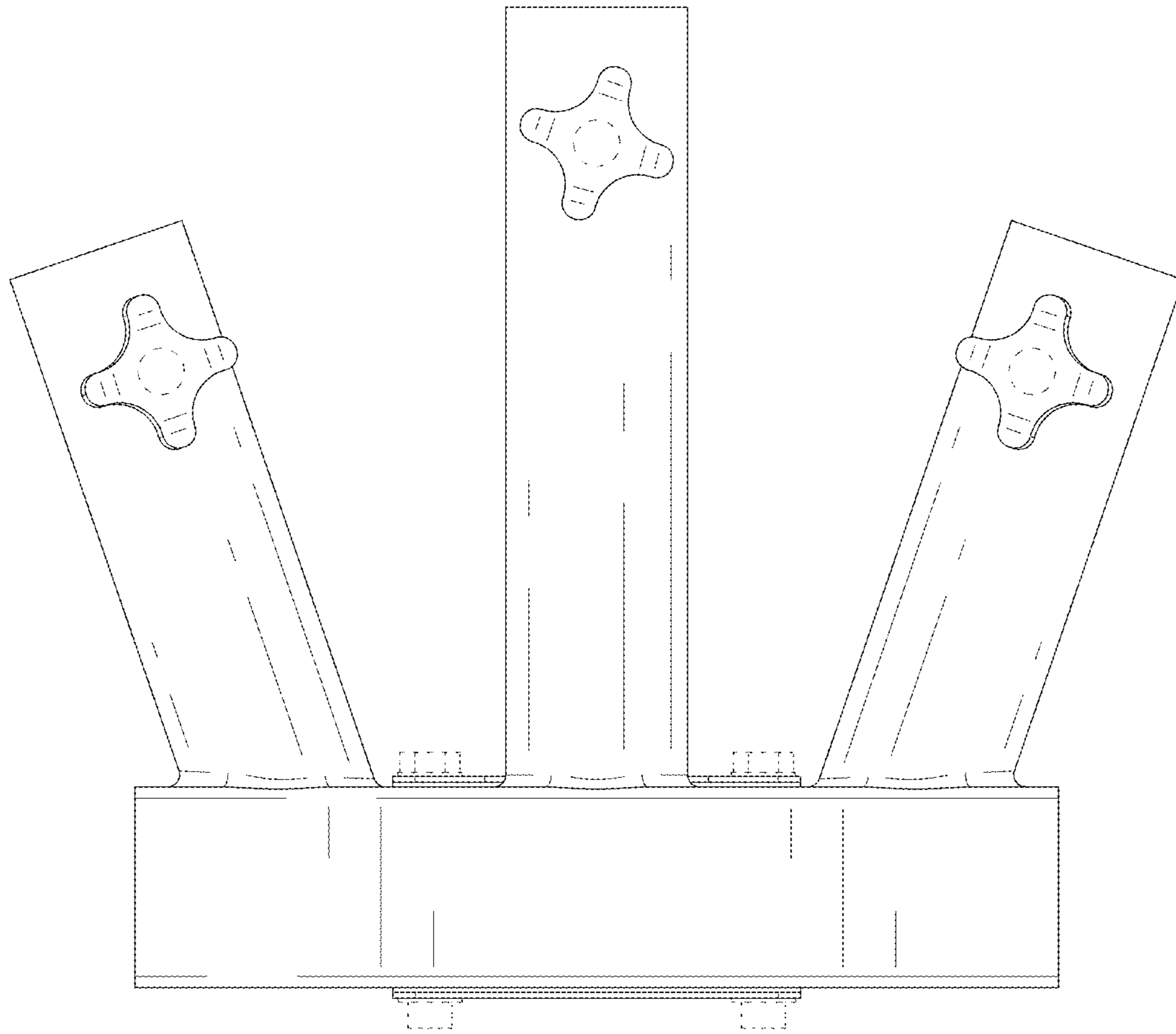


FIG. 3

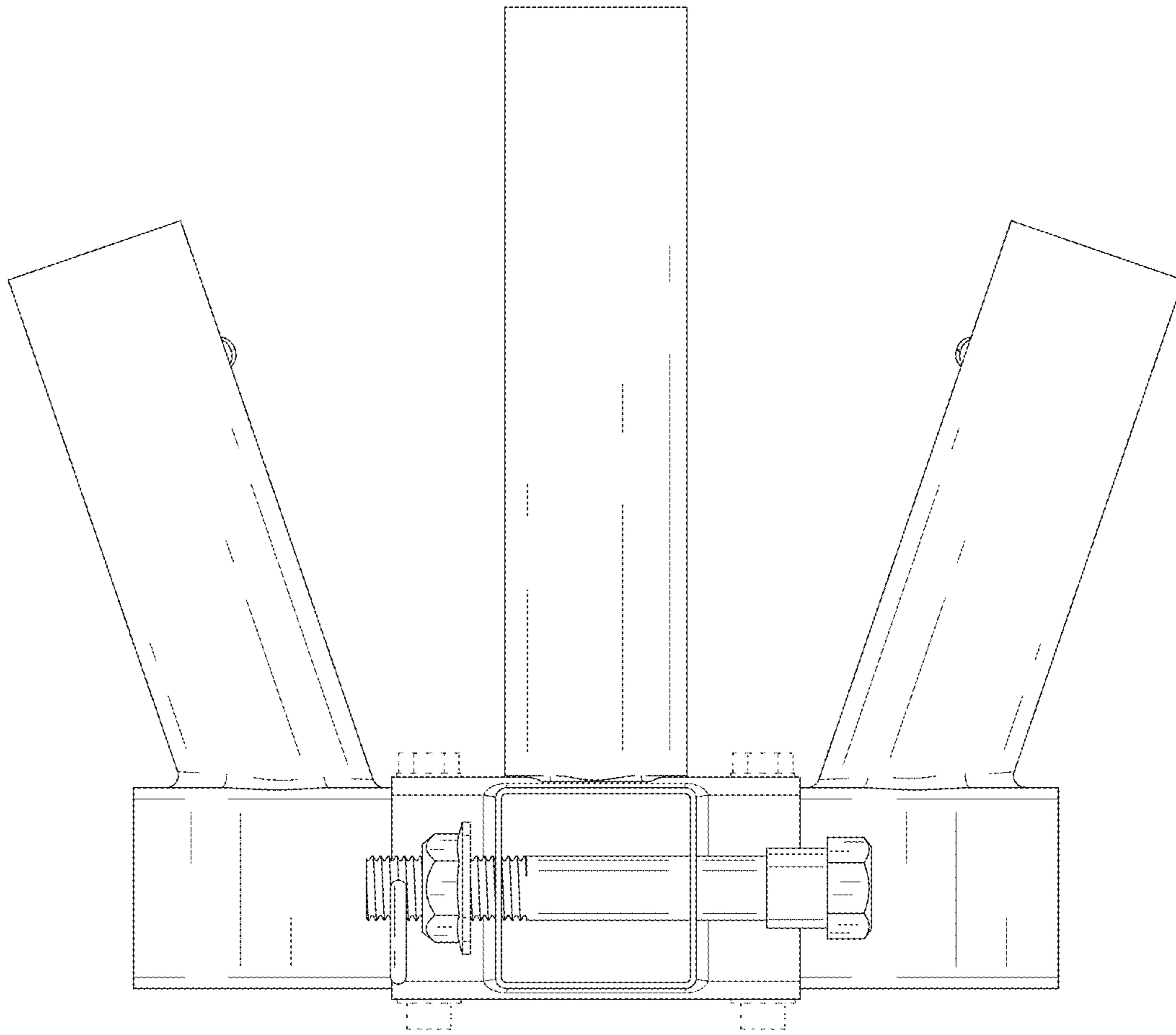


FIG. 4

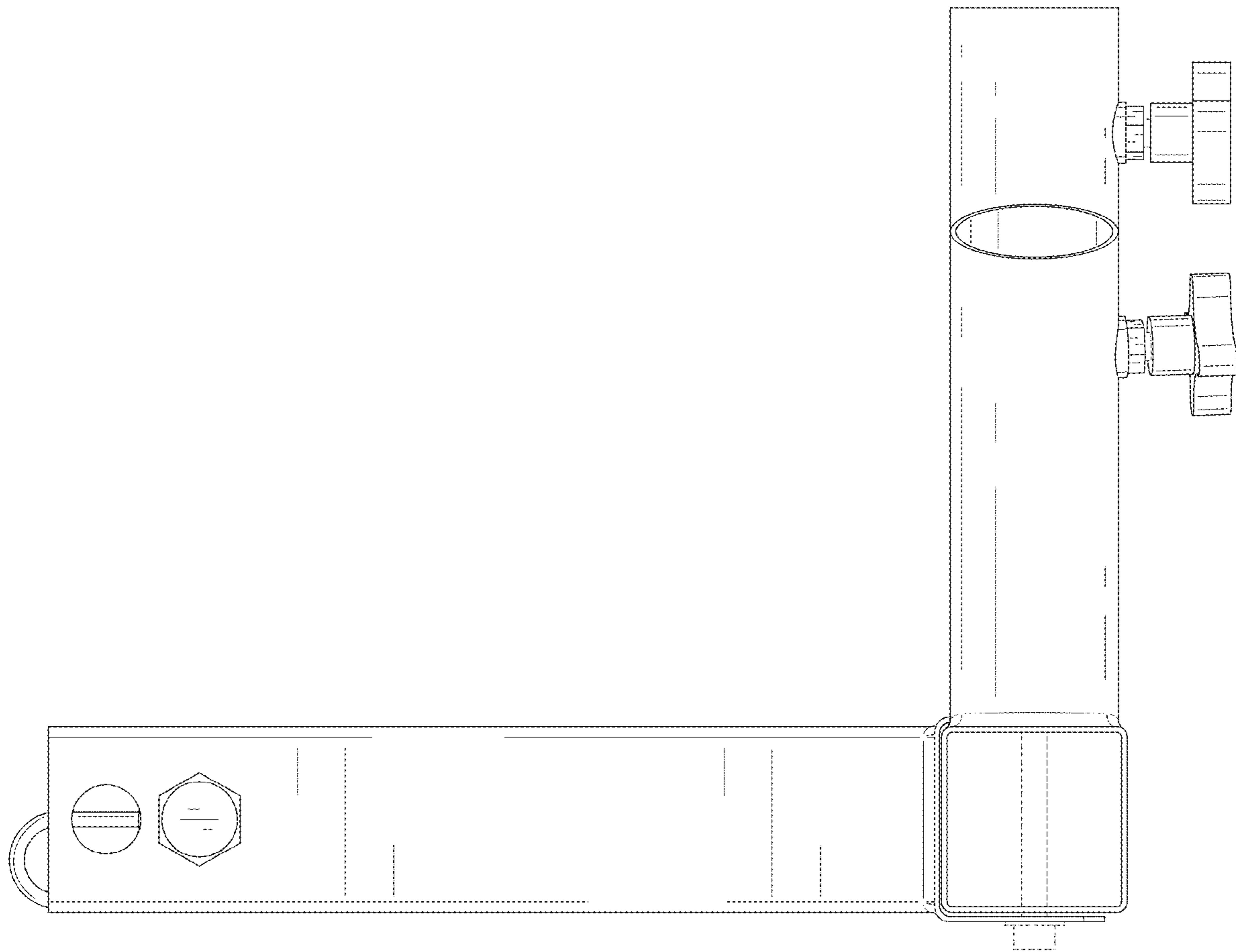


FIG. 5



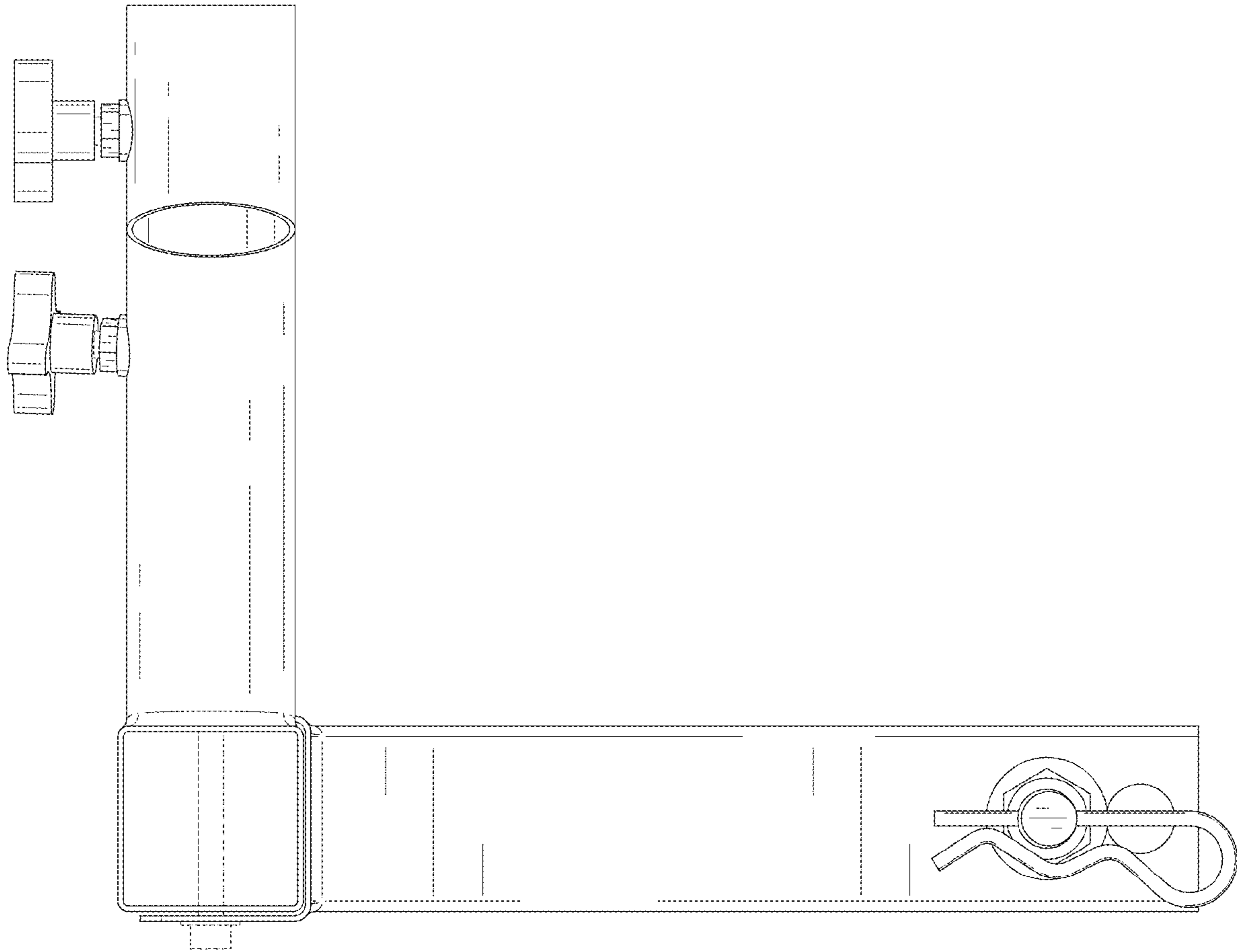


FIG. 6

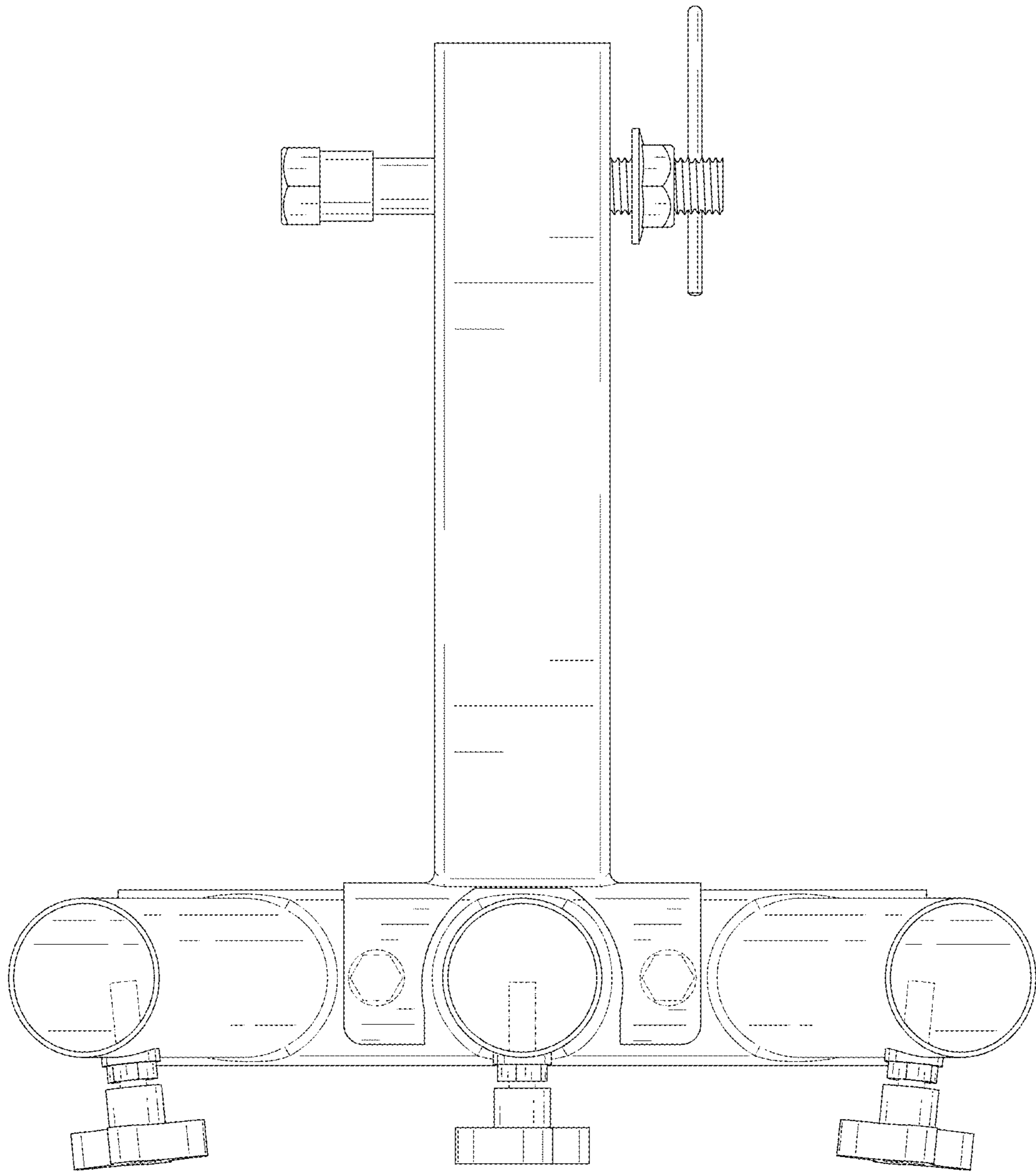


FIG. 7



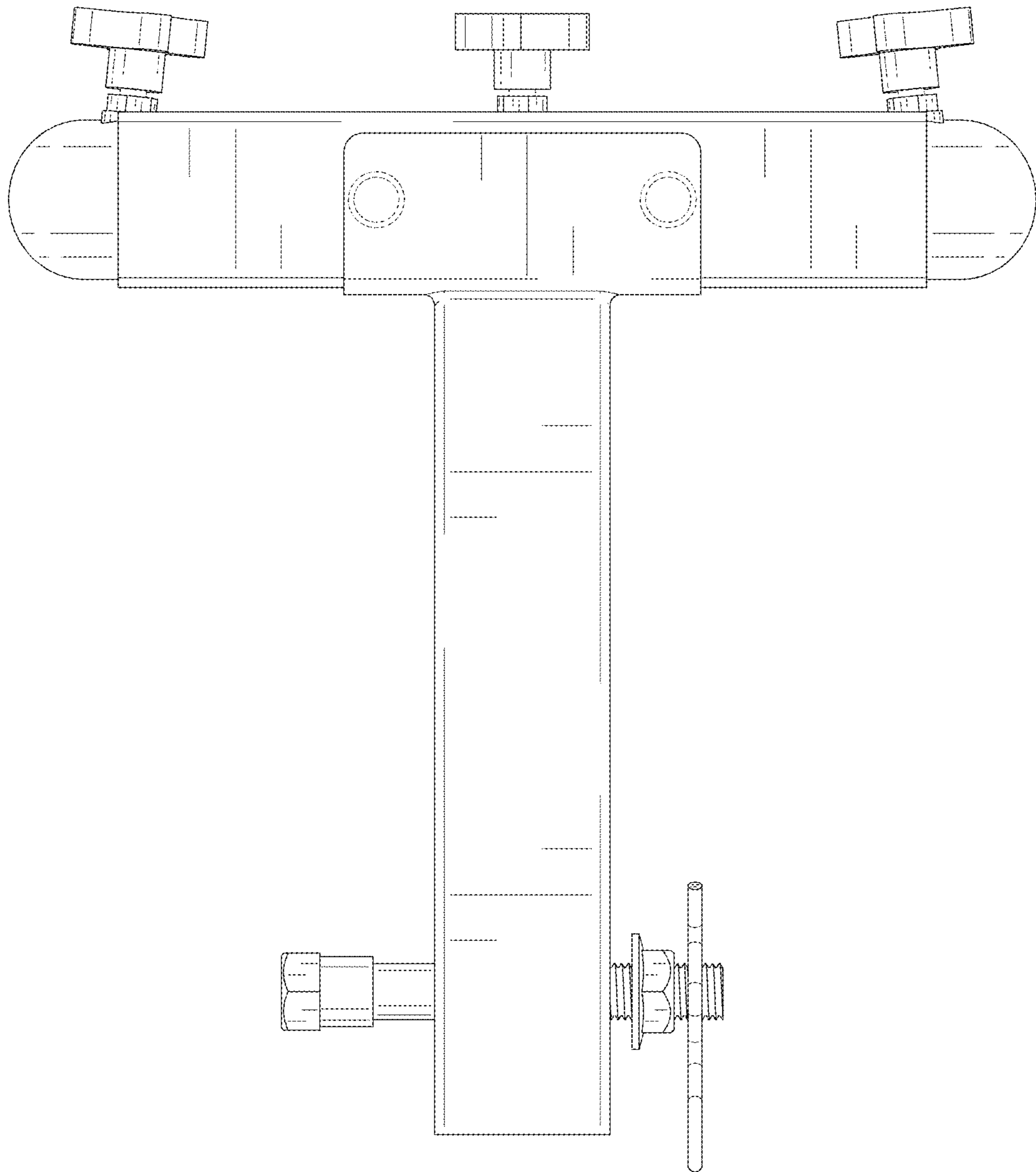


FIG. 8