

US00D962127S

(12) **United States Design Patent**  
**Snider**

(10) **Patent No.:** **US D962,127 S**

(45) **Date of Patent:** **\*\* Aug. 30, 2022**

(54) **BIKE PEDAL SHOE PLATFORM**

(71) Applicant: **Jerry Snider**, Taylor, MI (US)

(72) Inventor: **Jerry Snider**, Taylor, MI (US)

(\*\*) Term: **15 Years**

(21) Appl. No.: **29/755,093**

(22) Filed: **Oct. 16, 2020**

(51) **LOC (13) Cl.** ..... **12-11**

(52) **U.S. Cl.**  
USPC ..... **D12/125**

(58) **Field of Classification Search**  
USPC ..... D2/189, 624, 627, 639, 900, 916-918,  
D2/943, 946, 969, 974, 976; D3/218;  
D12/111-113, 125; D21/683; D24/189,  
D24/190, 191, 200, 206  
CPC ..... B62M 3/086; A43B 5/14; A43C 11/14  
See application file for complete search history.

(56) **References Cited**

**U.S. PATENT DOCUMENTS**

4,361,972	A	12/1982	Miller	
D275,846	S *	10/1984	Buchanan, Jr.	D12/125
4,599,914	A	7/1986	Dunn	
4,662,090	A	5/1987	Solano	
D302,259	S *	7/1989	Konzorr	D12/125
4,856,211	A	8/1989	Phillips	
4,870,873	A *	10/1989	Tackles	A43B 5/14 74/594.6
4,915,375	A	4/1990	Ginsburg	
D308,840	S *	6/1990	Tackles	D12/125
D324,838	S *	3/1992	Briscadieu	D12/125
D370,540	S *	6/1996	Good	D26/28
D595,620	S *	7/2009	Kingsbury	D12/125
7,938,040	B2 *	5/2011	Deng	B62M 3/08 74/594.6
D671,039	S	11/2012	Deng	
D691,071	S *	10/2013	Deng	D12/125
8,919,222	B2	12/2014	Scheiman	
D739,313	S *	9/2015	Chen	D12/125
D798,776	S *	10/2017	Gardner	D12/125

D868,637	S *	12/2019	Donahue	D12/125
10,730,583	B2 *	8/2020	Donahue	B62M 3/083
D945,936	S *	3/2022	Gu	D12/125
D953,209	S *	5/2022	Liu	D12/125
2006/0048599	A1	3/2006	Wald	
2010/0095494	A1 *	4/2010	Martin	A43C 11/1493 24/70 ST

**FOREIGN PATENT DOCUMENTS**

WO WO2011139847 11/2011

**OTHER PUBLICATIONS**

Joseph Delves. "Best clipless road bike pedals 2022." Cyclist., Apr. 8, 2021 [online]. [retrieved on Jun. 20, 2022]. Retrieved from the Internet <URL: <https://www.cyclist.co.uk/buying-guides/860/buyers-guide-to-the-best-clipless-road-bike-pedals>>.\*  
"Plastic Adaptive Pedal with 1/2" adapter for most home exercisers." Bicycle Man LLC., Dec. 14, 2015 [online], [retrieved on Jun. 20, 2022]. Retrieved from the Internet <URL: <https://store.bicycleman.com/products/plastic-adaptive-pedal-with-adapters>>.\*

\* cited by examiner

*Primary Examiner* — Darlington Ly

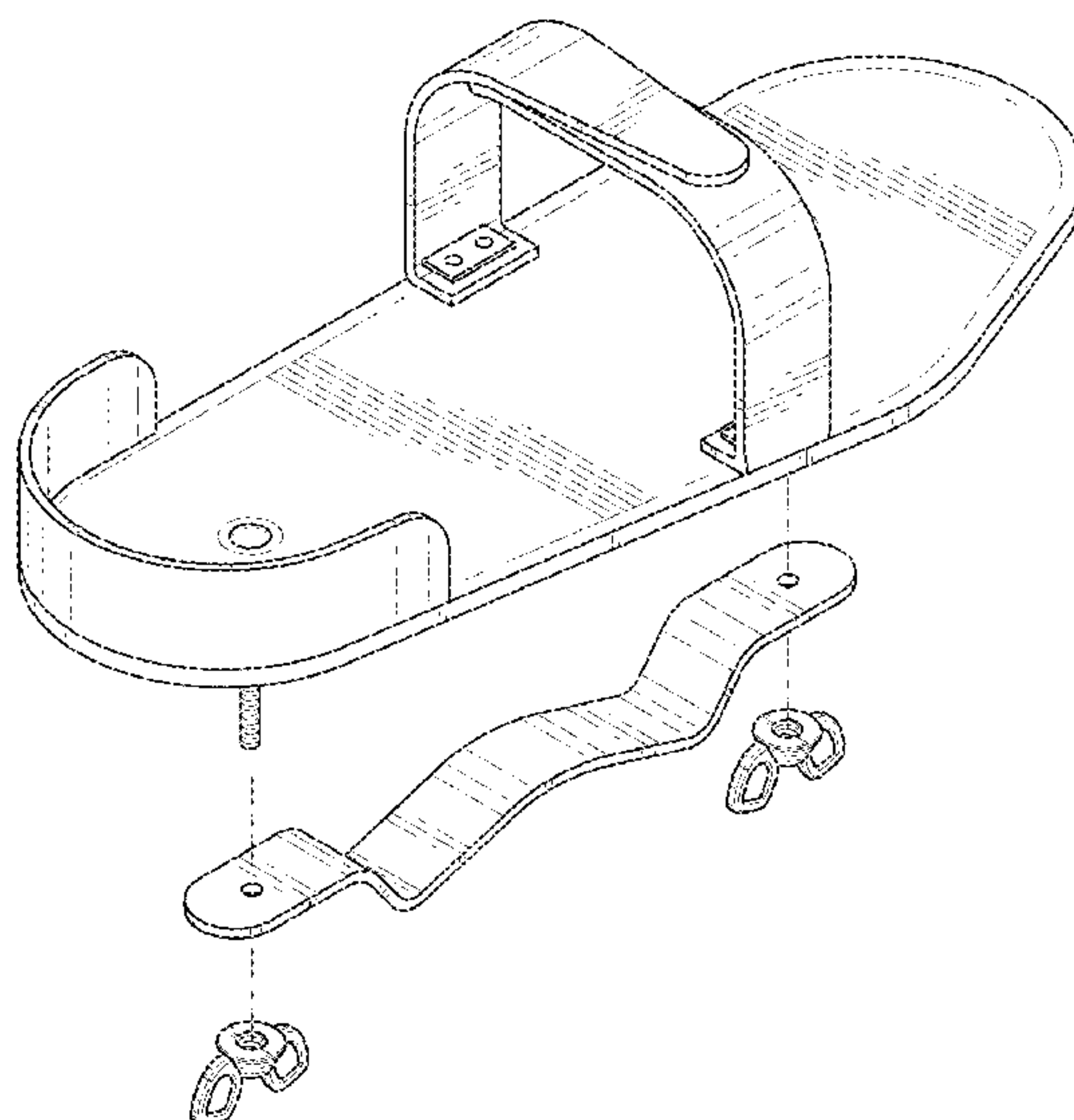
(57) **CLAIM**

The ornamental design for a bike pedal shoe platform, as shown and described.

**DESCRIPTION**

FIG. 1 is a partially exploded top, rear, and left side perspective view of a bike pedal shoe platform embodying my new design;  
FIG. 2 is a left side elevation view thereof;  
FIG. 3 is a right side elevation view thereof;  
FIG. 4 is a front elevation view thereof;  
FIG. 5 is a rear elevation view thereof;  
FIG. 6 is a top plan view thereof; and,  
FIG. 7 is a bottom plan view thereof.

**1 Claim, 7 Drawing Sheets**



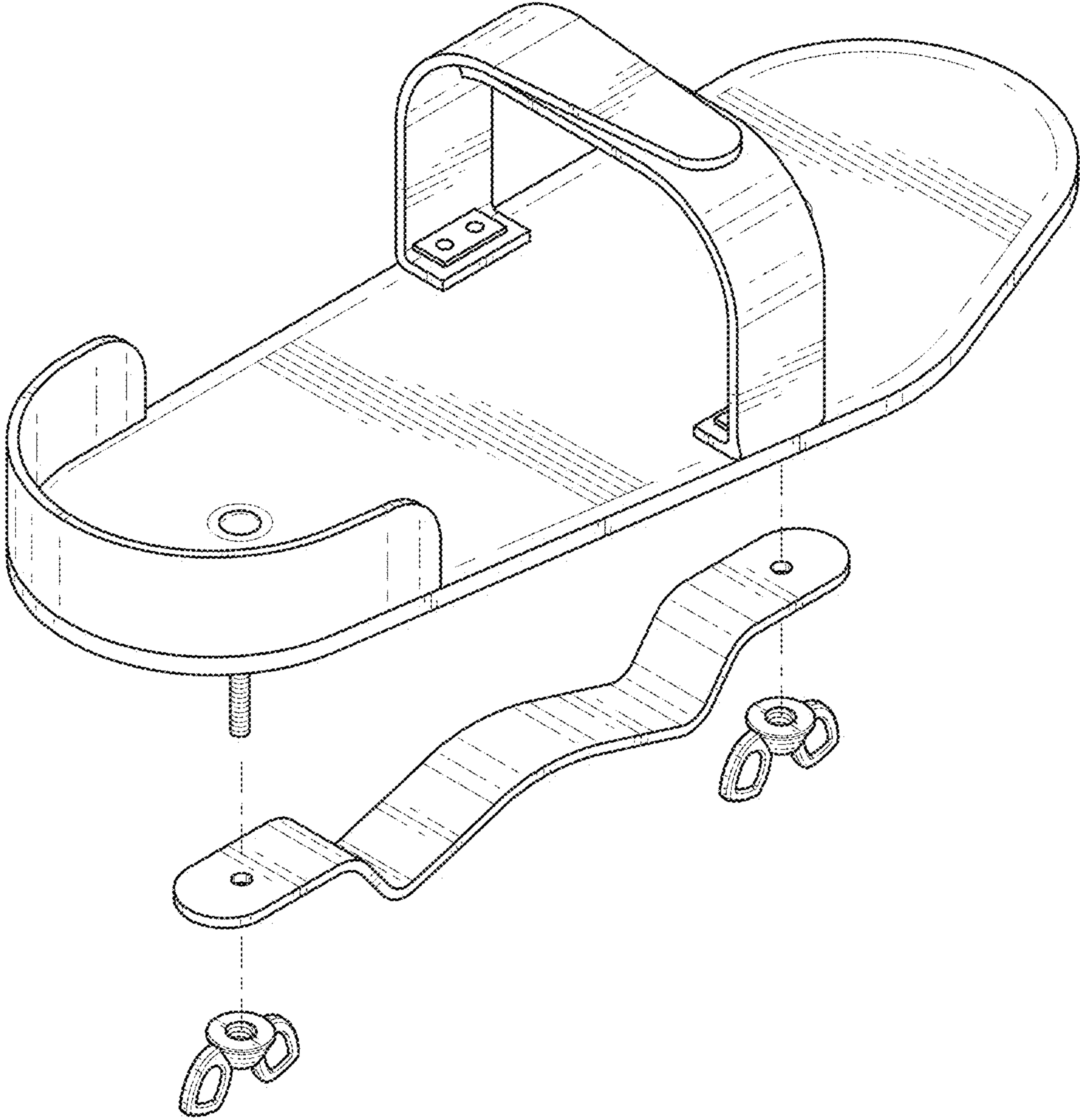


FIG. 1

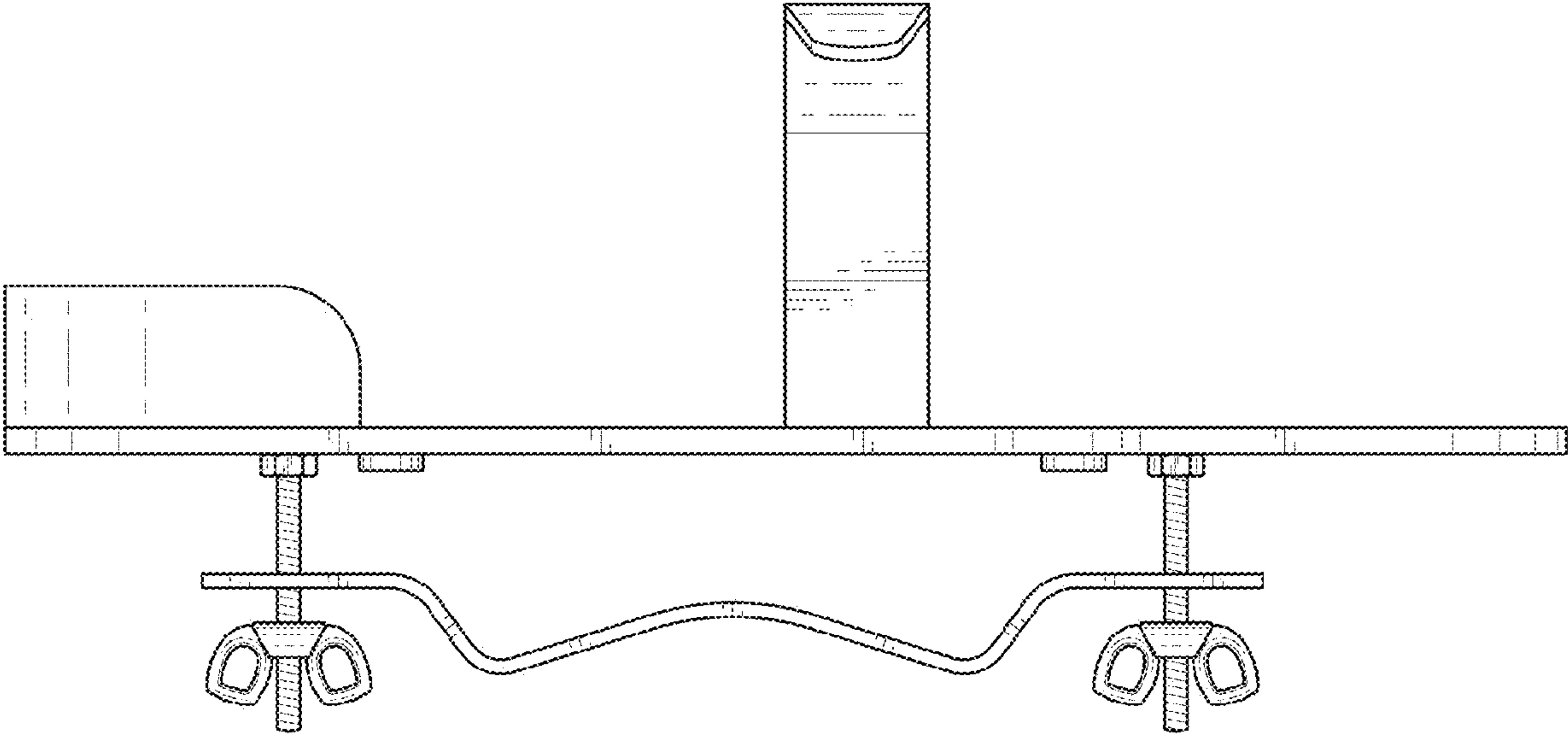


FIG. 2

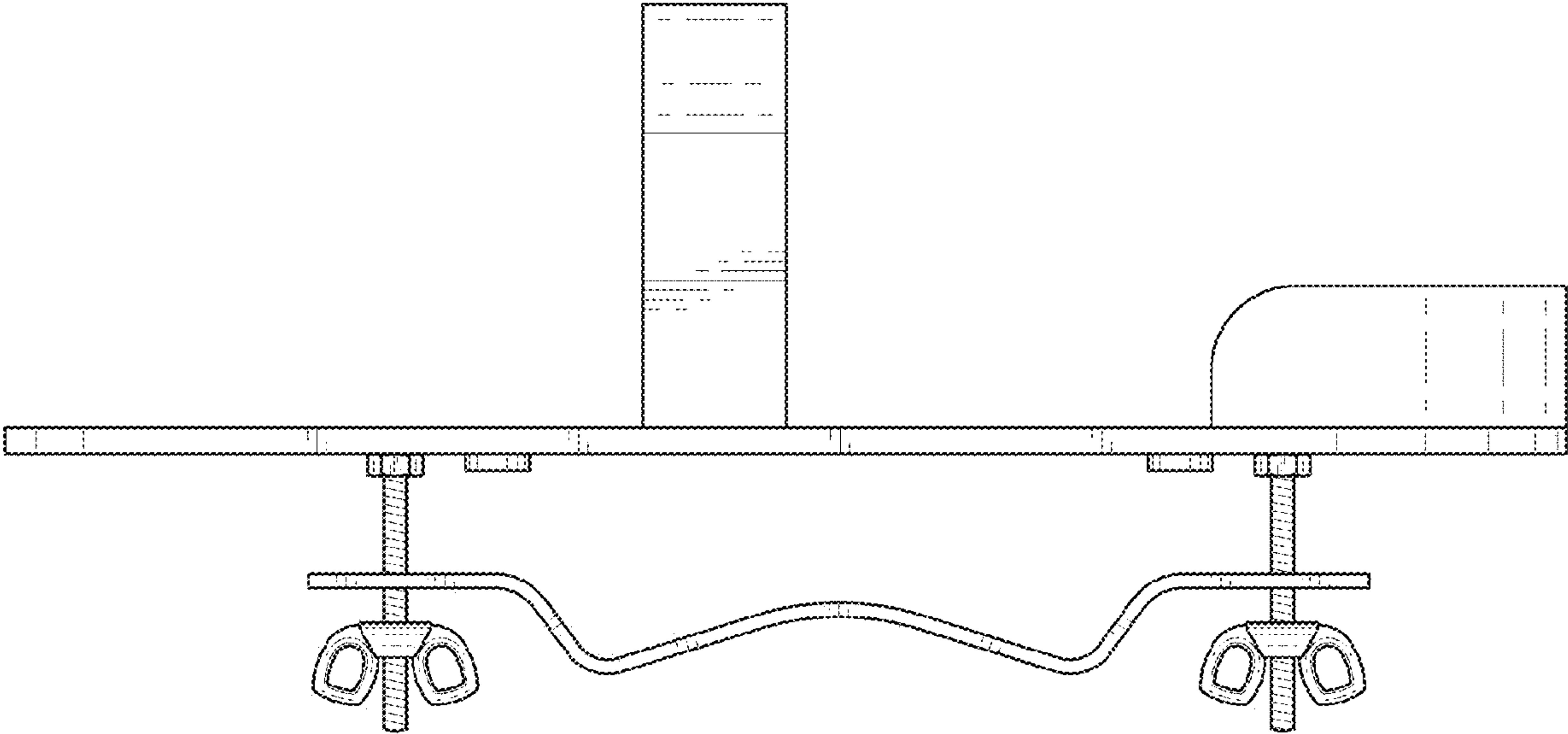


FIG. 3

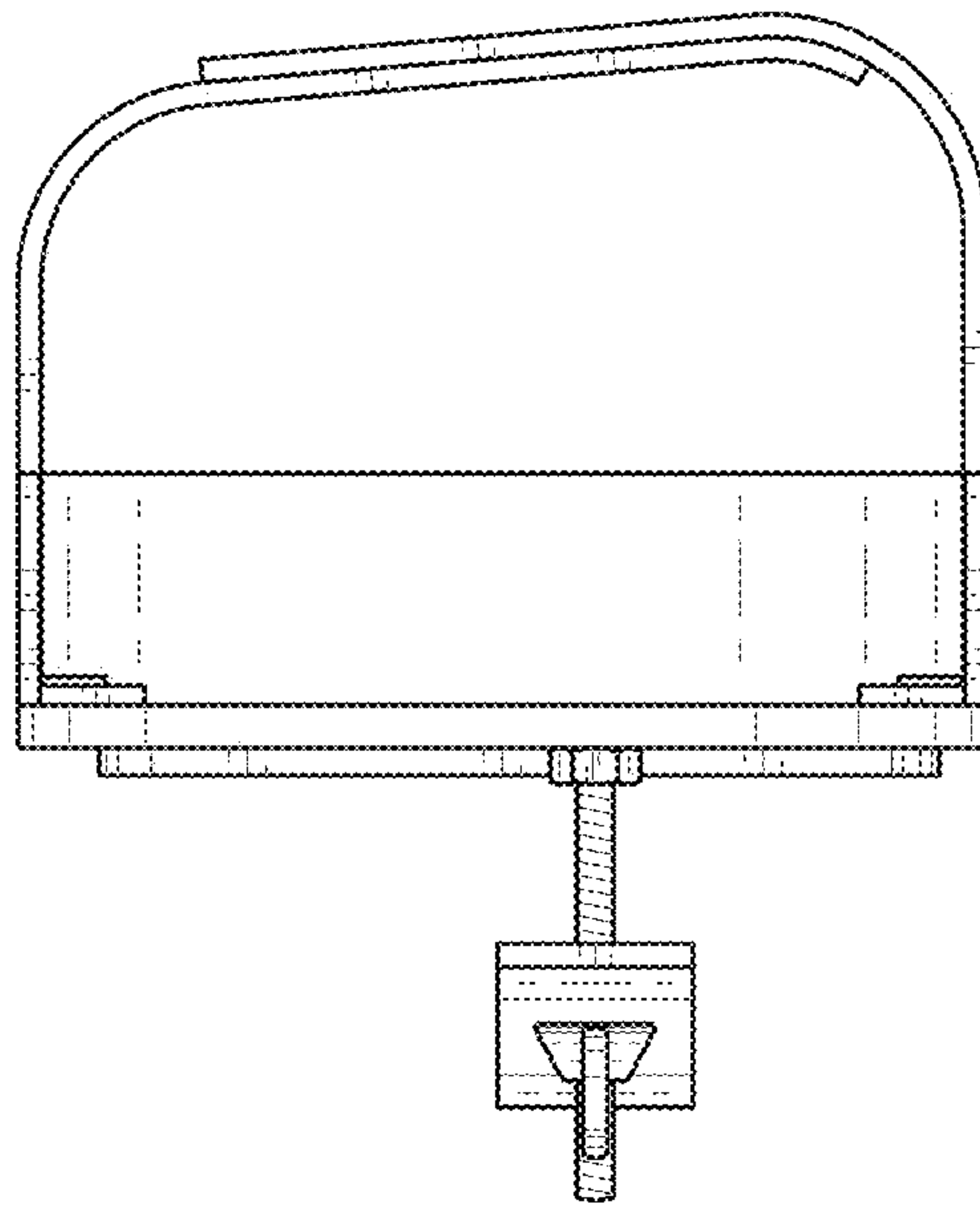


FIG. 4

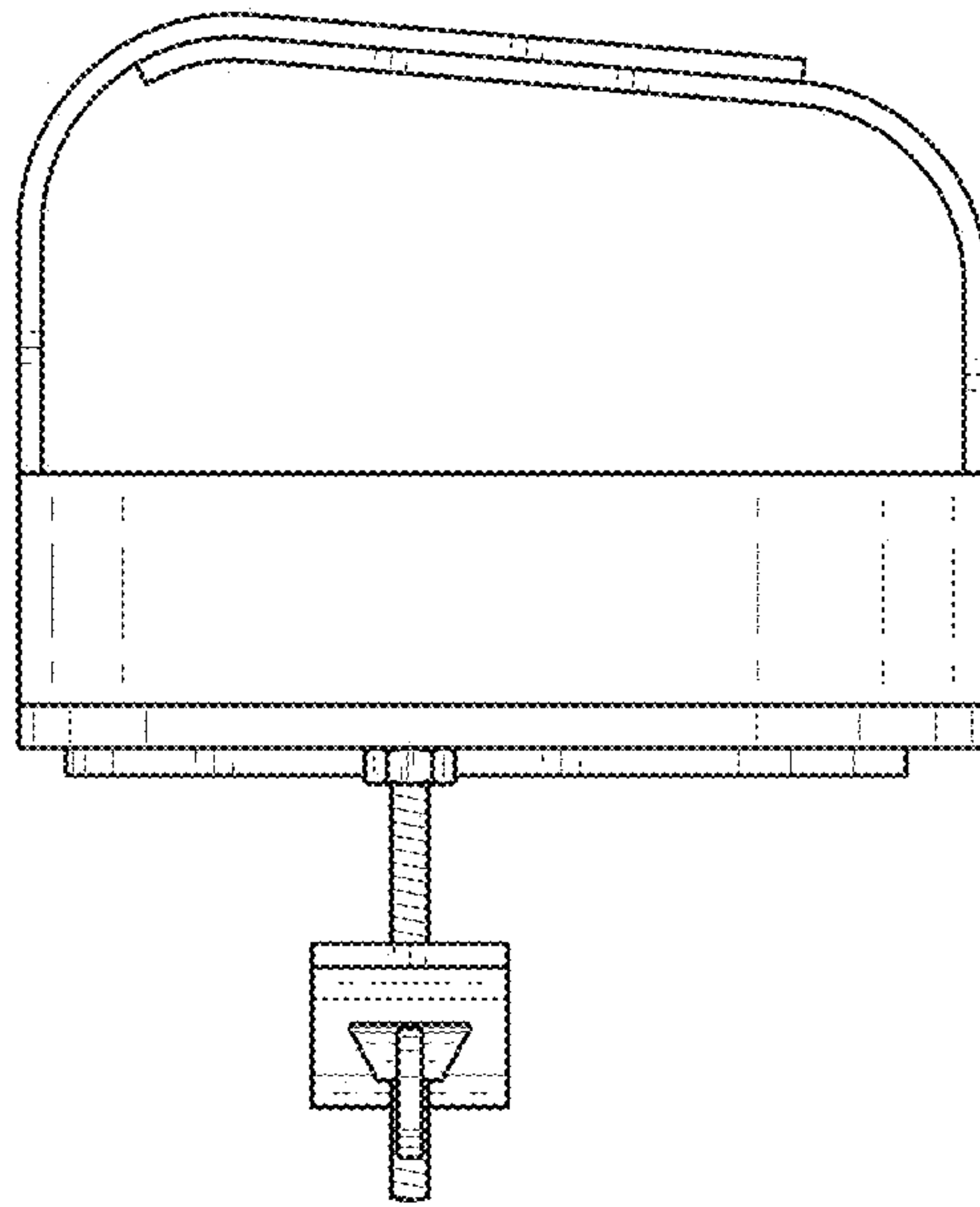


FIG. 5



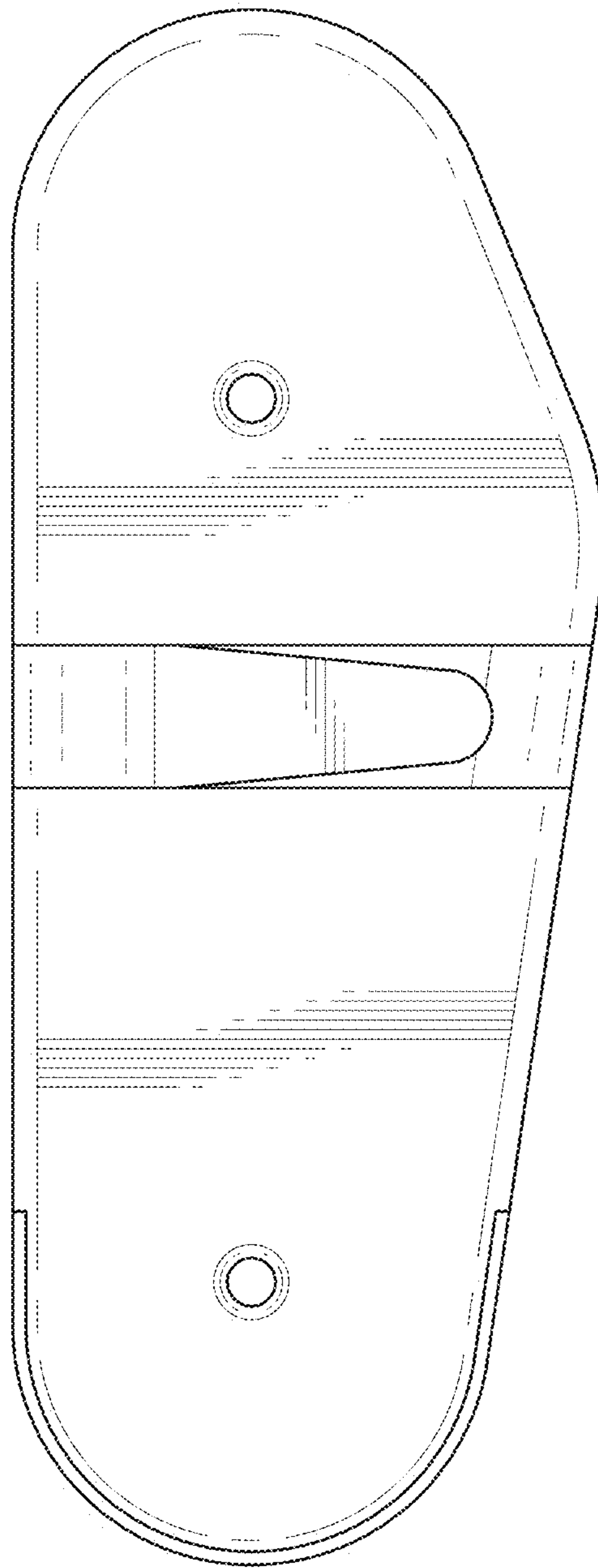


FIG. 6

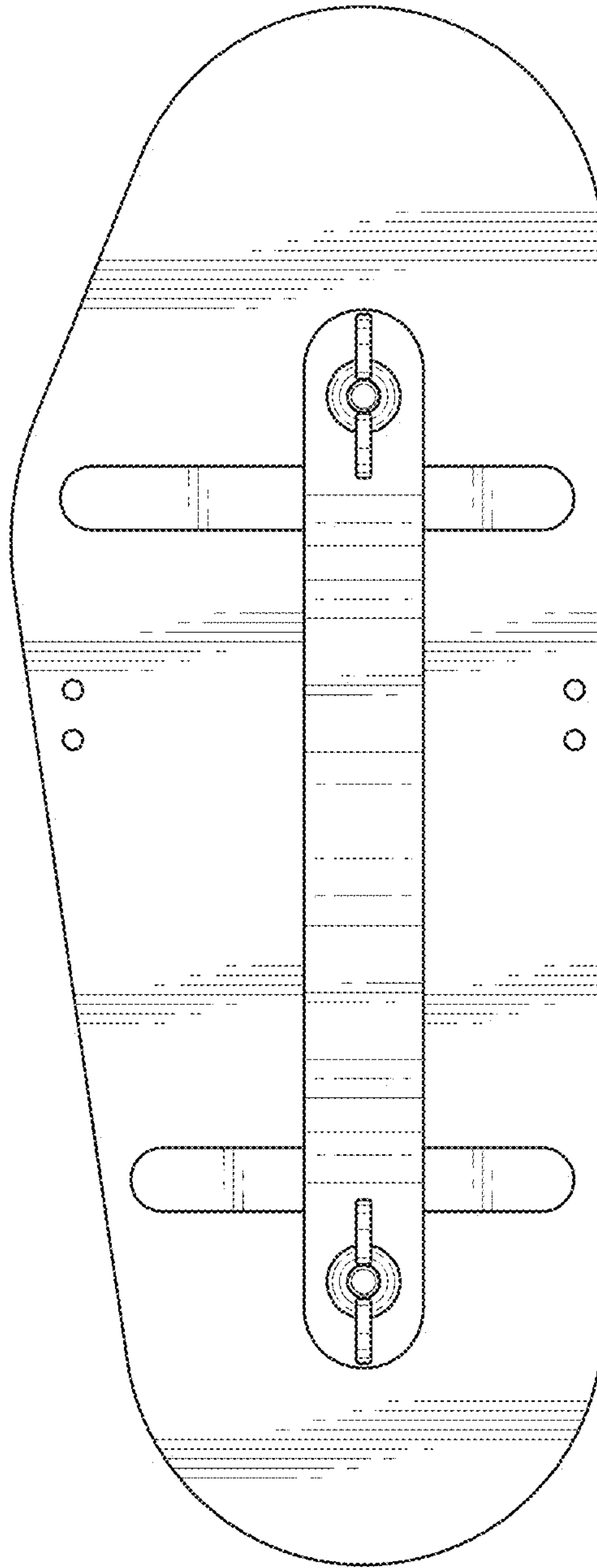


FIG. 7