



US00D962125S

(12) **United States Design Patent** (10) **Patent No.:** **US D962,125 S**
Manzoni (45) **Date of Patent:** **** Aug. 30, 2022**

(54) **AUTOMOBILE**

(71) Applicant: **FERRARI S.p.A.**, Modena (IT)

(72) Inventor: **Flavio Manzoni**, Modena (IT)

(73) Assignee: **FERRARI S.p.A.**, Modena (IT)

(**) Term: **15 Years**

(21) Appl. No.: **35/511,779**

(22) Filed: **Oct. 30, 2020**

(80) **Hague Agreement Data**

Int. Filing Date: **Oct. 30, 2020**

Int. Reg. No.: **DM/211140**

Int. Reg. Date: **Oct. 30, 2020**

Int. Reg. Pub. Date: **Apr. 30, 2021**

(30) **Foreign Application Priority Data**

Apr. 30, 2020 (EM) 007849245

(51) **LOC (13) Cl.** **12-08**

(52) **U.S. Cl.**
USPC **D12/92**

(58) **Field of Classification Search**
USPC D12/82, 86, 88, 90-92, 196; D21/424,
D21/433, 434, 533, 548-551
CPC B62D 25/00; B62D 25/06; B62D 33/00;
B62D 35/00; B62D 31/00; B62D 31/003;
B62D 47/00

See application file for complete search history.

(56) **References Cited**

U.S. PATENT DOCUMENTS

| | | | | |
|--------------|---------|------------|-------|--------|
| D745,439 S * | 12/2015 | Manzoni | | D12/92 |
| D825,387 S * | 8/2018 | Nurnberger | | D12/92 |
| D833,912 S * | 11/2018 | Manzoni | | D12/92 |
| D898,615 S * | 10/2020 | Manzoni | | D12/88 |
| D913,160 S * | 3/2021 | Nurnberger | | D12/92 |
| D941,189 S * | 1/2022 | Sheffield | | D12/92 |

* cited by examiner

Primary Examiner — Joseph Kukella

(74) *Attorney, Agent, or Firm* — Cowan, Liebowitz & Latman, P.C.; Anastasia Zhadina

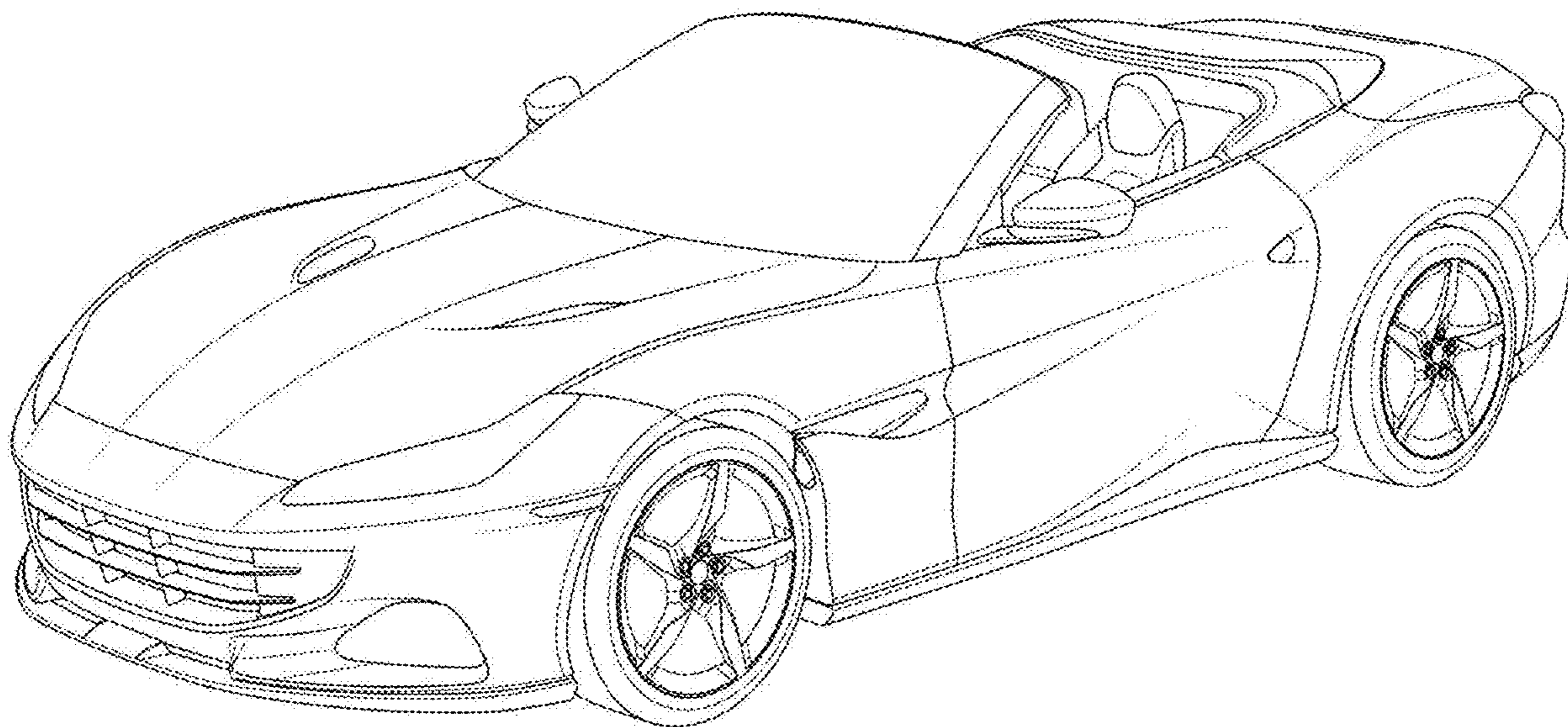
(57) **CLAIM**

The ornamental design for an automobile, as shown and described.

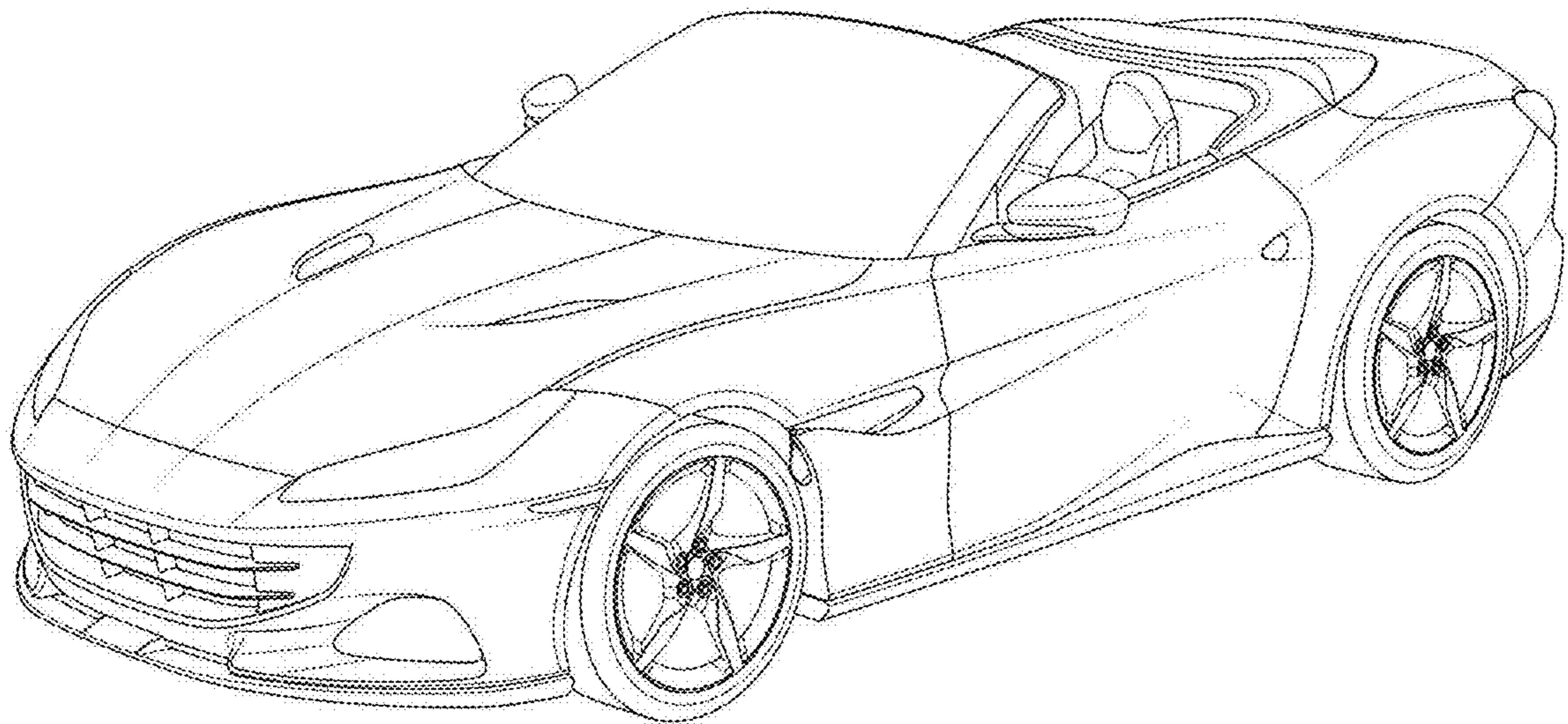
DESCRIPTION

- 1. Automobile
- 1.1 : Front perspective view
- 1.2 : Rear perspective view
- 1.3 : Front
- 1.4 : Lateral view
- 1.5 : Rear view
- 1.6 : Top plan view

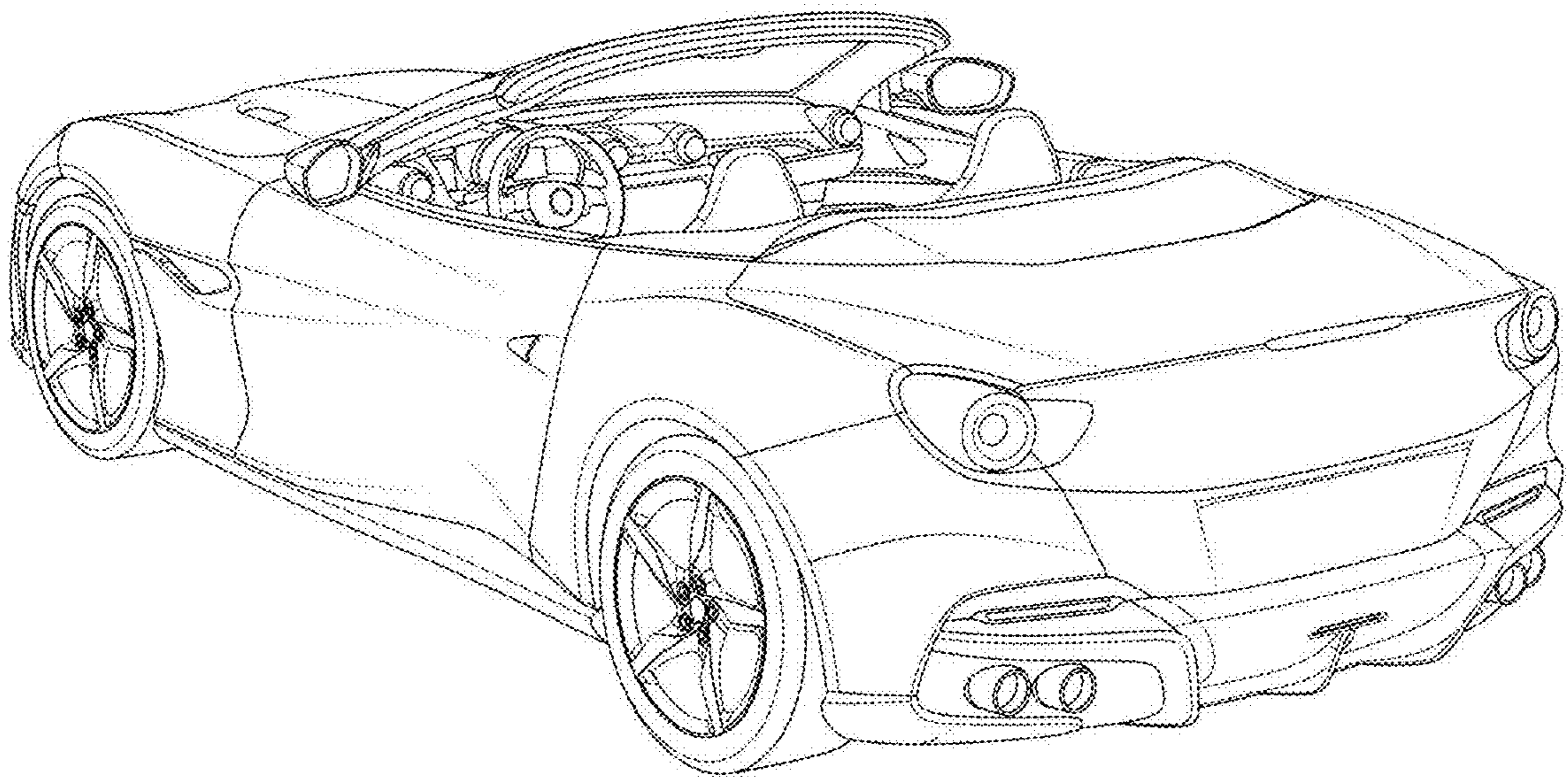
1 Claim, 6 Drawing Sheets



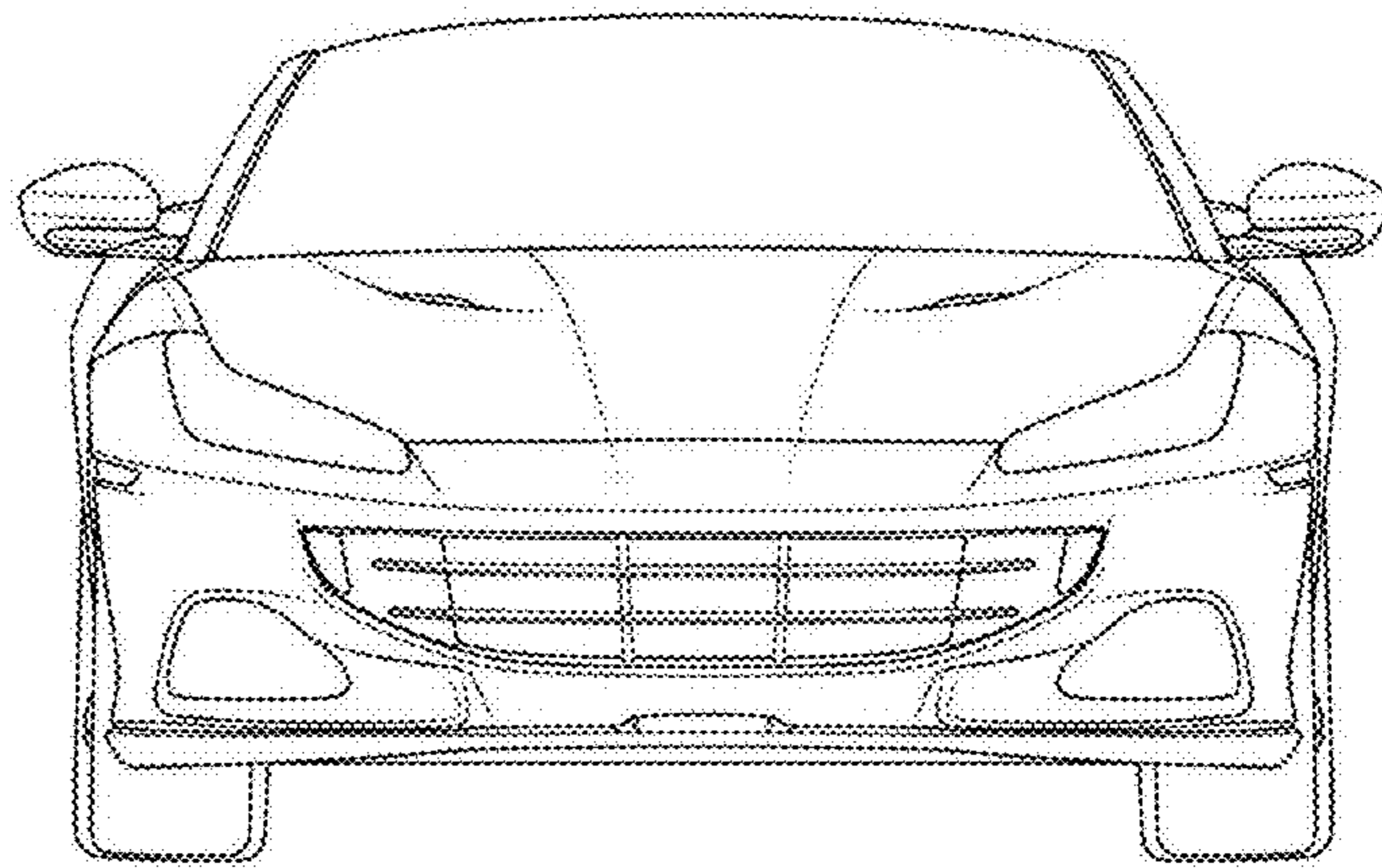
1.1



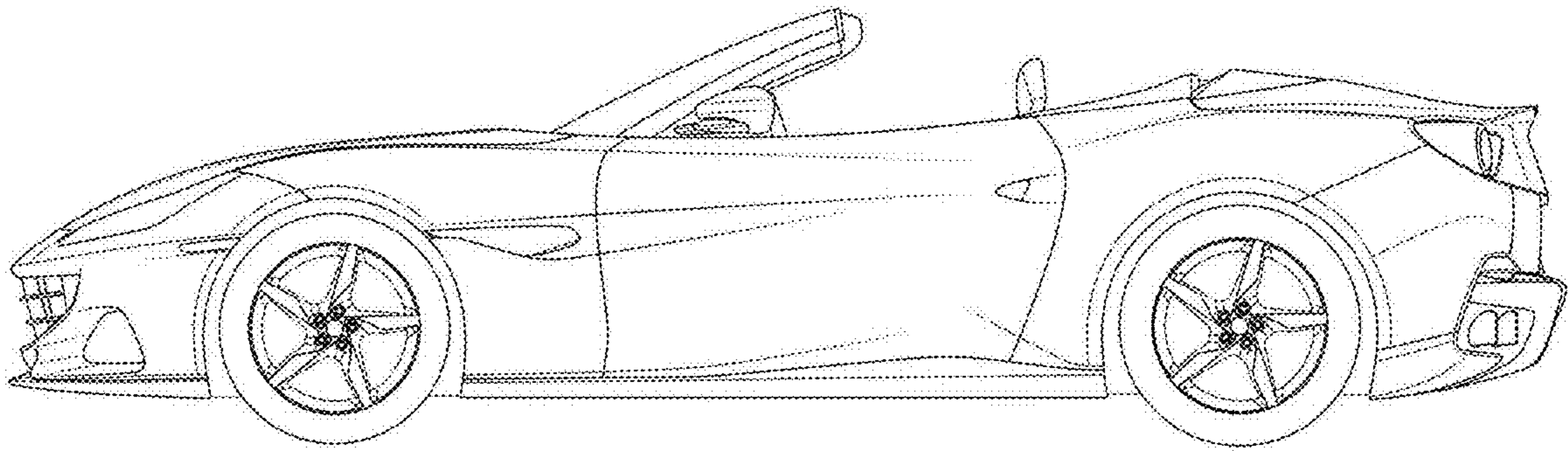
1.2



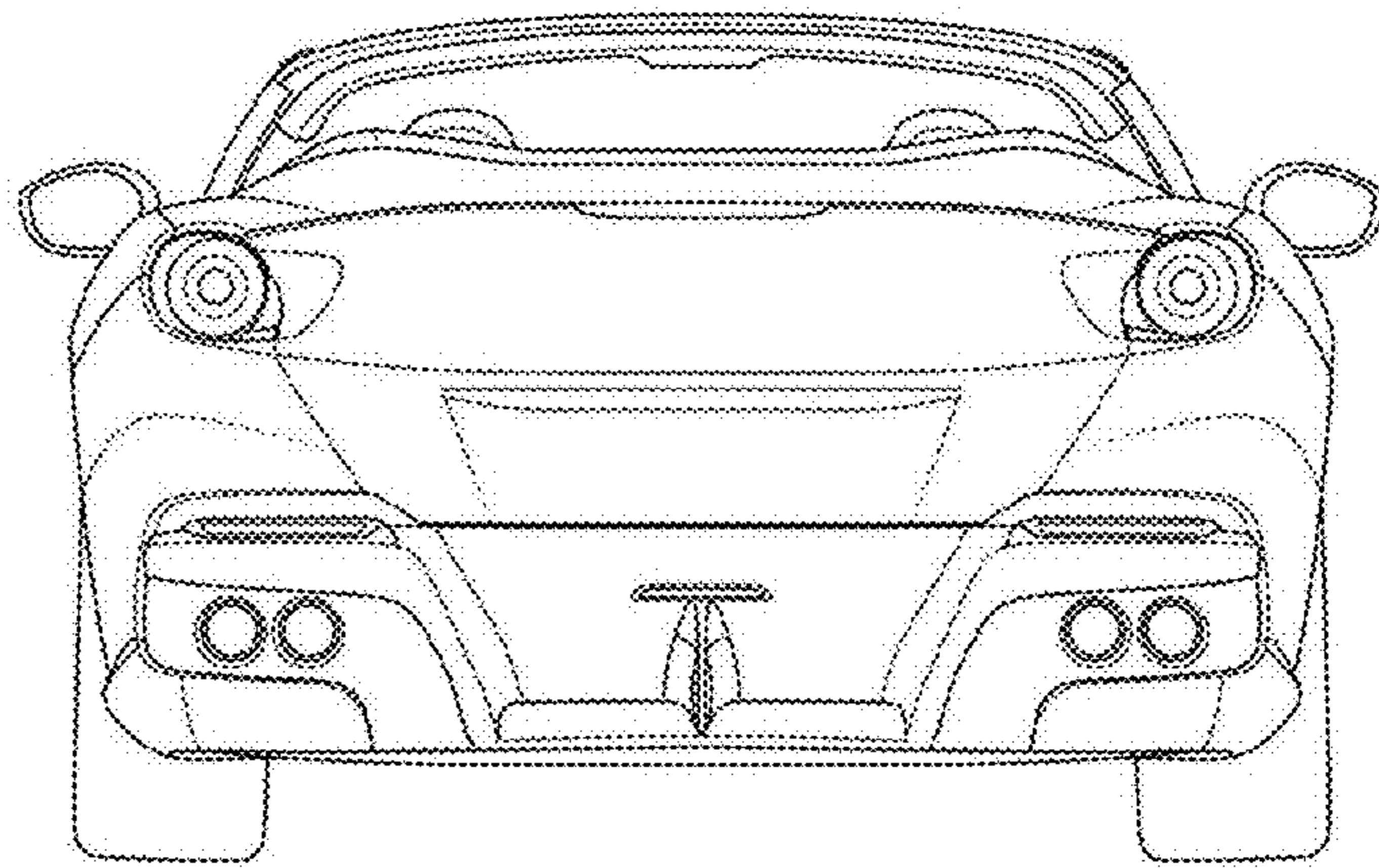
1.3



1.4



1.5



1.6

