



US00D962121S

(12) **United States Design Patent** (10) **Patent No.:** **US D962,121 S**
Steinhoff (45) **Date of Patent:** **** Aug. 30, 2022**

(54) **MOTOR VEHICLE, TOY REPLICA, AND/OR OTHER REPLICA**

(71) Applicant: **Bayerische Motoren Werke Aktiengesellschaft, Munich (DE)**

(72) Inventor: **Niels Joergen Steinhoff, Munich (DE)**

(73) Assignee: **Bayerische Motoren Werke Aktiengesellschaft, Munich (DE)**

(**) Term: **15 Years**

(21) Appl. No.: **29/764,965**

(22) Filed: **Jan. 5, 2021**

(30) **Foreign Application Priority Data**

Jul. 14, 2020 (DE) 402020100657.2

(51) **LOC (13) Cl.** **12-08**

(52) **U.S. Cl.**
USPC **D12/91**

(58) **Field of Classification Search**
USPC D12/86, 90-92, 88; D21/424, 433, 434, D21/533; 296/181.1-181.5, 183.1
CPC B62D 25/00; B62D 25/06; B62D 33/00; B62D 35/00
See application file for complete search history.

(56) **References Cited**

U.S. PATENT DOCUMENTS

D409,262 S 5/1999 Stephenson
D490,019 S * 5/2004 Sakae D12/91
D504,087 S * 4/2005 Hakamata D12/91

D513,716 S * 1/2006 Acampora D12/91
D540,714 S * 4/2007 Mueller-Stolz D12/91
D598,810 S * 8/2009 Jang D12/91
D626,455 S * 11/2010 Syring D12/92
D670,607 S * 11/2012 Buckingham D12/92
D738,786 S * 9/2015 Mueller-Stolz D12/91
D745,437 S * 12/2015 Goepfel D12/92
D759,542 S * 6/2016 Goepfel D12/91
D762,523 S * 8/2016 Schneider D12/91
D813,097 S * 3/2018 Szavits D12/91
D826,782 S * 8/2018 Goepfel D12/91

FOREIGN PATENT DOCUMENTS

DE M9802376-0001 11/1998
EM 000482419-0005 10/2006
EM 002449447-0001 5/2016

* cited by examiner

Primary Examiner — Melody N Brown

(74) *Attorney, Agent, or Firm* — Crowell & Moring LLP

(57) **CLAIM**

The ornamental design for a motor vehicle, toy replica and/or other replica, as shown and described.

DESCRIPTION

FIG. 1 is a left, front perspective view of a motor vehicle, toy replica and/or other replica showing my new design;
FIG. 2 is a left side view thereof;
FIG. 3 is a right side view thereof;
FIG. 4 is a right, rear perspective view thereof;
FIG. 5 is a front view thereof;
FIG. 6 is rear view thereof; and,
FIG. 7 is a top view thereof.

1 Claim, 7 Drawing Sheets

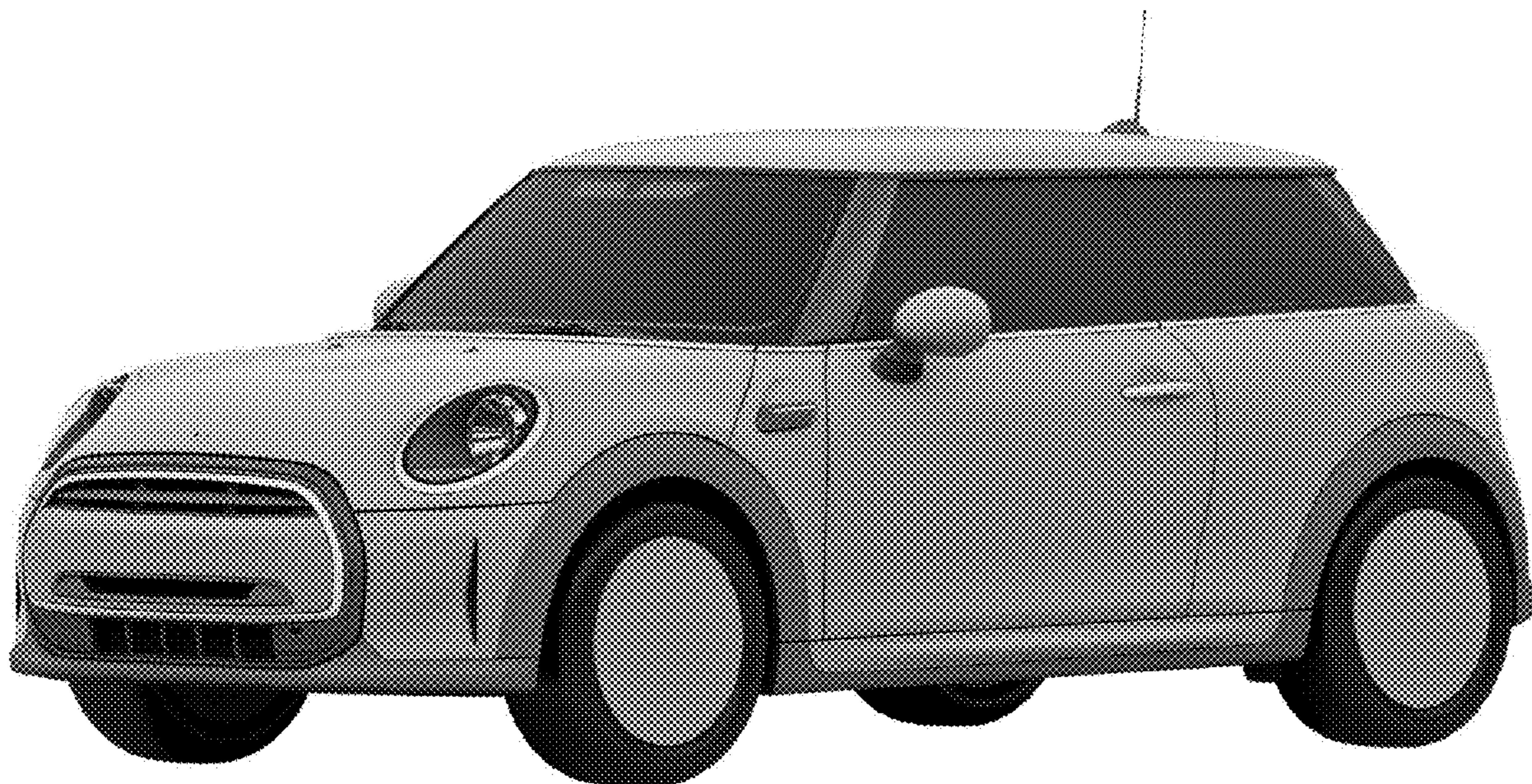




Fig. 1

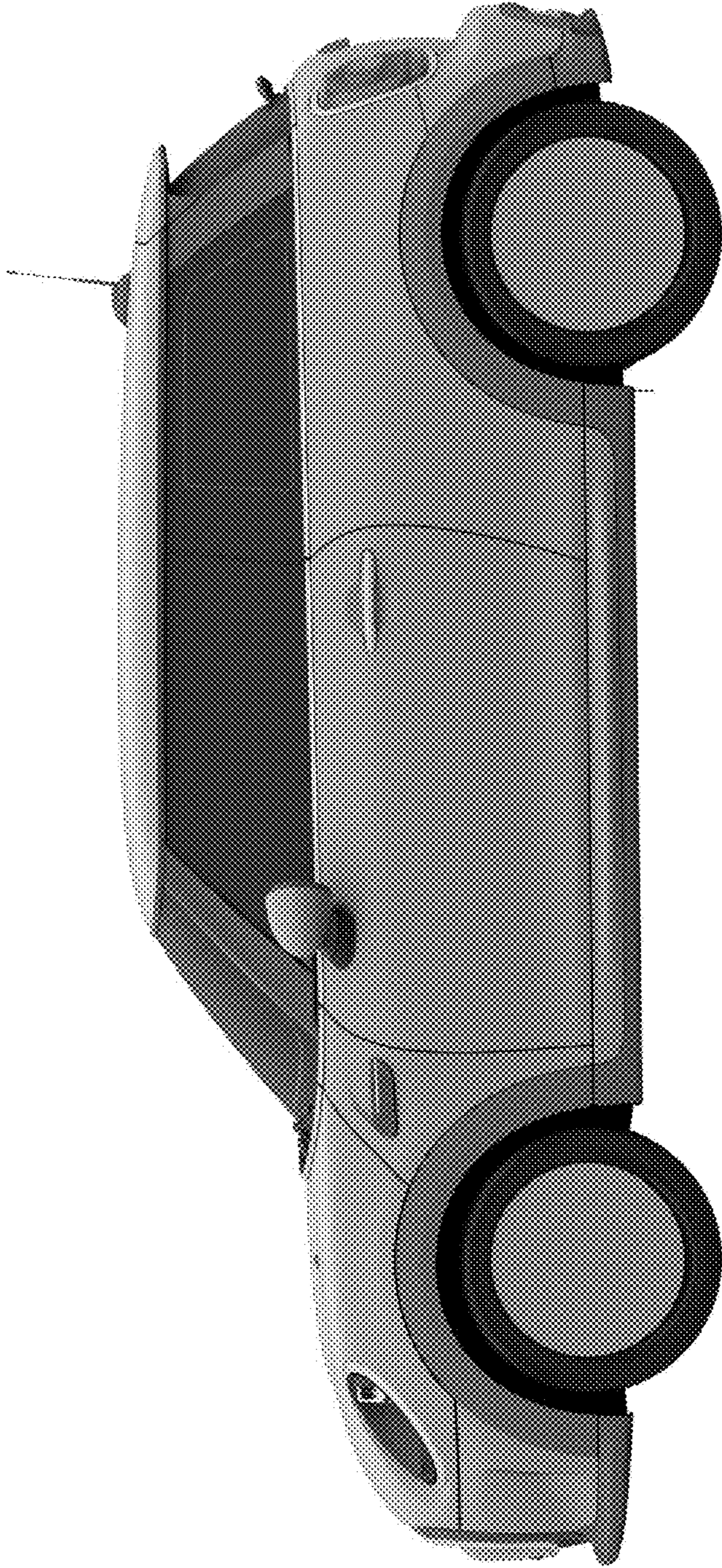


Fig. 2



Fig. 3



Fig. 4

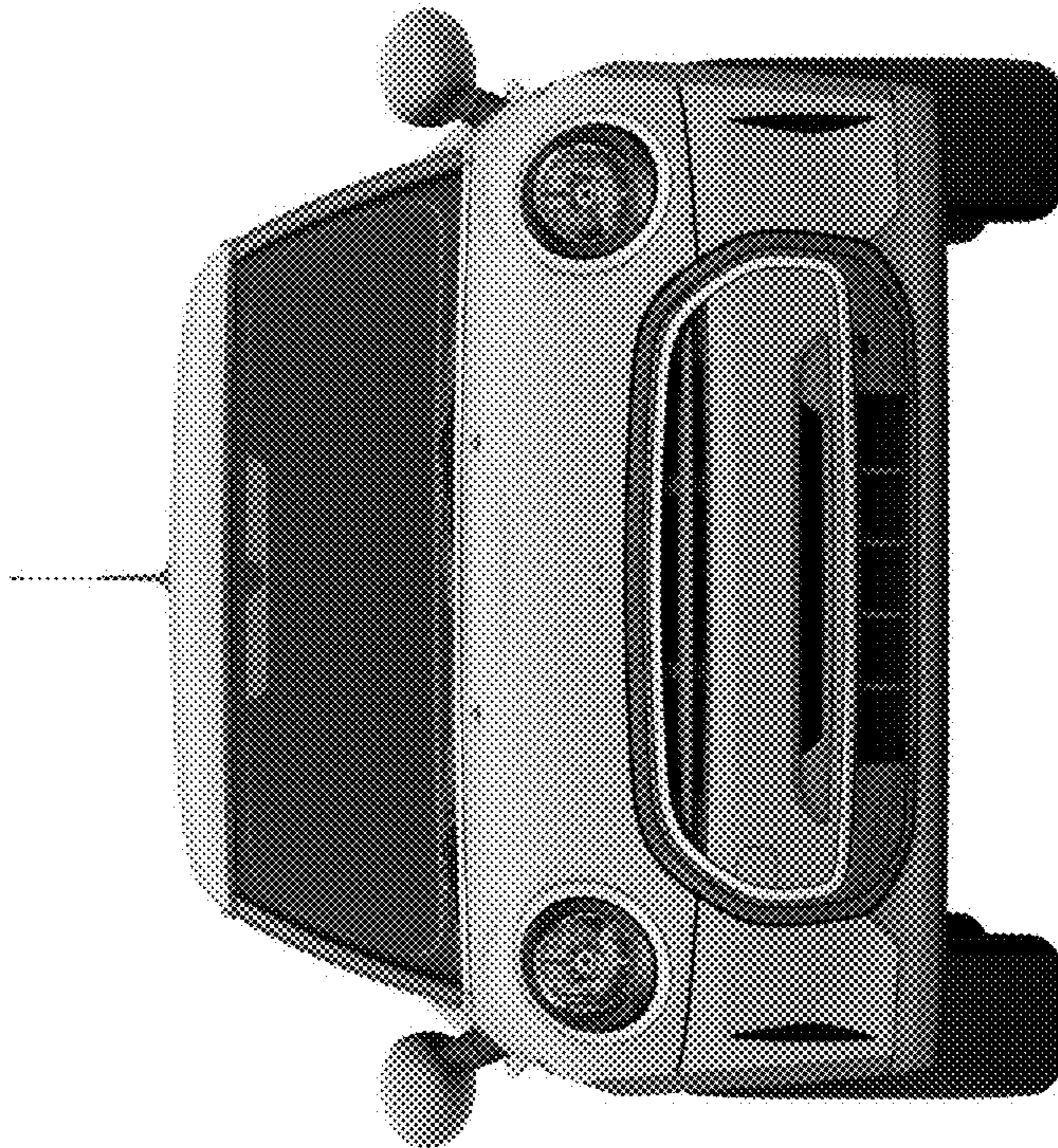


Fig. 5

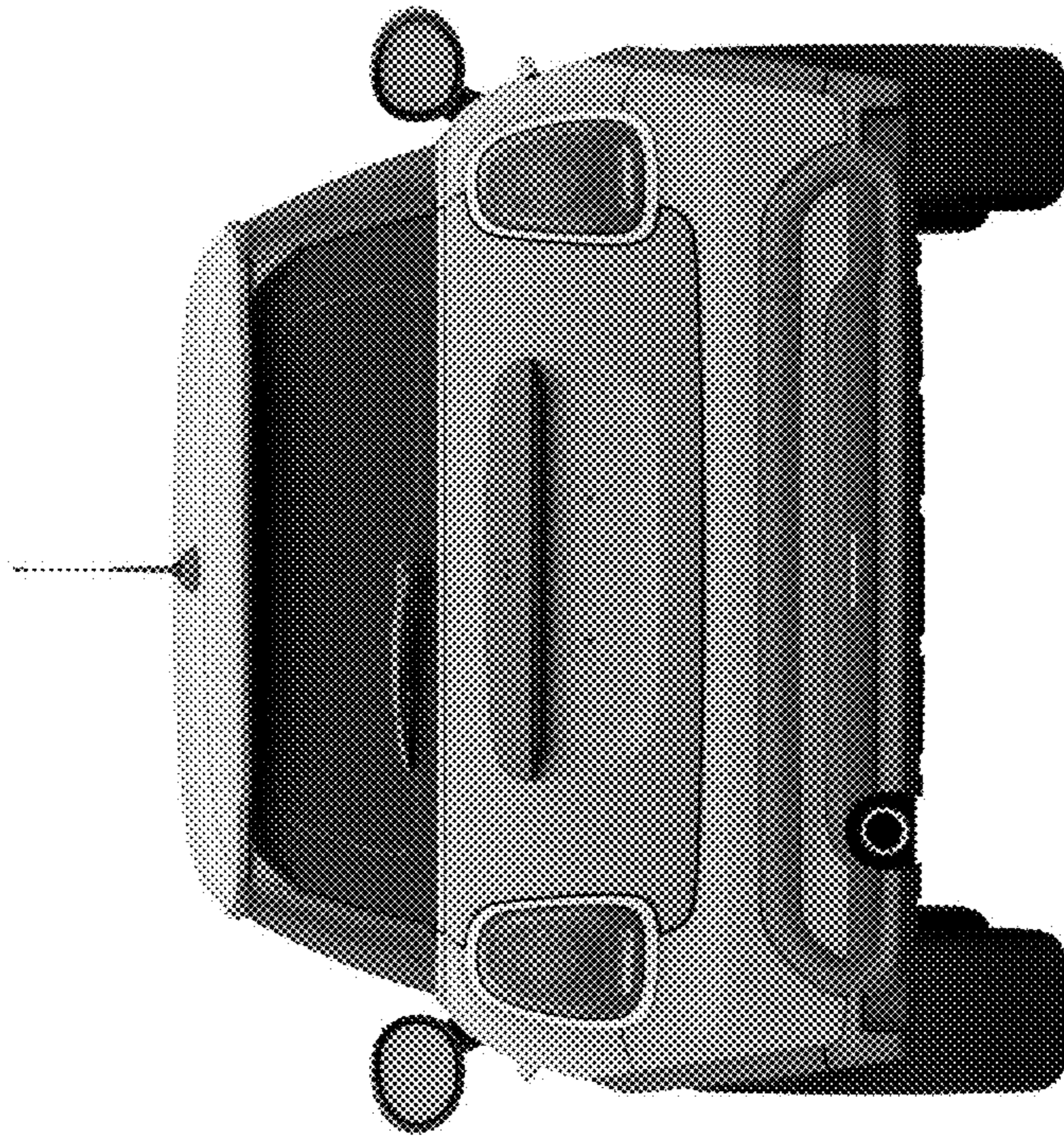


Fig. 6



Fig. 7