



US00D962117S

(12) **United States Design Patent**
Paik et al.

(10) **Patent No.:** **US D962,117 S**

(45) **Date of Patent:** **** Aug. 30, 2022**

(54) **CLIP BUCKLE**

(71) Applicant: **WOJIN PLASTIC Co., Ltd.**,
Namyangju-si (KR)

(72) Inventors: **Ji Sook Paik**, Seoul (KR); **Nan Hee Paik**, Seoul (KR); **Ji Hye Paik**, Seoul (KR); **Ji Won Son**, Seoul (KR)

(73) Assignee: **WOJIN PLASTIC Co., Ltd.**,
Namyangju-si (KR)

(**) Term: **15 Years**

(21) Appl. No.: **29/704,340**

(22) Filed: **Sep. 4, 2019**

(30) **Foreign Application Priority Data**

Mar. 5, 2019 (KR) 30-2019-0009632

(51) **LOC (13) Cl.** **02-07**

(52) **U.S. Cl.**
USPC **D11/200; D11/218**

(58) **Field of Classification Search**
USPC D11/200, 206, 215, 216, 218; D8/383,
D8/394; D3/216, 243; D2/626, 640
CPC .. A44B 6/00; A44B 9/18; A44B 11/00; A44B
11/006; A44B 11/008; A44B 11/02; A44B
11/06; A44B 11/065; A44B 11/16
See application file for complete search history.

(56) **References Cited**

U.S. PATENT DOCUMENTS

D45,239 S * 2/1914 Peterson D11/218
1,513,847 A * 11/1924 Montan A44B 11/02
24/200
4,038,726 A * 8/1977 Takabayashi A44B 11/06
24/186
5,706,560 A * 1/1998 Anscher A45F 5/02
24/30.5 R

D616,332 S * 5/2010 Anscher D11/216
D728,197 S * 5/2015 Paik D2/641
D735,074 S * 7/2015 Paik D11/200
D782,362 S * 3/2017 Sumroy D11/216
D925,396 S * 7/2021 Paik A44B 11/02
D11/216
D949,662 S * 4/2022 Paik A44B 11/06
D8/333

OTHER PUBLICATIONS

Safety QA Loop, no date available, online, site visited Jun. 2, 2022.
Retrieved from url:http://www.wojinplastic.com/kr/product/view.php?idx=637&part1_idx=121&part_idx=137 (Year: 2022).*

* cited by examiner

Primary Examiner — Tracey J Bell

(74) *Attorney, Agent, or Firm* — Paratus Law Group,
PLLC

(57) **CLAIM**

The ornamental design for a clip buckle, as shown and described.

DESCRIPTION

FIG. 1 is a front, top and right perspective view of a clip buckle showing claimed design;
FIG. 2 is a front view thereof;
FIG. 3 is a back view thereof;
FIG. 4 is a left side view thereof;
FIG. 5 is a right side view thereof;
FIG. 6 is a top view thereof;
FIG. 7 is a bottom view thereof;
FIG. 8 is a cross-sectional view taken along line 8-8 shown in FIG. 2; and,
FIG. 9 is a perspective view thereof in a state that an upper portion thereof is open in use.

1 Claim, 3 Drawing Sheets

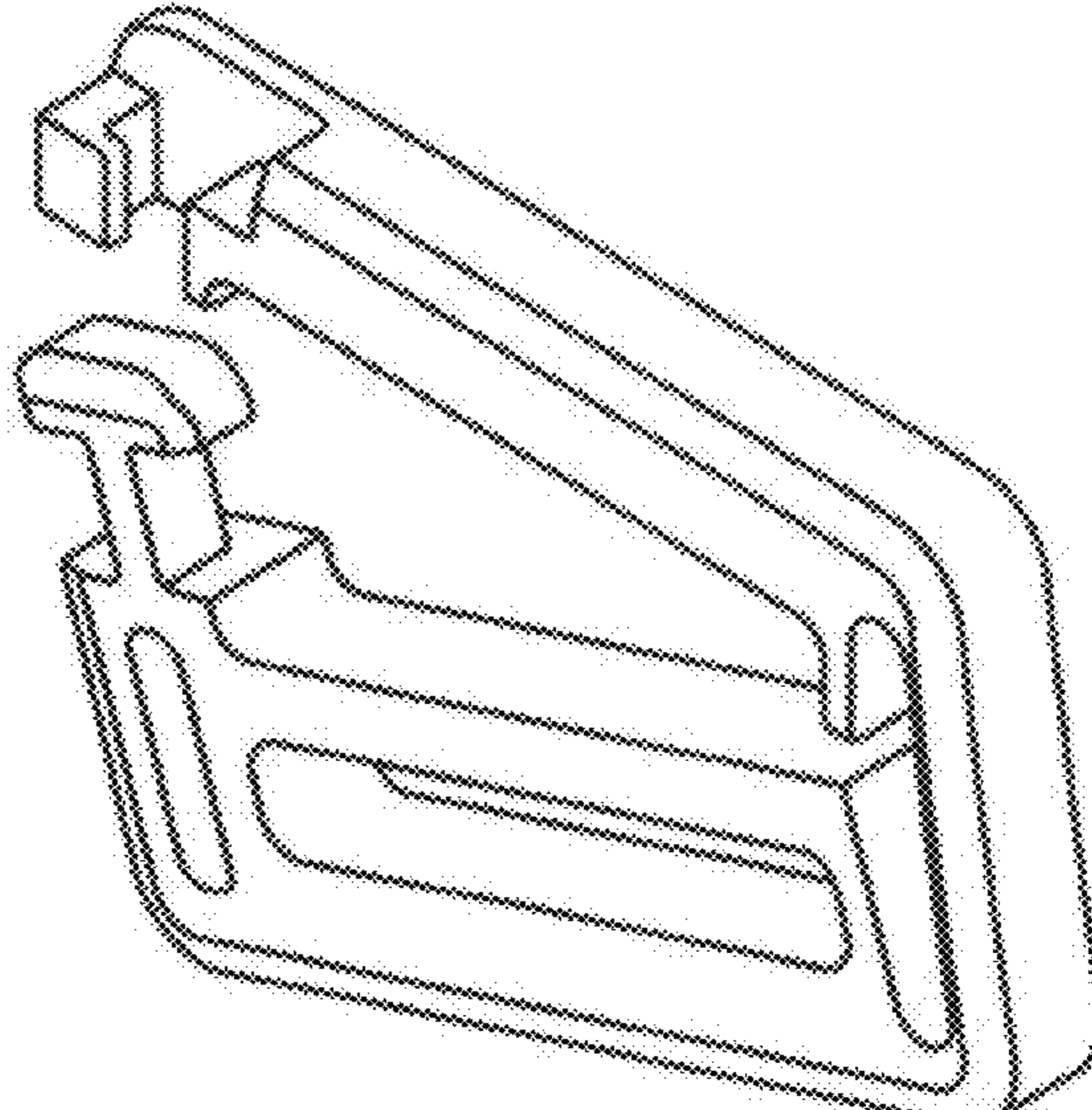
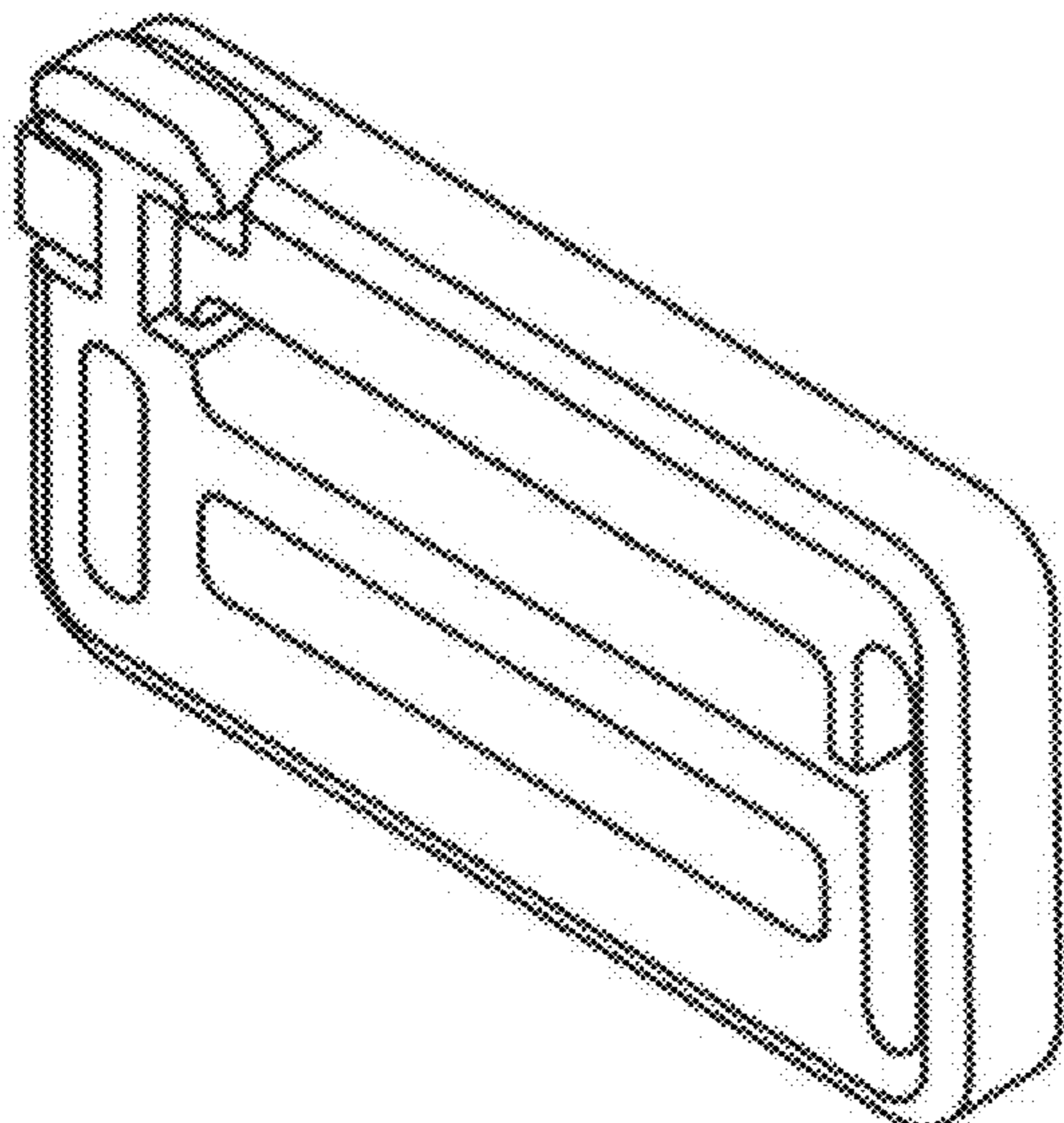


FIG. 1

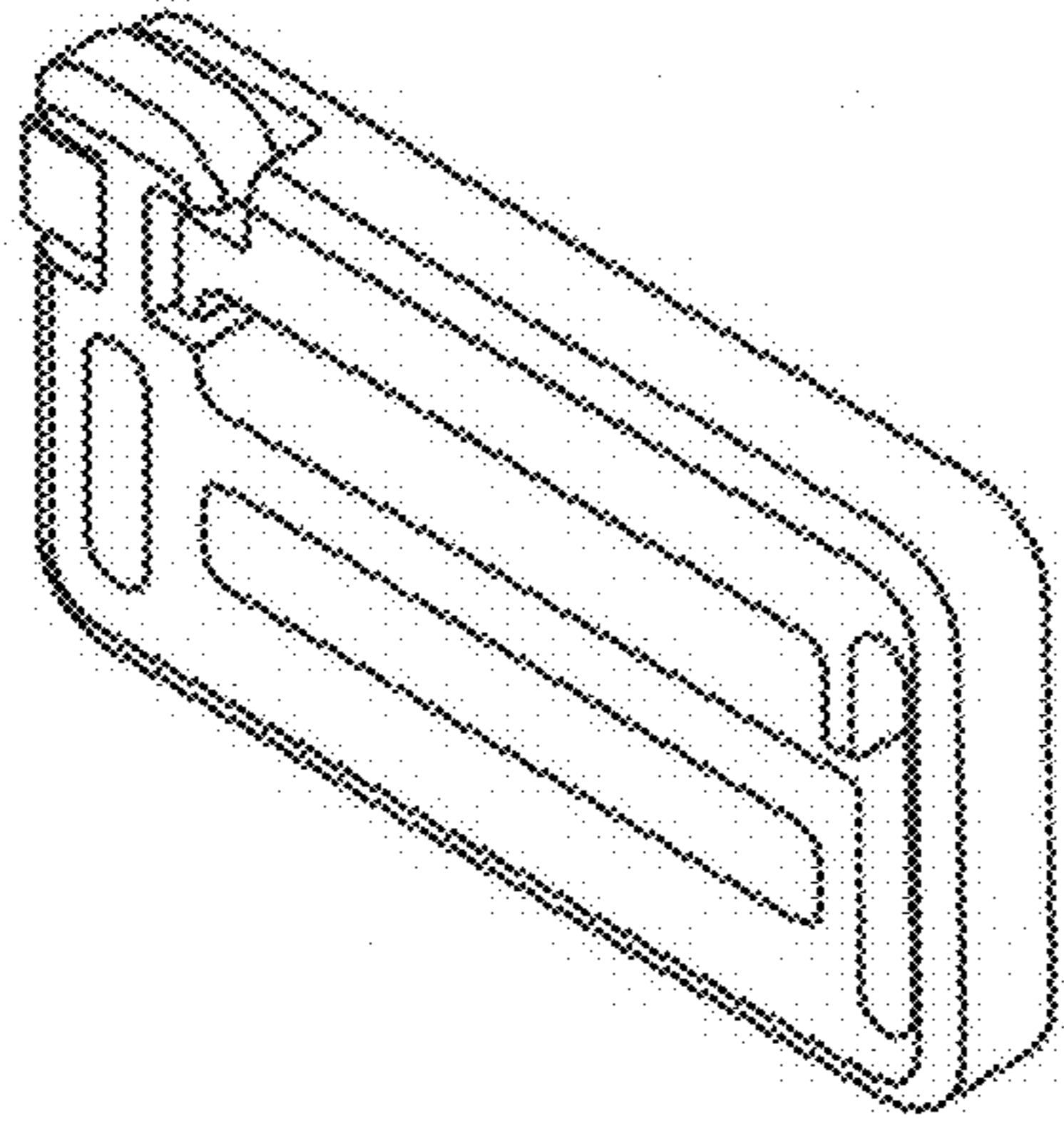


FIG. 2

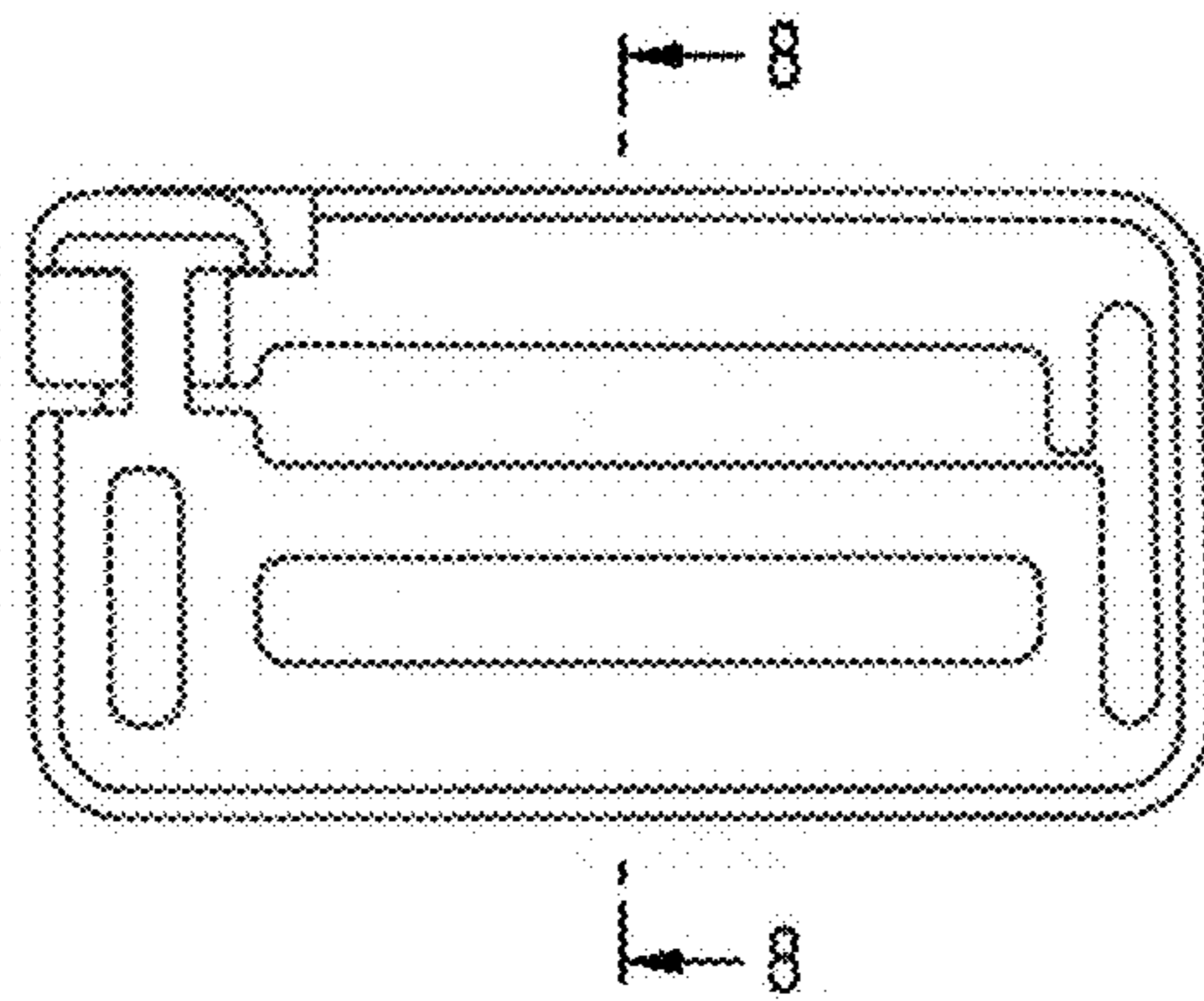


FIG. 3

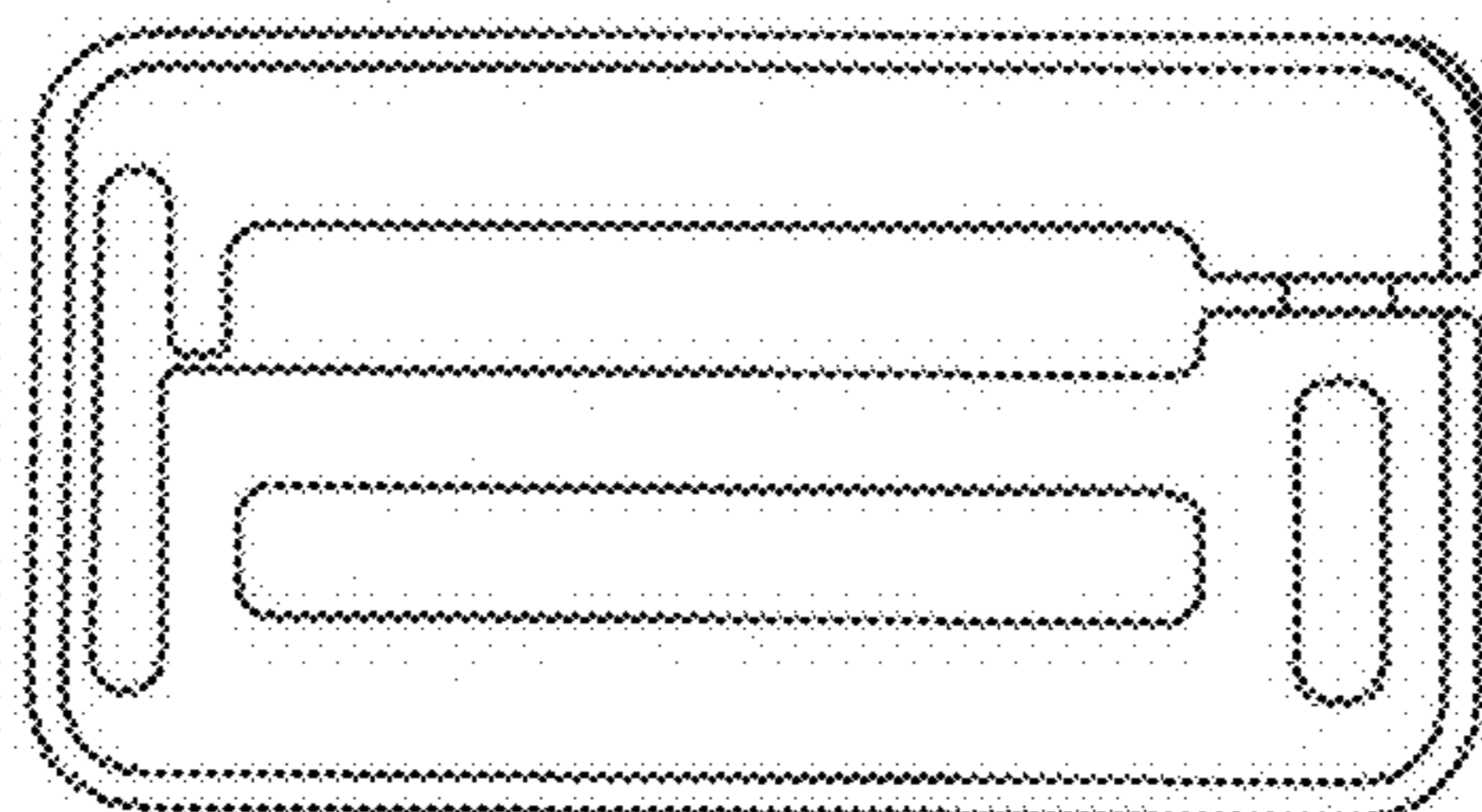


FIG. 4

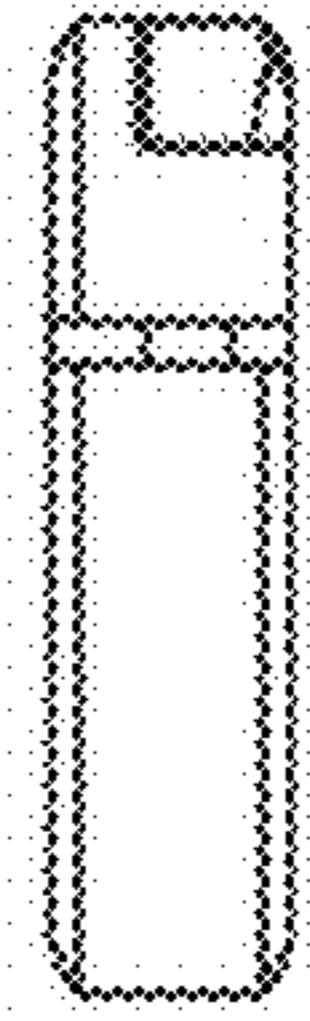


FIG. 5



FIG. 6



FIG. 7

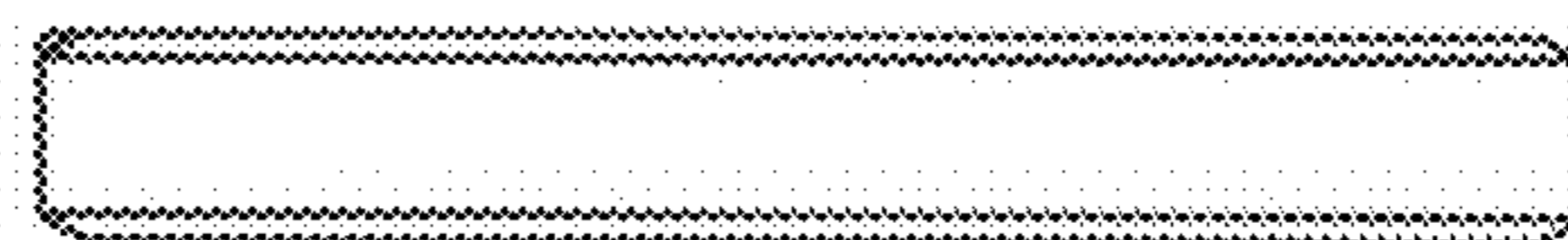


FIG. 8

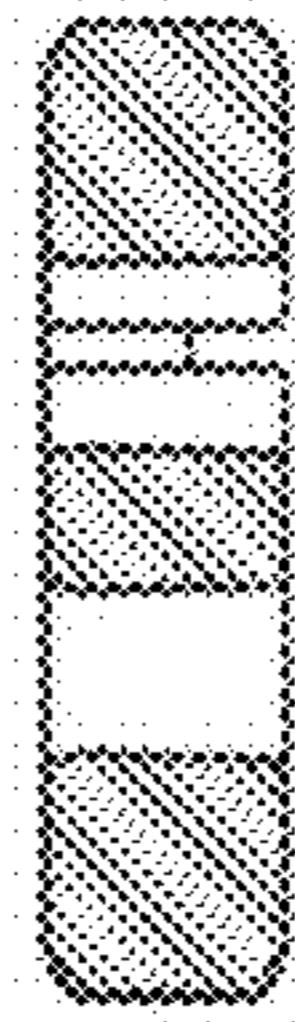


FIG. 9

