

US00D962114S

(12) **United States Design Patent** (10) **Patent No.:** **US D962,114 S**
Lee (45) **Date of Patent:** **** Aug. 30, 2022**

(54) **PAIR OF EARRINGS**
(71) Applicant: **Bucherer AG**, Lucerne (CH)
(72) Inventor: **Yunjo Lee**, Jersey City, NJ (US)
(73) Assignee: **Bucherer AG**, Lucerne (CH)
(**) Term: **15 Years**
(21) Appl. No.: **29/773,718**
(22) Filed: **Mar. 11, 2021**

D556,079 S 11/2007 Mouclier
D564,993 S 3/2008 Hardy
D566,606 S 4/2008 Hardy
D603,289 S * 11/2009 Lebail D11/43
D662,437 S 6/2012 Verdeille
D666,521 S * 9/2012 Yakubovich D11/91
D684,085 S * 6/2013 Papadimitriou D11/42
8,584,329 B2 * 11/2013 Dhakka A44C 17/046
D11/91
D704,086 S 5/2014 DiPietro
D705,693 S * 5/2014 Thompson D11/41
(Continued)

Related U.S. Application Data

(62) Division of application No. 29/648,804, filed on May 24, 2018, now Pat. No. Des. 928,016.

Foreign Application Priority Data

Nov. 27, 2017 (WO) DM/098757

(51) **LOC (13) Cl.** **11-01**

(52) **U.S. Cl.**
USPC **D11/43**

(58) **Field of Classification Search**
USPC D11/1, 26, 27, 34-39, 40, 41, 43, 79, 86,
D11/91, 92
CPC A44C 17/02; A44C 7/00; A44C 7/001;
A44C 7/003
See application file for complete search history.

References Cited

U.S. PATENT DOCUMENTS

D379,601 S * 6/1997 Itzkowitz D11/40
D440,178 S 4/2001 Lavayssiere
D440,179 S 4/2001 Morelle
D505,637 S 5/2005 Lev Sercarz
D534,454 S 1/2007 Karachi-Langane

Primary Examiner — Llorellys Martinez
(74) *Attorney, Agent, or Firm* — Leydig, Voit & Mayer, Ltd.

CLAIM

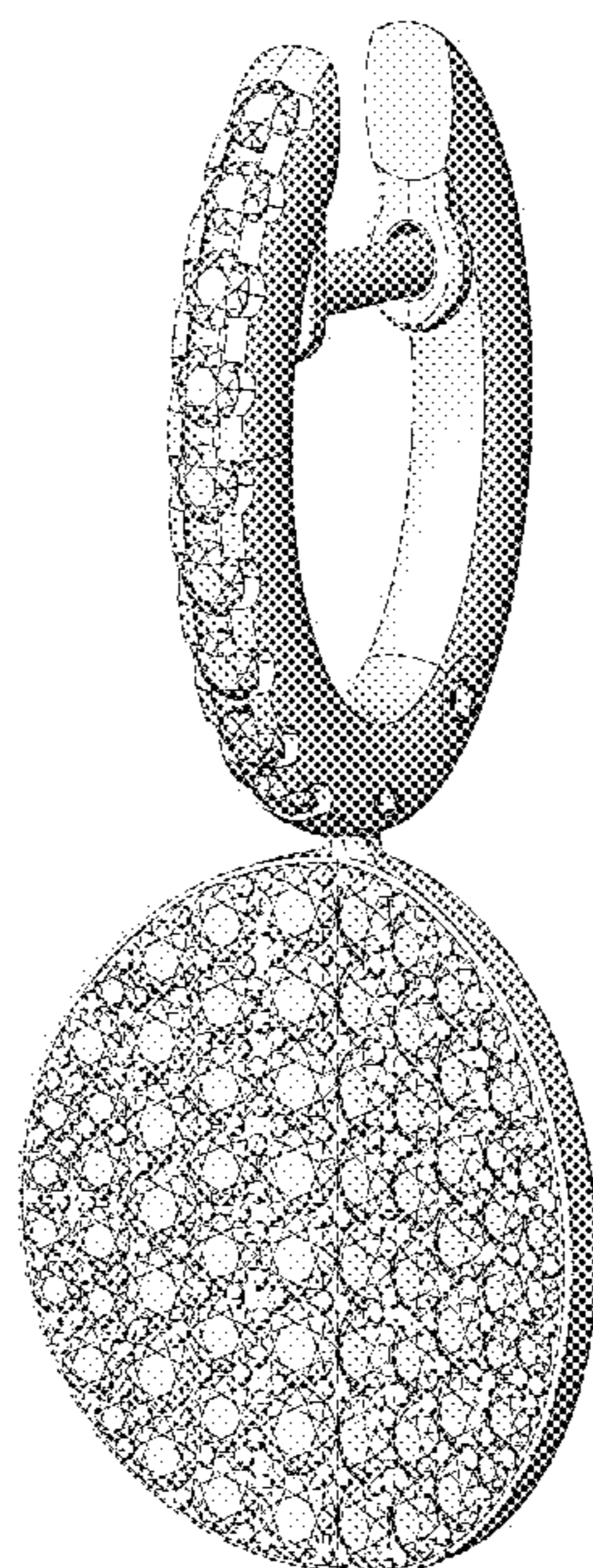
(57) The ornamental design for a pair of earrings, as shown and described.

DESCRIPTION

FIG. 1 is a front elevation view of the first earring of a pair of earrings, showing my new design.
FIG. 2 is a front perspective view of the earring of FIG. 1.
FIG. 3 is a back perspective view of the earring of FIG. 1.
FIG. 4 is a top plan view of the earring of FIG. 1.
FIG. 5 is a left side elevation view of the earring of FIG. 1.
FIG. 6 is a front elevation view of the second earring of the pair of earrings, showing my new design.
FIG. 7 is a front perspective view of the earring of FIG. 6.
FIG. 8 is a back perspective view of the earring of FIG. 6.
FIG. 9 is a top plan view of the earring of FIG. 6; and,
FIG. 10 is a left side elevation view of the earring of FIG. 6.

The broken lines outlines surrounding the relatively lighter surfaces in the drawings represent portions of the pair of earrings that form no part of the claimed design.

1 Claim, 10 Drawing Sheets



(56)

References Cited

U.S. PATENT DOCUMENTS

D708,541	S	7/2014	Norendzayan	
D725,544	S	3/2015	Yatsugi-Kang	
D788,630	S	6/2017	Zander	
D788,732	S	6/2017	Choe et al.	
D789,235	S	6/2017	Krainz	
D809,956	S	2/2018	Kornerup et al.	
D813,077	S	3/2018	Noble	
D816,534	S	5/2018	Barouch et al.	
D820,141	S	6/2018	Korhammer et al.	
D820,715	S	6/2018	Le Bail	
D876,273	S *	2/2020	Lee	D11/41
D883,841	S *	5/2020	Lee	D11/34
D900,664	S	11/2020	Gad	
D900,665	S	11/2020	Gad	
D900,666	S	11/2020	Gad	
D900,667	S	11/2020	Gad	
2016/0106186	A1	4/2016	Noble	
2017/0317705	A1	11/2017	Duneier et al.	
2018/0020788	A1 *	1/2018	Parikh	A44C 13/00 63/15
2018/0035767	A1	2/2018	Benhamou	
2018/0125182	A1	5/2018	Barouch et al.	

* cited by examiner

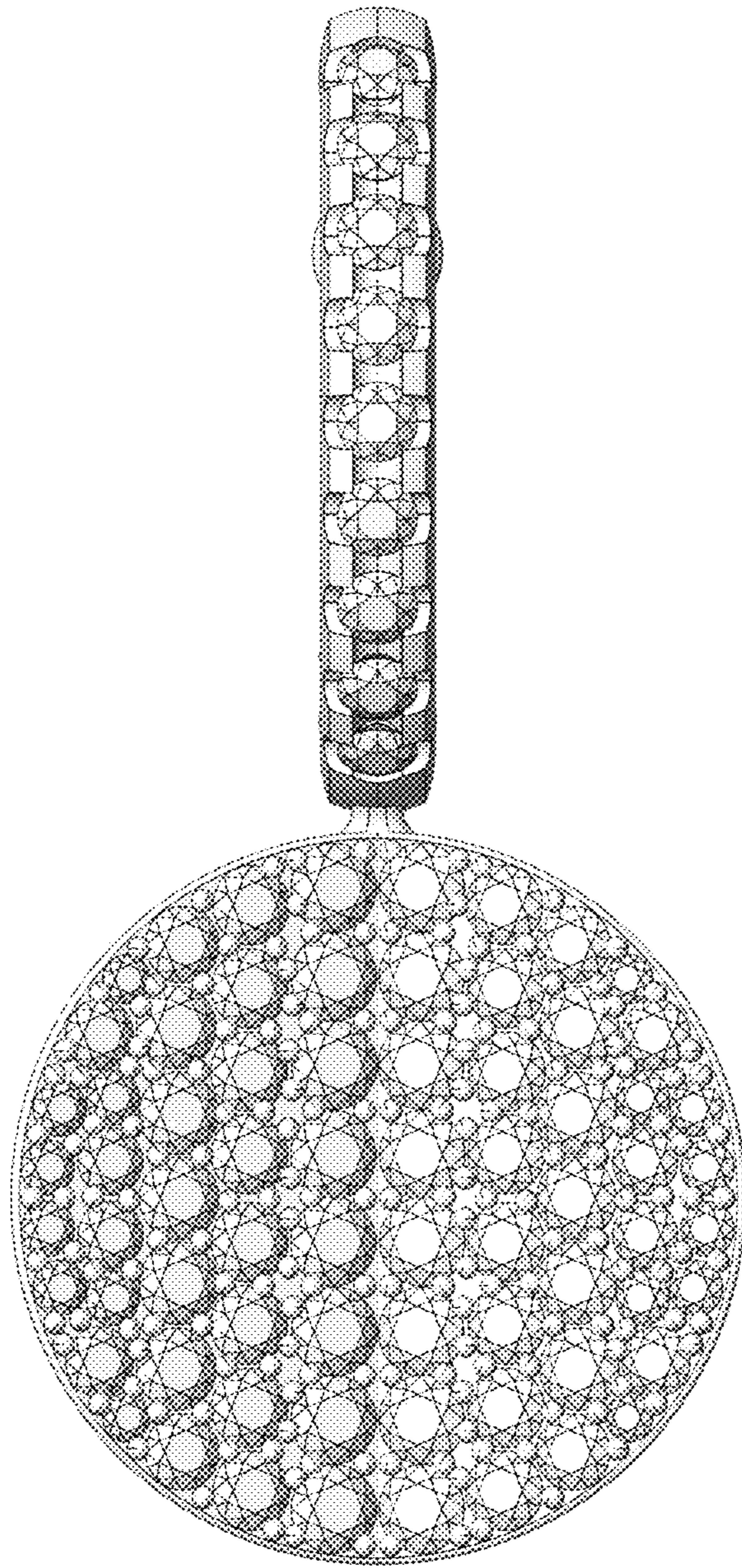


Fig. 1

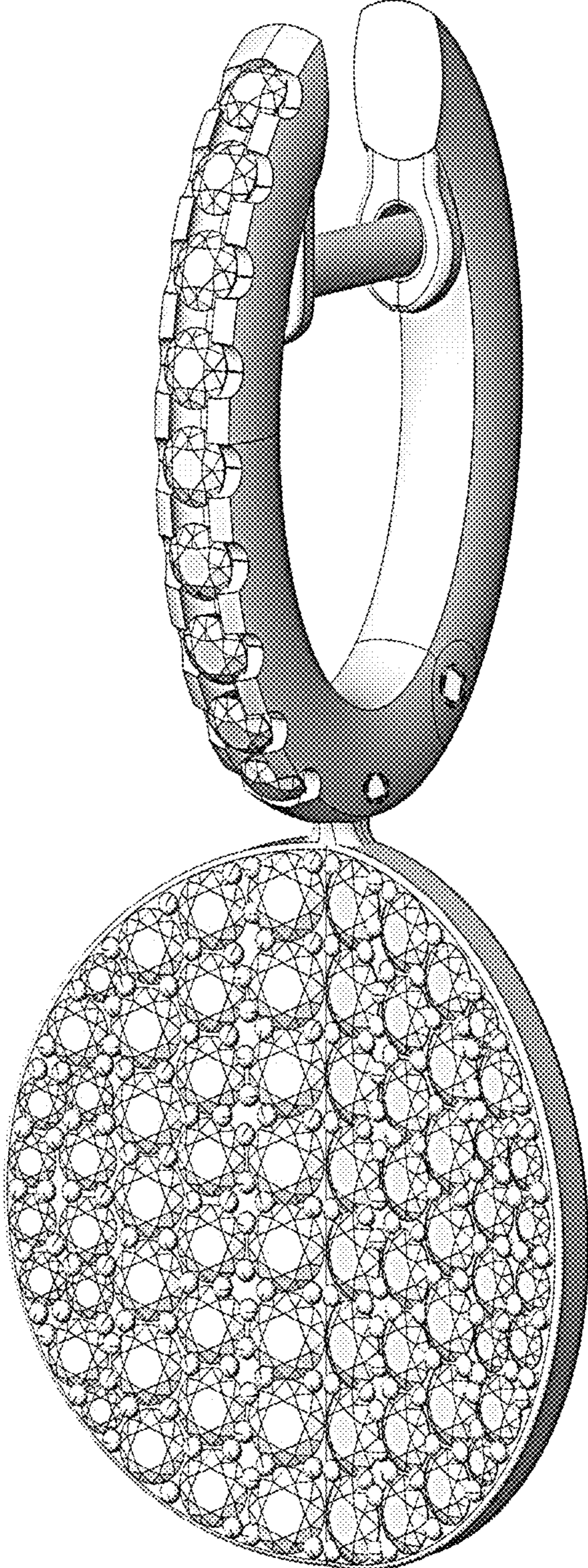


Fig. 2

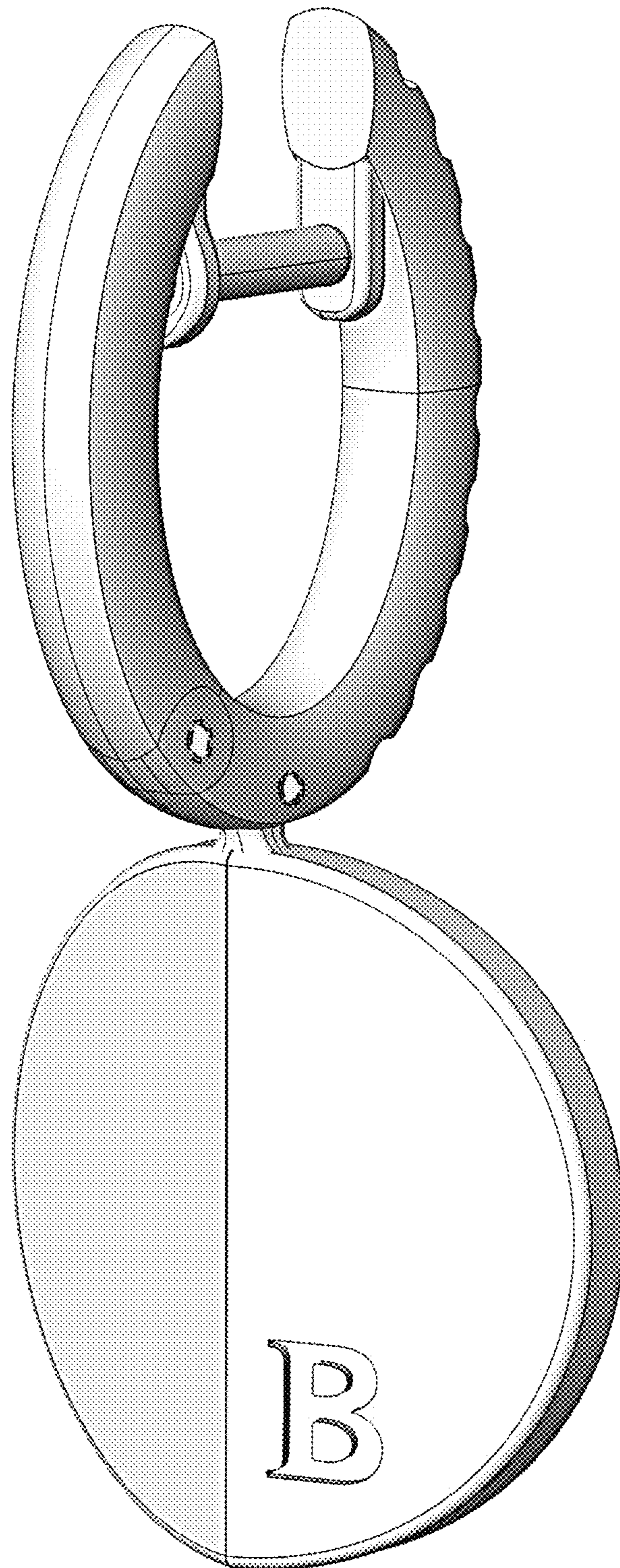


Fig. 3

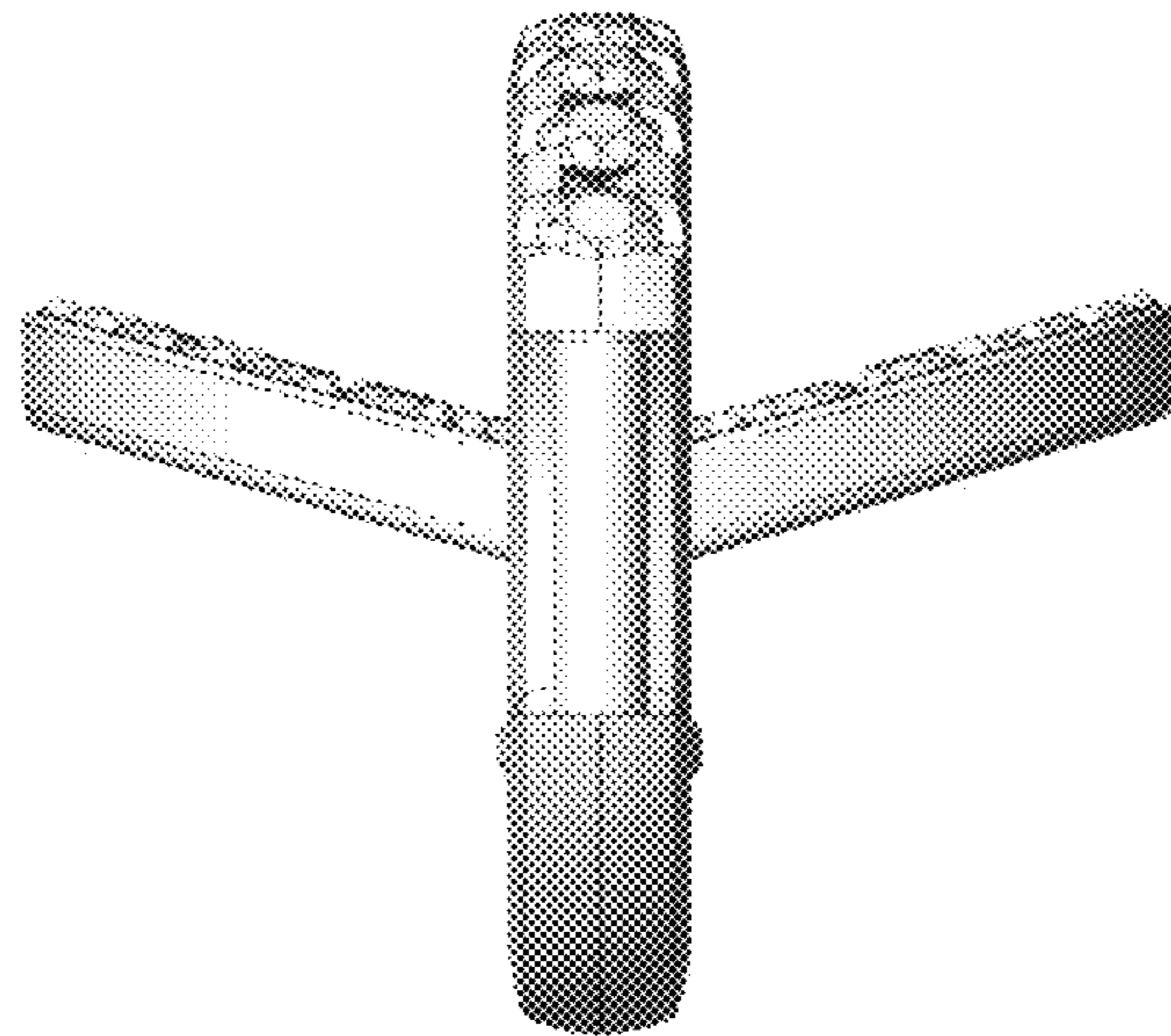


Fig. 4

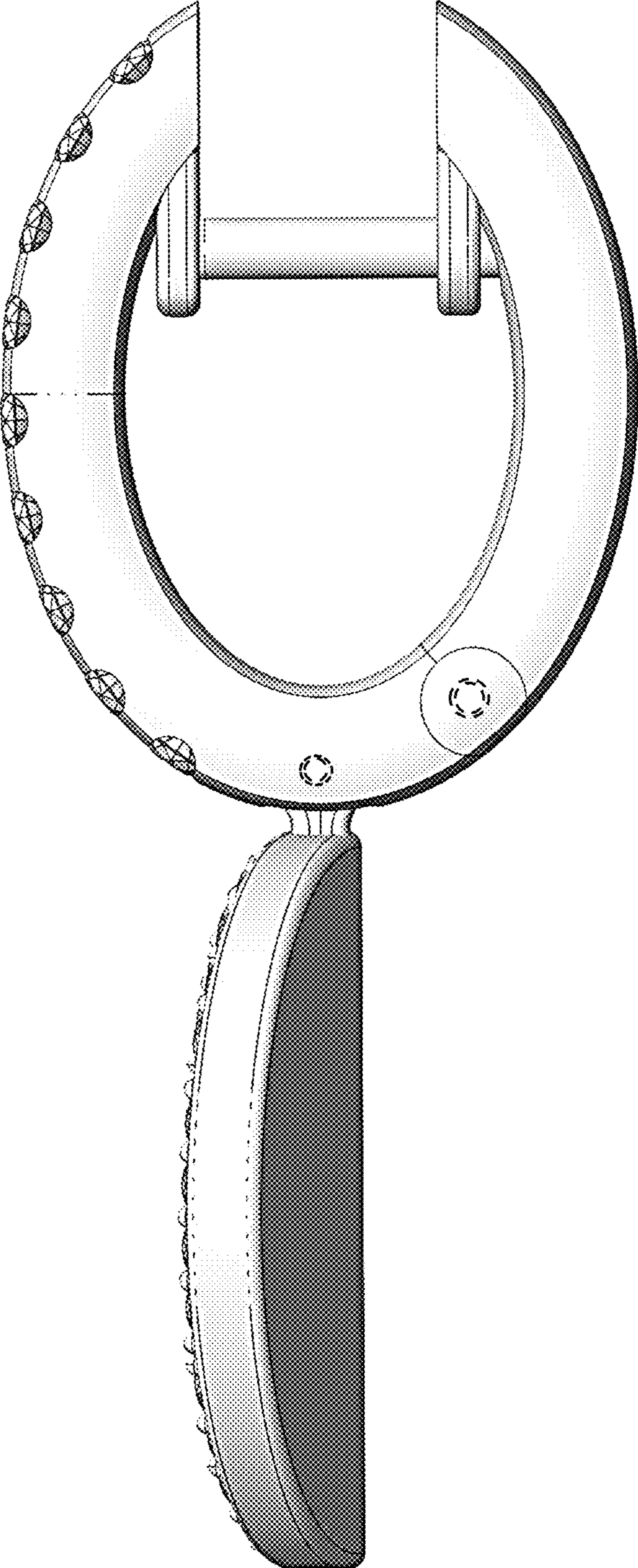


Fig. 5

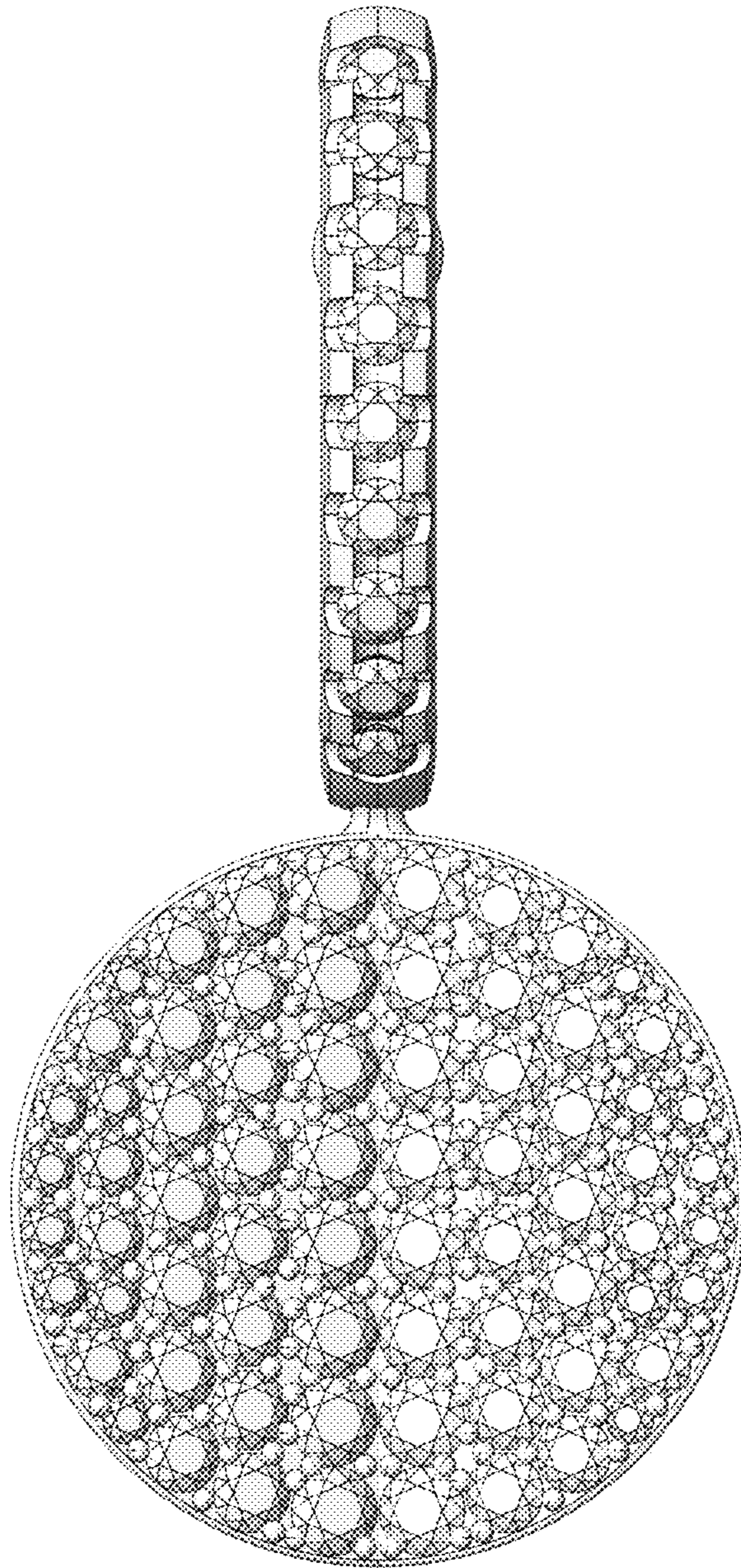


Fig. 6

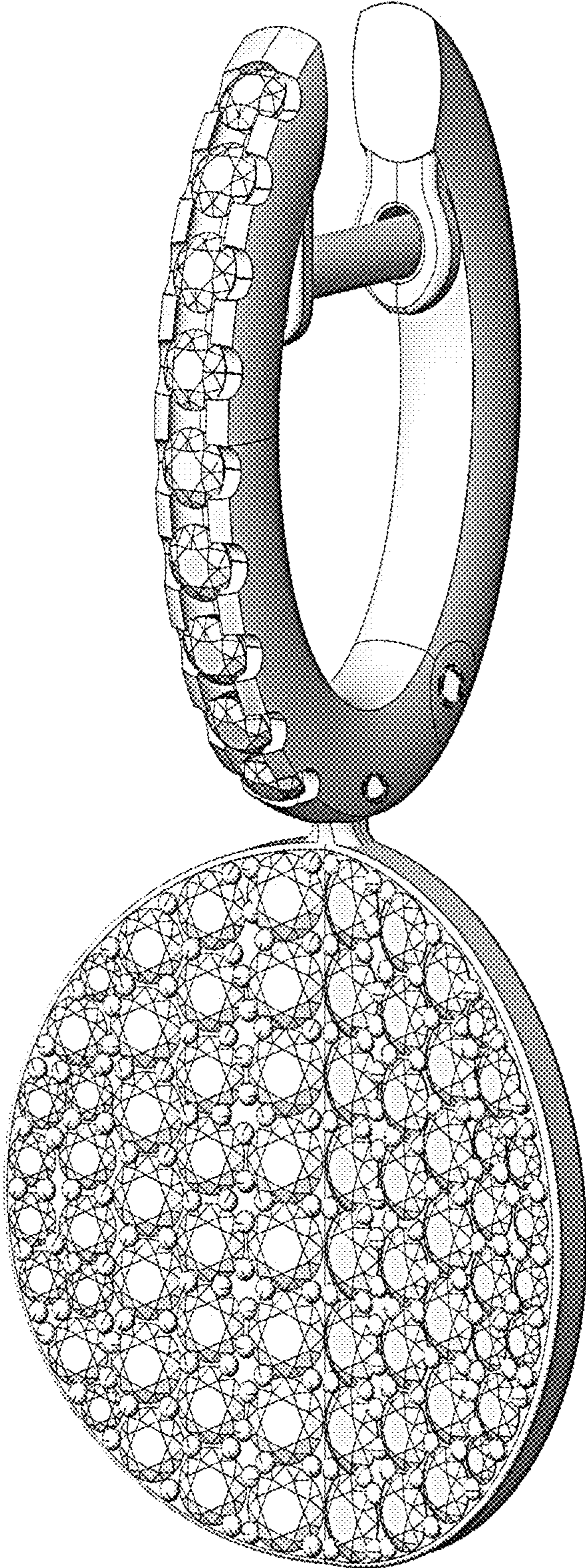


Fig. 7

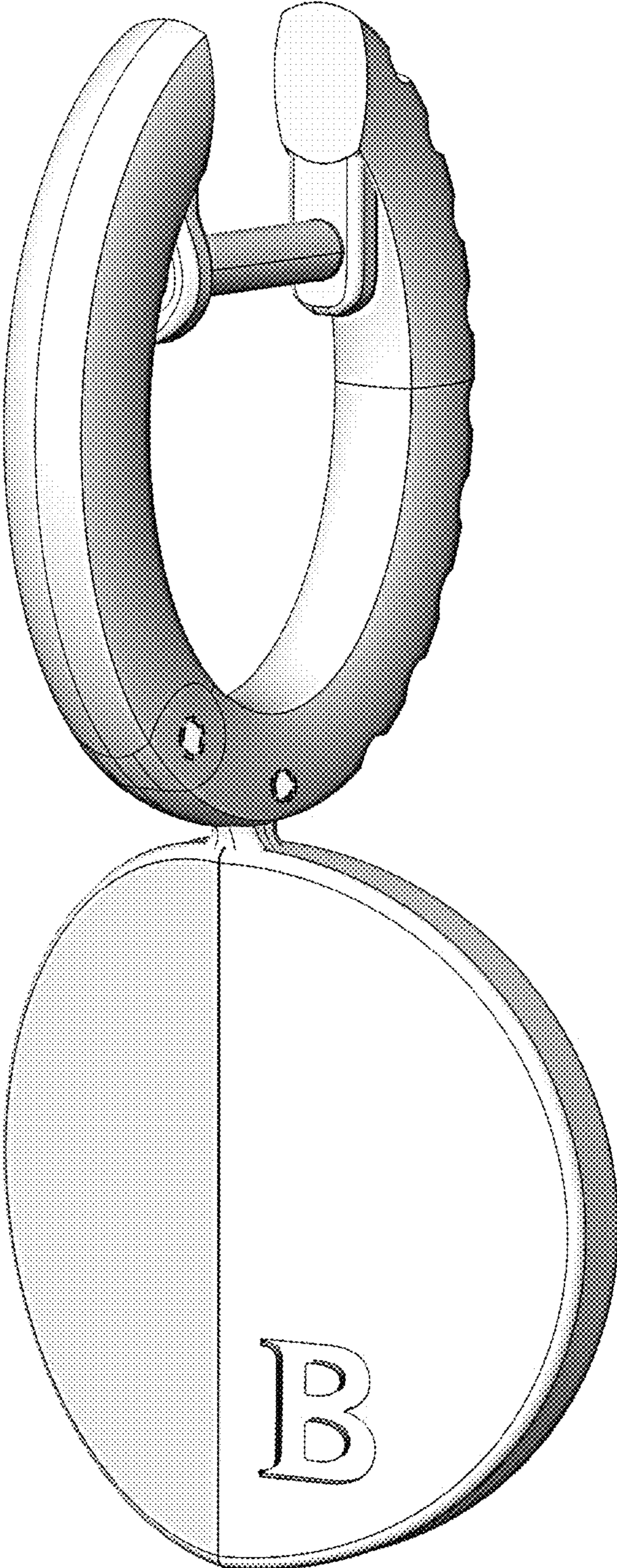


Fig. 8

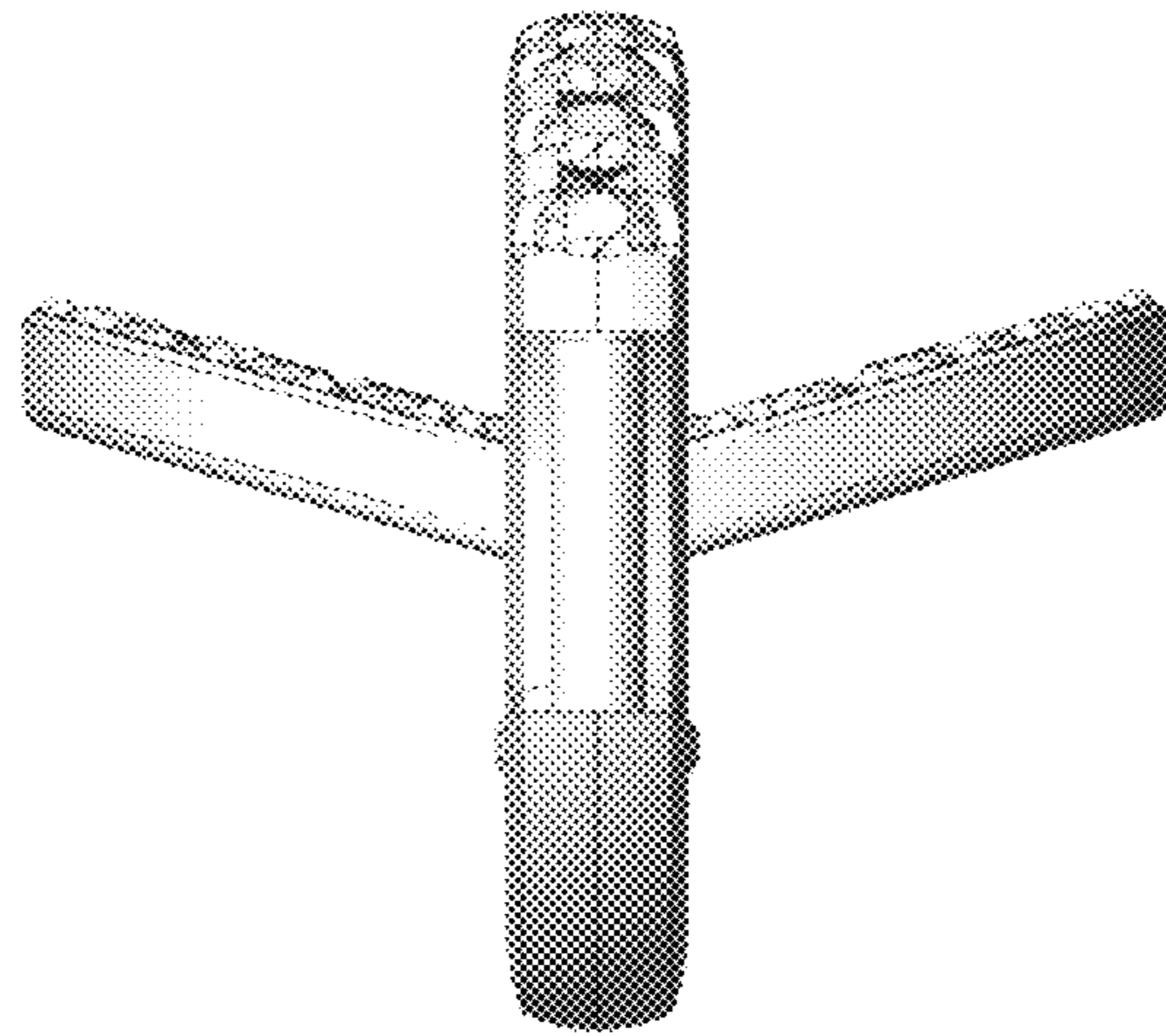


Fig. 9

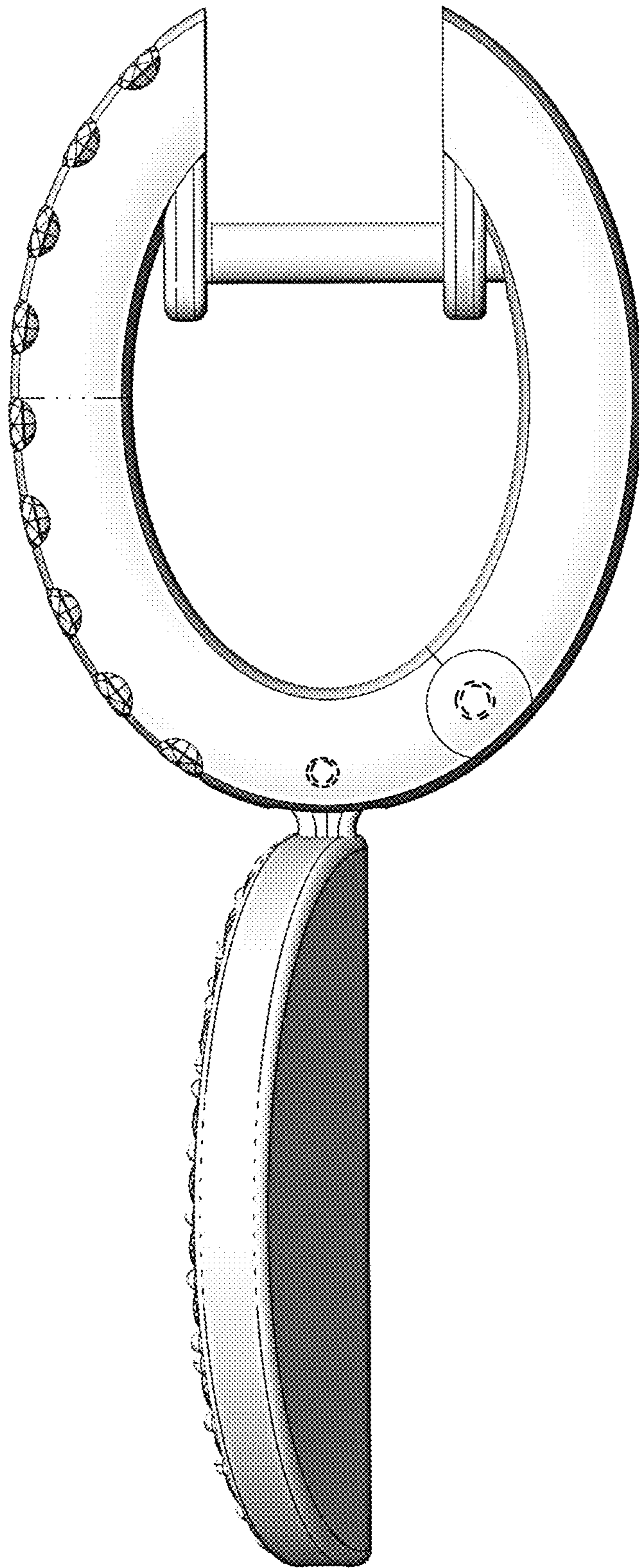


Fig. 10