

US00D962106S

(12) **United States Design Patent**
Jiang

(10) **Patent No.:** **US D962,106 S**

(45) **Date of Patent:** **** Aug. 30, 2022**

(54) **WATCHBAND**

(71) Applicant: **Qiang Jiang**, Guangdong (CN)

(72) Inventor: **Qiang Jiang**, Guangdong (CN)

(**) Term: **15 Years**

(21) Appl. No.: **29/787,777**

(22) Filed: **Jun. 8, 2021**

(51) **LOC (13) Cl.** **11-01**

(52) **U.S. Cl.**
USPC **D11/3**

(58) **Field of Classification Search**
USPC D11/1-6; D14/344; D10/30, 31, 32, 38
CPC A44C 5/00; A44C 5/0007; A44C 5/0015;
A44C 5/0053; A44C 5/147; A44C 5/16;
G04B 37/005; G04B 37/0058
See application file for complete search history.

(56) **References Cited**

U.S. PATENT DOCUMENTS

- 3,885,383 A * 5/1975 Tanaka A44C 5/0023
63/4
- 5,425,007 A * 6/1995 Walter A44C 5/22
368/282
- D489,281 S 5/2004 Hill
- D837,082 S * 1/2019 Akana D11/3
- D854,961 S * 7/2019 Akana D11/3
- D863,096 S * 10/2019 Akana D11/3
- D882,445 S * 4/2020 Liao D11/3
- D883,837 S * 5/2020 Akana D11/3

- D896,677 S * 9/2020 Wang D11/3
- D904,918 S * 12/2020 Du D11/3
- D909,904 S 2/2021 Koyama
- D918,759 S * 5/2021 Liu D11/3
- 2012/0085796 A1* 4/2012 Peng A44C 5/22
224/164
- 2016/0037841 A1* 2/2016 Dey A44C 5/20
2/170
- 2019/0029373 A1* 1/2019 Shaffer A44C 5/0053

* cited by examiner

Primary Examiner — Llorelys Martinez

(74) *Attorney, Agent, or Firm* — ScienBiziP, P.C.

(57) **CLAIM**

The ornamental design for a watchband, as shown and described.

DESCRIPTION

FIG. 1 is a front and right perspective view of a watchband, showing my design.

FIG. 2 is a rear and left perspective view thereof.

FIG. 3 is a front elevation view thereof.

FIG. 4 is a rear elevation view thereof.

FIG. 5 is a left side elevation view thereof.

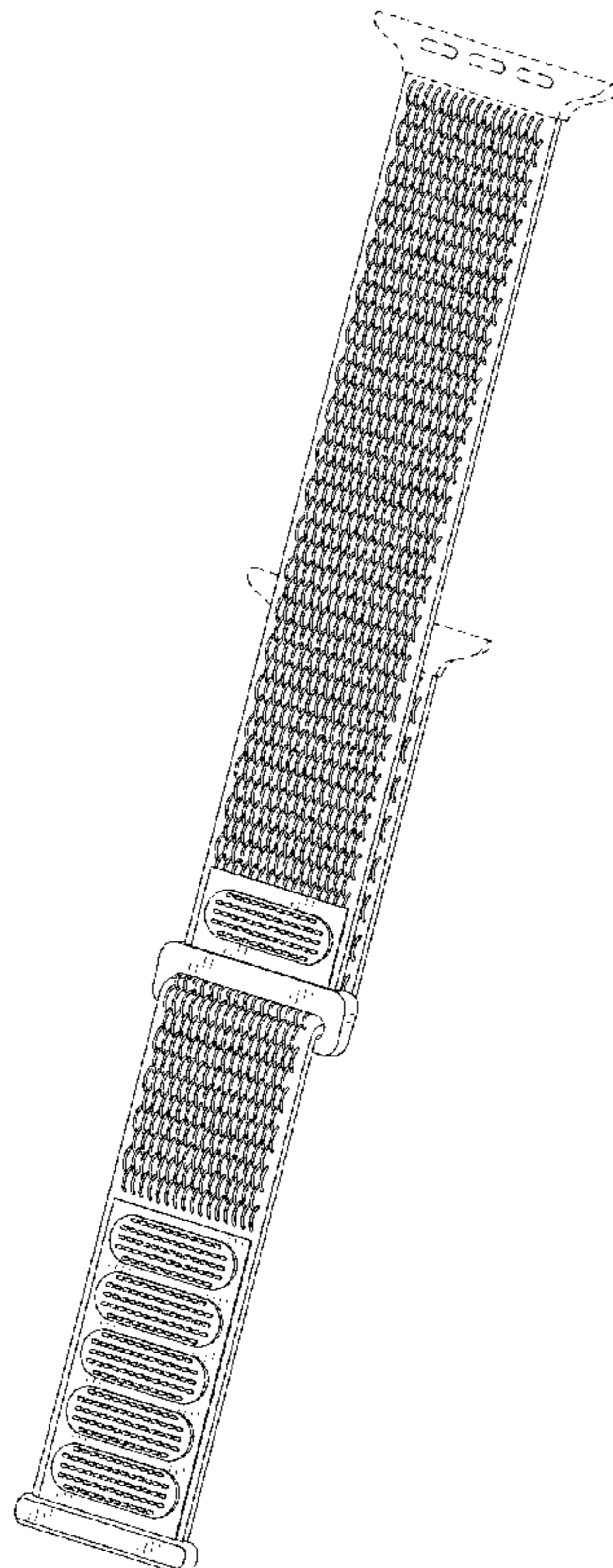
FIG. 6 is a right side elevation view thereof.

FIG. 7 is a top plan view thereof; and,

FIG. 8 is a bottom plan view thereof.

The broken lines shown in the drawings are included for the purpose of illustrating portions of the watchband that form no part of the claimed design.

1 Claim, 8 Drawing Sheets



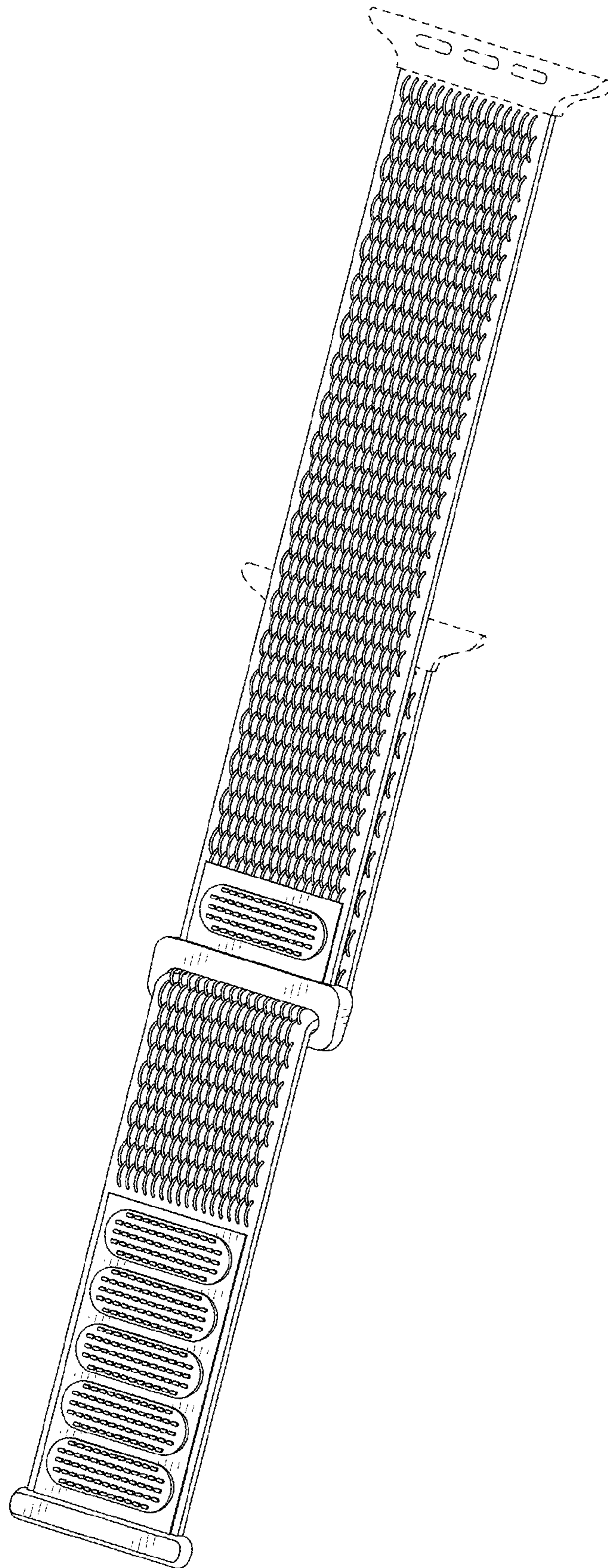


FIG. 1

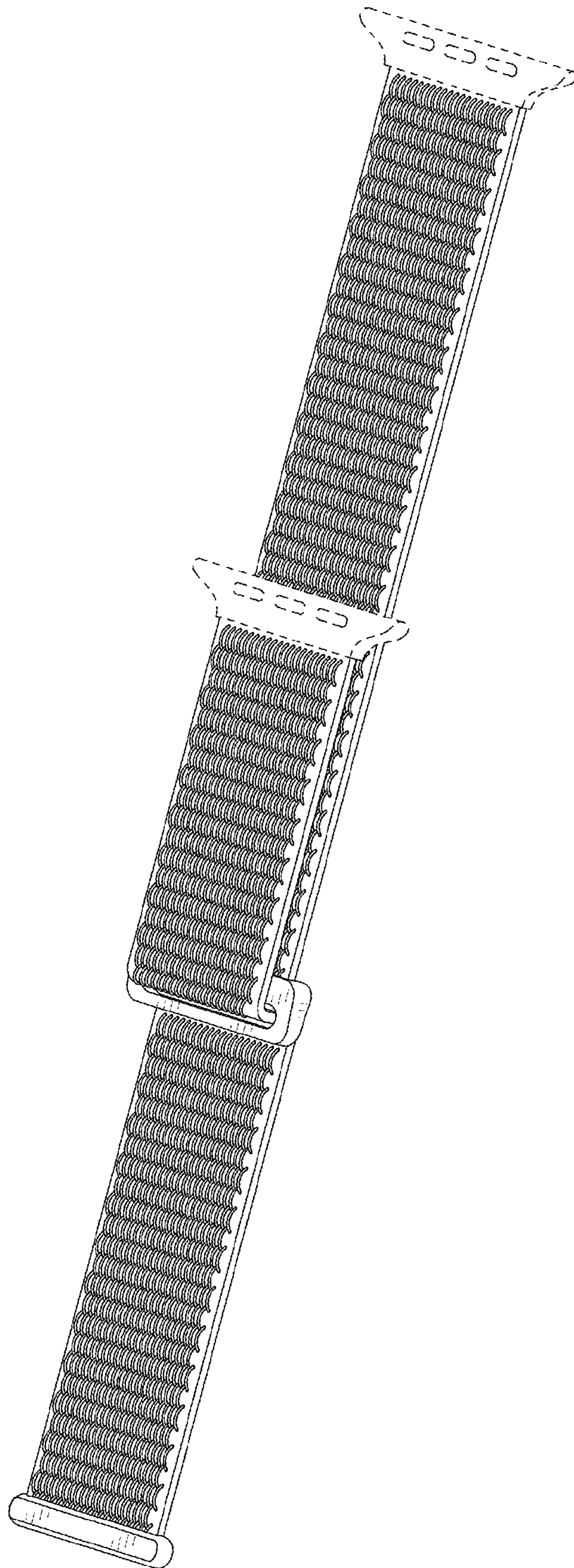


FIG. 2

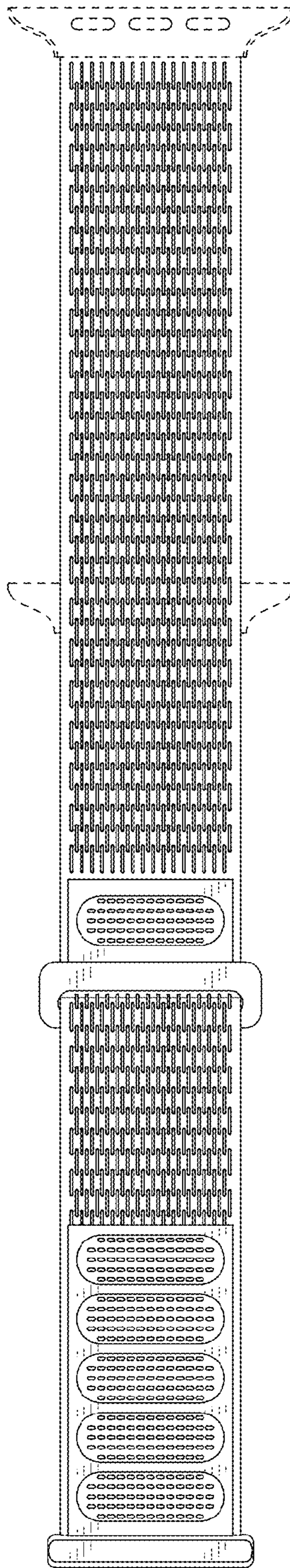


FIG. 3

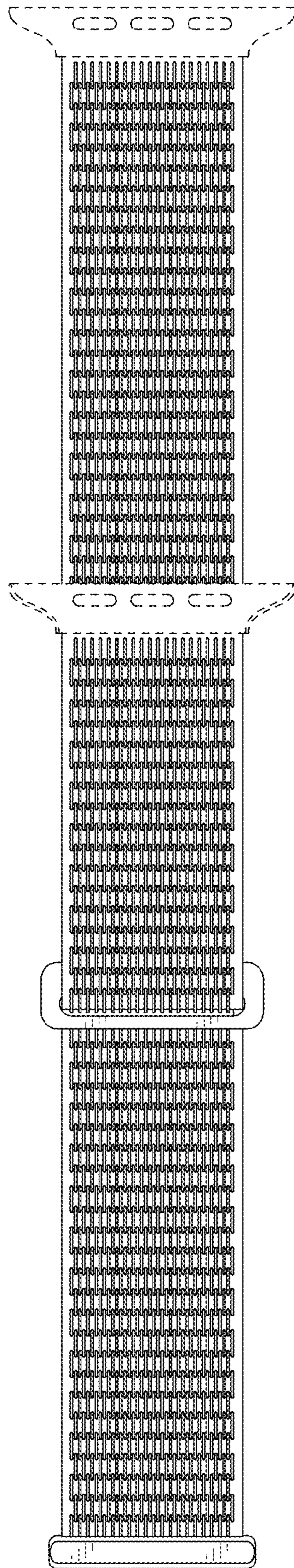


FIG. 4

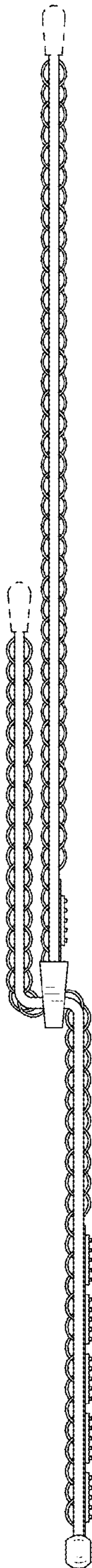


FIG. 5

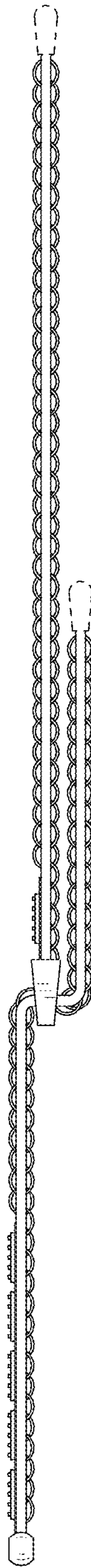


FIG. 6

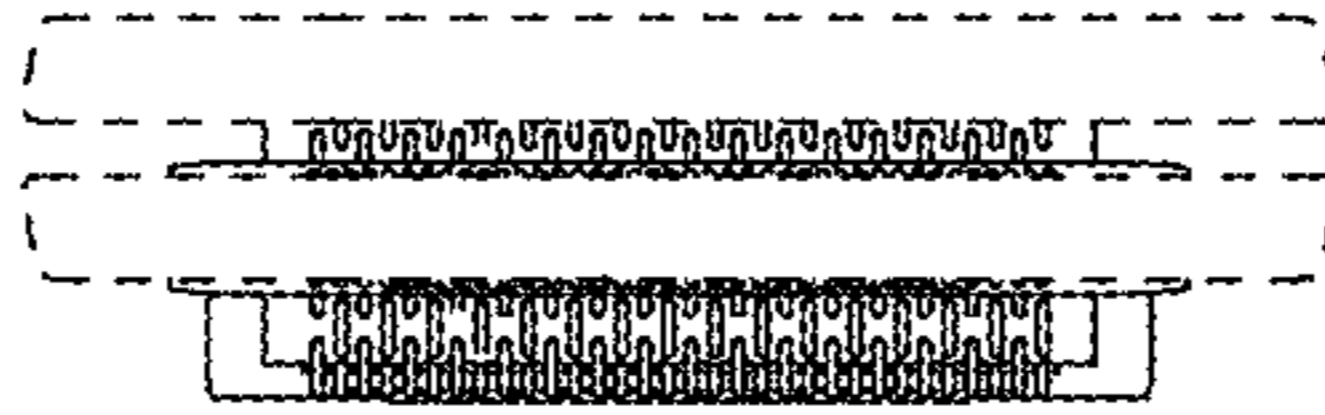


FIG. 7

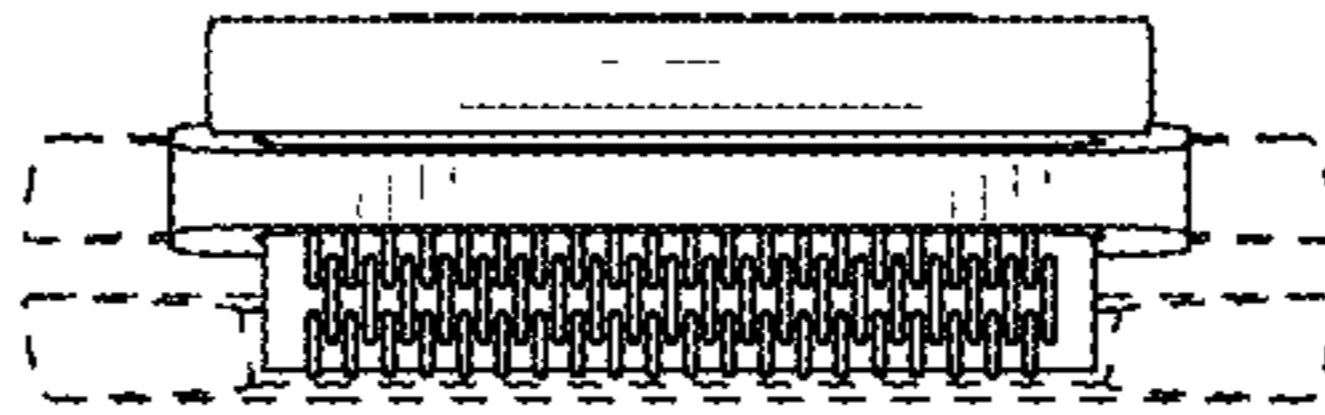


FIG. 8