



US00D962101S

(12) **United States Design Patent** (10) **Patent No.:** **US D962,101 S**
Siminoff et al. (45) **Date of Patent:** **** Aug. 30, 2022**

(54) **MOTION SENSOR**

(71) Applicant: **Amazon Technologies, Inc.**, Seattle, WA (US)

(72) Inventors: **James Siminoff**, Pacific Palisades, CA (US); **Mark D. Siminoff**, Mountain View, CA (US); **Wen-Yo Lu**, Pasadena, CA (US); **Christopher Loew**, Palo Alto, CA (US); **Jia Li**, Nutley, NJ (US); **Wei-Chung Wang**, New Taipei (TW); **Gregory Berlin**, Spring City, PA (US); **Eric Scott Micko**, San Jose, CA (US); **Andrew Louis Russell**, Havertown, PA (US)

(73) Assignee: **Amazon Technologies, Inc.**, Seattle, WA (US)

(**) Term: **15 Years**

(21) Appl. No.: **29/723,865**

(22) Filed: **Feb. 11, 2020**

(51) **LOC (13) Cl.** **10-04**

(52) **U.S. Cl.**
USPC **D10/106.6**

(58) **Field of Classification Search**
USPC D10/75, 65, 70, 81, 106.6; D12/192; D3/207, 208
CPC . G06F 3/16; G08B 3/00; H04M 11/00; H04N 7/14; H04N 7/26
See application file for complete search history.

(56) **References Cited**

U.S. PATENT DOCUMENTS

D258,424 S	3/1981	Doggart	
D555,019 S *	11/2007	Au Yeung	D10/70
D693,248 S *	11/2013	Anderssen	D10/65
D693,249 S *	11/2013	Anderssen	D10/65
D724,970 S *	3/2015	Hasegawa	D10/70
D757,587 S	5/2016	Li	

D768,014 S	10/2016	Yang	
D768,015 S *	10/2016	Yang	D10/118.2
D773,949 S *	12/2016	Bolger	D10/106.2
D778,185 S *	2/2017	Ookawa	D10/70
D780,611 S	3/2017	Studer	
D788,603 S	6/2017	Liu	

(Continued)

FOREIGN PATENT DOCUMENTS

EM 007878483-0001 5/2020

OTHER PUBLICATIONS

Ring Alarm Motion Detector listing on Amazon (2nd Gen) (verified by photo review) date Nov. 29, 2020, (online) URL:<https://www.amazon.com/Ring-Alarm-Motion-Detector/dp/B07ZB2QF2V/?th=1> (Year: 2020).*

(Continued)

Primary Examiner — George D. Kirschbaum
Assistant Examiner — Antoinette Martine Suiter
(74) *Attorney, Agent, or Firm* — Lee & Hayes, P.C.

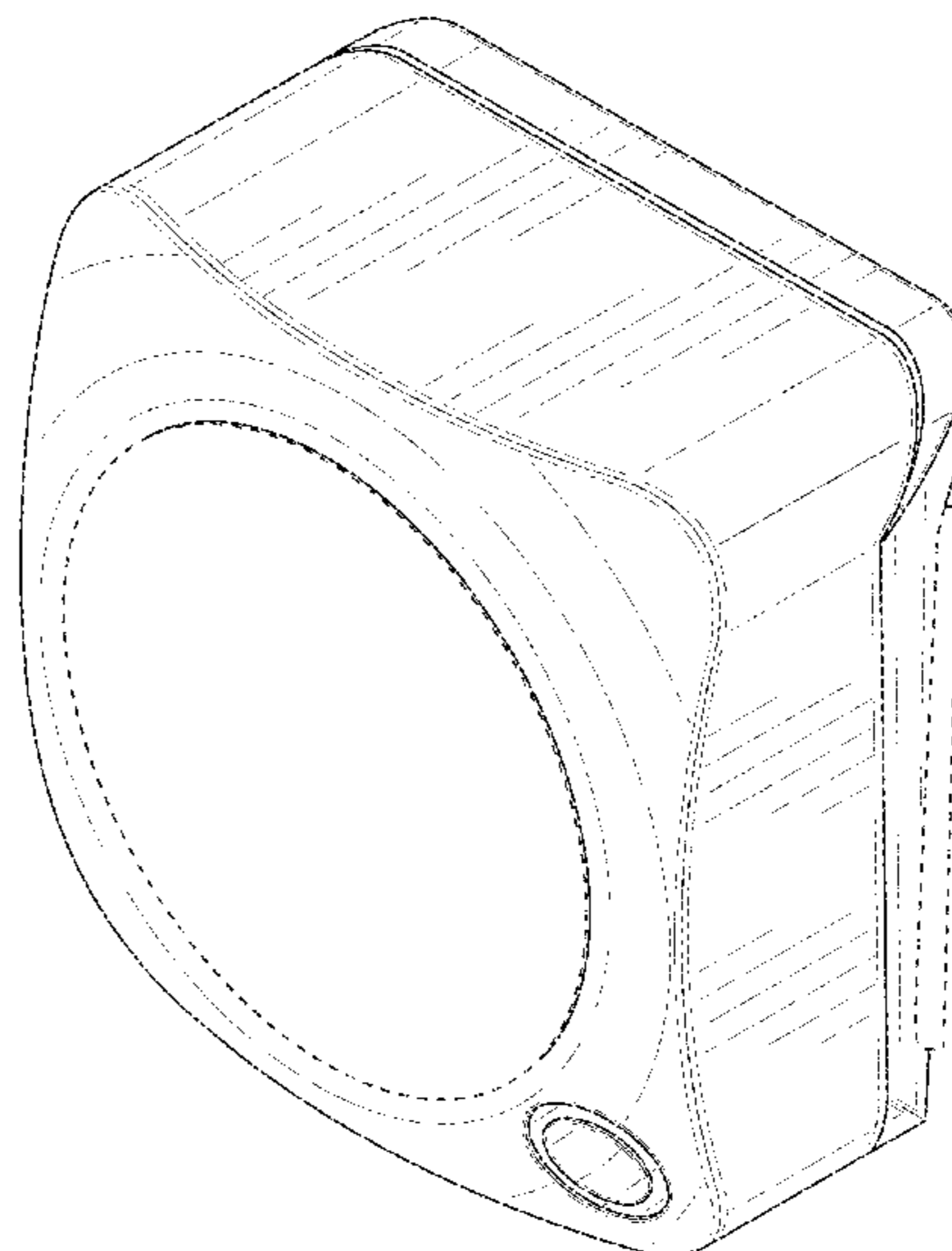
(57) **CLAIM**

The ornamental design for a motion sensor, as shown and described.

DESCRIPTION

FIG. 1 is a top, front, right-side perspective view of a motion sensor;
FIG. 2 is a bottom, back, left-side perspective view thereof;
FIG. 3 is a front view thereof;
FIG. 4 is a back view thereof;
FIG. 5 is a left-side view thereof;
FIG. 6 is a right-side view thereof;
FIG. 7 is a top view thereof; and,
FIG. 8 is a bottom view thereof.
The dashed broken lines depict portions of the motion sensor that form no part of the claimed design.

1 Claim, 8 Drawing Sheets



(56)

References Cited

U.S. PATENT DOCUMENTS

D788,607 S 6/2017 Ji et al.
D793,266 S 8/2017 Ye
D816,224 S * 4/2018 Wang D24/165
D825,358 S 8/2018 Lee et al.
D825,359 S 8/2018 Lee et al.
D826,757 S 8/2018 Thornton et al.
D830,861 S 10/2018 McNealy et al.
D830,869 S 10/2018 Siminoff et al.
D852,656 S 7/2019 Kazes et al.
10,448,491 B1 10/2019 Recker et al.
D871,240 S * 12/2019 Burns D10/70
10,529,202 B1 1/2020 Baker, Jr.
D875,083 S * 2/2020 Sohn D14/218
D876,253 S * 2/2020 Fagnot D10/70
D889,296 S * 7/2020 Loh D10/106.1
D890,002 S 7/2020 Cound et al.
D895,456 S * 9/2020 Andersson D10/70
D912,030 S * 3/2021 Bould D14/240

D928,759 S 8/2021 Siminoff et al.
2008/0117299 A1 5/2008 Carter
2010/0141153 A1 6/2010 Recker et al.

OTHER PUBLICATIONS

Android Headlines Protect Your Home With The Ring Alarm date Sep. 1, 2021, (online) URL: <https://www.androidheadlines.com/ring-alarm-system-sale-price> (Year: 2021).*

The Guardian Ring Alarm Review: Amazon's Smart Security Upgrade date Dec. 12, 2019, (online) URL: <https://www.theguardian.com/technology/2019/dec/12/ring-alarm-review-amazon-diy-wireless-home-security-system> (Year: 2019).*

Japanese Office Action dated May 11, 2021 for Japanese Patent Application No. 2020-016767, a counterpart foreign application of U.S. Appl. No. 29/723,865, 2 pages.

Office Action for U.S. Appl. No. 29/714,035, dated Jun. 15, 2021, Siminoff, "Motion Sensor", 6 pages.

* cited by examiner

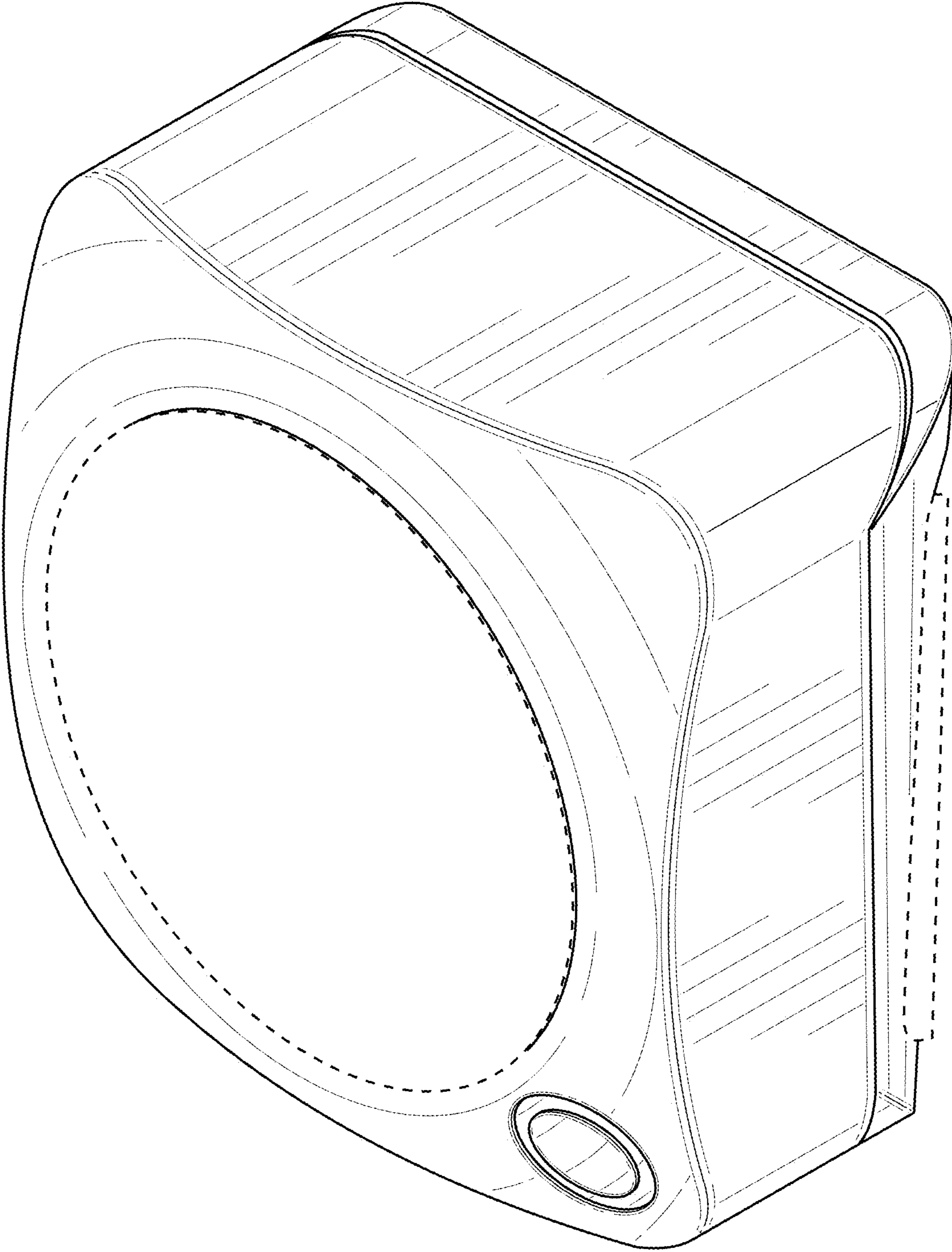


FIG. 1

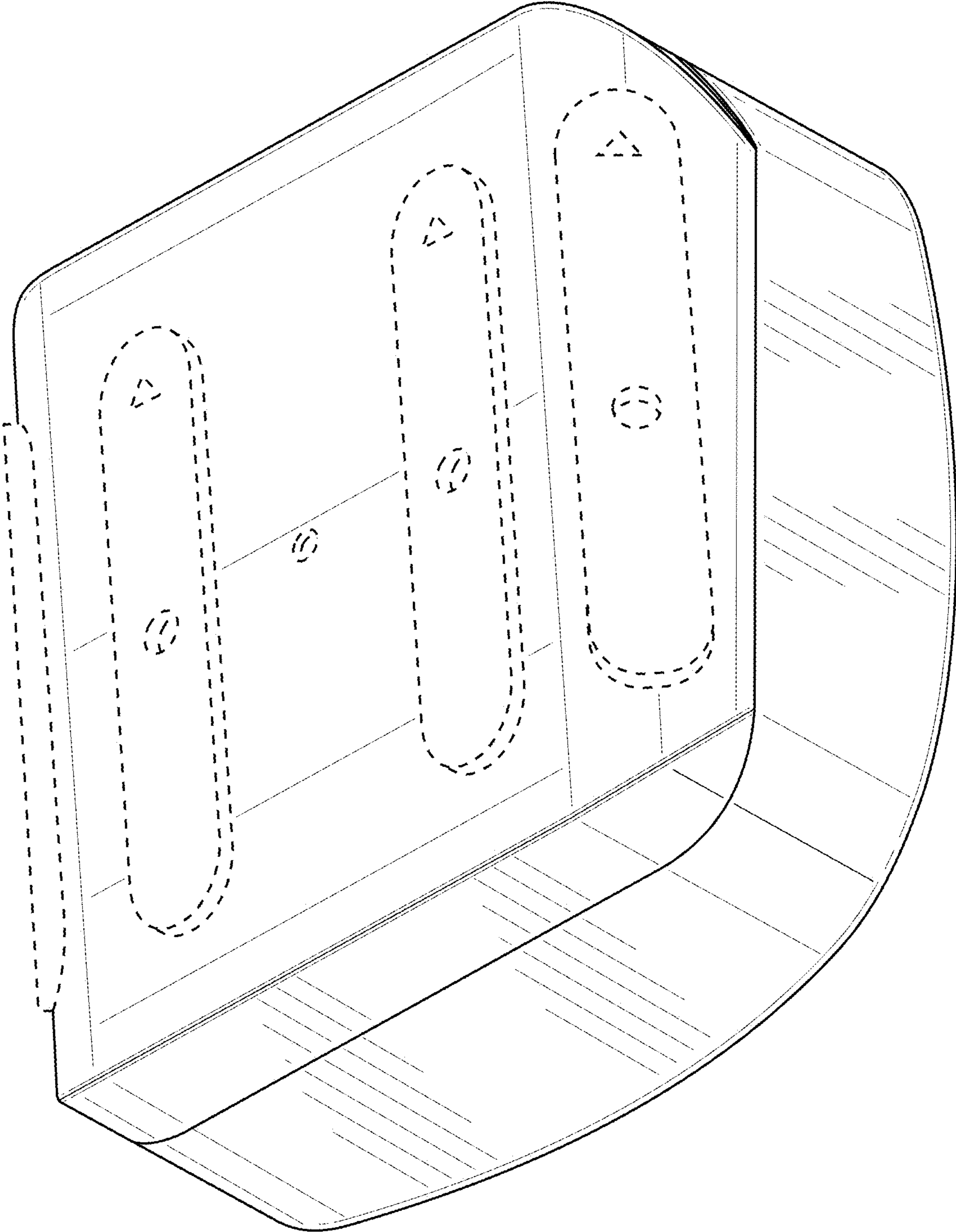


FIG. 2

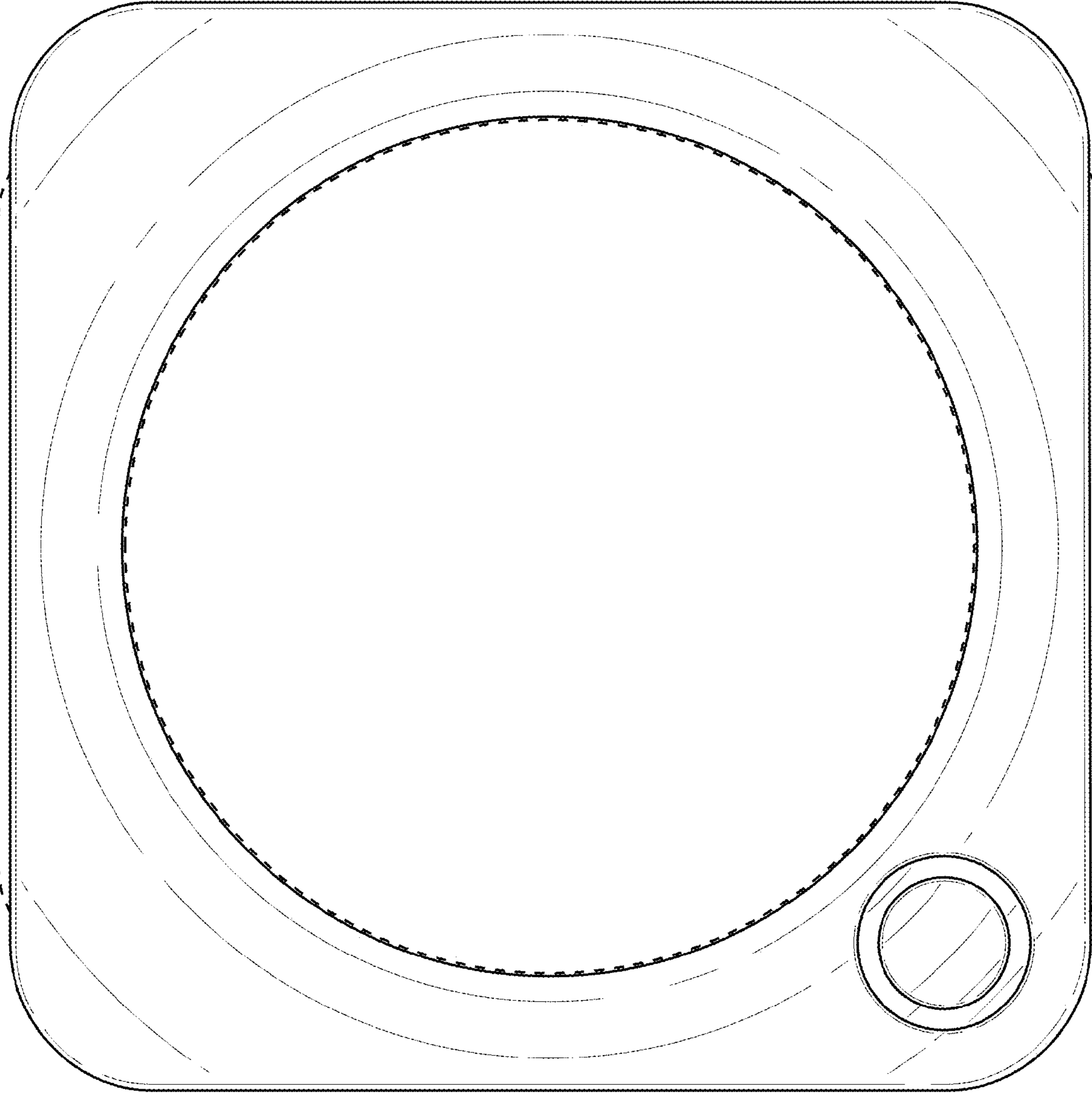


FIG. 3

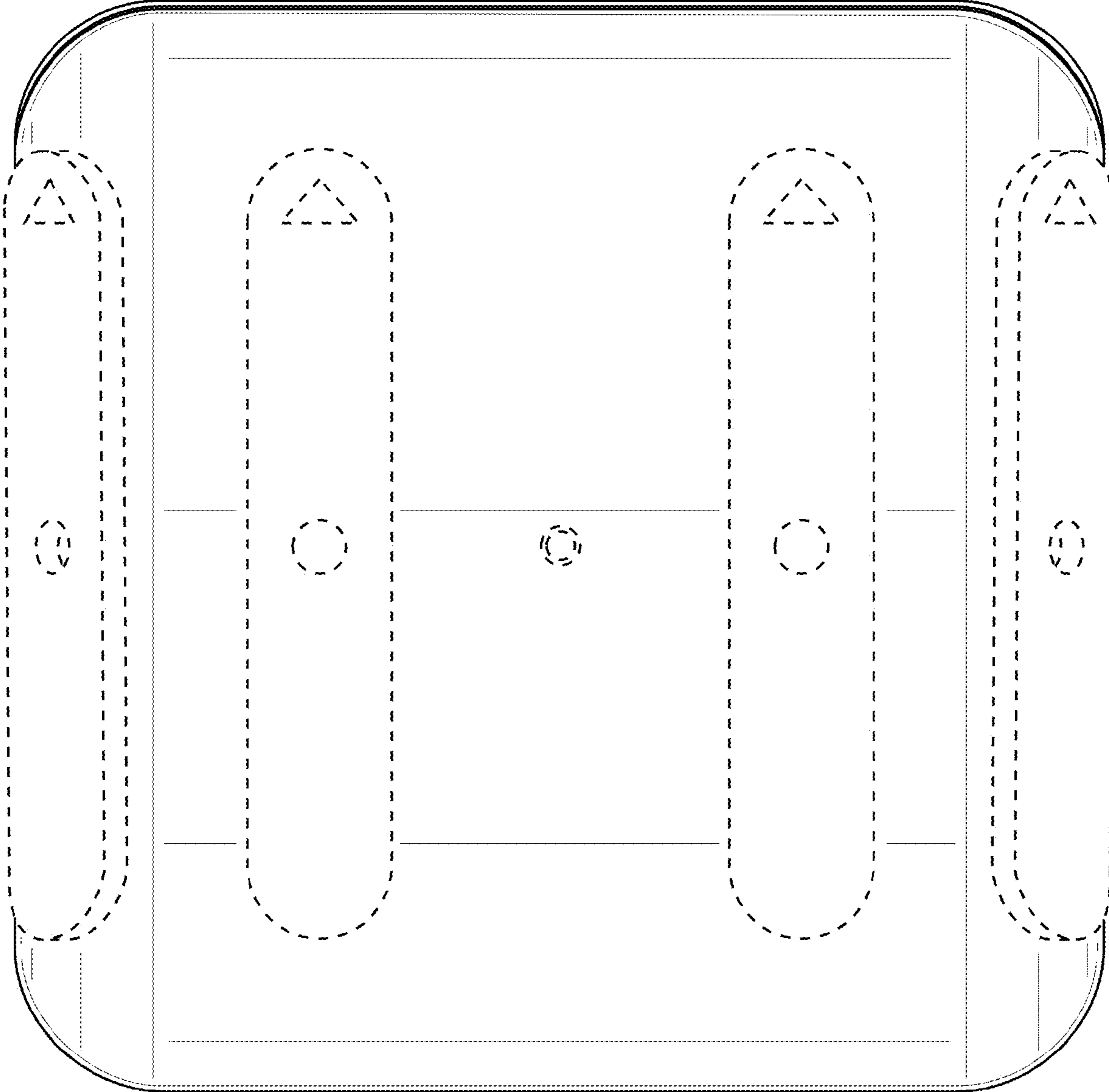


FIG. 4

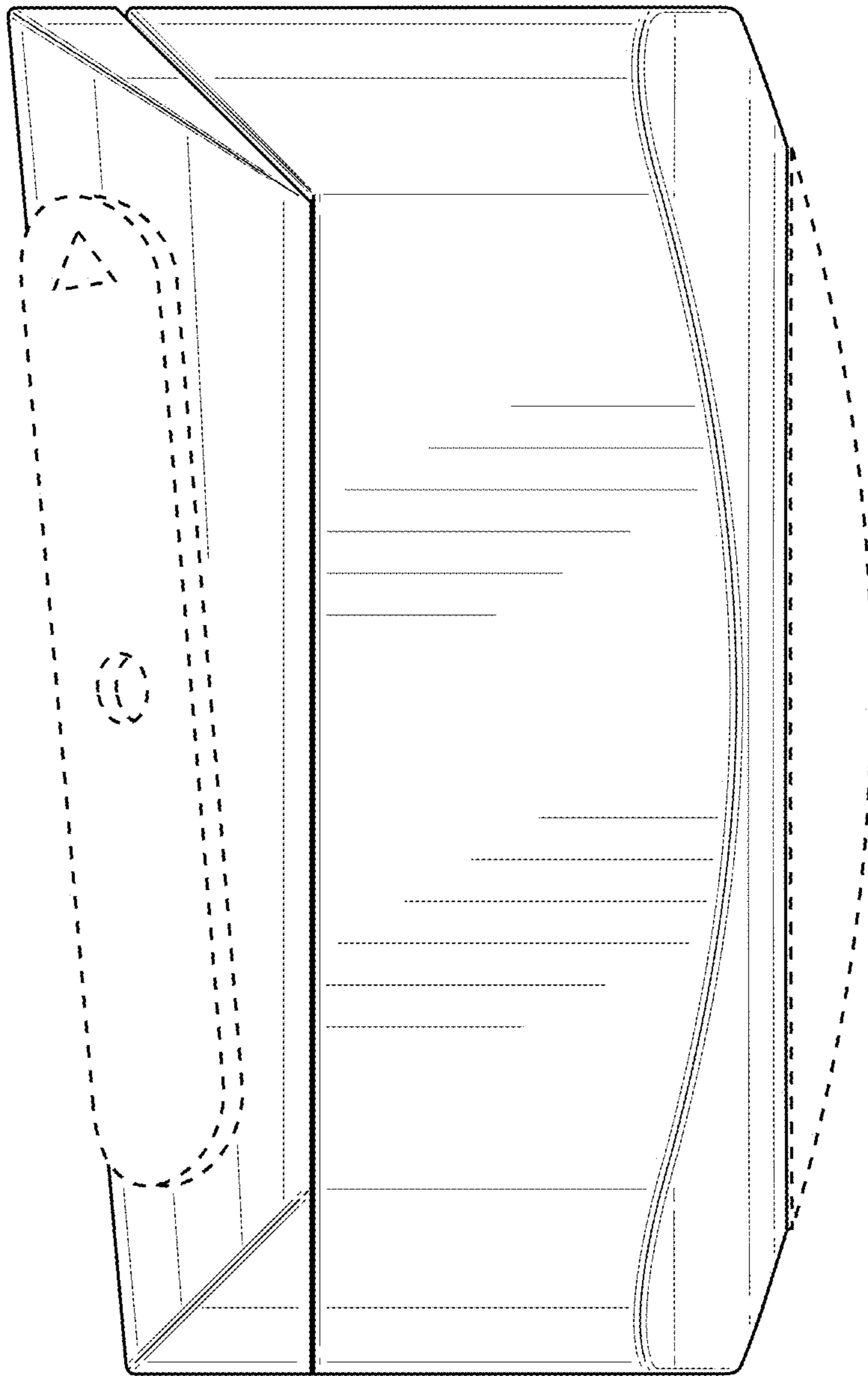


FIG. 5

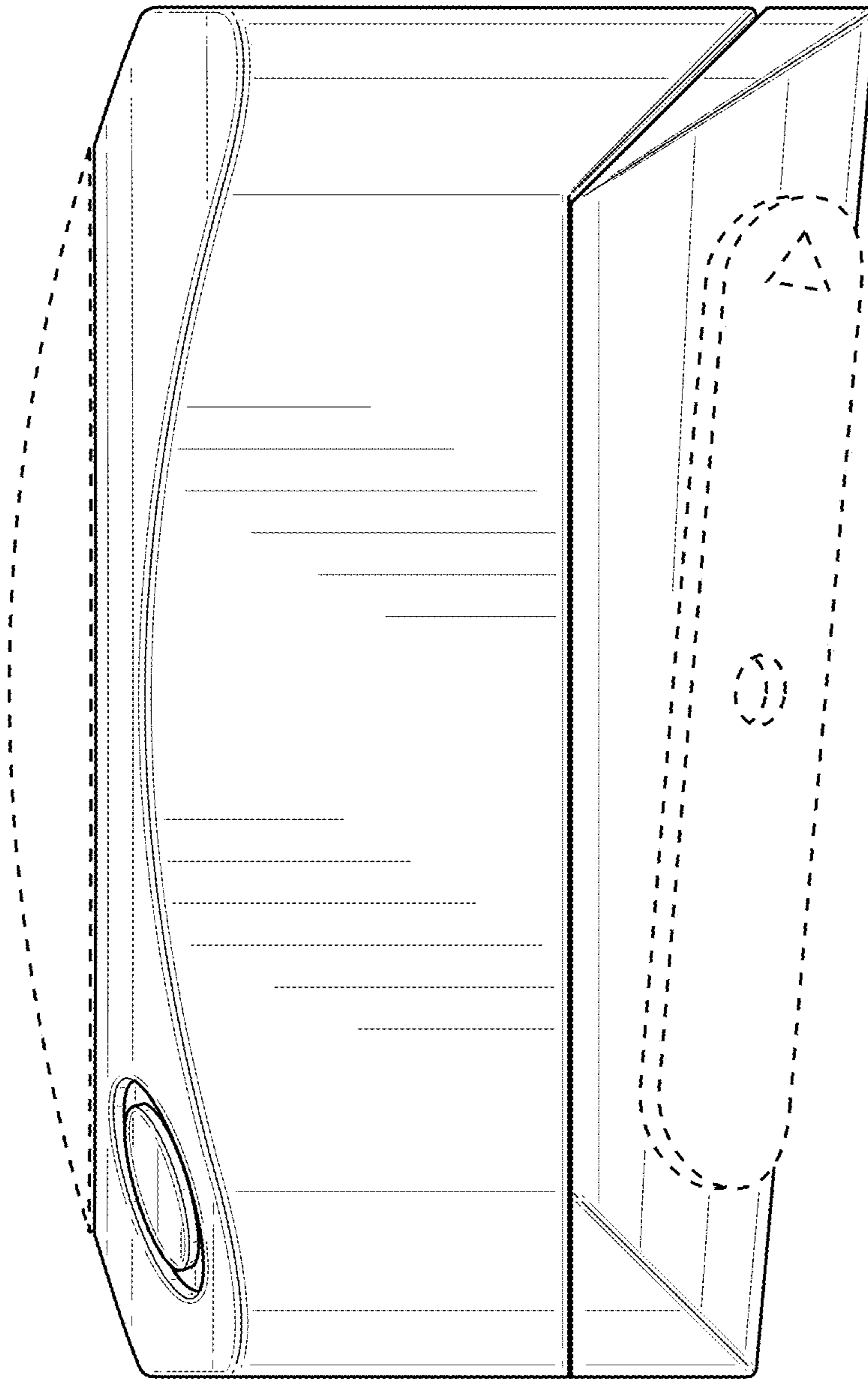


FIG. 6

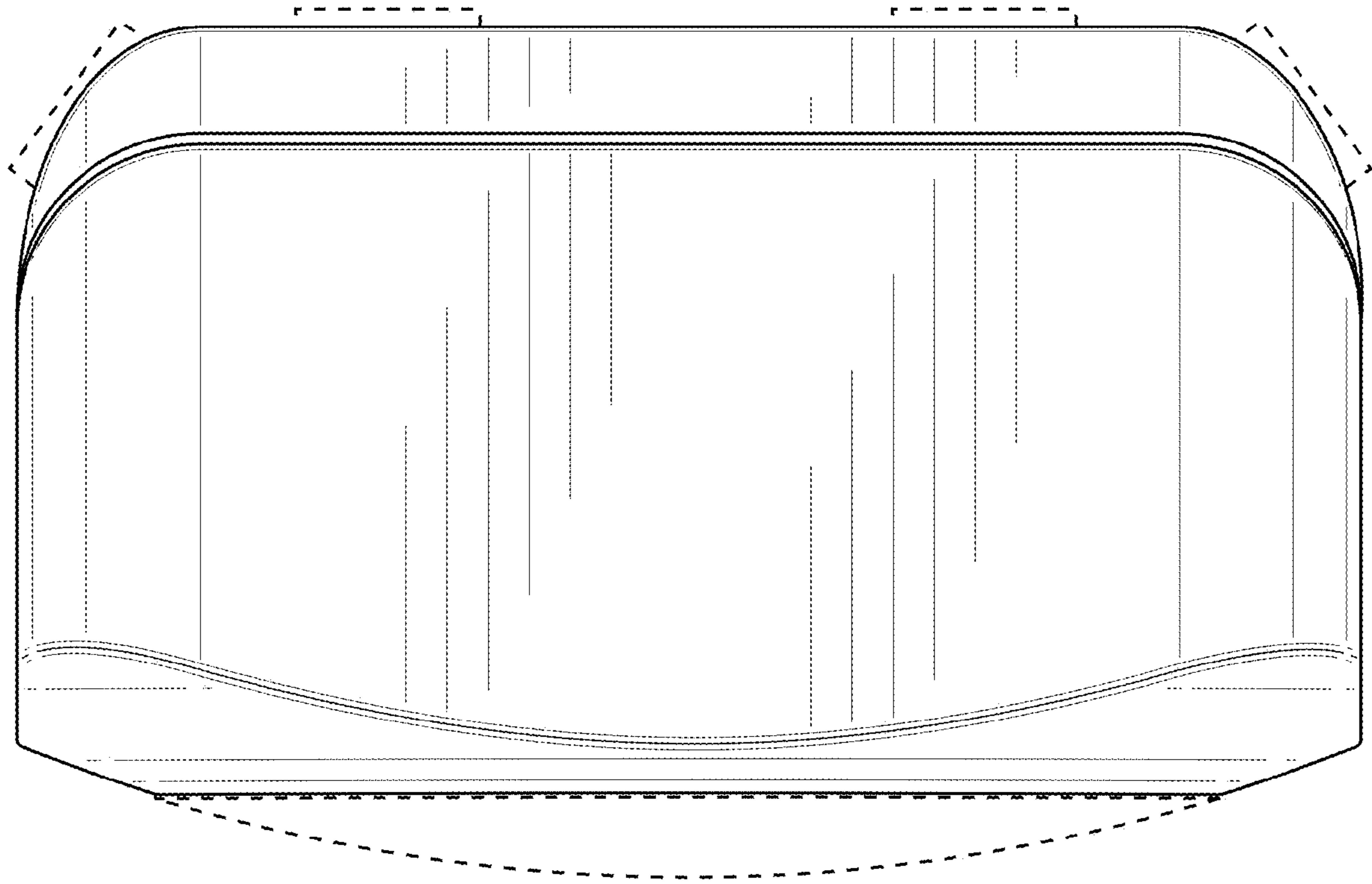


FIG. 7

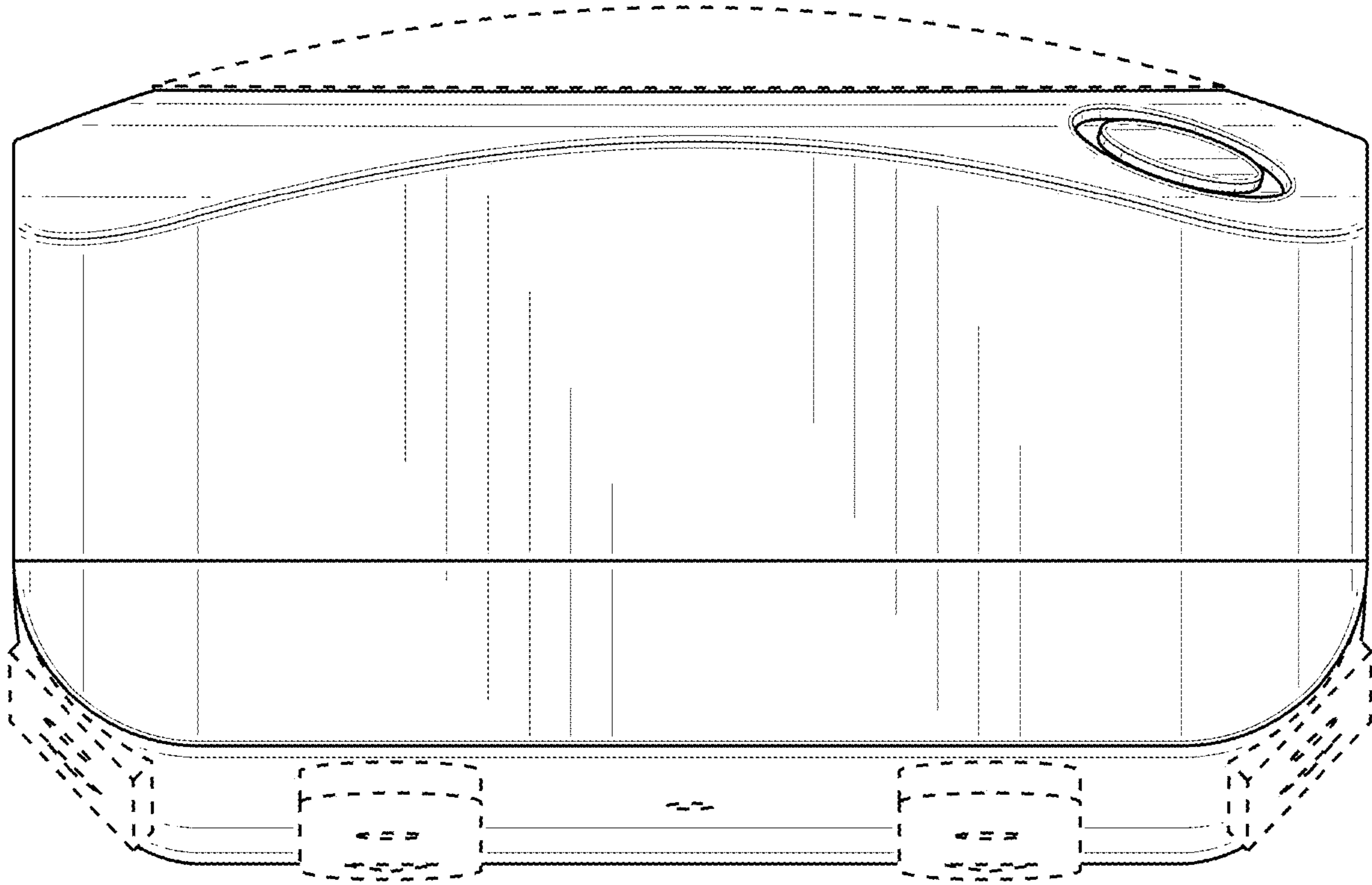


FIG. 8