

US00D962099S

(12) **United States Design Patent** (10) **Patent No.:** **US D962,099 S**
Yu (45) **Date of Patent:** **** Aug. 30, 2022**

(54) **ELECTRONIC SCALE**

(71) Applicant: **Dongguan Changxie Technology Co., Ltd.**, Dongguan (CN)

(72) Inventor: **Long Yu**, Feicheng (CN)

(**) Term: **15 Years**

(21) Appl. No.: **29/785,250**

(22) Filed: **May 25, 2021**

(51) **LOC (13) Cl.** **10-04**

(52) **U.S. Cl.**
USPC **D10/91**

(58) **Field of Classification Search**

USPC D10/83-96
CPC G01G 21/28; G01G 21/00; G01G 19/414;
G01G 19/4144; G01G 19/42; G01G
23/166; G01G 21/30; G01G 23/3728;
G01G 23/3735; G01G 19/44; G01G 3/14;
G01G 19/46; G01G 19/48; G01G 19/50;
G01G 21/44; A61B 5/053; A61B 5/4872;
A61B 5/0537; A61B 5/4869; A61B
5/6825; A61B 5/6829; A61B 5/7445;
A61B 5/1072; G06Q 20/3678; G06Q
20/387; G06Q 20/065; G06Q 20/36;
G06Q 20/06; G06Q 20/208; G09B 19/00;
G16H 20/00; G16H 40/63; F16F 1/123

See application file for complete search history.

(56) **References Cited**

U.S. PATENT DOCUMENTS

D505,873 S * 6/2005 Kesselman D10/91
D682,129 S * 5/2013 Kesselman D10/91
D778,748 S * 2/2017 Nugent D10/94
D837,672 S * 1/2019 Hong D10/91
D842,731 S * 3/2019 Hong D10/91
D851,522 S * 6/2019 Hong D10/94
D869,314 S * 12/2019 Ma D10/91
D894,768 S * 9/2020 Ma D10/91
D897,875 S * 10/2020 Ma D10/91
D925,382 S * 7/2021 Jiang D10/91

D926,611 S * 8/2021 Hong D10/91
D935,925 S * 11/2021 Qiu D10/91
2017/0108371 A1 * 4/2017 Pan G01G 21/28

FOREIGN PATENT DOCUMENTS

CN 303799233 * 1/2016
CN 304054150 * 8/2016
CN 304541077 * 9/2017

(Continued)

OTHER PUBLICATIONS

ACCT, Precision Pocket Scale, Date first available Dec. 6, 2021, [online]retrieved Feb. 9, 2022, available from https://www.amazon.com/dp/B09N36848X/ref=sspa_dk_detail_3?pf_rd_p=b9951ce4-3bd8-4b04-9123-0fda35d6155e&pd_rd_wg=JdAyG&pf_rd_r=NY22D4NCXAPF7ERKY915&pd_rd_w=kcNOz&pd_rd_r=521ffa1a-e69493916144e7 (Year: 2021).*

(Continued)

Primary Examiner — Keli L Hill
Assistant Examiner — Sara S Sahneh

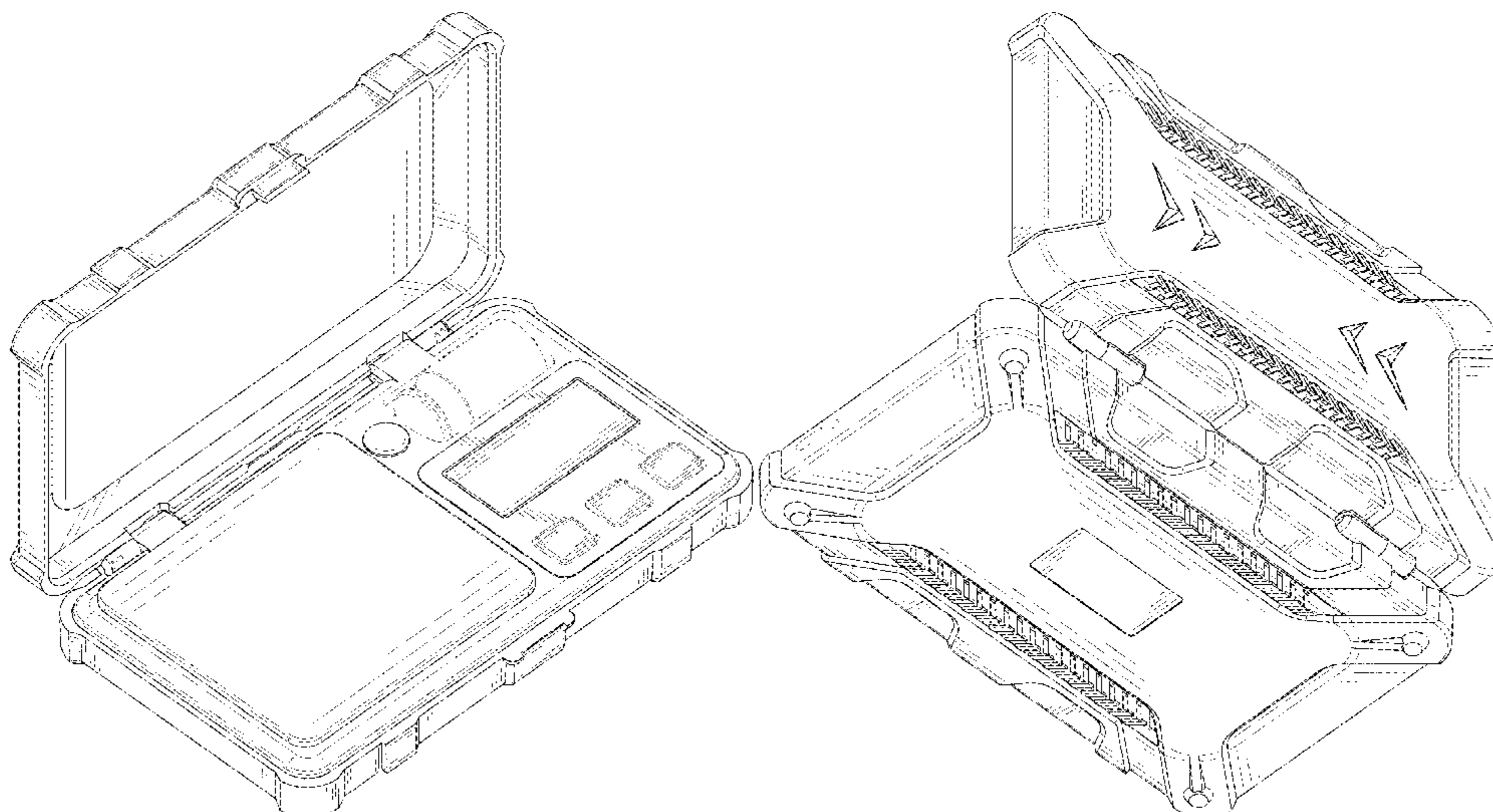
(57) **CLAIM**

The ornamental design for an electronic scale, as shown and described.

DESCRIPTION

FIG. 1 is a front and top perspective view of an electronic scale, showing my new design;
FIG. 2 is a rear and bottom perspective view thereof;
FIG. 3 is a front elevation view thereof;
FIG. 4 is a rear elevation view thereof;
FIG. 5 is a left side elevation view thereof;
FIG. 6 is a right side elevation view thereof;
FIG. 7 is a top plan view thereof; and,
FIG. 8 is a bottom plan view thereof.
The broken lines in the figures illustrate portions of the electronic scale that form no part of the claimed design.

1 Claim, 8 Drawing Sheets



(56)

References Cited

FOREIGN PATENT DOCUMENTS

CN	306260895	*	8/2020
EM	006315230-0001	*	3/2019
EM	008526271-0010	*	4/2021
GB	9007818331-0001	*	4/2020

OTHER PUBLICATIONS

Fuzion Store, TU-X Digital Gram Scale, Date first available May 19, 2021, [online]retrieved Jan. 12, 2022, available from https://www.amazon.com/dp/B095C4SKFL/ref=sspa_dk_detail_1?psc=1&pd_rd_i=B095C4SKFL&pd_rd_w=gPgZ3&pf_rd_p=54ed5474-54a8-4c7f-a88a-45f748d18166&pd_rd_wg=ptYhR&pf_rd_r=T8603EFXJFFKMHDRNDRM&p (Year: 2021).*

Uniweigh ,Travel Digital Pocket Scale, Date first available Oct. 23, 2021, [online]retrieved Feb. 9, 2022, available from https://www.amazon.com/dp/B09NN44QQ1/ref=sspa_dk_detail_8?pf_rd_p=b9951ce4-3bd8-4b04-9123-0fda35d6155e&pd_rd_wg=JdAyG&pf_rd_r=NY22D4NCXAPF7ERKY915&pd_rd_w=kcNOz&pd_rd_r=521ffa1a-e6aa (Year: 2021).*

Precision Store, Pocket Scale, Date first available Dec. 18, 2020, [online]retrieved Feb. 9, 2022, available from https://www.amazon.com/dp/B08G1D895N/ref=sspa_dk_detail_2?psc=1&pd_rd_i=B08G1D895N&pd_rd_w=Q10zZ&pf_rd_p=9fd3ea7c-b77c-42ac-b43b-c872d3f37c38&pd_rd_wg=fB8DP&pf_rd_r=H38AFXSARMQGE8D3AQG2J&pd_rd (Year: 2020).*

* cited by examiner

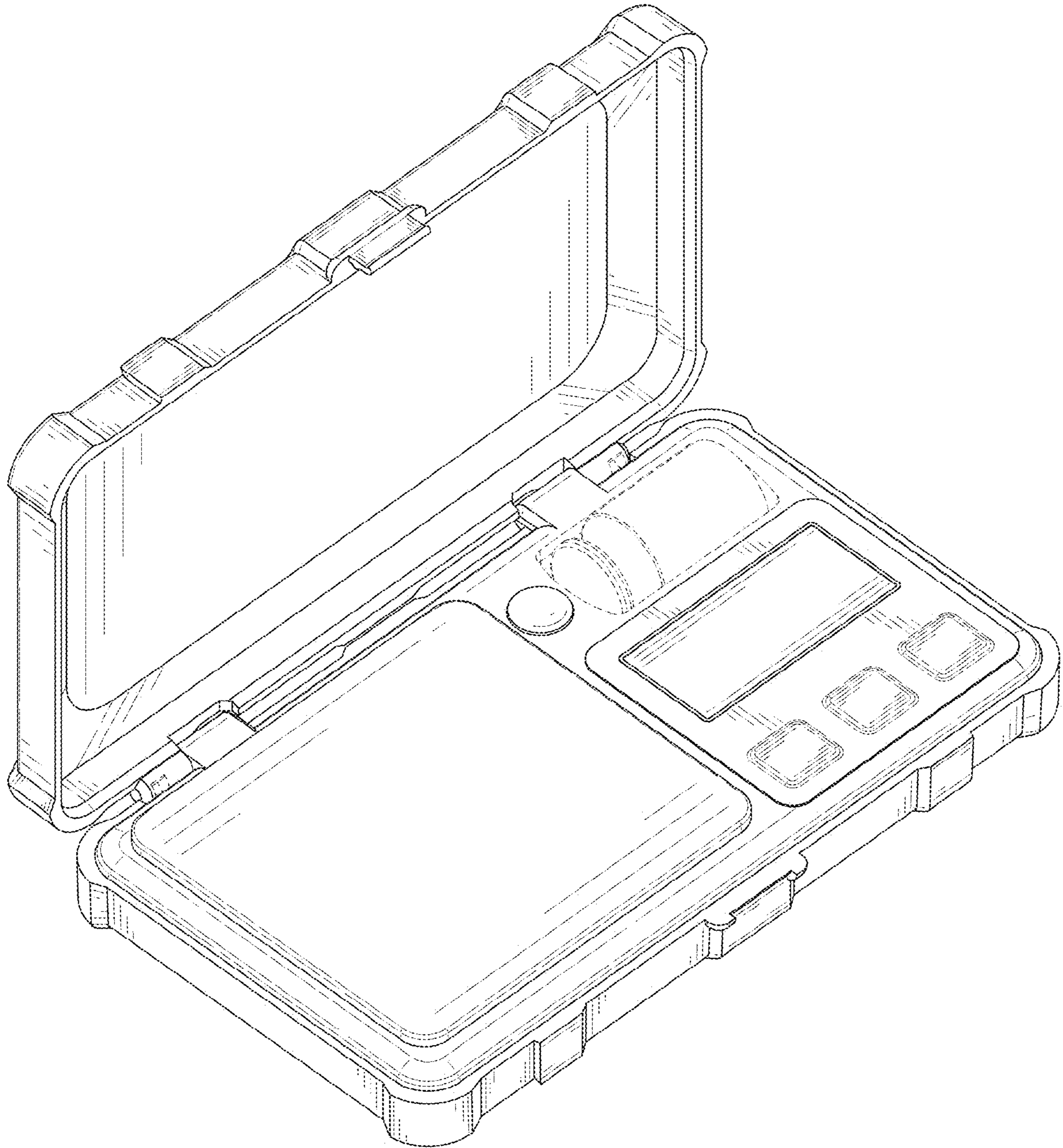


FIG. 1

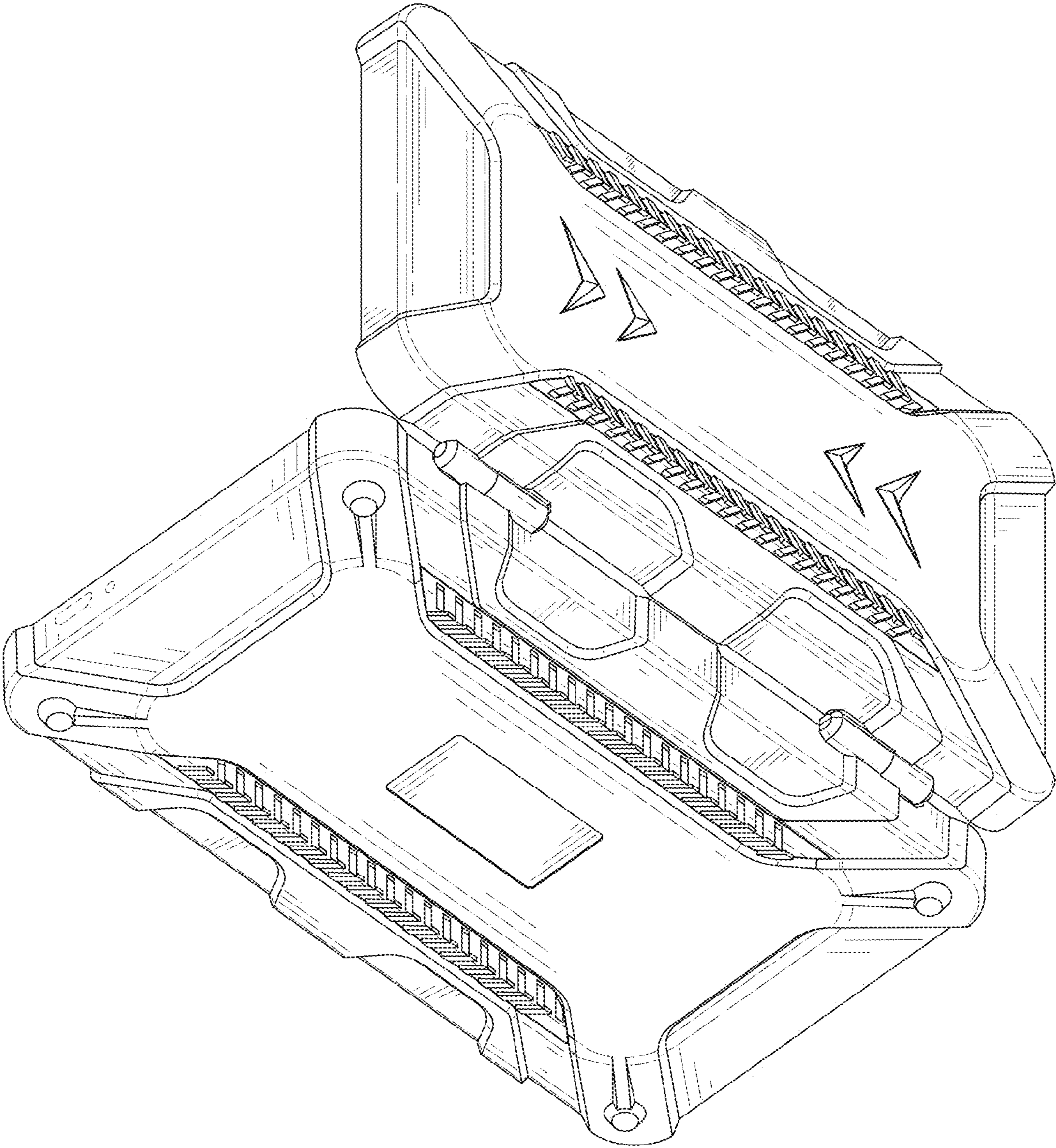


FIG. 2

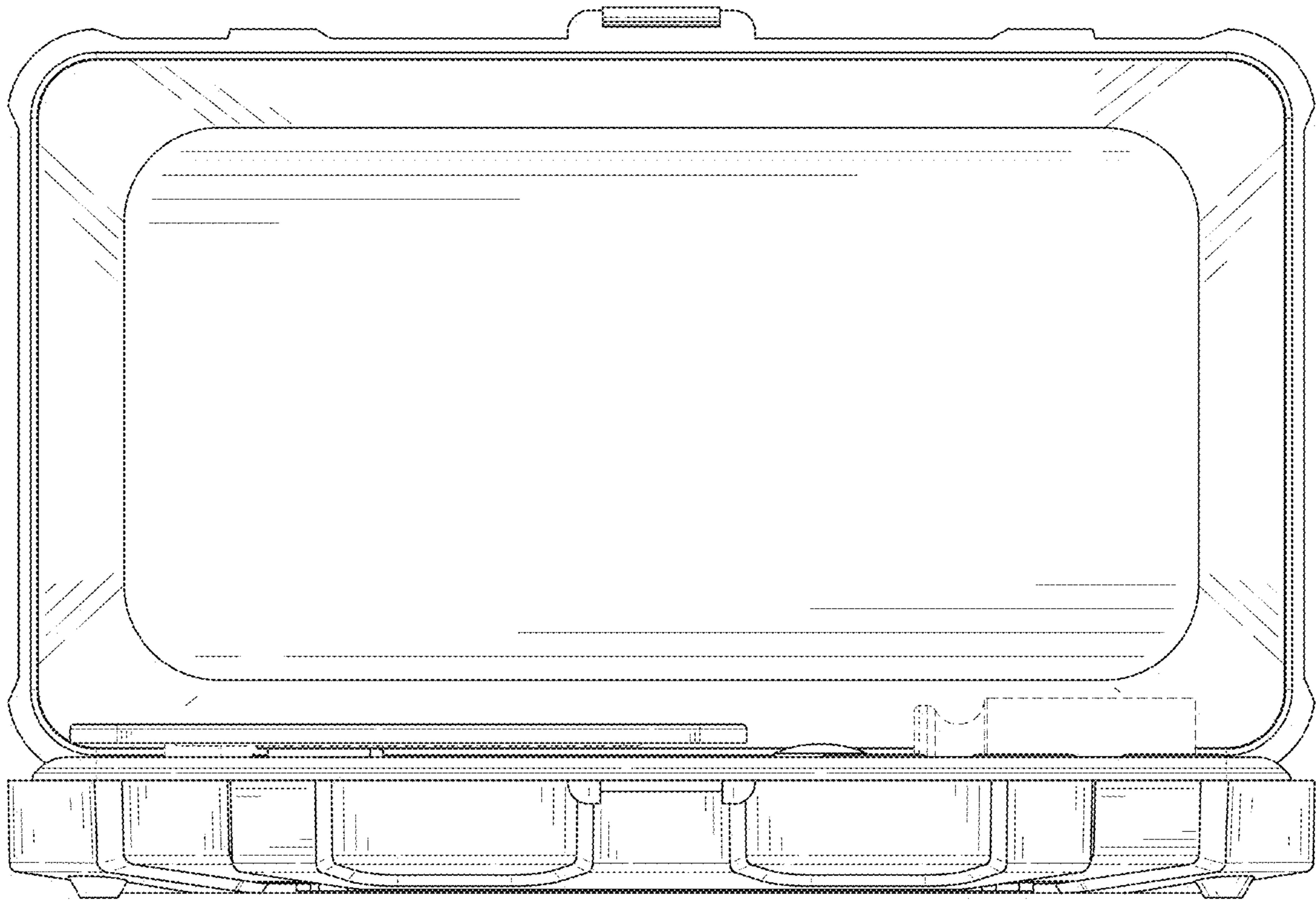


FIG. 3

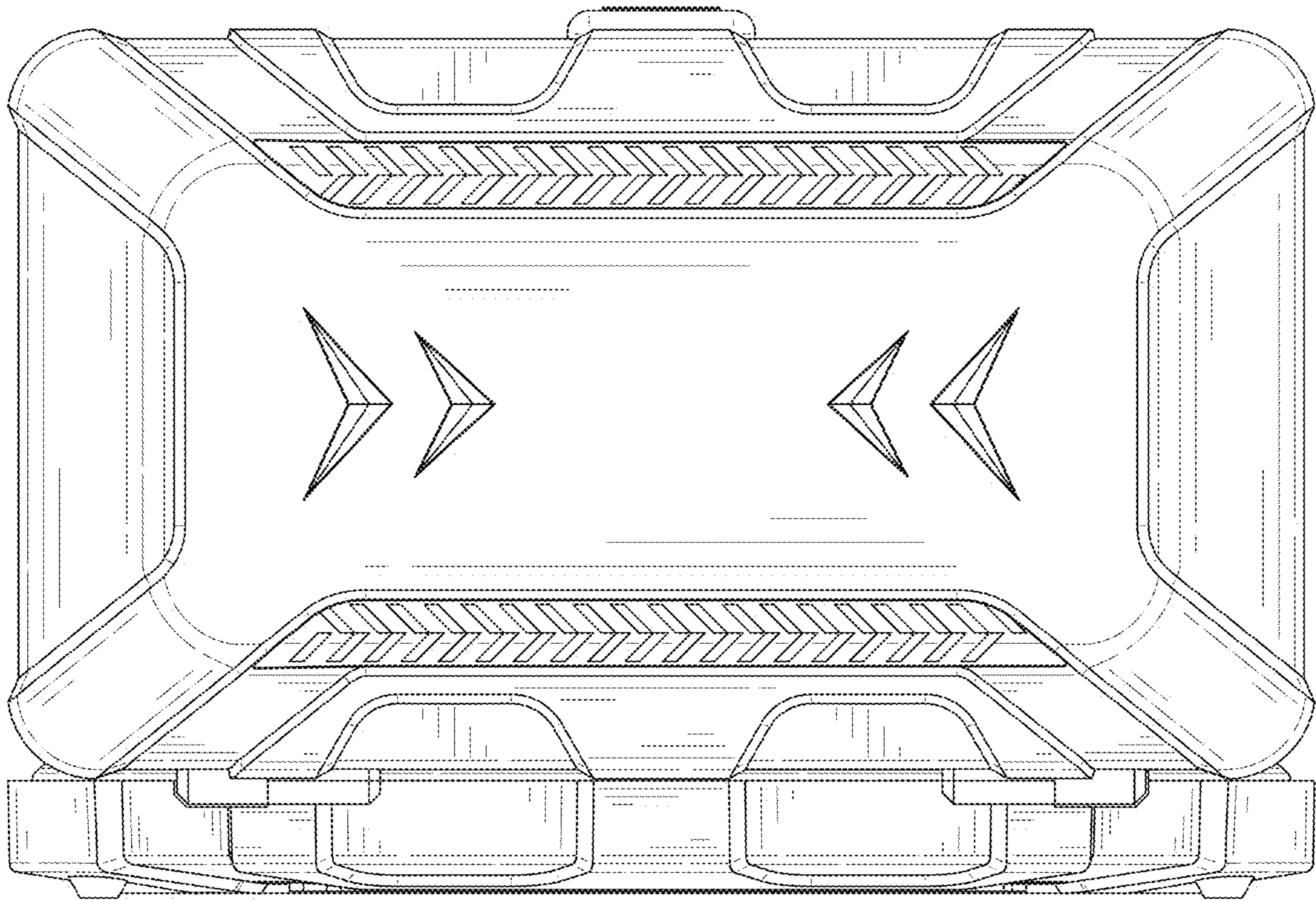


FIG. 4

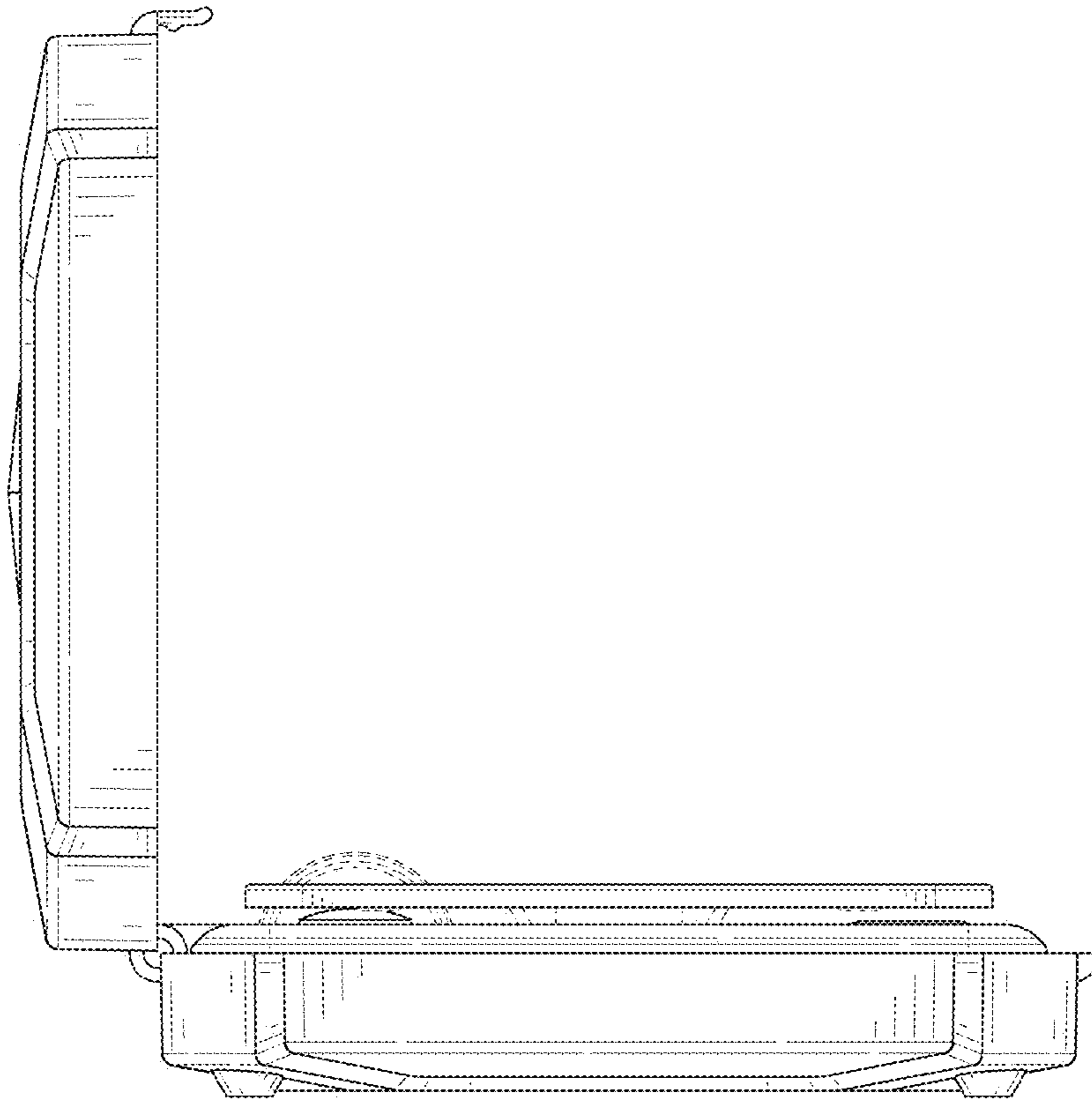


FIG. 5

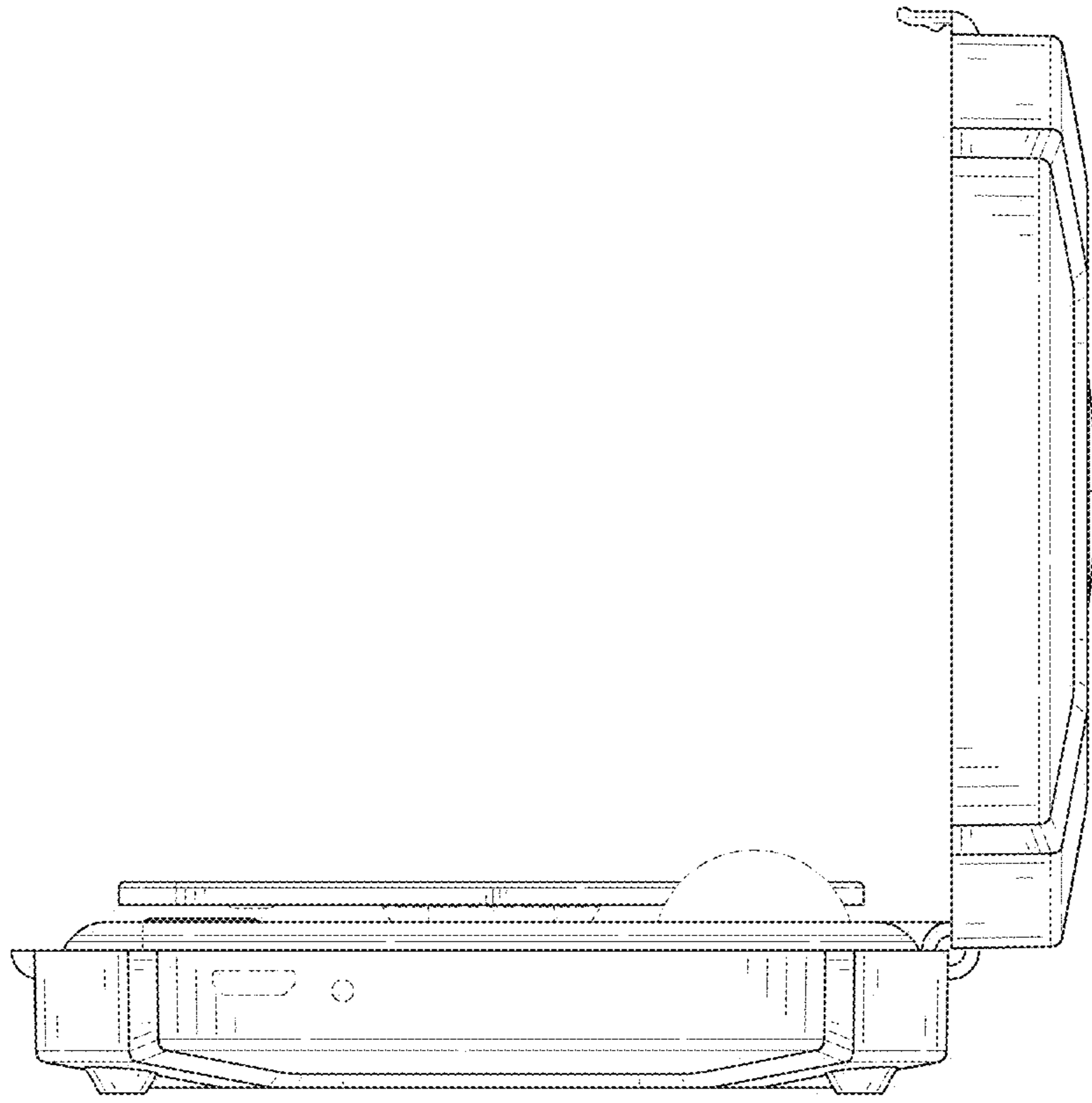


FIG. 6

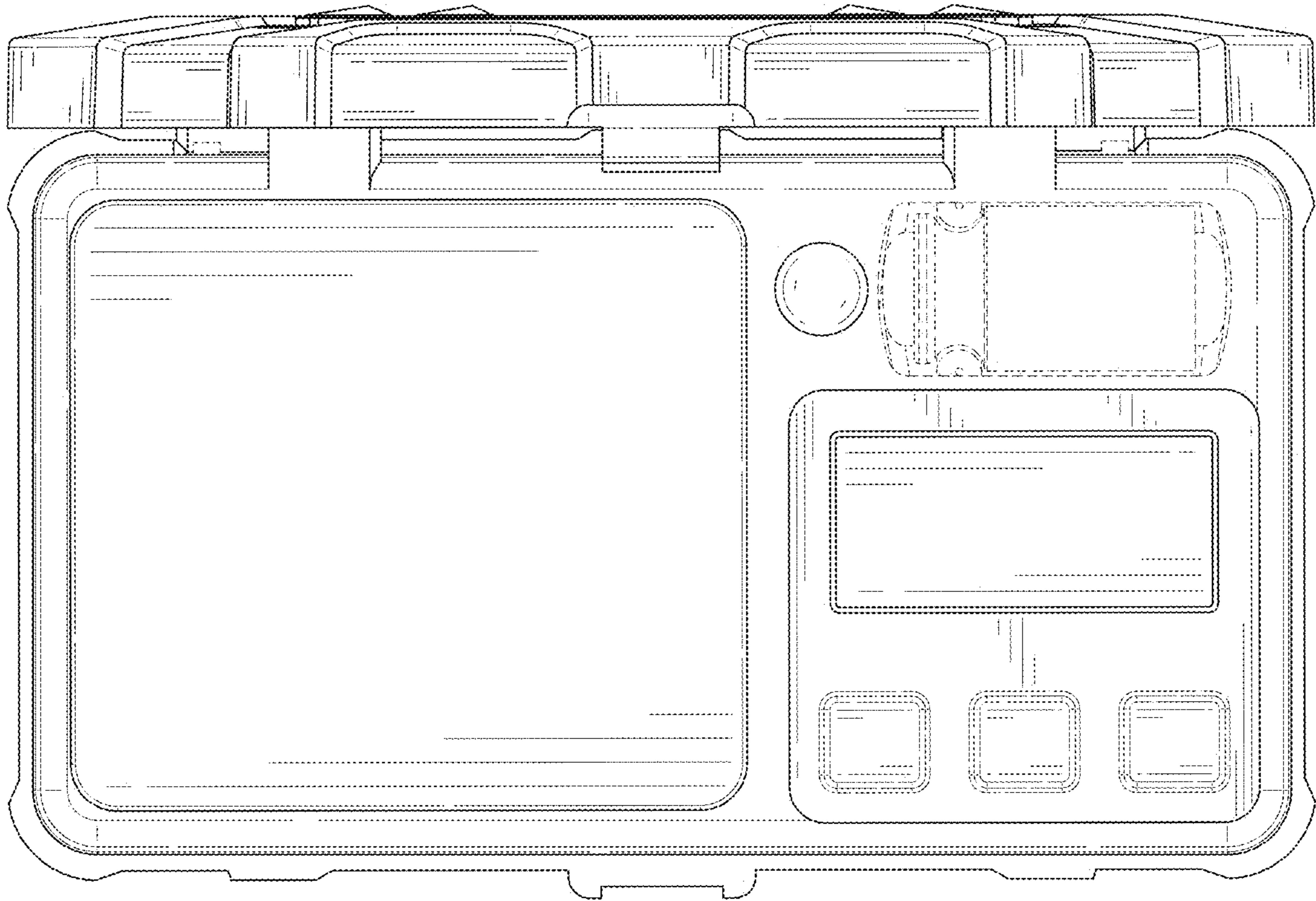


FIG. 7

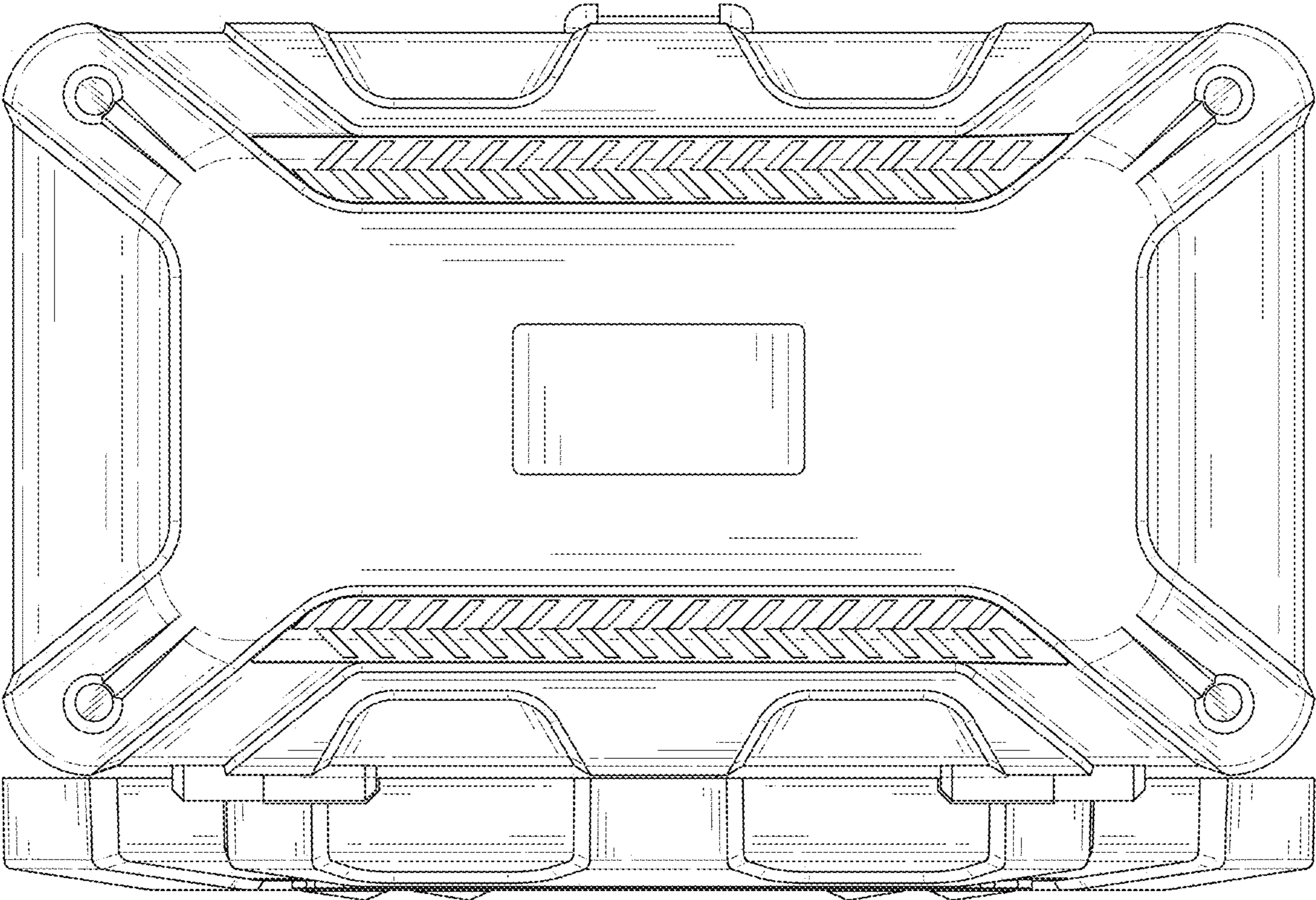


FIG. 8