



US00D962098S

(12) **United States Design Patent** (10) **Patent No.:** **US D962,098 S**
Yu (45) **Date of Patent:** **** Aug. 30, 2022**

(54) **ELECTRONIC SCALE**

10,228,276 B2 * 3/2019 Zhao G01G 21/23
D850,958 S * 6/2019 Pan D10/91
D935,269 S * 11/2021 Xu D7/398

(71) Applicant: **Dongguan Changxie Technology Co., Ltd.**, Dongguan (CN)

FOREIGN PATENT DOCUMENTS

(72) Inventor: **Long Yu**, Feicheng (CN)

CN 305979893 * 4/2020
CN 306669546 * 2/2021
EM 001379341-0001 * 7/2013

(**) Term: **15 Years**

(Continued)

(21) Appl. No.: **29/755,476**

OTHER PUBLICATIONS

(22) Filed: **Oct. 21, 2020**

(51) **LOC (13) Cl.** **10-04**

Smart Weigh Store,Culinary Kitchen Scale,Date first available Sep. 18, 2016, [online]retrieved Feb. 15, 2022,available from [https://www.amazon.com/Smart-Weigh-kilograms-Platforms-Ingredients/dp/B01LXXBQWD/ref=sr_1_56?crid=3KHK3JL74X1MQ&keywords=kitchen+scale&qid=1644965960&sprefix=kitchen+scale%2Caps%20\(Year: 2016\).](https://www.amazon.com/Smart-Weigh-kilograms-Platforms-Ingredients/dp/B01LXXBQWD/ref=sr_1_56?crid=3KHK3JL74X1MQ&keywords=kitchen+scale&qid=1644965960&sprefix=kitchen+scale%2Caps%20(Year: 2016).)*

(52) **U.S. Cl.**

USPC **D10/91**

(58) **Field of Classification Search**

USPC D10/83-96

CPC G01G 21/28; G01G 21/00; G01G 19/414;

G01G 19/4144; G01G 19/42; G01G

23/166; G01G 21/30; G01G 23/3728;

G01G 23/3735; G01G 19/44; G01G 3/14;

G01G 19/46; G01G 19/48; G01G 19/50;

G01G 21/44; A61B 5/053; A61B 5/4872;

A61B 5/0537; A61B 5/4869; A61B

5/6825; A61B 5/6829; A61B 5/7445;

A61B 5/1072; G06Q 20/3678; G06Q

20/387; G06Q 20/065; G06Q 20/36;

G06Q 20/06; G06Q 20/208; G09B 19/00;

G16H 20/00; G16H 40/63; F16F 1/123

See application file for complete search history.

(Continued)

Primary Examiner — Keli L Hill

Assistant Examiner — Sara S Sahneh

(57)

CLAIM

The ornamental design for an electronic scale, as shown and described.

DESCRIPTION

FIG. 1 is a front and top perspective view of an electronic scale, showing my new design;

FIG. 2 is a rear and bottom perspective view thereof;

FIG. 3 is a front elevational view thereof;

FIG. 4 is a rear elevational view thereof;

FIG. 5 is a left side elevational view thereof;

FIG. 6 is a right side elevational view thereof;

FIG. 7 is a top plan view thereof; and,

FIG. 8 is a bottom plan view thereof.

The broken lines in the figures illustrate portions of the electronic scale that form no part of the claimed design.

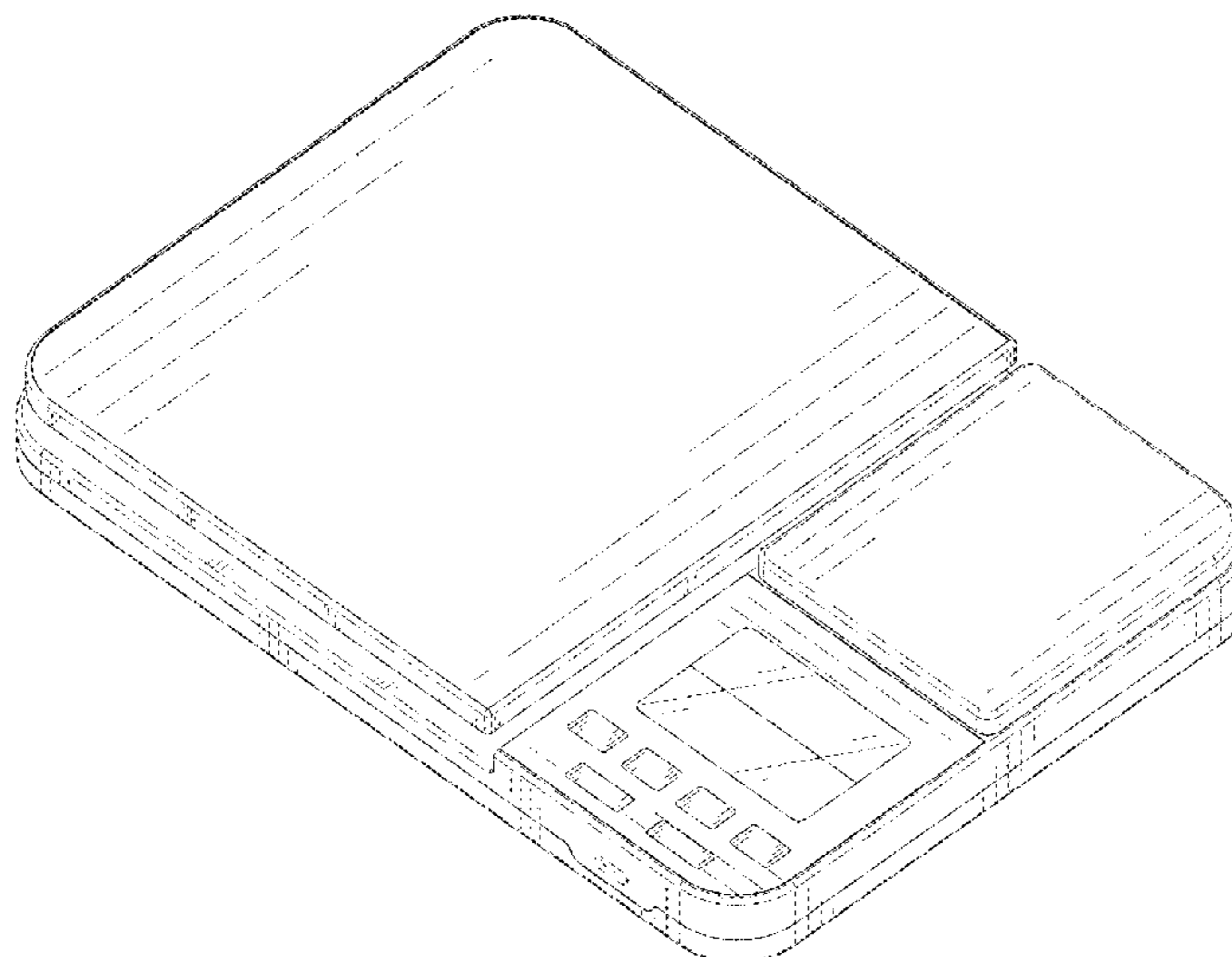
(56)

References Cited

U.S. PATENT DOCUMENTS

D410,397 S * 6/1999 Kurata D10/91
D550,109 S * 9/2007 Kesselman D10/91
D578,421 S * 10/2008 Kesselman D10/91
D586,679 S * 2/2009 Kurata D10/91
D615,434 S * 5/2010 Regard D10/91
D650,714 S * 12/2011 Pan D10/92
D702,144 S * 4/2014 Kobayakawa D10/91
D765,527 S * 9/2016 Arai D10/91
D791,628 S * 7/2017 Ganrude D10/91
D838,200 S * 1/2019 Li D10/91

1 Claim, 8 Drawing Sheets



(56)

References Cited

FOREIGN PATENT DOCUMENTS

EM	006738787-0002	*	8/2019
EM	007942784-0001	*	11/2019
EM	007369111-0001	*	12/2019
JP	D1539750	*	7/2015

OTHER PUBLICATIONS

KitchenAid, Dual Platform Digital Kitchen and Food Scale, Date first available Oct. 3, 2019, [online]retrieved Feb. 15, 2022,available from https://www.amazon.com/KitchenAid-KQ909-Platform-Digital-capacity/dp/B07YP9KN8P/ref=psdc_678508011_t2_B01LXXBQWD (Year: 2019).*

Rcruvvh, Food Scale, Date first available Jul. 10, 2021, [online]retrieved Feb. 15, 2022,available from https://www.amazon.com/Rcruvvh-Precision-9-8x6-6in-Stainless-Waterproof/dp/B0993FMJ65/ref=sr_1_97_sspa?crd=3KHK3JL74X1MQ&keywords=kitchen%2Bscale&qid=1644965984&sprefix=kitchen%2Bscale%2Caps%2C75&sr=8-97 (Year: 2021).*

* cited by examiner

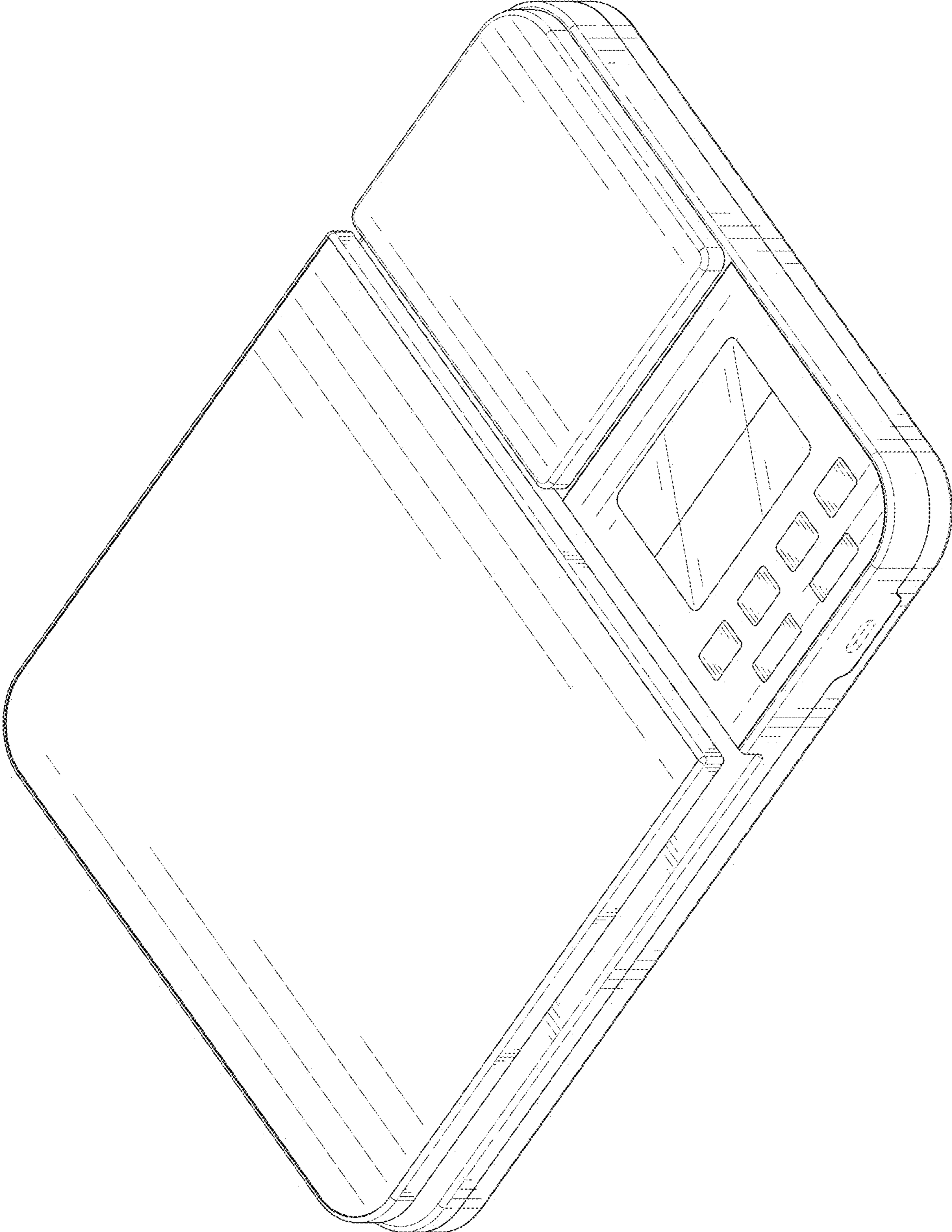


FIG. 1

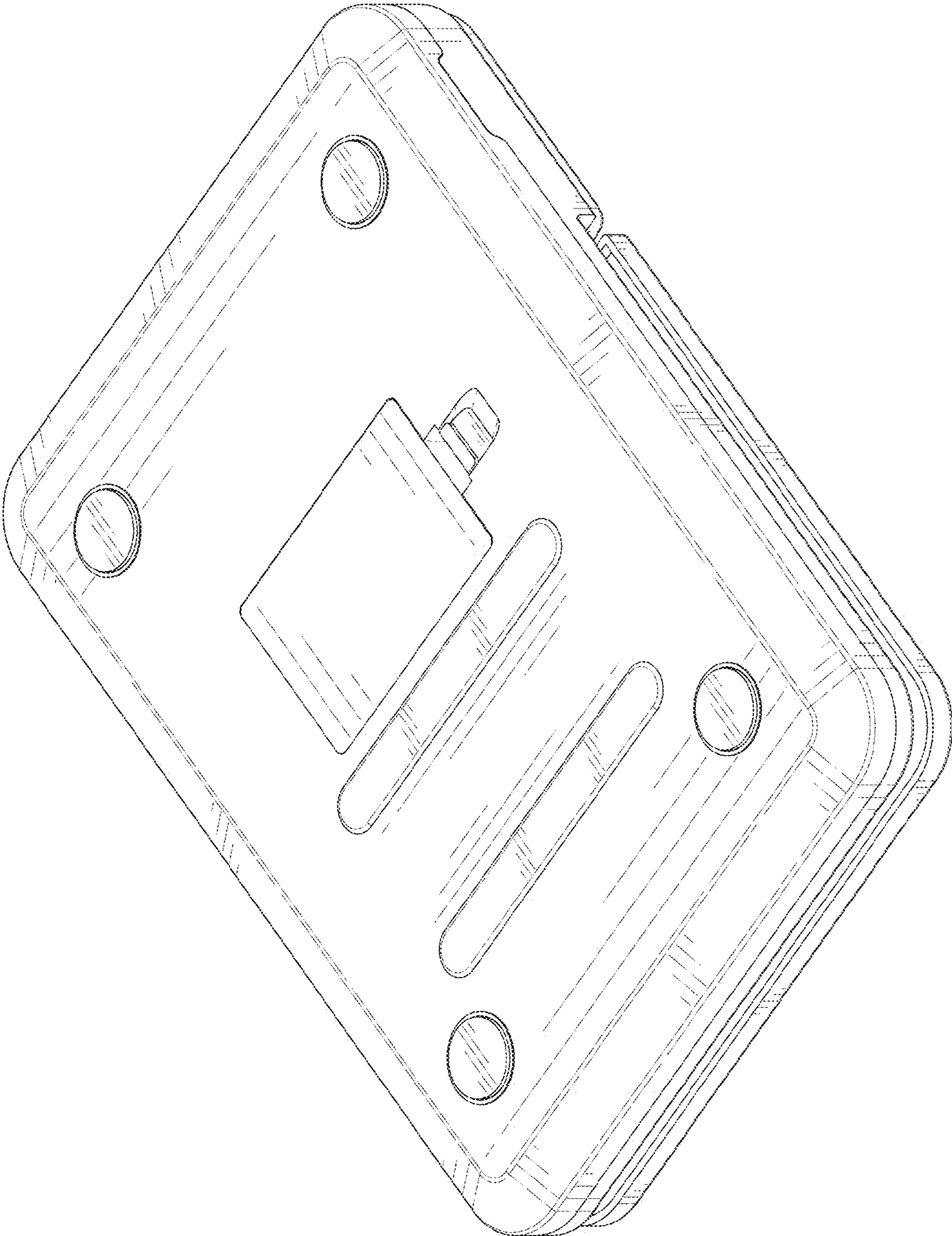


FIG. 2

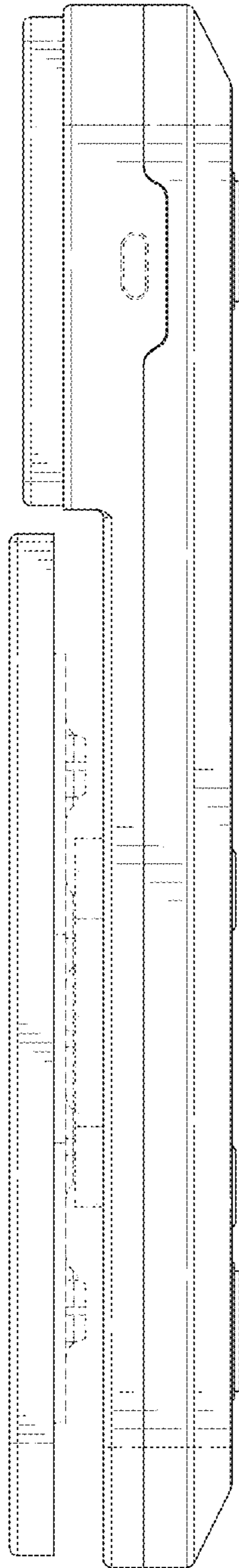


FIG. 3

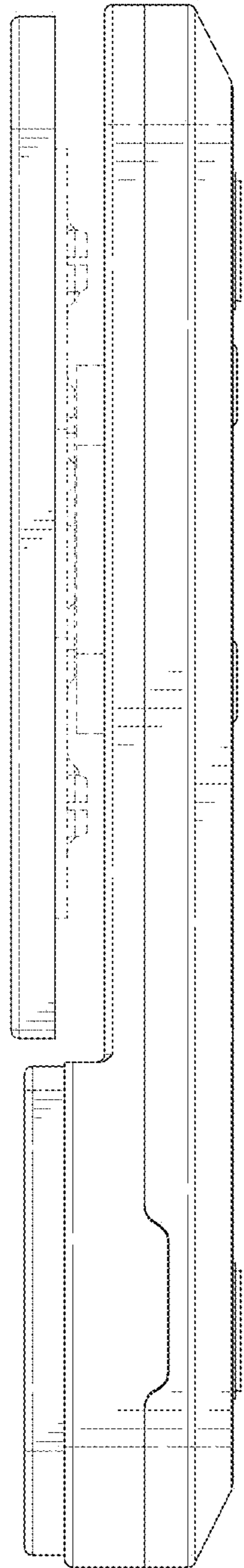


FIG. 4

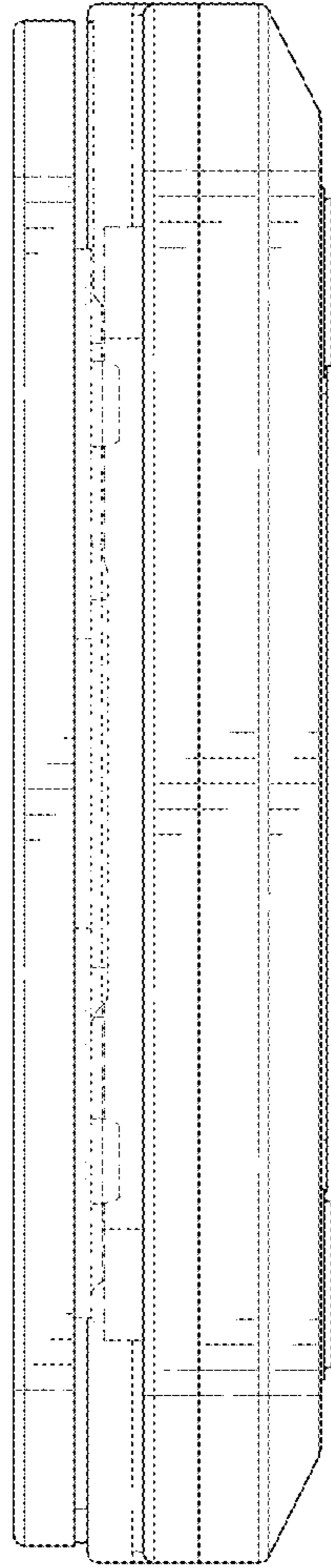


FIG. 5

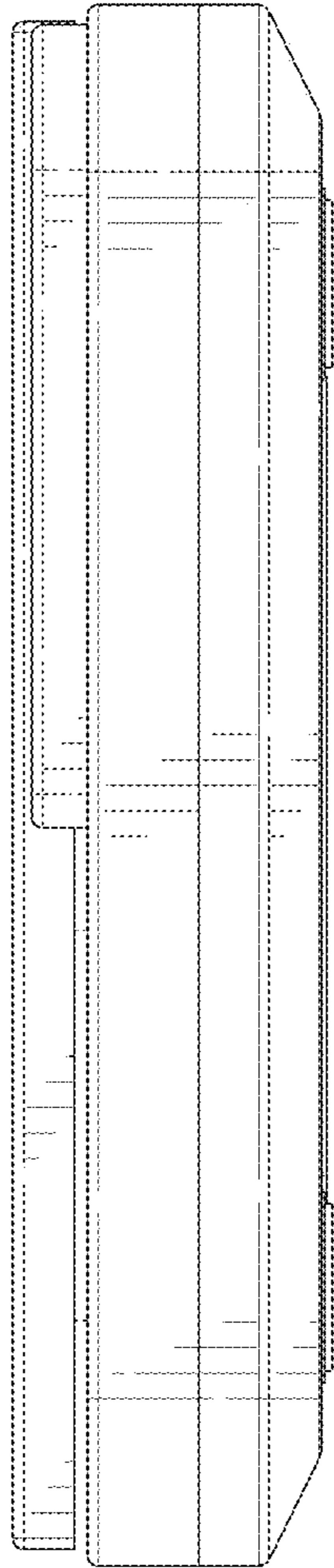


FIG. 6

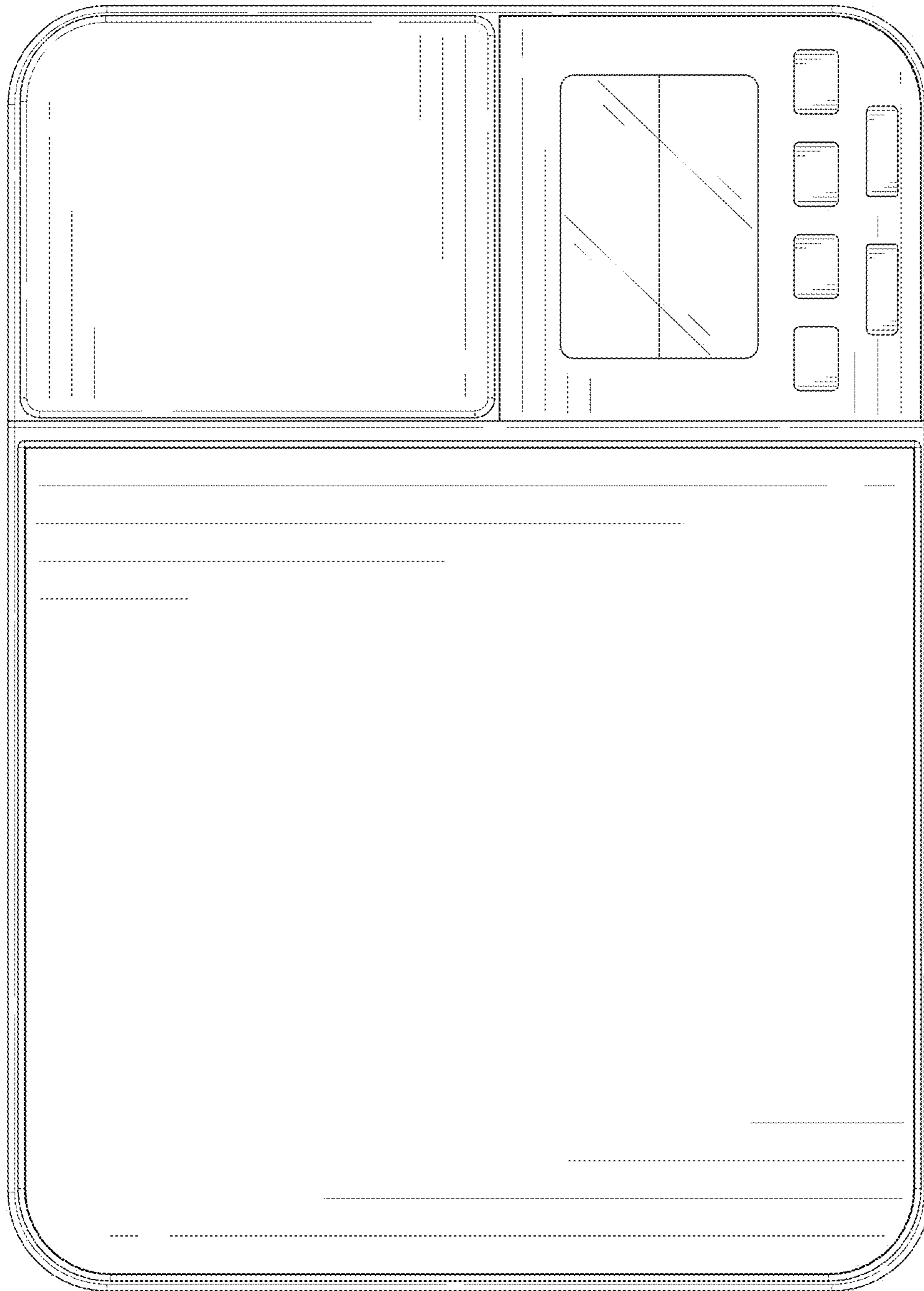


FIG. 7

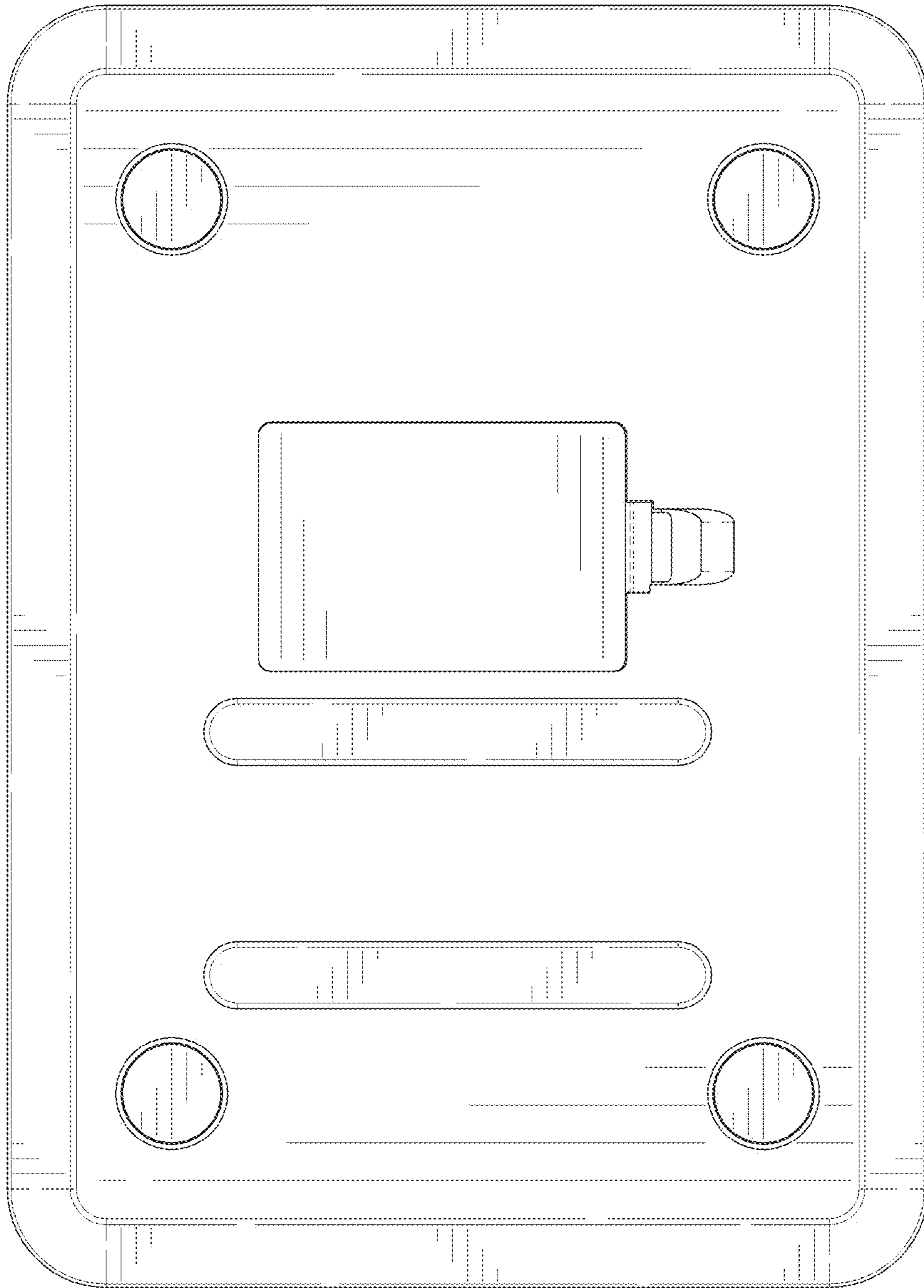


FIG. 8