



US00D962097S

(12) **United States Design Patent** (10) **Patent No.:** **US D962,097 S**
Dou et al. (45) **Date of Patent:** **** Aug. 30, 2022**

(54) **BANDAGE TYPE TIRE PRESSURE MONITORING SENSOR**

(71) Applicant: **Suzhou Sate Auto Electronic Co., Ltd.**, Jiangsu Province (CN)

(72) Inventors: **Xiaodong Dou**, Jiangsu Province (CN); **Zhenfei Liang**, Jiangsu Province (CN)

(73) Assignee: **Suzhou Sate Auto Electronic Co., Ltd.**, Jiangsu Province (CN)

(**) Term: **15 Years**

(21) Appl. No.: **29/732,528**

(22) Filed: **Apr. 24, 2020**

(30) **Foreign Application Priority Data**

Sep. 12, 2019 (CN) 201930503732.6

(51) **LOC (13) Cl.** **10-05**

(52) **U.S. Cl.**
USPC **D10/86**

(58) **Field of Classification Search**
USPC D10/81-86, 94-103
CPC B60C 23/0491; B60C 23/0452; B60C 23/0493; B60C 23/04; B60C 23/0498; B60C 23/0496; B60C 23/0479; B60C 23/04985; B60C 23/0408; H01Q 1/2241; H01Q 7/00; B29D 2030/0072; B29D 2030/0077; Y10T 152/10

See application file for complete search history.

(56) **References Cited**

U.S. PATENT DOCUMENTS

D567,126 S * 4/2008 Zheng D10/86
D670,588 S * 11/2012 Chen D10/86
D734,188 S * 7/2015 Tsunoda D10/86
D875,575 S * 2/2020 Fagnot D10/70
D904,911 S * 12/2020 Lu D10/86

2006/0162436 A1* 7/2006 Ito B60C 23/0408 73/146
2006/0220812 A1* 10/2006 Luce B60C 23/04985 340/442
2012/0204634 A1* 8/2012 Yu B60C 23/0494 73/146.8
2013/0333459 A1* 12/2013 Yu B60C 23/0494 73/146.8
2017/0240007 A1* 8/2017 Chuang B60C 23/20 (Continued)

FOREIGN PATENT DOCUMENTS

CN 303255418 * 11/2014
CN 304656545 * 12/2017
CN 306830955 * 4/2021
CN 307000761 * 11/2021

(Continued)

OTHER PUBLICATIONS

Cap Art Store, Tire Valve Stem Caps, Date first available Apr. 14, 2021, [online]retrieved Jan. 20, 2022,available from [\(Continued\)](https://www.amazon.com/Marsflex-42607-33011-42607-33021-42607-06011-42607-0E011/dp/B092HXSBGZ/ref=sr_1_20?crd=1X54H809TMAVL&keywords=tire+pressure+sensor&qid=1642720576&srefix=tire+pre (Year: 2021).*</p></div>
<div data-bbox=)

Primary Examiner — Keli L Hill
Assistant Examiner — Sara S Sahneh
(74) *Attorney, Agent, or Firm* — Shumaker & Sieffert, P.A.

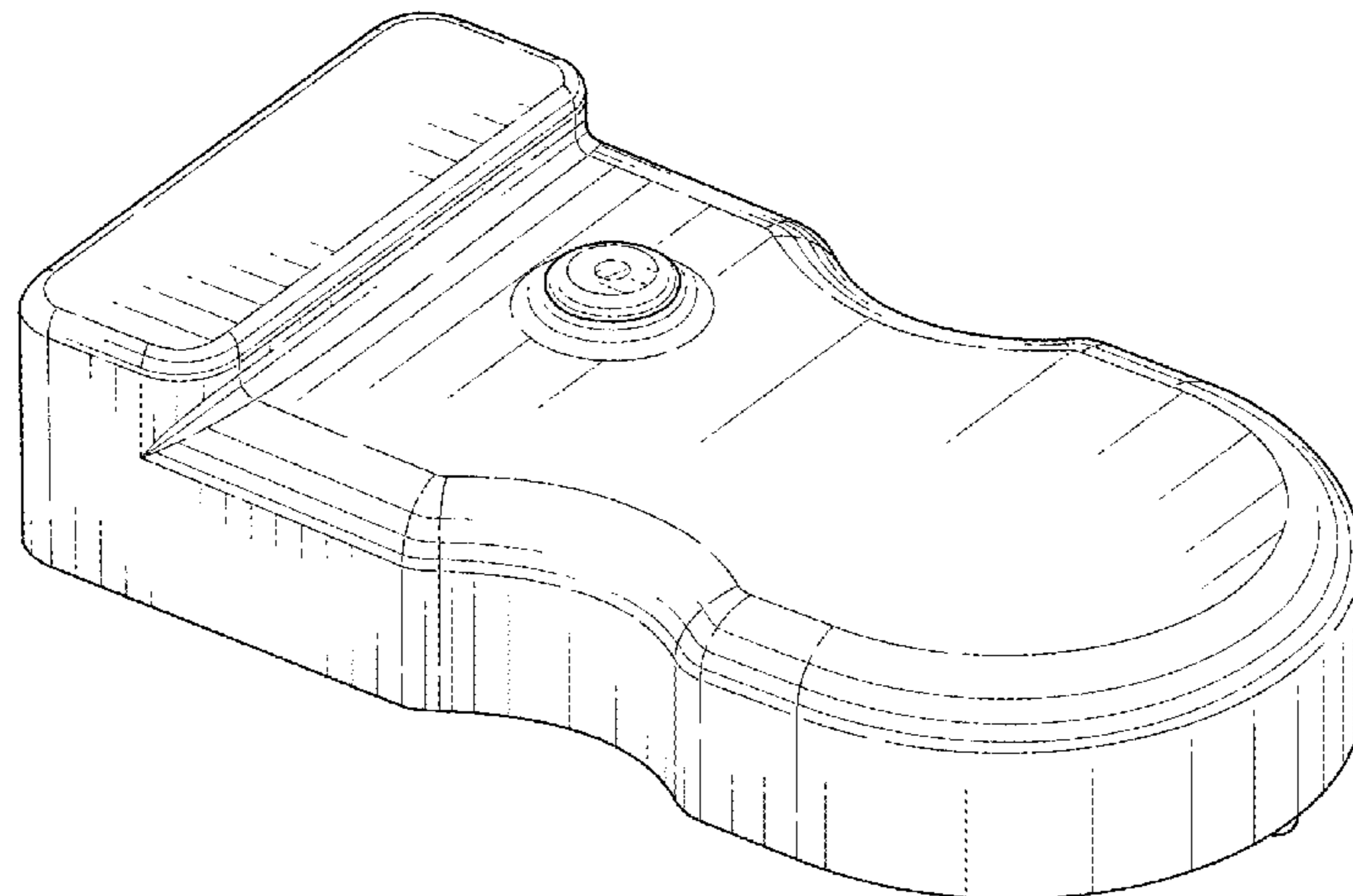
(57) **CLAIM**

The ornamental design for a bandage type tire pressure monitoring sensor, as shown and described.

DESCRIPTION

FIG. 1 is an overhead perspective view of a bandage-type tire pressure monitoring sensor showing our new design; FIG. 2 is a front elevational view thereof; FIG. 3 is a rear elevational view thereof; FIG. 4 is a left side elevational view thereof; FIG. 5 is a right side elevational view thereof; FIG. 6 is a top plan view thereof; and, FIG. 7 is a bottom plan view thereof.

1 Claim, 3 Drawing Sheets



(56)

References Cited

U.S. PATENT DOCUMENTS

2020/0039301 A1* 2/2020 McClurg B60C 23/0494
2020/0130433 A1* 4/2020 Stewart H01Q 7/00
2021/0252816 A1* 8/2021 So B29D 30/0061

FOREIGN PATENT DOCUMENTS

GB 9005933017-0001 * 12/2018
GB 9007787742-0003 * 4/2020
KR 300913193.0000 * 11/2016

OTHER PUBLICATIONS

Marsflex Store, TPMS Sensor Compatible, Date first available Apr. 14, 2021 [online]retrieved Jan. 20, 2022, available from https://www.amazon.com/dp/B092HK5NJB/ref=sspa_dk_detail_3?psc=1&pd_rd_i=B092HK5NJB&pd_rd_w=nXg77&pf_rd_p=54ed5474-54a8-4c7f-a88a-45f748d18166&pd_rd_wg=457Gz&pf_rd_r=Q5R5WG0QBMW2Q856VHS2 (Year: 2021).*

Elikliv Store, RV Tire Pressure Monitoring System, Date first available Nov. 4, 2019, [online]retrieved Nov. 15, 2021, available from https://www.amazon.com/Elikliv-Pressure-Monitoring-Real-time-Temperature/dp/B07ZZ2RCX7/ref=psdc_2201764011_t4_B092Z8TQL1 (Year: 2019).*

B-Qtech Store, Solar Power Tire Pressure Monitoring System, Date first available Apr. 29, 2019, [online]retrieved Nov. 15, 2021, available from https://www.amazon.com/dp/B07Q5ZFG4F/ref=sspa_dk_detail_8?pd_rd_i=B07Q5ZFG4F&pd_rd_w=Aw3MN&pf_rd_p=9fd3ea7c-b77c-42ac-b43b-c872d3f37c38&pd_rd_wg=rCJTE&pf_rd_r=B (Year: 2019).*

* cited by examiner

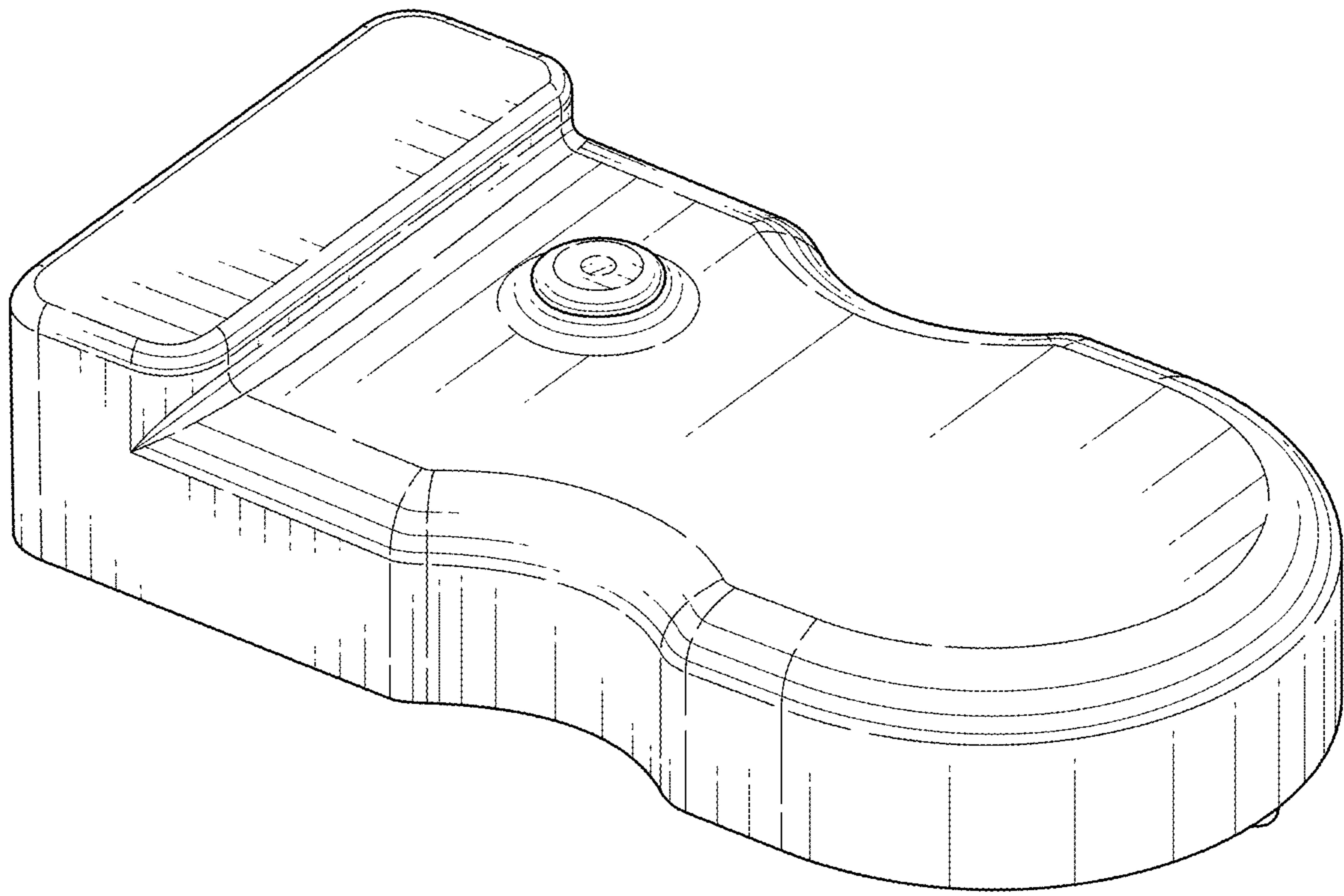


FIG. 1

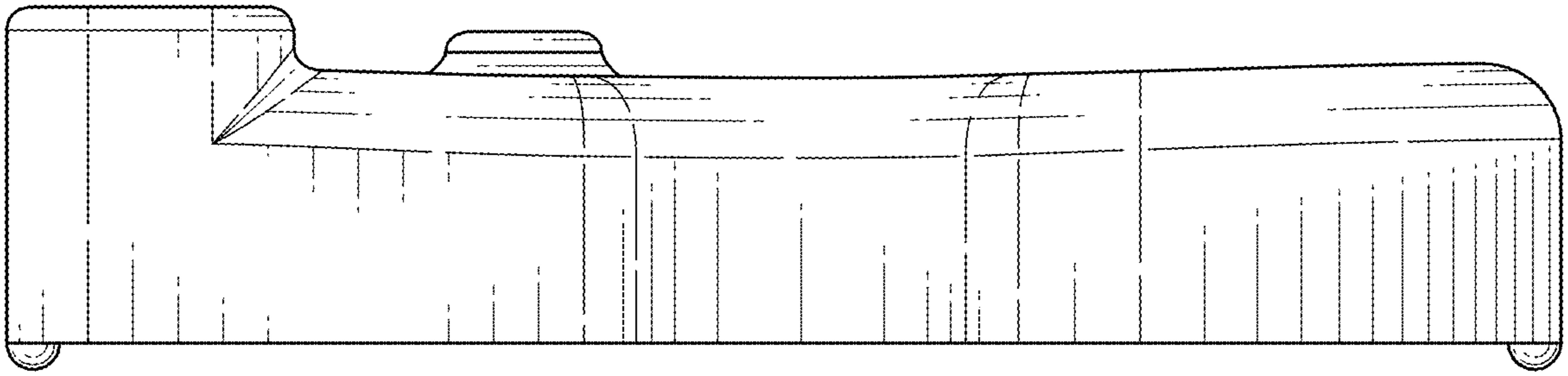


FIG. 2

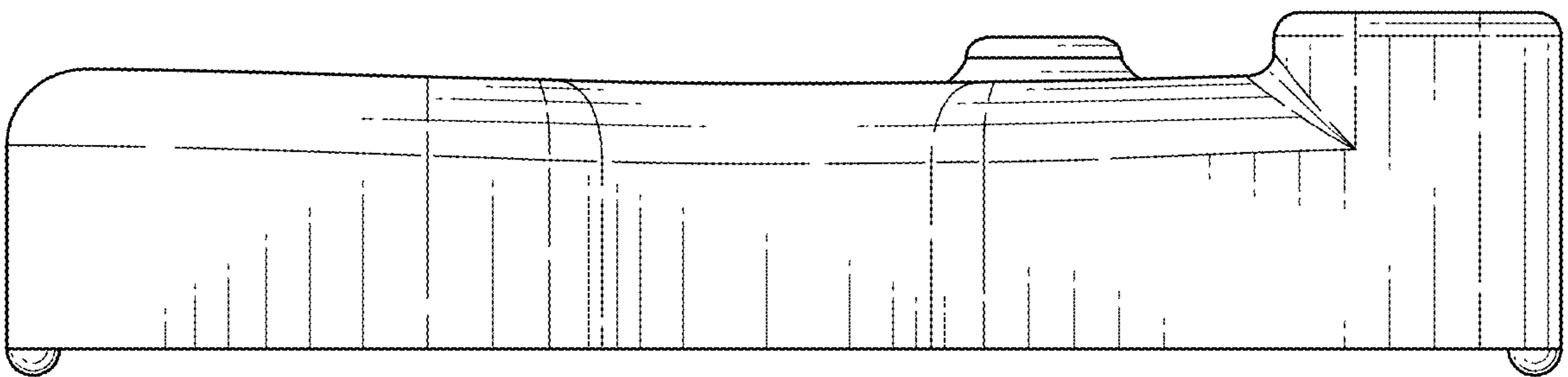


FIG. 3

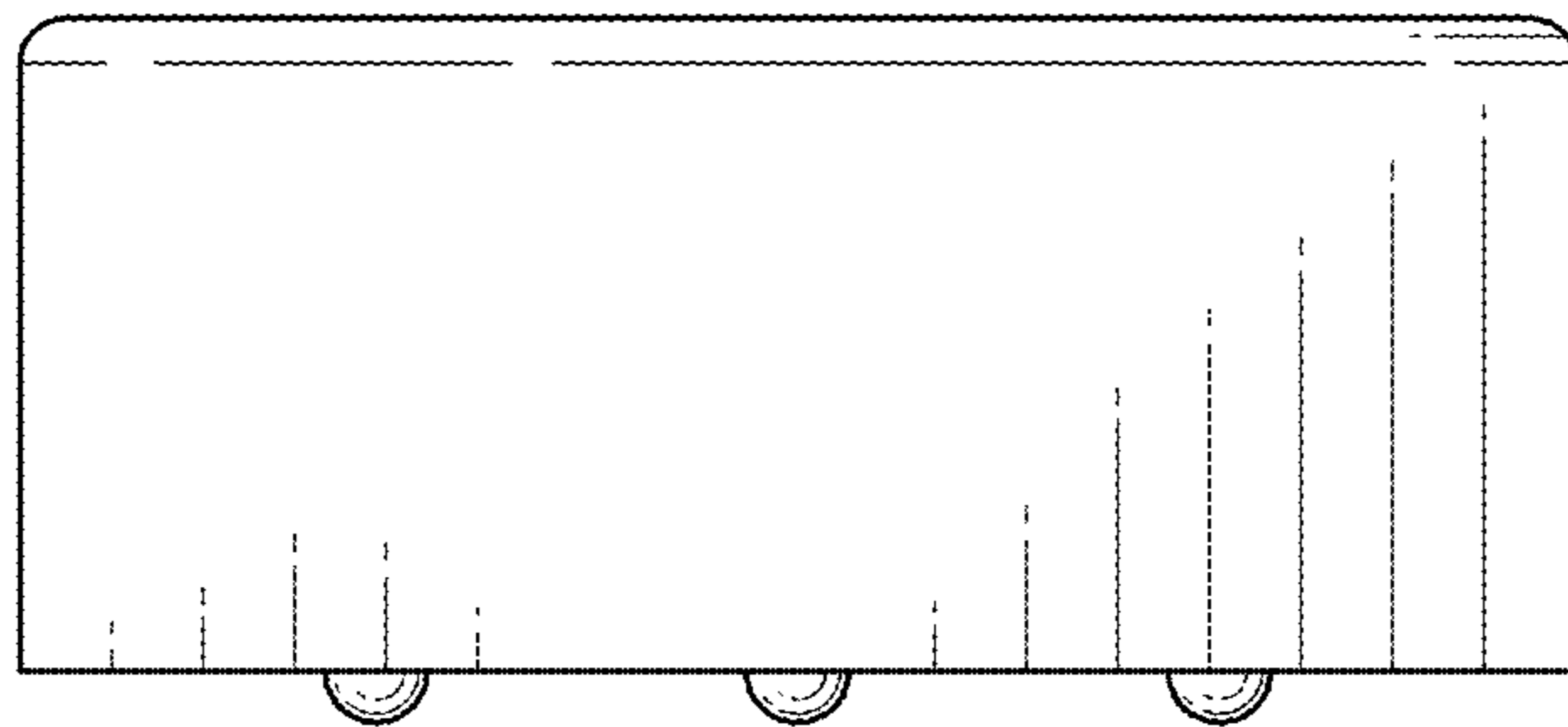


FIG. 4

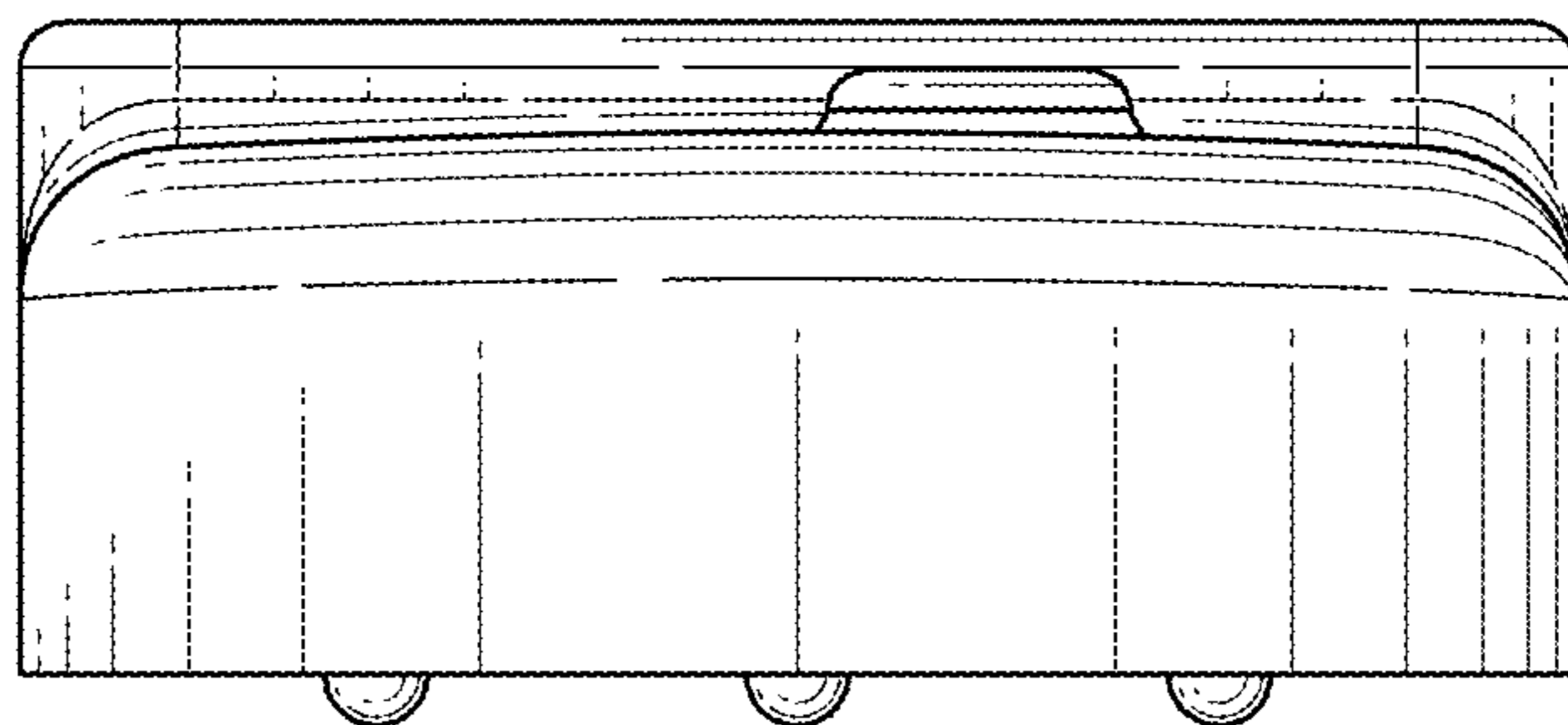


FIG. 5

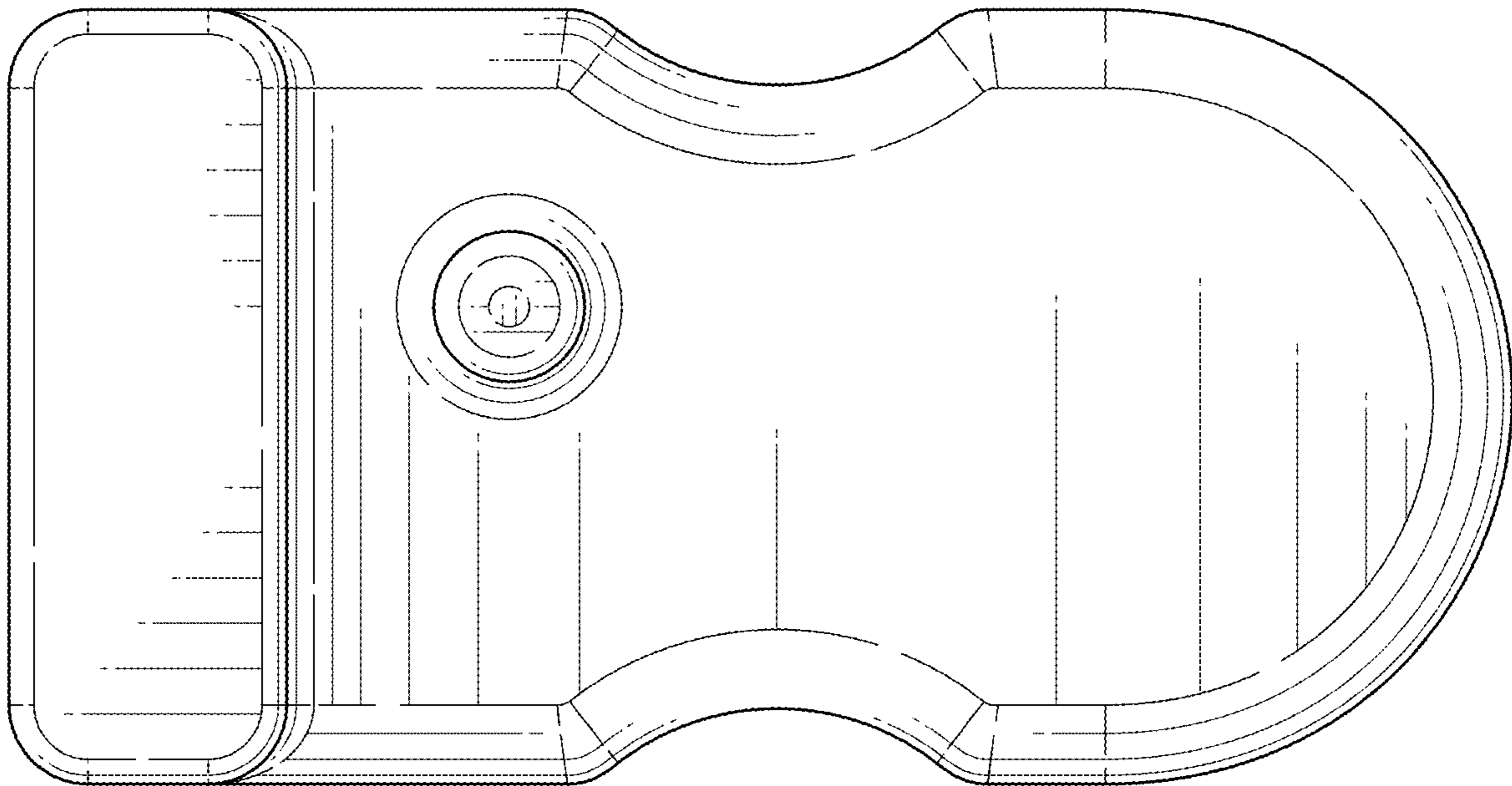


FIG. 6

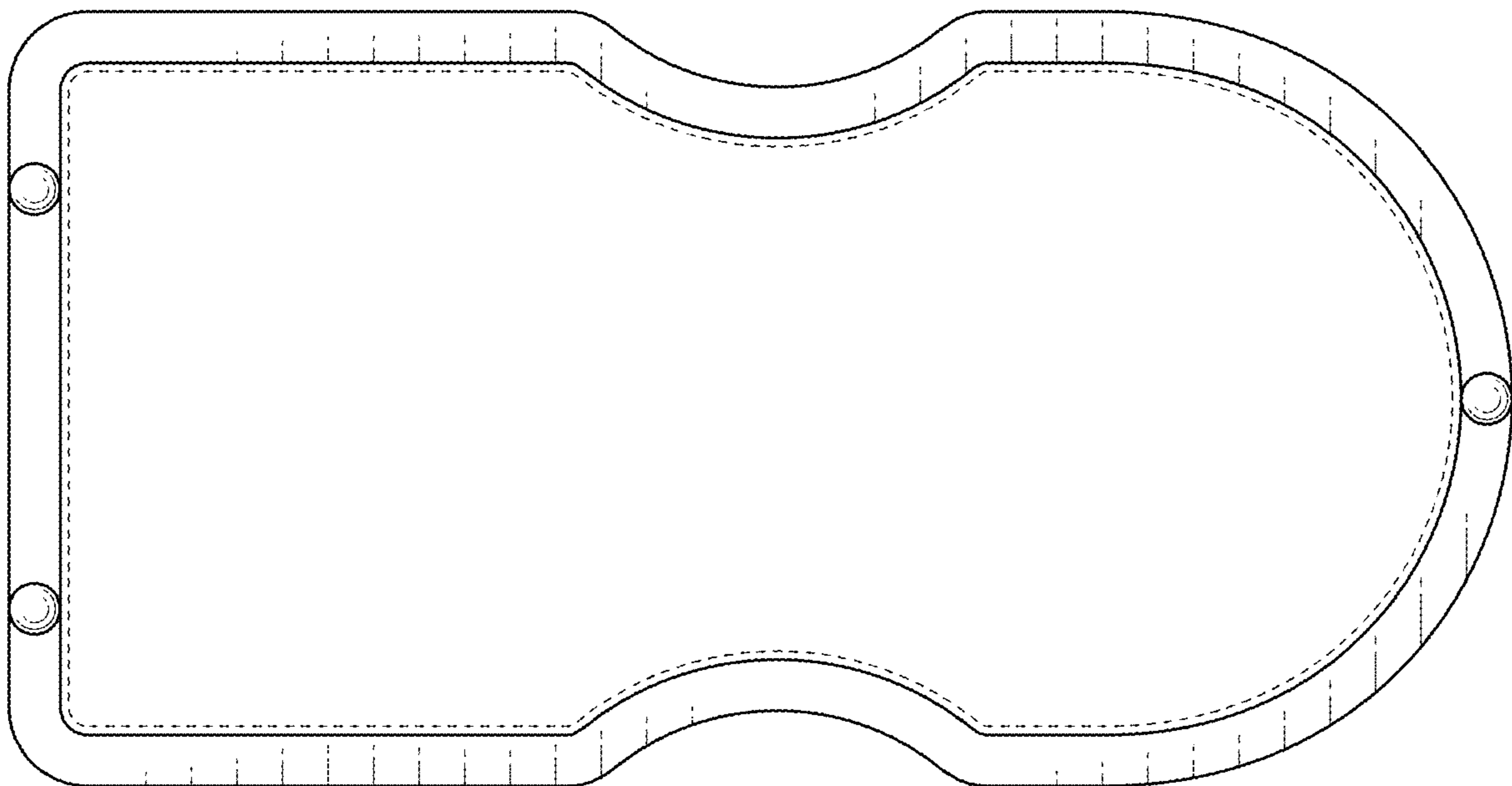


FIG. 7