



US00D962094S

(12) **United States Design Patent**
Francisco

(10) **Patent No.:** **US D962,094 S**

(45) **Date of Patent:** **** Aug. 30, 2022**

(54) **GOLF RANGEFINDER**

(71) Applicant: **Blue Tees Enterprises, LLC**, San Francisco, CA (US)

(72) Inventor: **Brandon Francisco**, San Francisco, CA (US)

(73) Assignee: **BLUE TEES ENTERPRISES, LLC**, San Francisco, CA (US)

(**) Term: **15 Years**

(21) Appl. No.: **29/767,225**

(22) Filed: **Jan. 21, 2021**

(51) **LOC (13) Cl.** **10-04**

(52) **U.S. Cl.**
USPC **D10/70; D16/132**

(58) **Field of Classification Search**
USPC D10/66, 70, 74; D16/132, 136, 220; D22/109, 199

CPC . A63B 69/36; A63B 2220/12; A63B 2220/20; A63B 2220/805; A63B 57/00; A63B 2220/13; A63B 2102/32; G01S 19/19; F41G 3/06; G03B 13/20

See application file for complete search history.

(56) **References Cited**

U.S. PATENT DOCUMENTS

D448,315 S *	9/2001	Ito	D10/70
D453,301 S *	2/2002	Vermillion	D10/66
D525,544 S *	7/2006	Nojima	D10/70
D547,780 S *	7/2007	Meinzer	D16/132
D611,848 S *	3/2010	Liu	D10/70
D647,159 S *	10/2011	Kobayashi	D22/109
D683,374 S *	5/2013	Yokoi	D16/132
D683,375 S *	5/2013	Yokoi	D16/132
D683,376 S *	5/2013	Yokoi	D16/132
D683,377 S *	5/2013	Yokoi	D16/132
D683,378 S *	5/2013	Yokoi	D16/132

D723,080 S *	2/2015	Kobayashi	D16/132
D779,349 S *	2/2017	Kobayashi	D10/70
D779,981 S *	2/2017	Kobayashi	D10/70
D845,795 S *	4/2019	Kim	D10/70
D850,947 S *	6/2019	Vermillion	D10/70
D852,311 S *	6/2019	Honda	D22/109
D863,996 S *	10/2019	Shao	D10/70
D865,544 S *	11/2019	Yu	D10/70
D865,545 S *	11/2019	Yu	D10/70
D870,172 S *	12/2019	Ueno	D16/132
D870,173 S *	12/2019	Ueno	D16/132
D870,174 S *	12/2019	Ueno	D16/132
D895,457 S *	9/2020	Zhang	D10/70
D919,460 S *	5/2021	Gallery	D10/70
D944,668 S *	3/2022	Li	D10/70

* cited by examiner

Primary Examiner — George D. Kirschbaum

Assistant Examiner — Lillian Windham

(74) *Attorney, Agent, or Firm* — Venable LLP; Keith G. Haddaway

(57) **CLAIM**

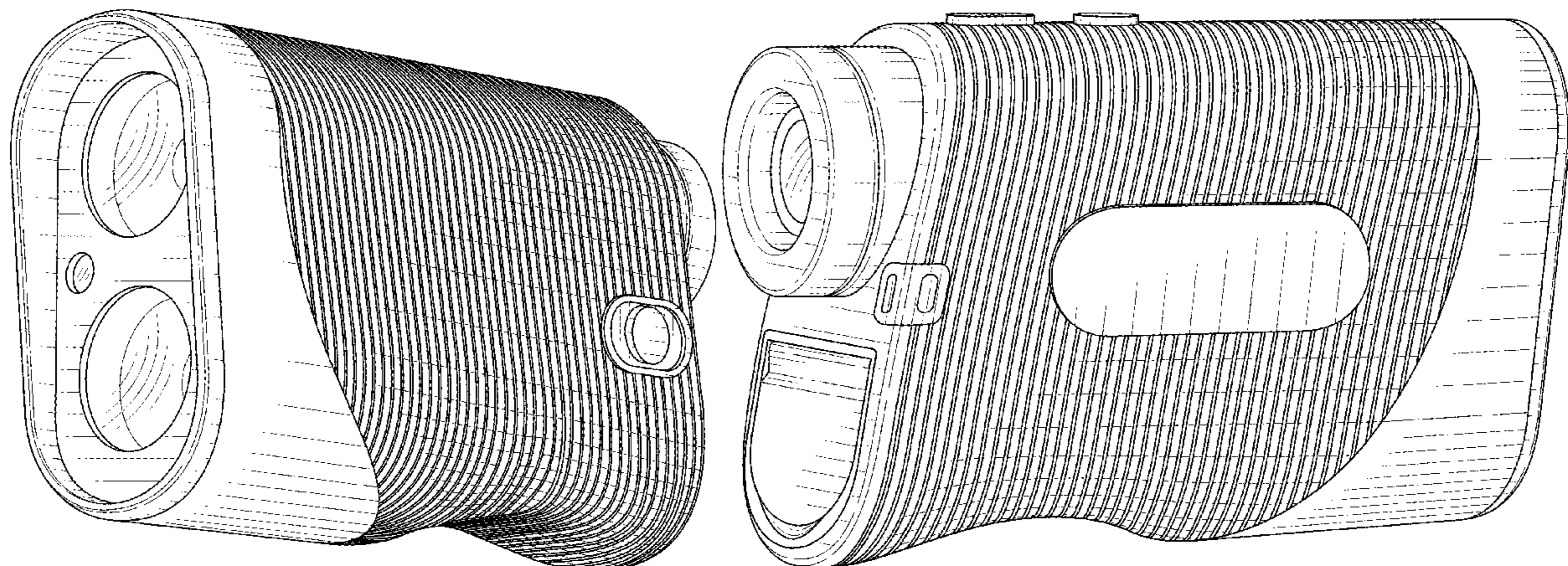
The ornamental design for a golf rangefinder, as shown and described.

DESCRIPTION

FIG. 1 is a front perspective view of a golf rangefinder, according to the present invention; FIG. 2 is a front view thereof; FIG. 3 is a back view thereof; FIG. 4 is a right side view thereof; FIG. 5 is a left side view thereof; FIG. 6 is a top view thereof; FIG. 7 is a bottom view thereof; and, FIG. 8 is a rear perspective view thereof.

The broken line showing of the golf rangefinder is for the purpose of illustrating portions of the golf rangefinder which form no part of the claimed design.

1 Claim, 5 Drawing Sheets



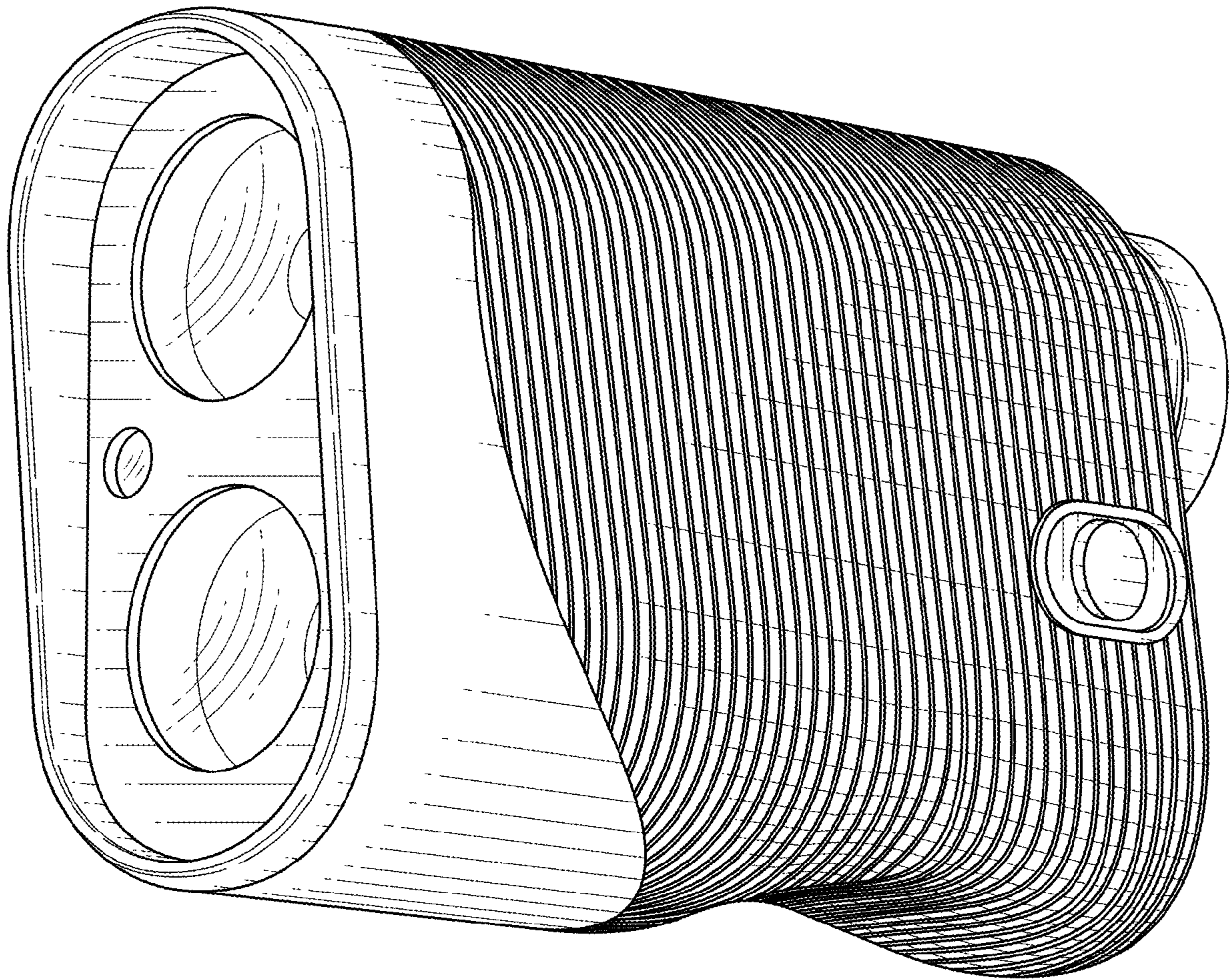


FIG. 1

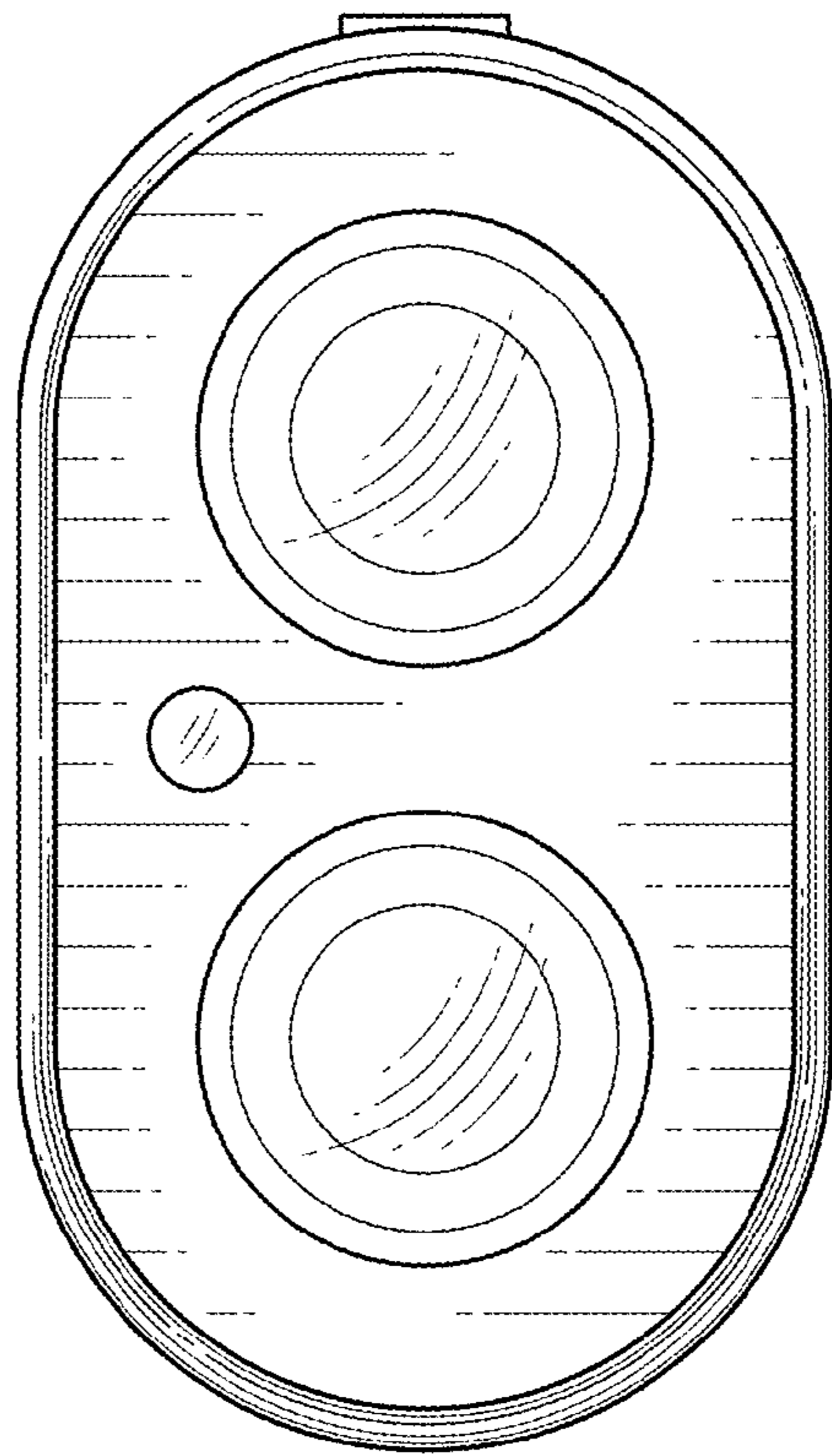


FIG. 2

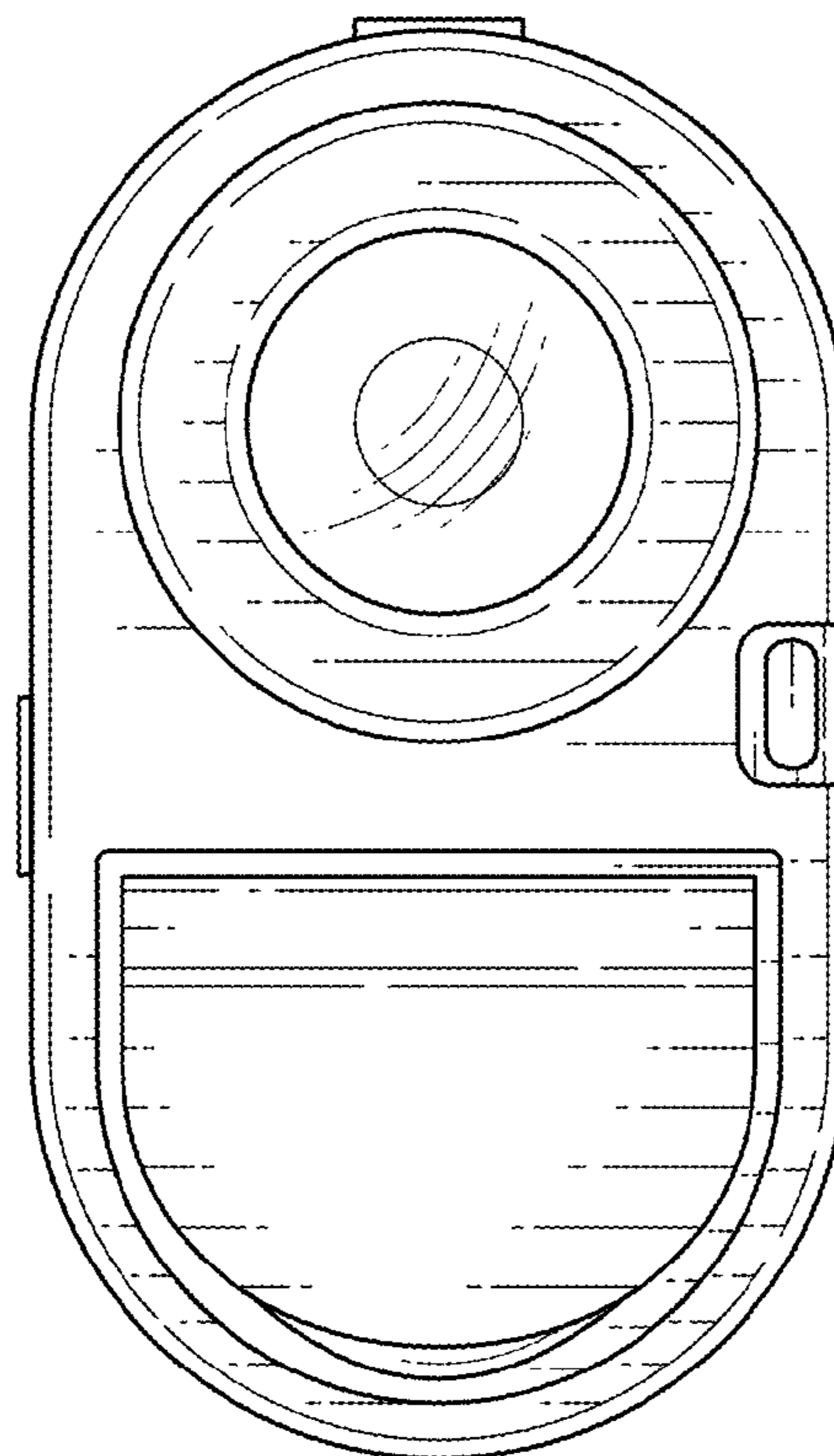


FIG. 3

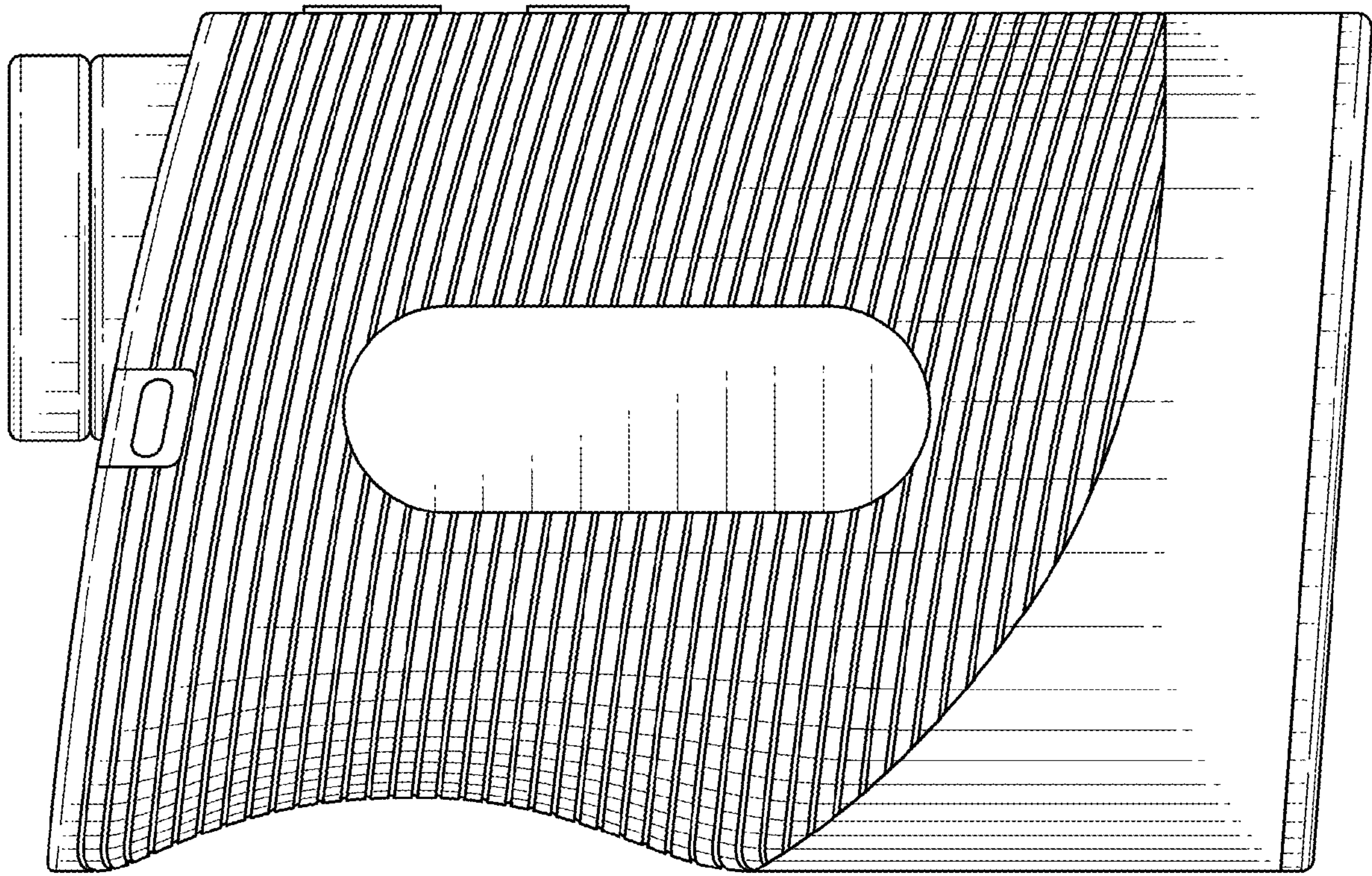


FIG. 4

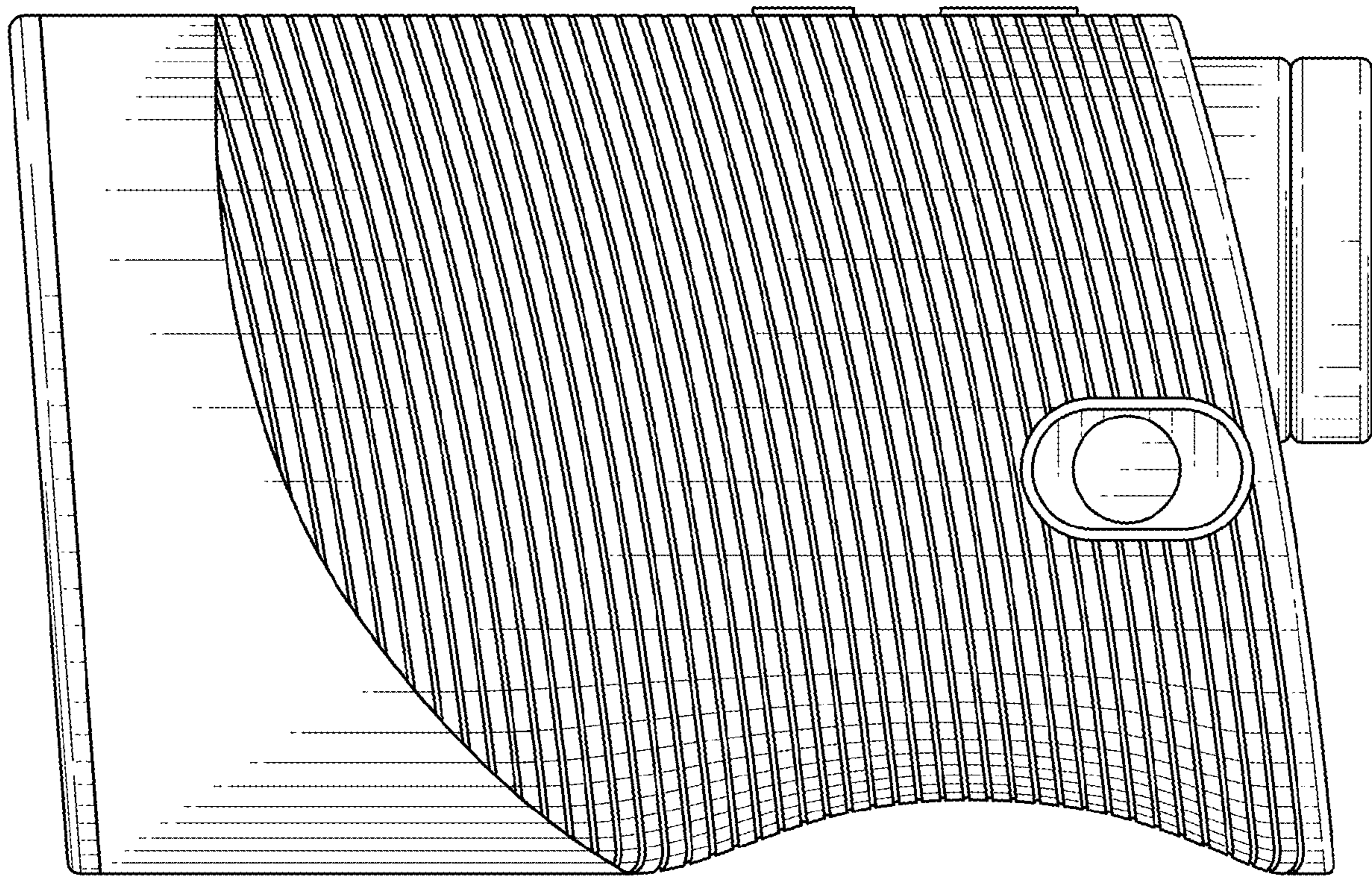


FIG. 5

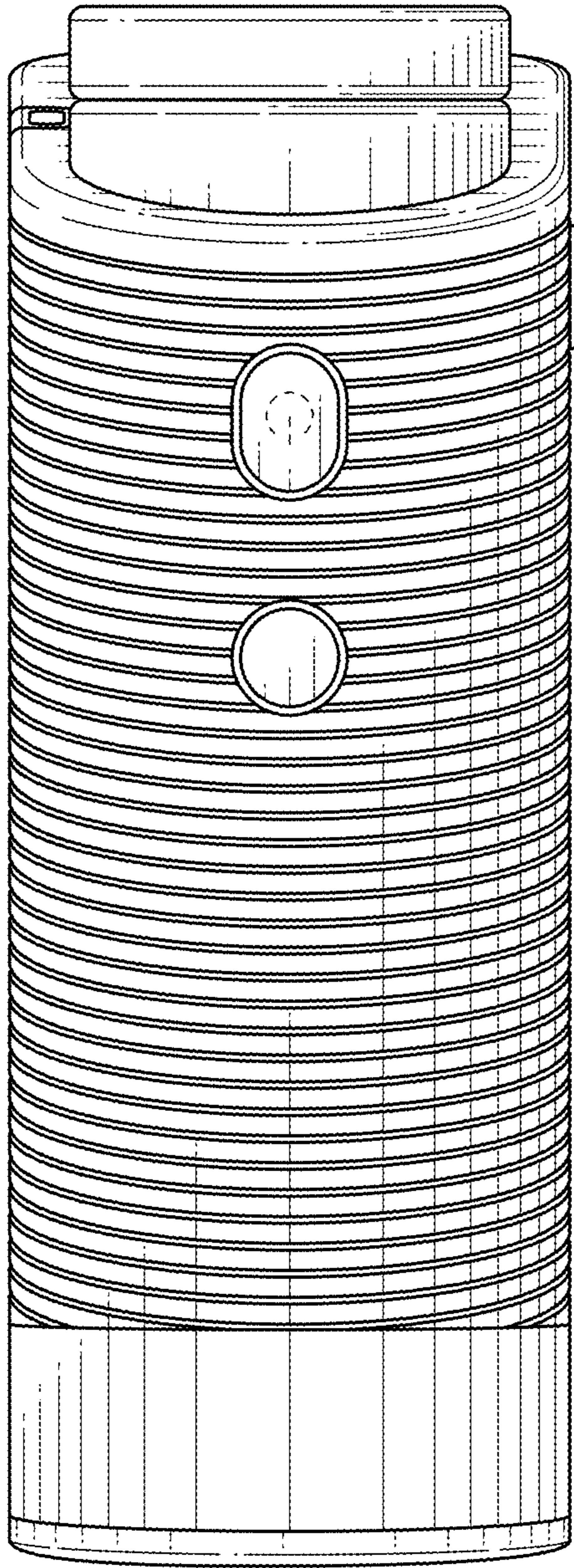


FIG. 6

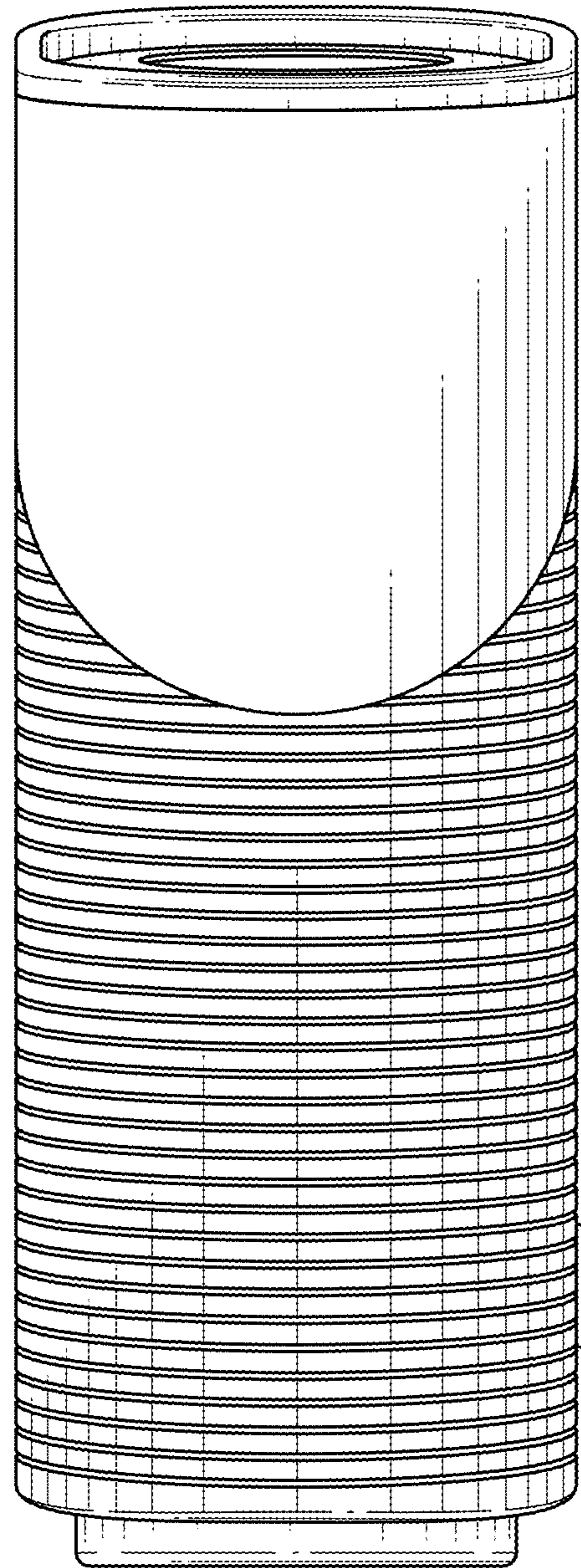


FIG. 7

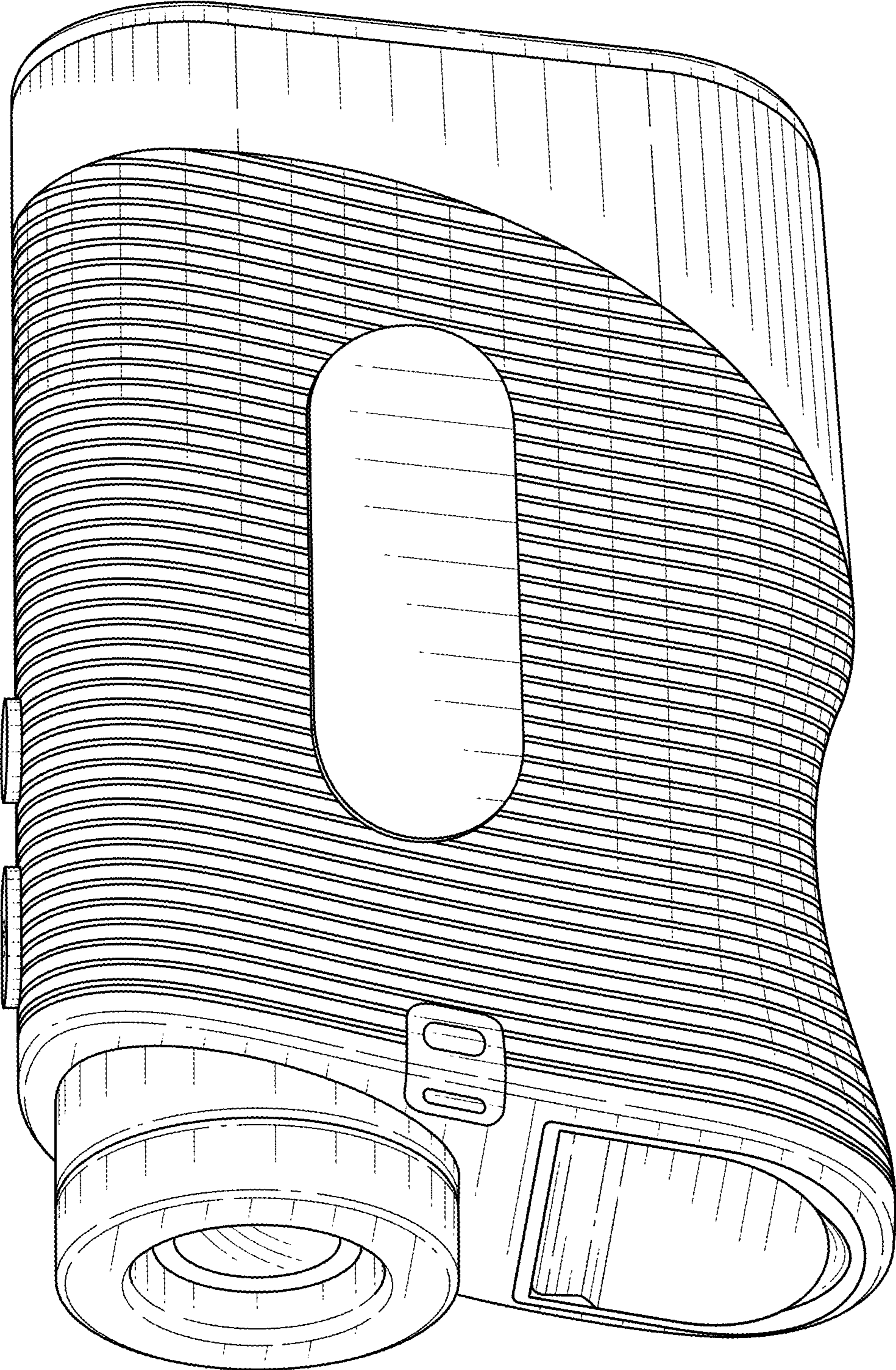


FIG. 8