

US00D962093S

(12) **United States Design Patent**  
**Francisco**

(10) **Patent No.:** **US D962,093 S**

(45) **Date of Patent:** **\*\* Aug. 30, 2022**

(54) **GOLF RANGEFINDER**

(71) Applicant: **Blue Tees Enterprises, LLC**, San Francisco, CA (US)

(72) Inventor: **Brandon Francisco**, San Francisco, CA (US)

(73) Assignee: **BLUE TEES ENTERPRISES, LLC**, San Francisco, CA (US)

(\*\*) Term: **15 Years**

(21) Appl. No.: **29/767,221**

(22) Filed: **Jan. 21, 2021**

(51) **LOC (13) Cl.** ..... **10-04**

(52) **U.S. Cl.**  
USPC ..... **D10/70; D16/132**

(58) **Field of Classification Search**  
USPC ..... D10/66, 70, 74; D16/132, 136, 220; D22/109, 199

CPC . A63B 69/36; A63B 2220/12; A63B 2220/20; A63B 2220/805; A63B 57/00; A63B 2220/13; A63B 2102/32; G01S 19/19; F41G 3/06; G03B 13/20

See application file for complete search history.

(56) **References Cited**

**U.S. PATENT DOCUMENTS**

D448,315 S *	9/2001	Ito	.....	D10/70
D453,301 S *	2/2002	Vermillion	.....	D10/66
D525,544 S *	7/2006	Nojima	.....	D10/70
D547,780 S *	7/2007	Meinzer	.....	D16/132
D611,848 S *	3/2010	Liu	.....	D10/70
D647,159 S *	10/2011	Kobayashi	.....	D22/109
D683,374 S *	5/2013	Yokoi	.....	D16/132
D683,375 S *	5/2013	Yokoi	.....	D16/132
D683,376 S *	5/2013	Yokoi	.....	D16/132
D683,377 S *	5/2013	Yokoi	.....	D16/132

D683,378 S *	5/2013	Yokoi	.....	D16/132
D723,080 S *	2/2015	Kobayashi	.....	D16/132
D779,349 S *	2/2017	Kobayashi	.....	D10/70
D779,981 S *	2/2017	Kobayashi	.....	D10/70
D845,795 S *	4/2019	Kim	.....	D10/70
D850,947 S *	6/2019	Vermillion	.....	D10/70
D852,311 S *	6/2019	Honda	.....	D22/109
D863,996 S *	10/2019	Shao	.....	D10/70
D865,544 S *	11/2019	Yu	.....	D10/70
D865,545 S *	11/2019	Yu	.....	D10/70
D870,172 S *	12/2019	Ueno	.....	D16/132
D870,173 S *	12/2019	Ueno	.....	D16/132
D870,174 S *	12/2019	Ueno	.....	D16/132
D895,457 S *	9/2020	Zhang	.....	D10/70
D919,460 S *	5/2021	Gallery	.....	D10/70
D944,668 S *	3/2022	Li	.....	D10/70

\* cited by examiner

*Primary Examiner* — George D. Kirschbaum

*Assistant Examiner* — Lillian Windham

(74) *Attorney, Agent, or Firm* — Venable LLP; Keith G. Haddaway

(57) **CLAIM**

The ornamental design for a golf rangefinder, as shown and described.

**DESCRIPTION**

FIG. 1 is a front perspective view of a golf rangefinder, according to the present invention;

FIG. 2 is a front view thereof;

FIG. 3 is a back view thereof;

FIG. 4 is a right side view thereof;

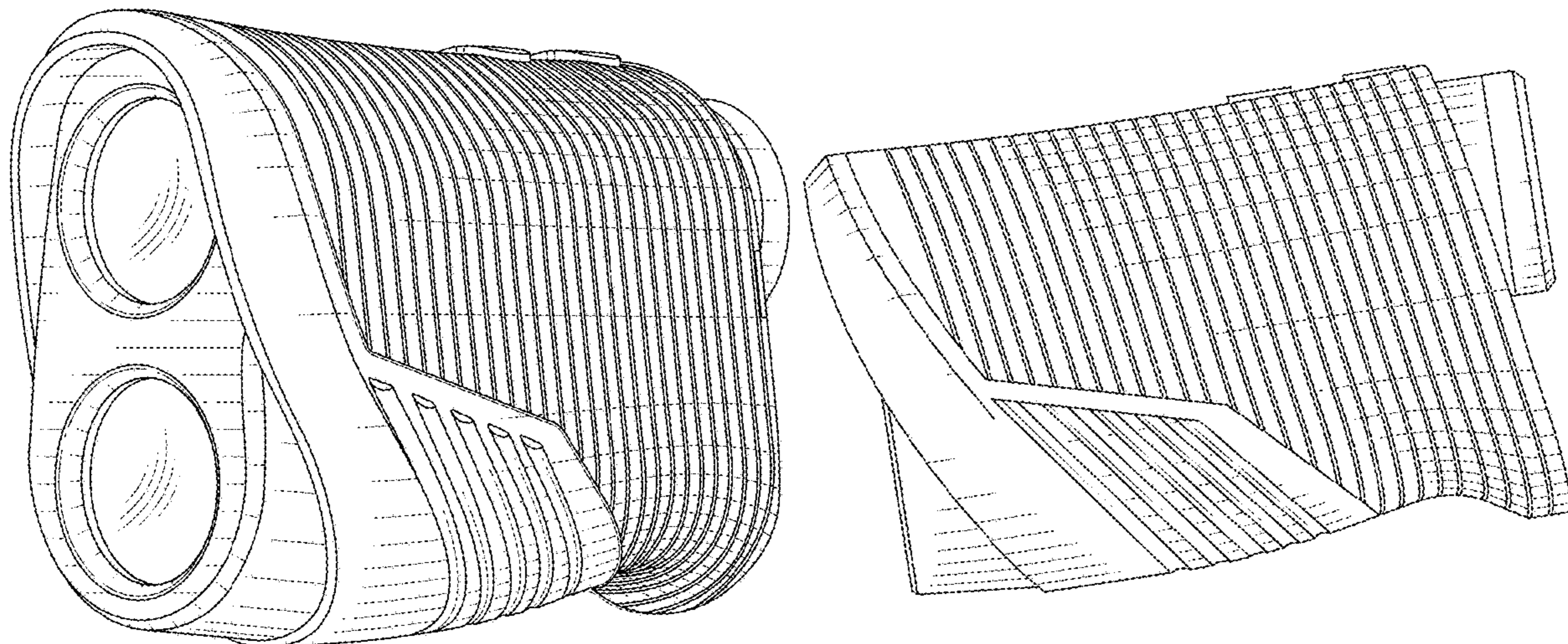
FIG. 5 is a left side view thereof;

FIG. 6 is a top view thereof; and,

FIG. 7 is a bottom view thereof.

The broken line showing of the golf rangefinder is for the purpose of illustrating portions of the golf rangefinder which form no part of the claimed design.

**1 Claim, 4 Drawing Sheets**



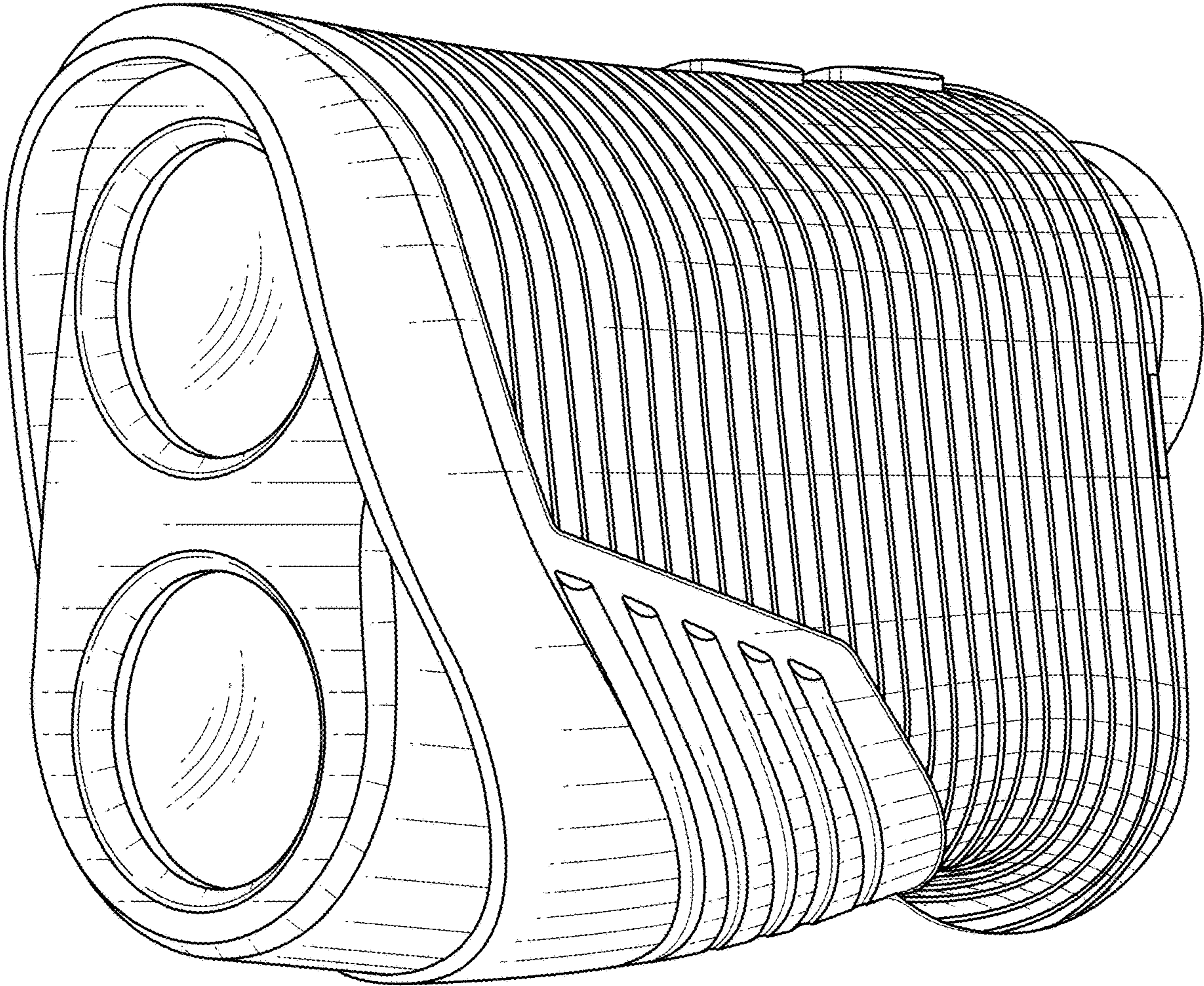


FIG. 1

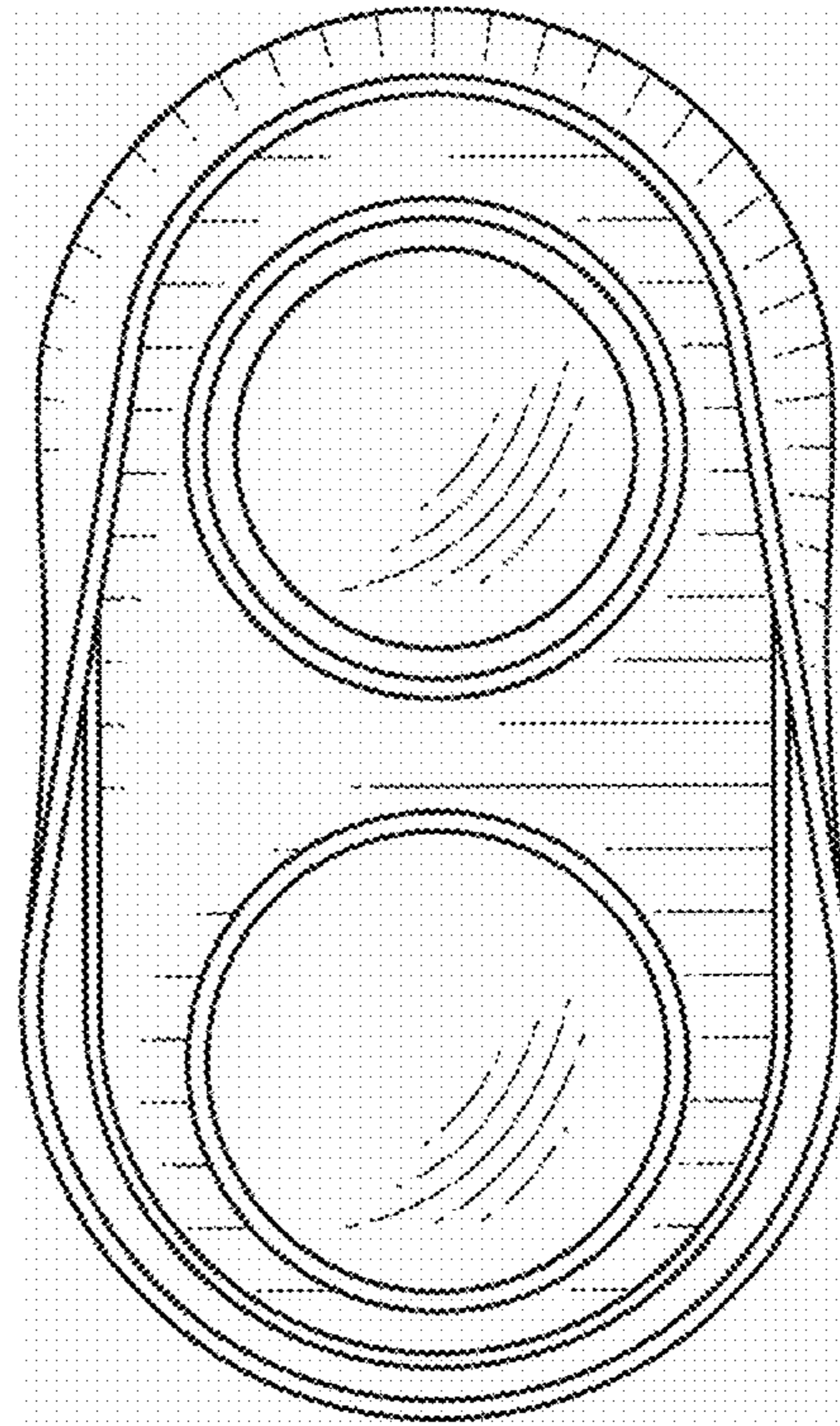


FIG. 2

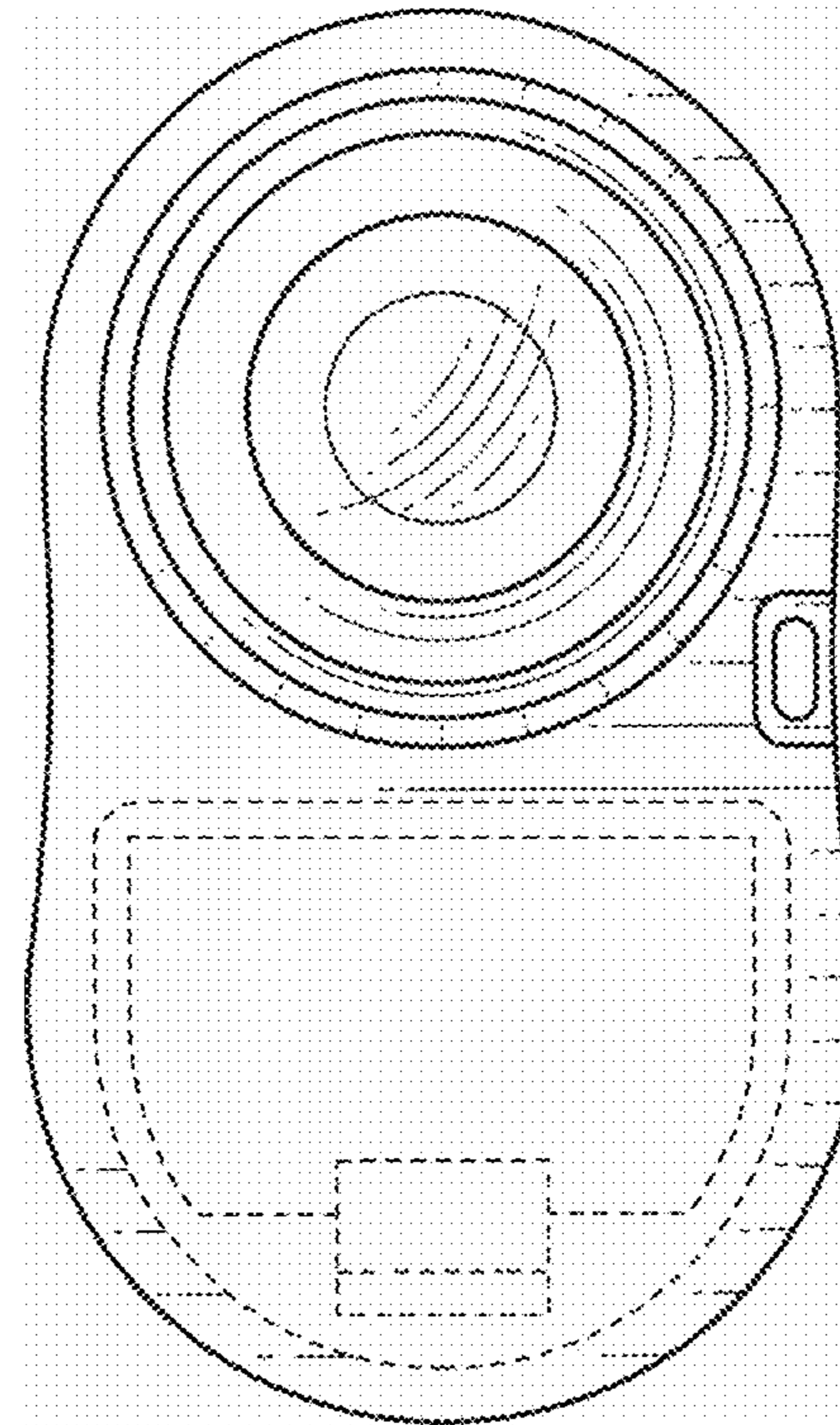


FIG. 3

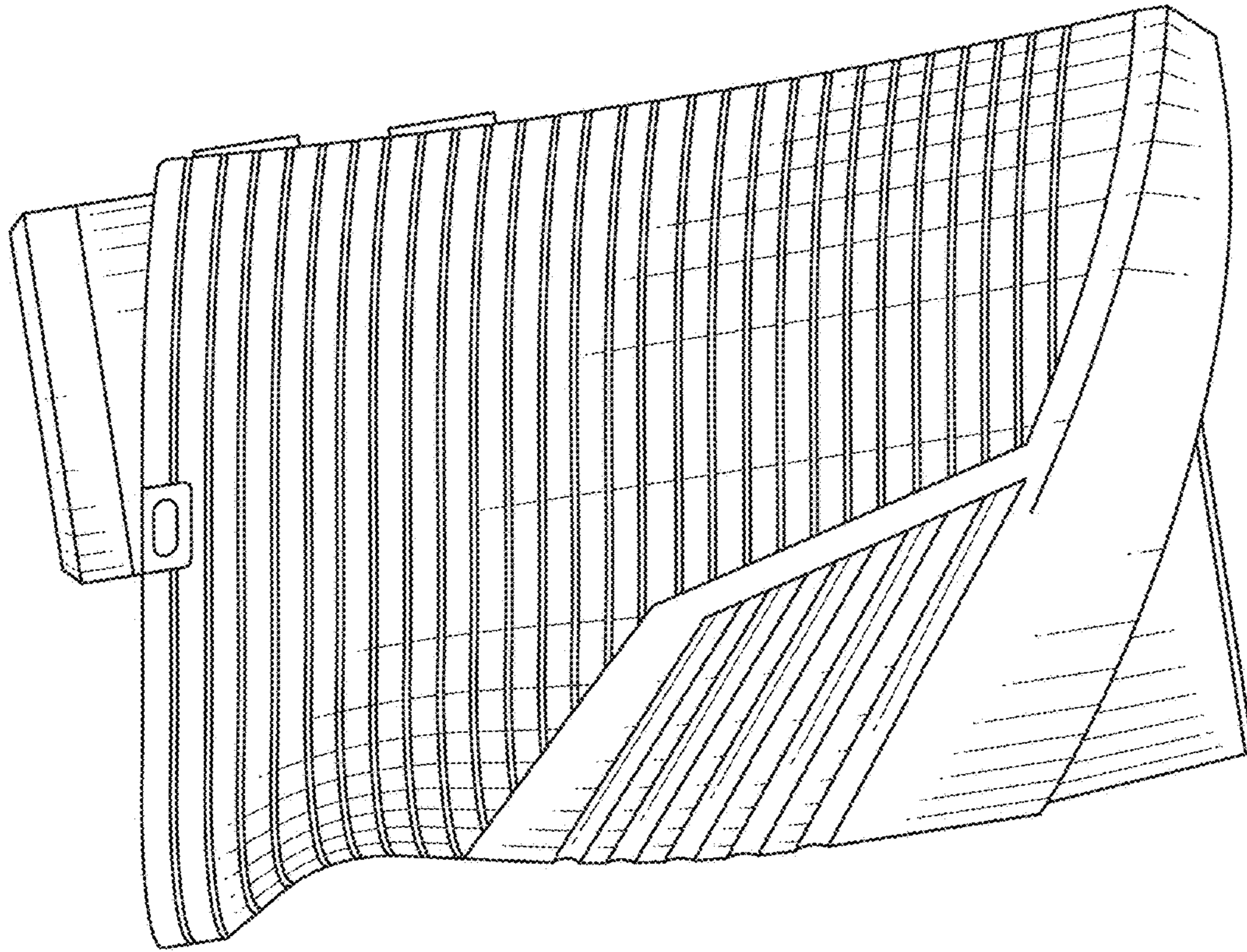


FIG. 4

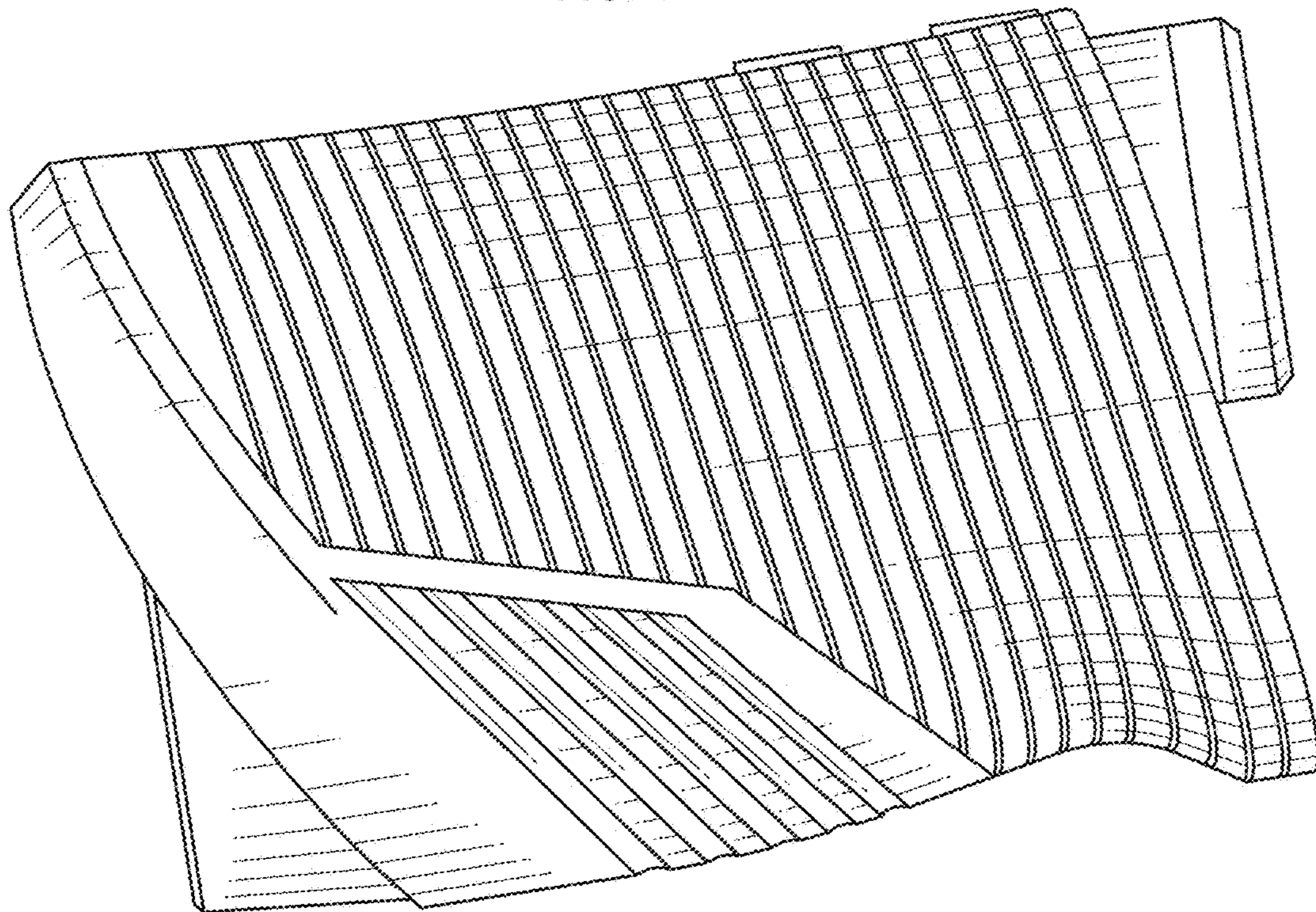


FIG. 5

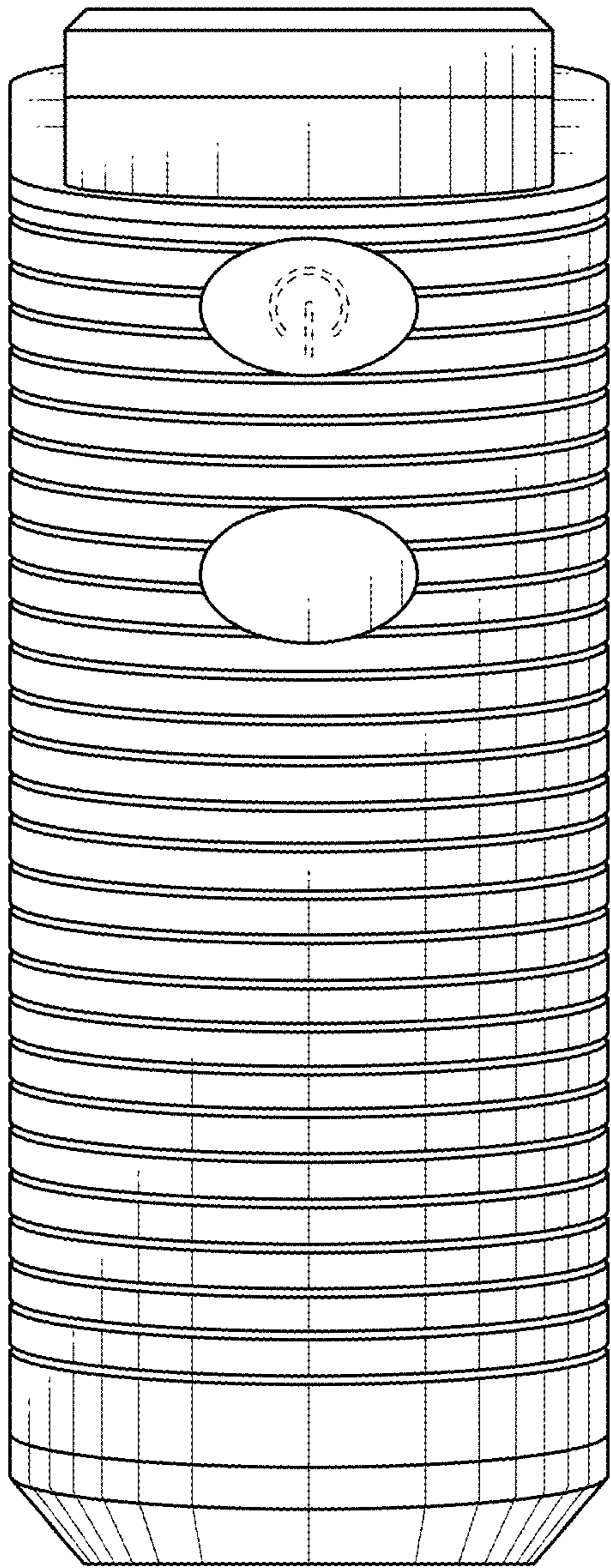


FIG. 6

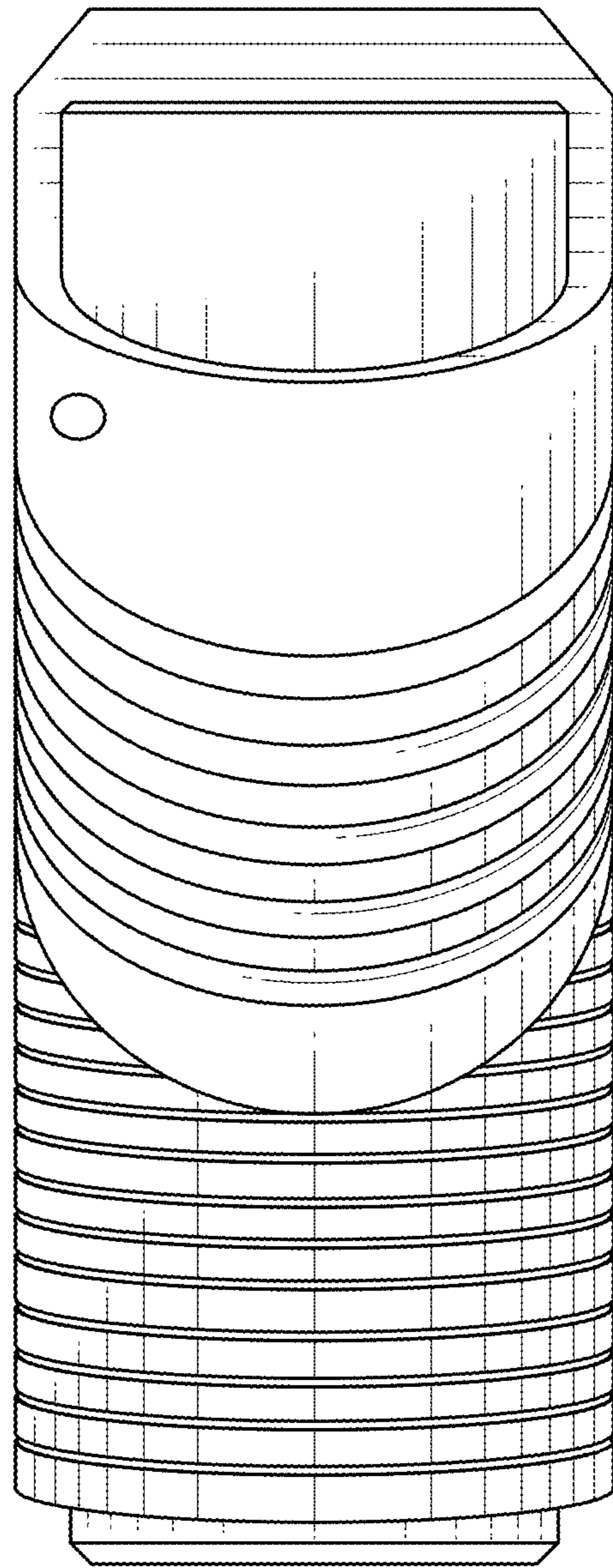


FIG. 7