



US00D962091S

(12) **United States Design Patent** (10) **Patent No.:** **US D962,091 S**  
**Barczak et al.** (45) **Date of Patent:** **\*\* Aug. 30, 2022**

(54) **ELECTRONIC DEVICE**

FOREIGN PATENT DOCUMENTS

(71) Applicant: **Garmin Switzerland GmbH**,  
Schaffhausen (CH)

CN 301895122 \* 9/2011  
CN 304897910 \* 6/2018

(Continued)

(72) Inventors: **Michael J. Barczak**, Olathe, KS (US);  
**Robert S. Lillquist**, New York, NY  
(US); **Joshua B. Tulkoff**, Kansas City,  
MO (US); **Michael R. Snyder**, Tucson,  
AZ (US); **Darren Mitchell**  
**Nakonechny**, Tucson, AZ (US)

OTHER PUBLICATIONS

Garmin Store, Alpha 200i Dog Tracking Handheld, Date first avail-  
able Oct. 6, 2020, [online]retrieved Apr. 15, 2022, available from  
[https://www.amazon.com/Garmin-Technology-Sunlight-readable-Touchscreen-010-02230-10/dp/B08K3RY4Q4?ref\\_=ast\\_sto\\_dp&th=1](https://www.amazon.com/Garmin-Technology-Sunlight-readable-Touchscreen-010-02230-10/dp/B08K3RY4Q4?ref_=ast_sto_dp&th=1) (Year: 2020).\*

(Continued)

(73) Assignee: **Garmin Switzerland GmbH**

(\*\*) Term: **15 Years**

*Primary Examiner* — Keli L Hill

*Assistant Examiner* — Sara S Sahneh

(21) Appl. No.: **29/724,977**

(74) *Attorney, Agent, or Firm* — Samuel M. Korte; Max  
M. Ali

(22) Filed: **Feb. 20, 2020**

(51) **LOC (13) Cl.** ..... **10-04**

(52) **U.S. Cl.**  
USPC ..... **D10/65; D10/104.1**

(58) **Field of Classification Search**  
USPC .... D10/96-103, 65-80, 61, 104.1; D30/199;  
D14/137  
CPC .. A01K 11/008; A01K 15/021; A01K 27/002;  
A01K 27/009; G08B 21/0211; G08B  
21/023; G08B 21/0258  
See application file for complete search history.

(57) **CLAIM**

The ornamental design for a electronic device, as shown and  
described.

**DESCRIPTION**

FIG. 1 is a front perspective view of an electronic device  
according to the present invention;  
FIG. 2 is a rear perspective view of the electronic device;  
FIG. 3 is a front view of the electronic device;  
FIG. 4 is a rear view of the electronic device;  
FIG. 5 is a left side view of the electronic device;  
FIG. 6 is a right side view of the electronic device;  
FIG. 7 is a top view of the electronic device; and,  
FIG. 8 is a bottom view of the electronic device.  
The broken lines shown in the drawings represent portions  
of the electronic device that form no part of the claimed  
design.

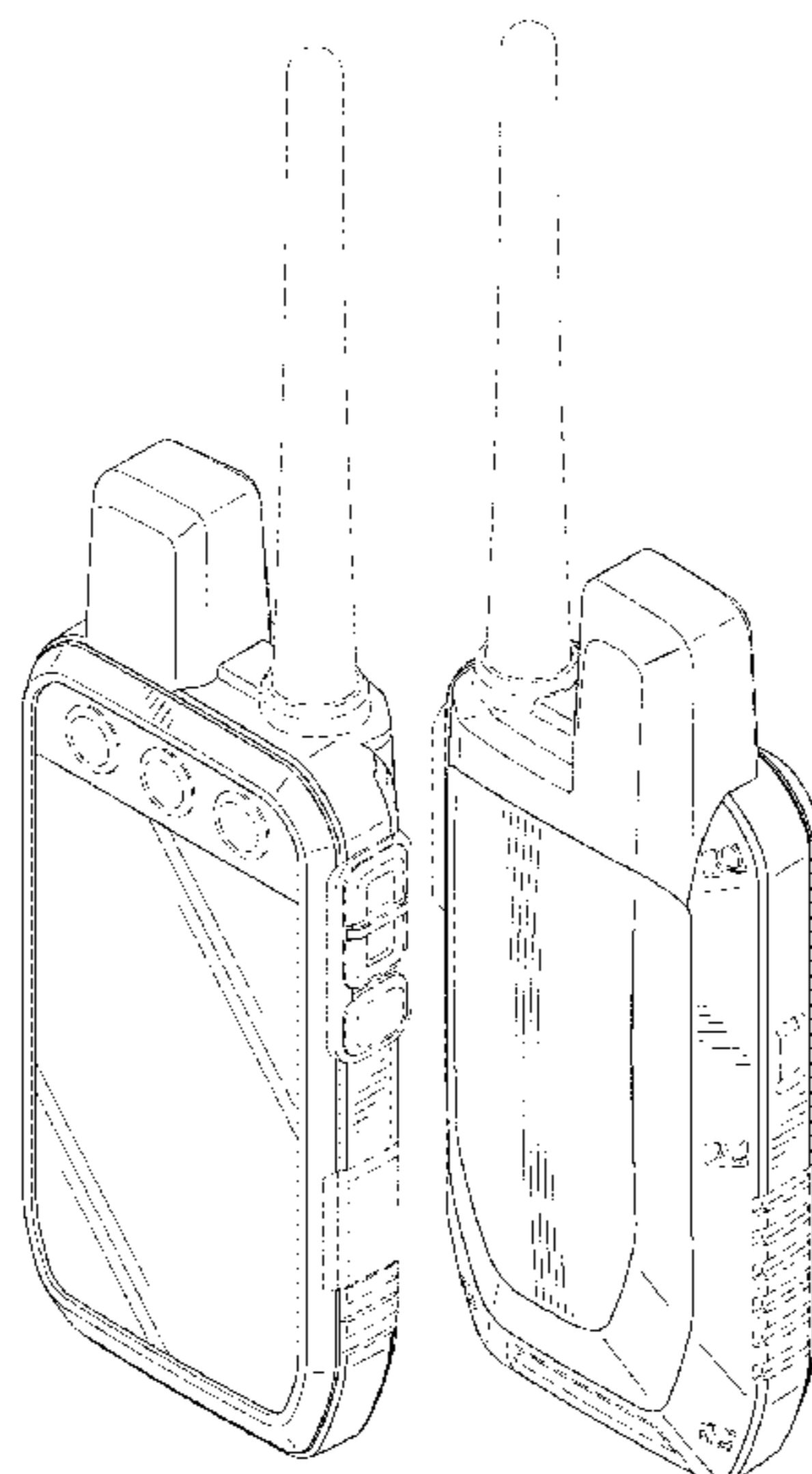
(56) **References Cited**

U.S. PATENT DOCUMENTS

D473,537 S \* 4/2003 Lammers-Meis ..... D14/188  
D494,481 S \* 8/2004 Laverick ..... D10/65  
D644,133 S \* 8/2011 Register ..... D10/65  
D769,138 S \* 10/2016 Register ..... D14/218  
D813,473 S \* 3/2018 Ni ..... D10/104.1  
D884,995 S \* 5/2020 Ni ..... D10/104.1  
D904,702 S \* 12/2020 Jia ..... D10/104.1  
D924,827 S \* 7/2021 Tschopp ..... D14/137  
D925,142 S \* 7/2021 Jia ..... D10/104.1  
D946,218 S \* 3/2022 Xiao ..... D10/104.1

(Continued)

**1 Claim, 4 Drawing Sheets**



(56)

**References Cited**

## U.S. PATENT DOCUMENTS

2008/0036610 A1\* 2/2008 Hokuf ..... G08B 21/028  
340/573.3  
2012/0272924 A1\* 11/2012 So ..... A01K 15/021  
119/720  
2019/0049592 A1\* 2/2019 Koontz ..... H01Q 1/24

## FOREIGN PATENT DOCUMENTS

CN 305705223 \* 10/2019  
CN 305585875 \* 2/2020  
RU 00081180 \* 1/2011

## OTHER PUBLICATIONS

Garmin Store, Montana 750i, Rugged GPS Handheld, Date first available Aug. 5, 2020, [online]retrieved Apr. 15, 2022, available from [https://www.amazon.com/Garmin-Technology-8-megapixel-Glove-Friendly-010-02347-00/dp/B08CS1JXH6/ref=pd\\_vtp\\_sccl\\_2/142-8601271-8577630?pd\\_rd\\_w=Dkm1t&pf\\_rd\\_p=fbd780d7-2160-4d39-\(Year: 2020\).](https://www.amazon.com/Garmin-Technology-8-megapixel-Glove-Friendly-010-02347-00/dp/B08CS1JXH6/ref=pd_vtp_sccl_2/142-8601271-8577630?pd_rd_w=Dkm1t&pf_rd_p=fbd780d7-2160-4d39-(Year: 2020).)\*

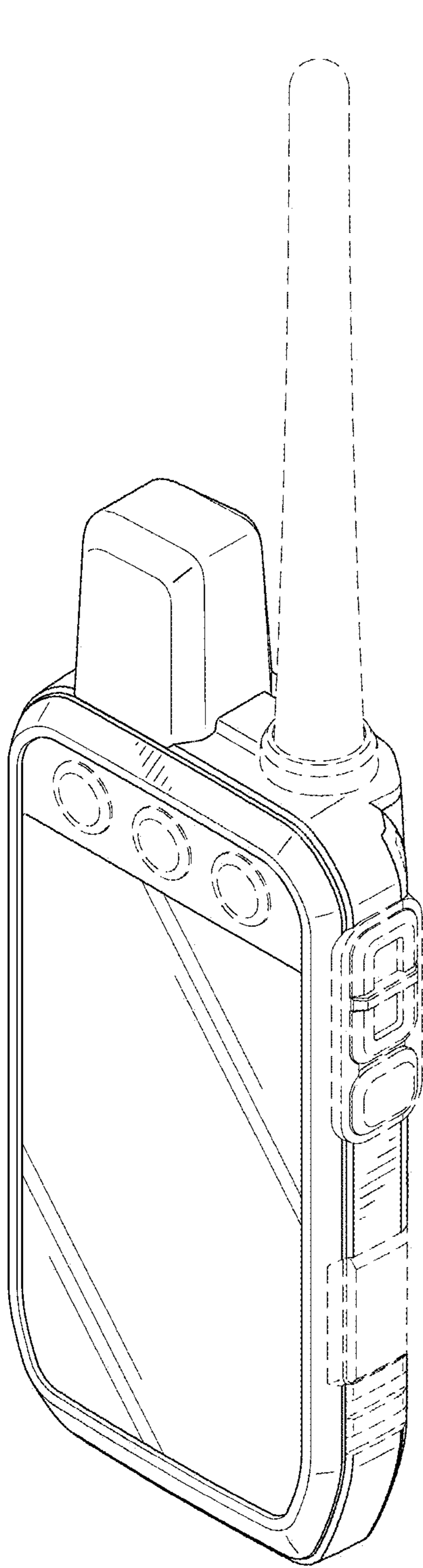
Printout from <https://buy.garmin.com/en-US/US/p/107225>, published prior to Feb. 26, 2020.

Printout from <https://buy.garmin.com/en-US/US/p/576031/pn/010-01958-20>, published prior to Feb. 26, 2020.

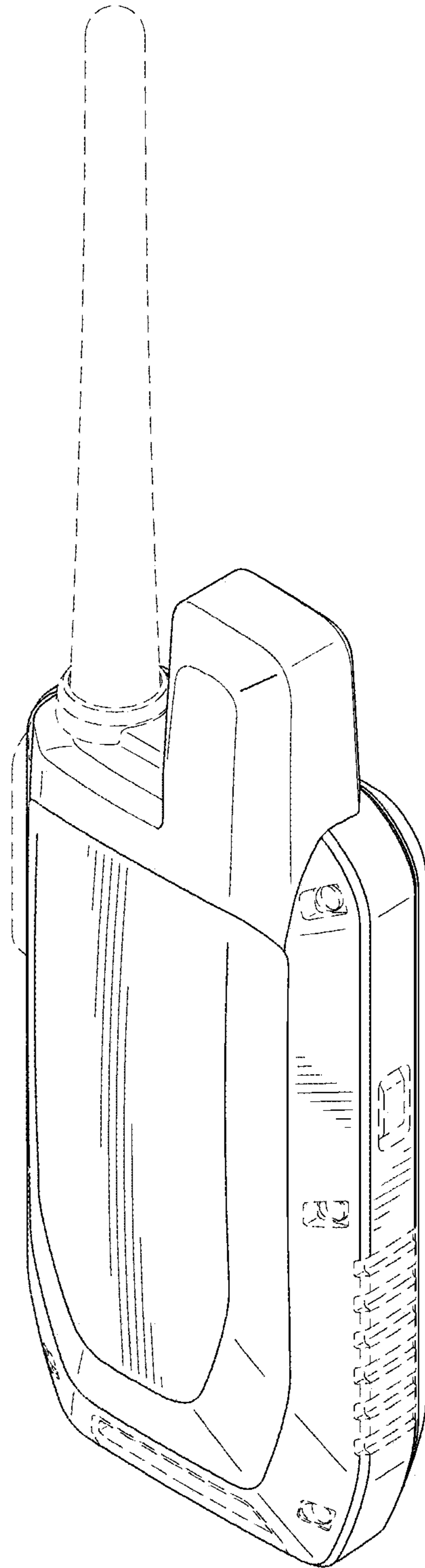
Printout from <https://buy.garmin.com/en-US/US/p/623975/pn/010-02088-01>, published prior to Feb. 26, 2020.

Printout from <https://www.sportdog.com/dog-tracking/tek/tek-2>, published prior to Feb. 26, 2020.

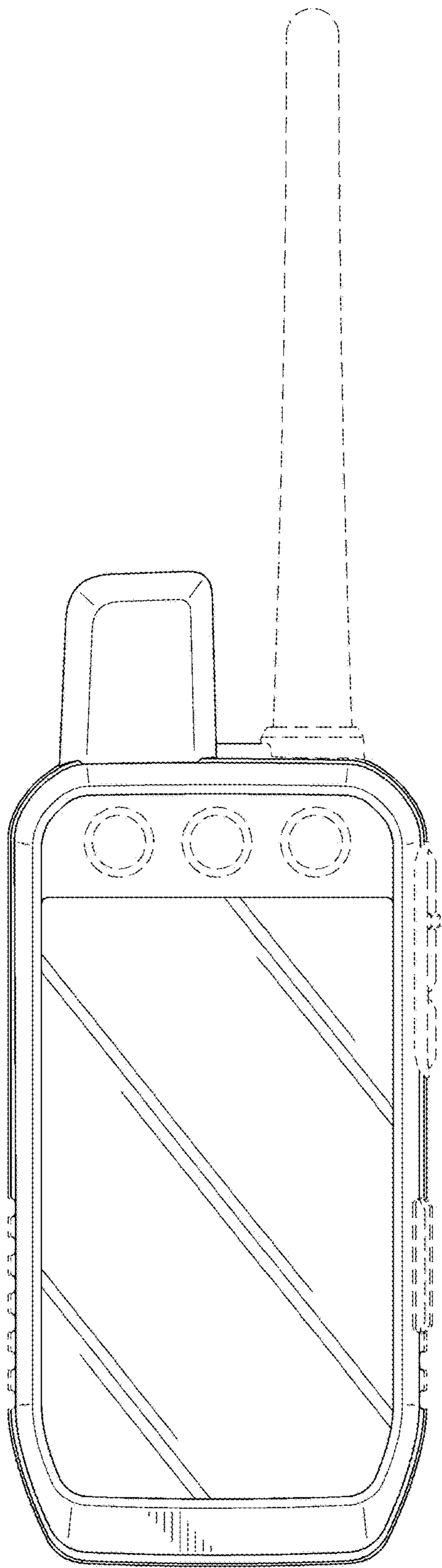
\* cited by examiner



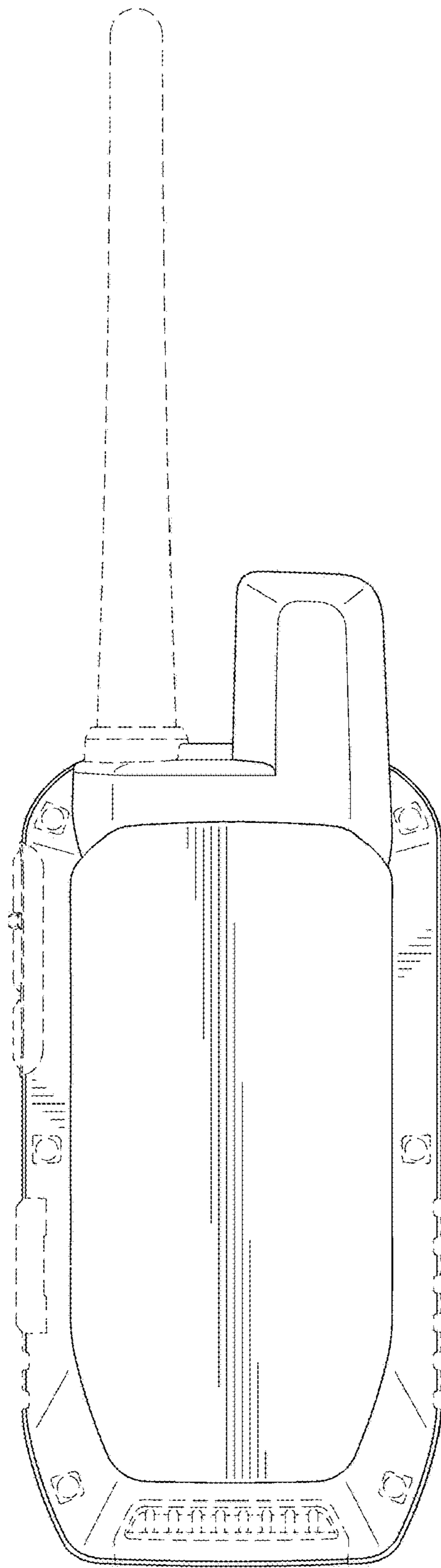
*Fig. 1*



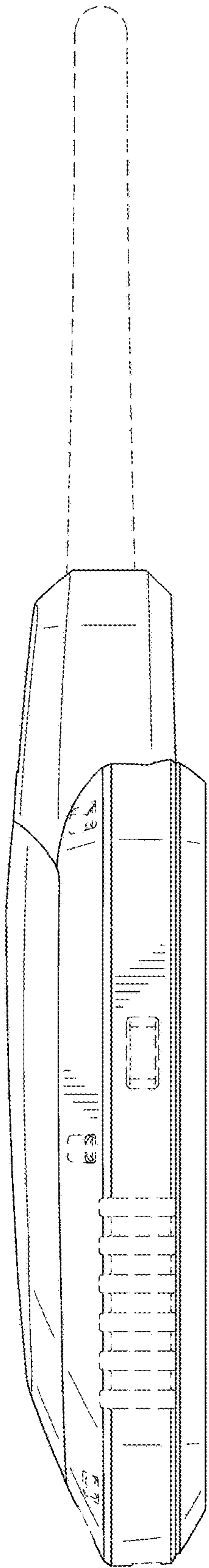
*Fig. 2*



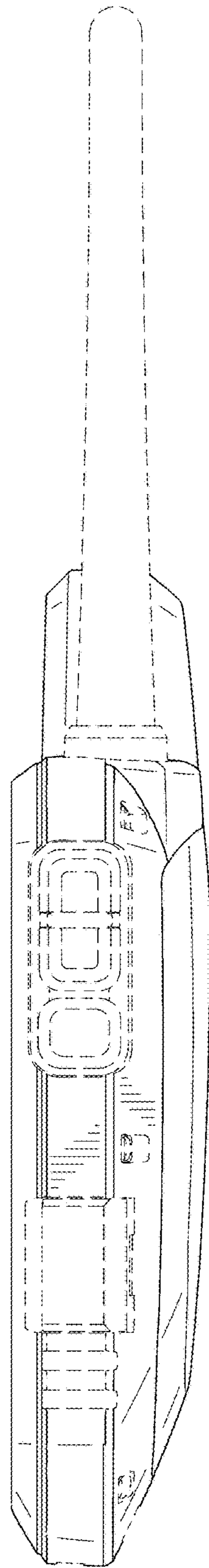
*Fig. 3*



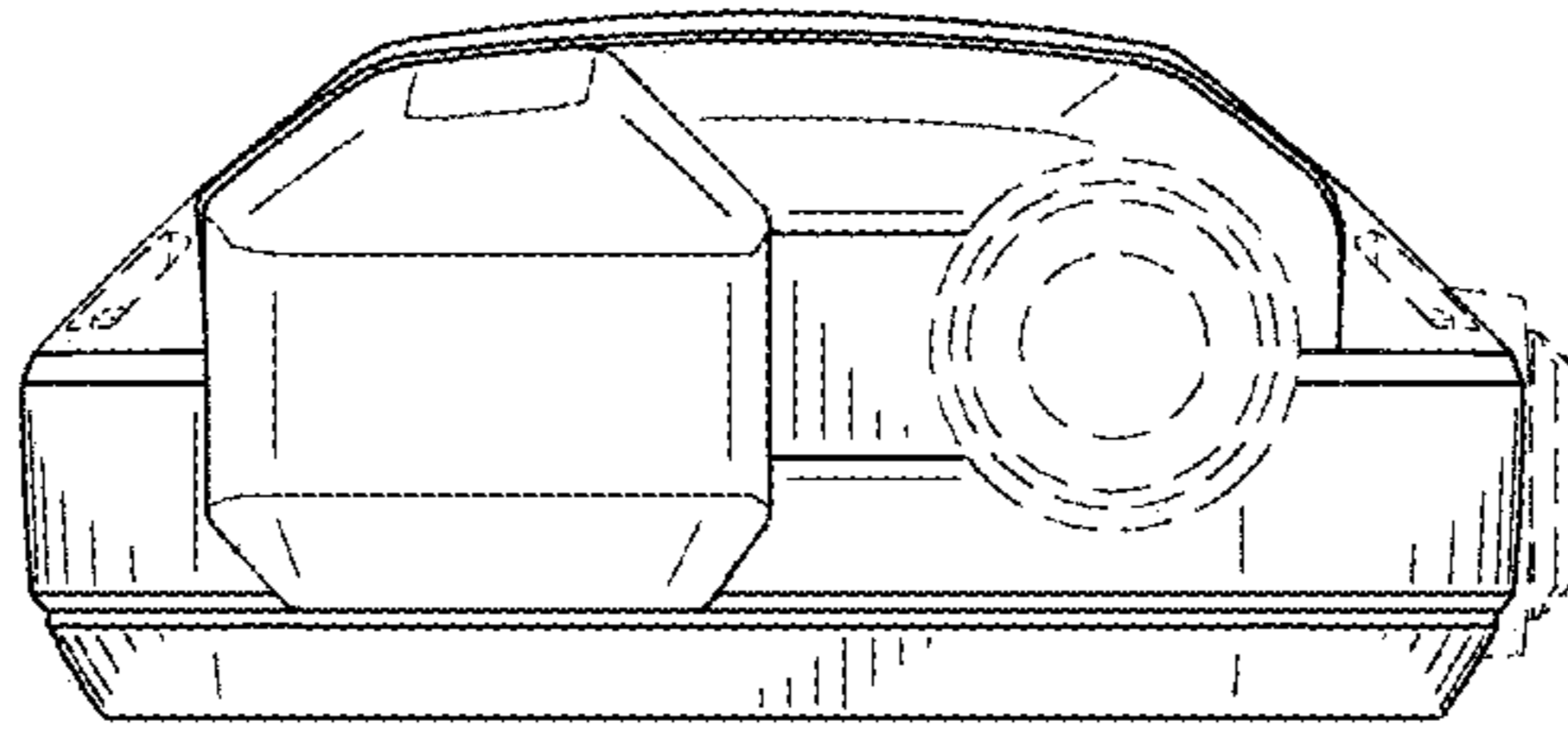
*Fig. 4*



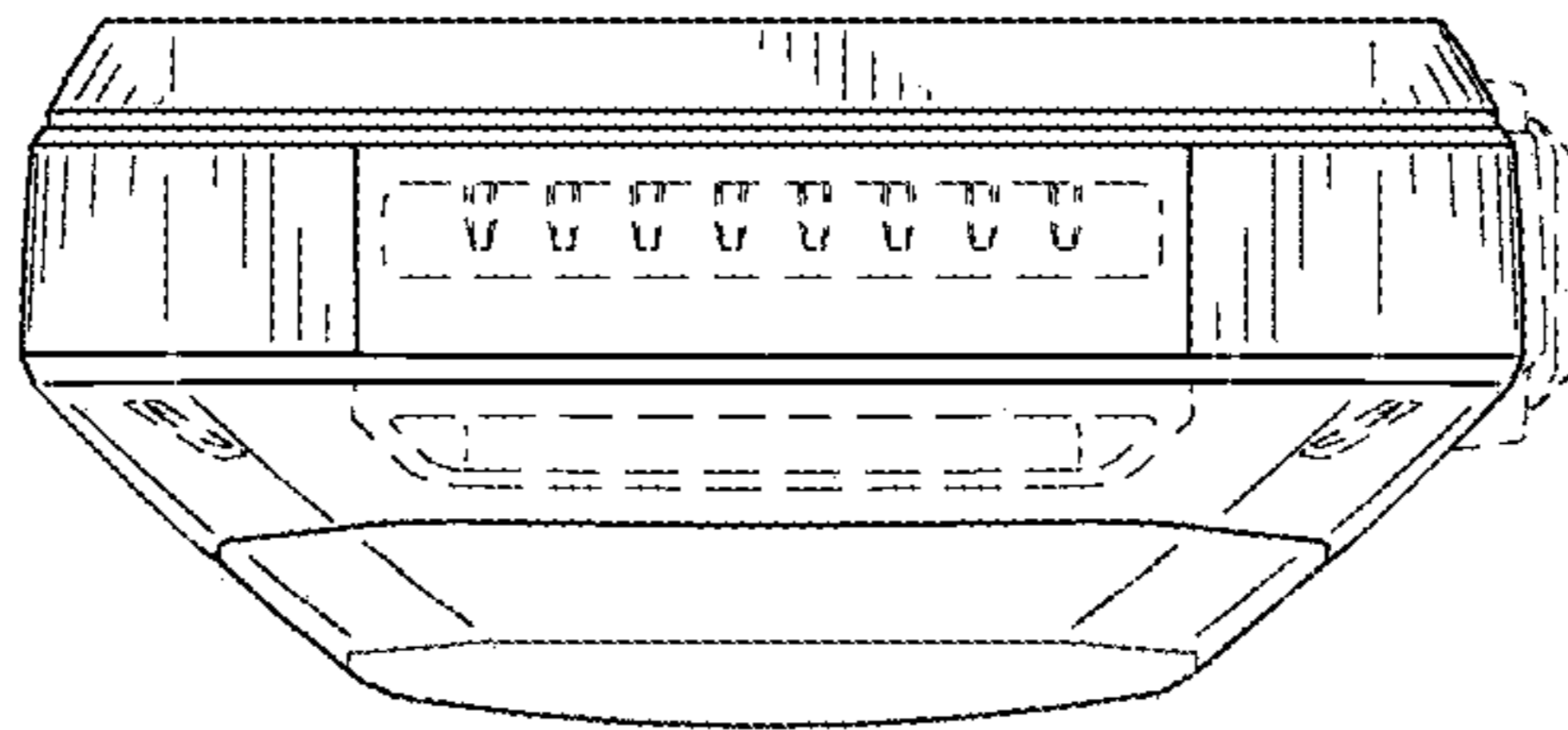
*Fig. 5*



*Fig. 6*



*Fig. 7*



*Fig. 8*