

US00D962087S

(12) **United States Design Patent** (10) **Patent No.:** **US D962,087 S**
Li (45) **Date of Patent:** **** Aug. 30, 2022**

(54) **THERMOSTAT**

H05K 5/0243; H05K 5/00; H05K 5/03;
H04M 2250/12; H04M 2250/22

(71) Applicant: **Lizhi Li**, Hongkong (CN)

See application file for complete search history.

(72) Inventor: **Lizhi Li**, Hongkong (CN)

(56) **References Cited**

(73) Assignee: **Ocean Controls Limited**, Hongkong (CN)

U.S. PATENT DOCUMENTS

(**) Term: **15 Years**

(21) Appl. No.: **29/759,726**

D719,854 S *	12/2014	Edgar	D10/50
D719,855 S *	12/2014	Edgar	D10/50
D731,330 S *	6/2015	Edgar	D10/50
D731,331 S *	6/2015	Edgar	D10/50
D731,332 S *	6/2015	Edgar	D10/50
D732,408 S *	6/2015	Edgar	D10/50
D738,751 S *	9/2015	Edgar	D10/50
D738,752 S *	9/2015	Edgar	D10/50
D738,753 S *	9/2015	Edgar	D10/50
D820,793 S *	6/2018	Arai	G05D 23/1902 D10/50
2011/0132990 A1 *	6/2011	Lin	G05D 23/1902 236/94

(22) Filed: **Nov. 24, 2020**

(51) **LOC (13) Cl.** **10-04**

(52) **U.S. Cl.**
USPC **D10/49; D13/162**

(58) **Field of Classification Search**
USPC D10/49, 50; D13/162, 162.1, 168, 177,
D13/184

* cited by examiner

Primary Examiner — Antoine Duval Davis

CPC . F23N 5/20; F23N 5/203; F23N 5/206; F23N 5/18; F23N 5/184; F23N 5/187; F23N 5/22; F23N 2025/12; F23N 2041/02; F24F 11/00; F24F 11/0012; F24F 11/0009; F24F 11/001; F24F 2011/0057; F24F 2011/0073; F24F 2011/0091; F24F 2011/0094; F24F 2011/0068; F24F 2011/0012; F24F 2011/0015; F24F 2011/0017; F21V 11/16; F21V 33/10; G05B 19/042; G05D 23/01; G05D 23/12; G05D 23/275; G05D 23/1902; G05D 23/1904; G05D 23/27502; G05D 23/27503; G05D 23/1919; G05D 23/19; G05D 23/2723; G05D 23/00; G09F 13/22; G09F 9/53; G06F 1/1684; G06F 1/30; G06F 3/0362; G06F 3/038; H05B 33/0854; H05B 37/0218; H05K 5/0017;

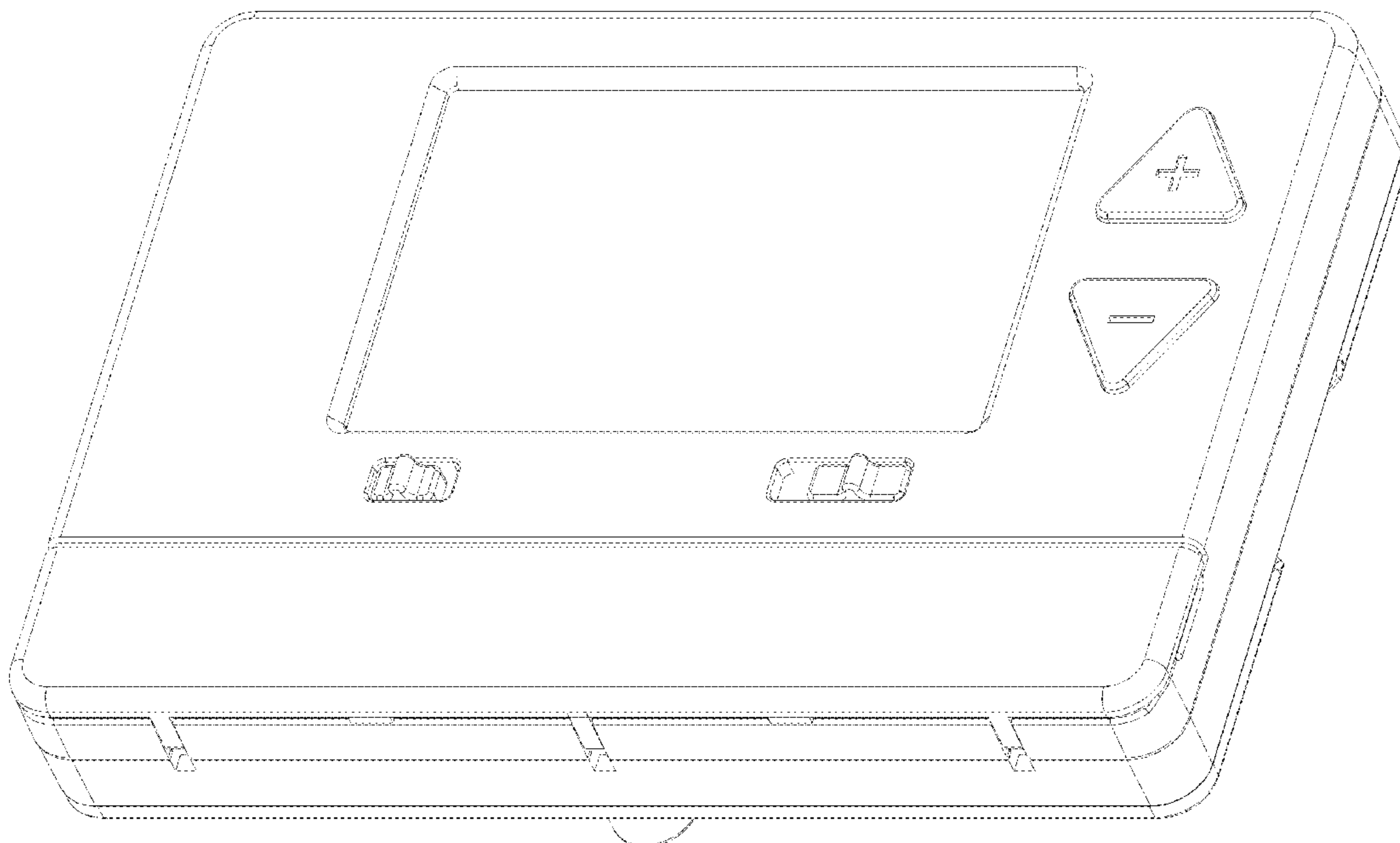
(57) **CLAIM**

The ornamental design for a thermostat, as shown and described.

DESCRIPTION

FIG. 1 is a bottom, front, right side perspective view of a thermostat showing my new design;
FIG. 2 is a top, rear, left side perspective view thereof;
FIG. 3 is a front elevation view thereof;
FIG. 4 is a rear elevation view thereof;
FIG. 5 is an enlarged left side elevation view thereof;
FIG. 6 is an enlarged right side elevation view thereof;
FIG. 7 is a top plan view thereof; and,
FIG. 8 is a bottom plan view thereof.

1 Claim, 6 Drawing Sheets



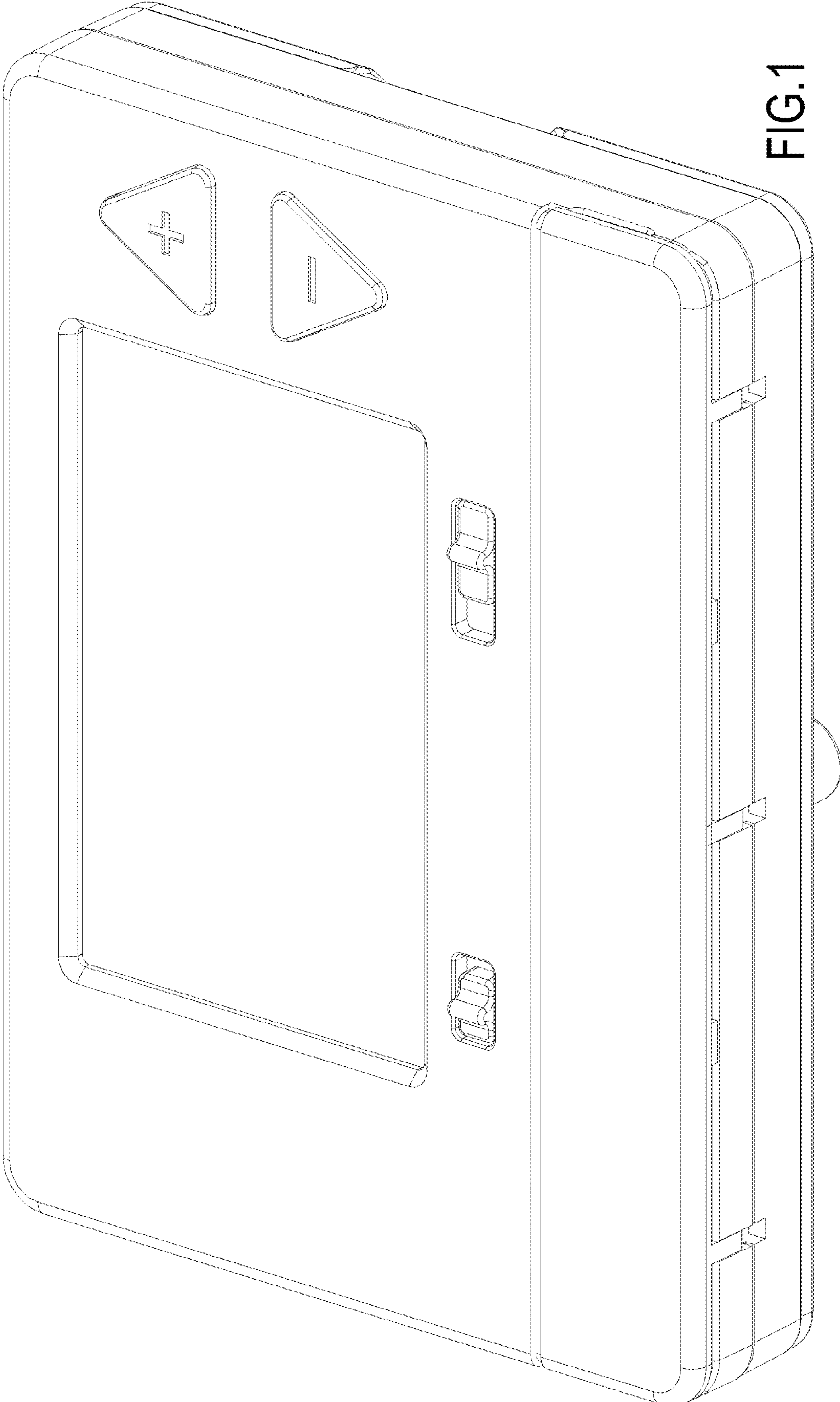


FIG.1

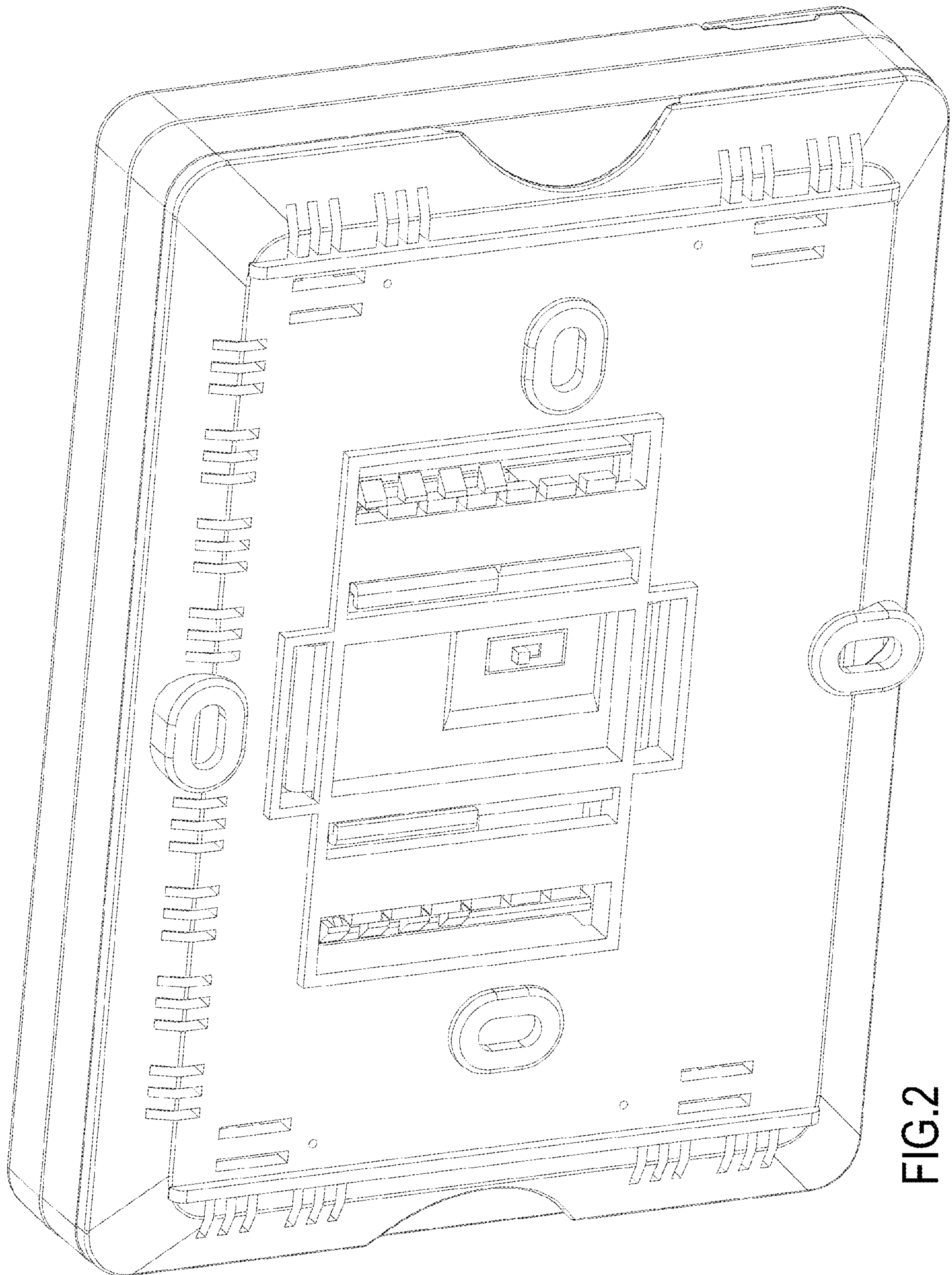


FIG.2

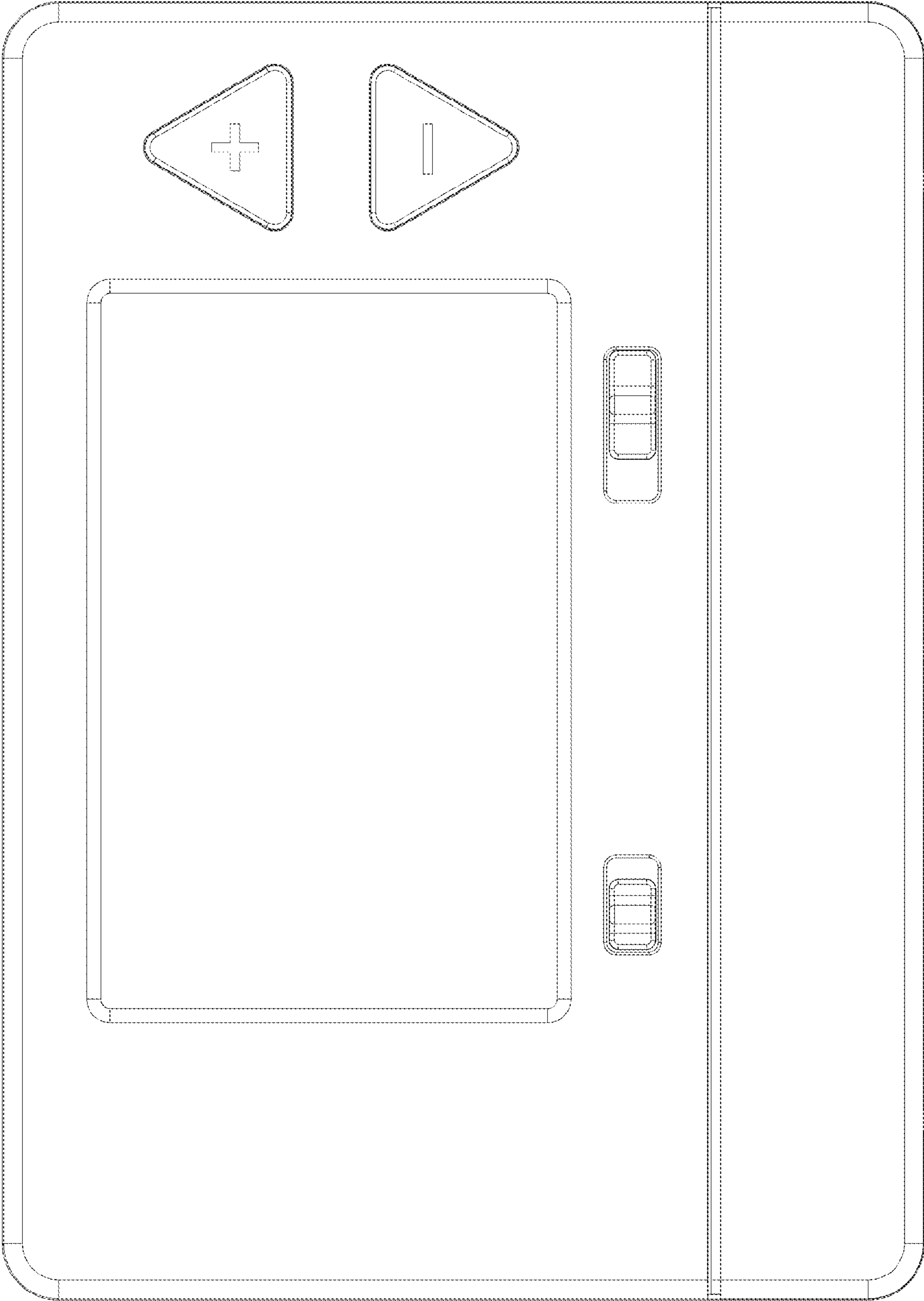


FIG. 3

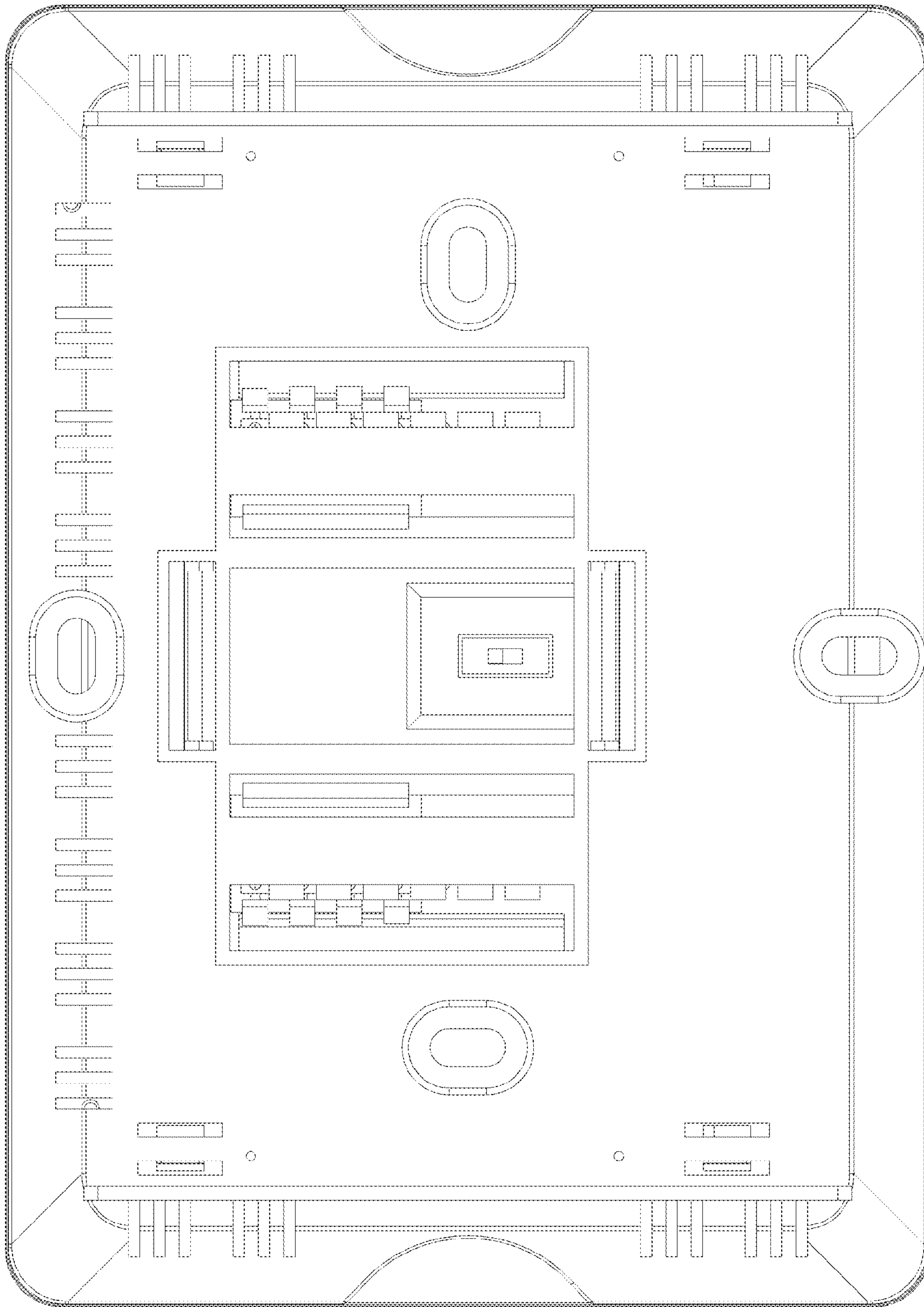


FIG.4

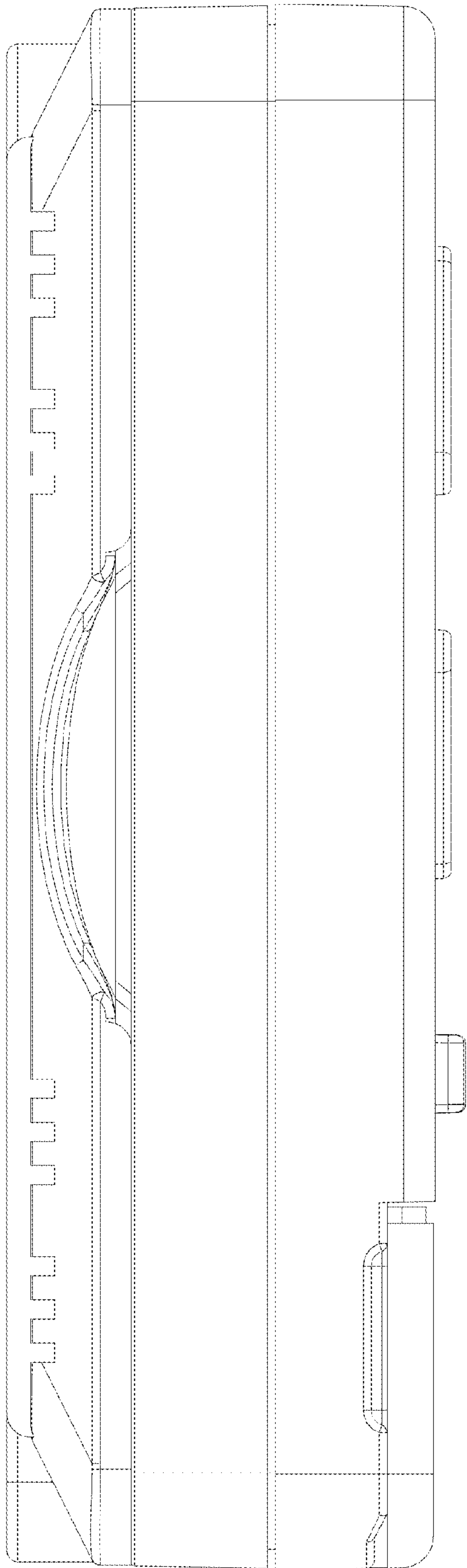


FIG.5

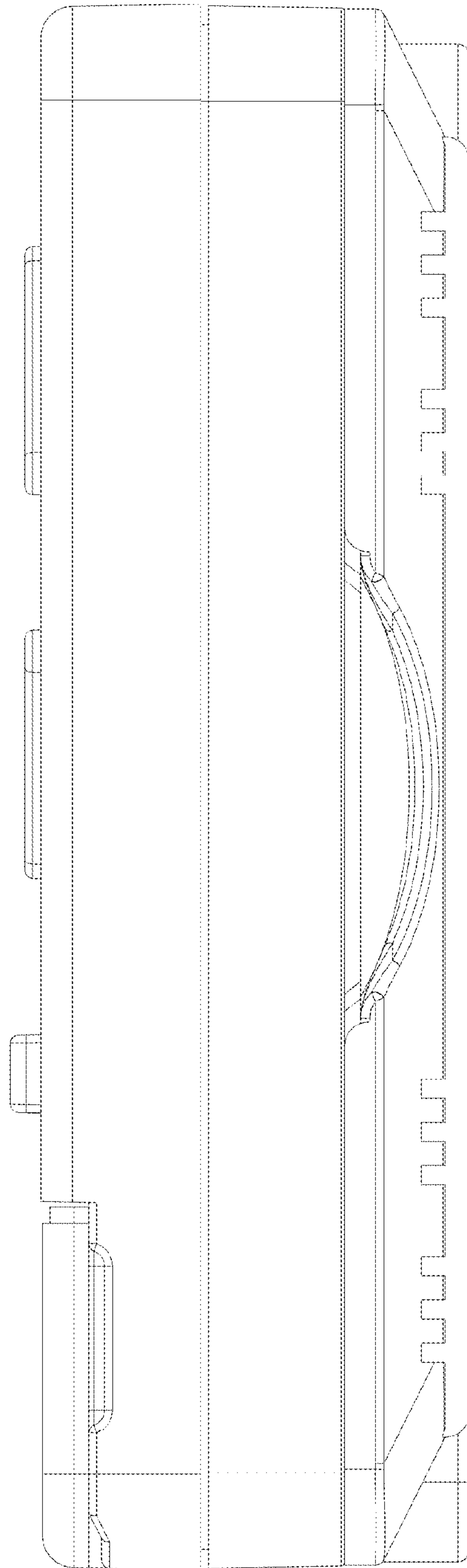


FIG.6

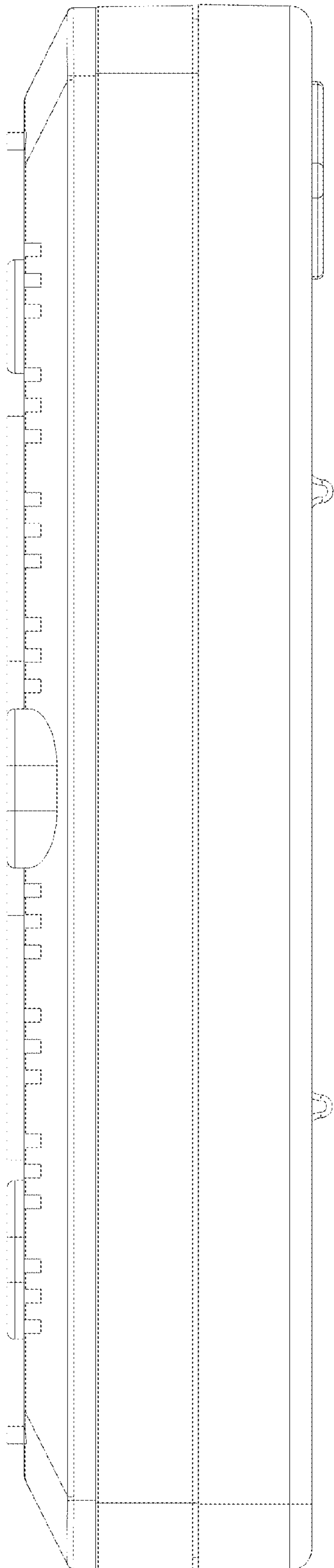


FIG. 7

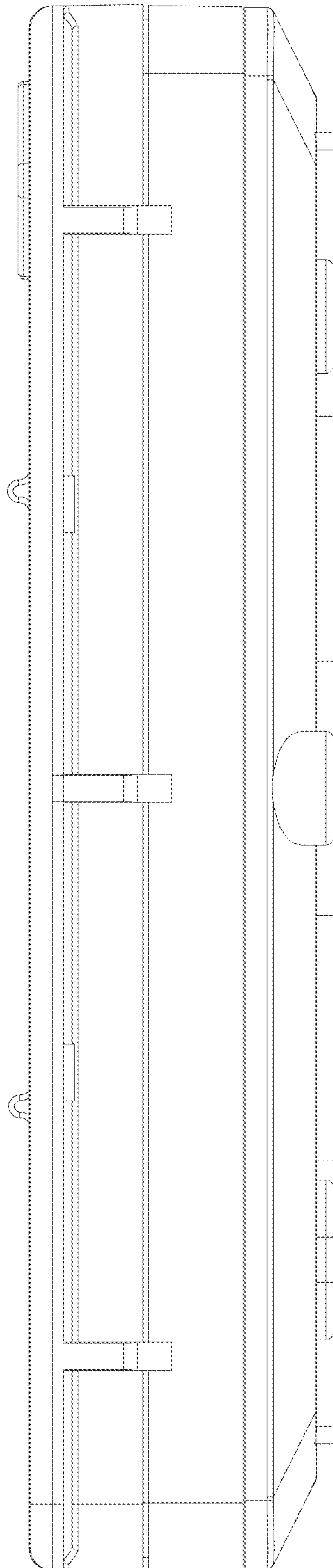


FIG. 8