



US00D962085S

(12) **United States Design Patent**
Furukawa

(10) **Patent No.:** **US D962,085 S**

(45) **Date of Patent:** **** Aug. 30, 2022**

(54) **CONSTANT TEMPERATURE LIQUID CIRCULATOR**

(71) Applicant: **SMC CORPORATION**, Chiyoda-ku (JP)

(72) Inventor: **Shota Furukawa**, Bando (JP)

(73) Assignee: **SMC CORPORATION**, Chiyoda-ku (JP)

(**) Term: **15 Years**

(21) Appl. No.: **29/731,134**

(22) Filed: **Apr. 13, 2020**

(30) **Foreign Application Priority Data**

Oct. 29, 2019 (JP) 2019-024083

(51) **LOC (13) Cl.** **10-04**

(52) **U.S. Cl.**
USPC **D10/49; D23/351**

(58) **Field of Classification Search**
USPC D23/209, 325, 332, 333, 335, 351-367, D23/388, 397; D13/162, 162.2; D10/49; D15/79
CPC A01G 13/06; A61L 9/032; A61L 9/122; F24F 1/00; F24F 1/02; F24F 1/06; F24F 1/08; F24F 1/12; F24F 1/14; F24F 1/16; F24F 1/18; F24F 1/22; F24F 1/0007; F24F 1/0022; F24F 1/0029; F24F 1/0033; F24F 3/12; F24F 3/16; F25B 6/04

See application file for complete search history.

(56) **References Cited**

U.S. PATENT DOCUMENTS

9,939,183	B2 *	4/2018	Ito	F25B 6/04
D860,009	S *	9/2019	Furukawa	D10/49
D860,010	S *	9/2019	Furukawa	D10/49
D878,222	S *	3/2020	Furukawa	D10/49
D881,038	S *	4/2020	Furukawa	D10/49
D895,060	S *	9/2020	Qin	D23/209

* cited by examiner

Primary Examiner — Gino Colan

Assistant Examiner — David Obrien

(74) *Attorney, Agent, or Firm* — Oblon, McClelland, Maier & Neustadt, L.L.P.

(57) **CLAIM**

The ornamental design for a constant temperature liquid circulator, as shown and described.

DESCRIPTION

FIG. 1 is a front, top, and left side perspective view of a constant temperature liquid circulator showing the new design;

FIG. 2 is a rear, bottom, and right side perspective view thereof;

FIG. 3 is a front elevational view thereof;

FIG. 4 is a rear elevational view thereof;

FIG. 5 is a top plan view thereof;

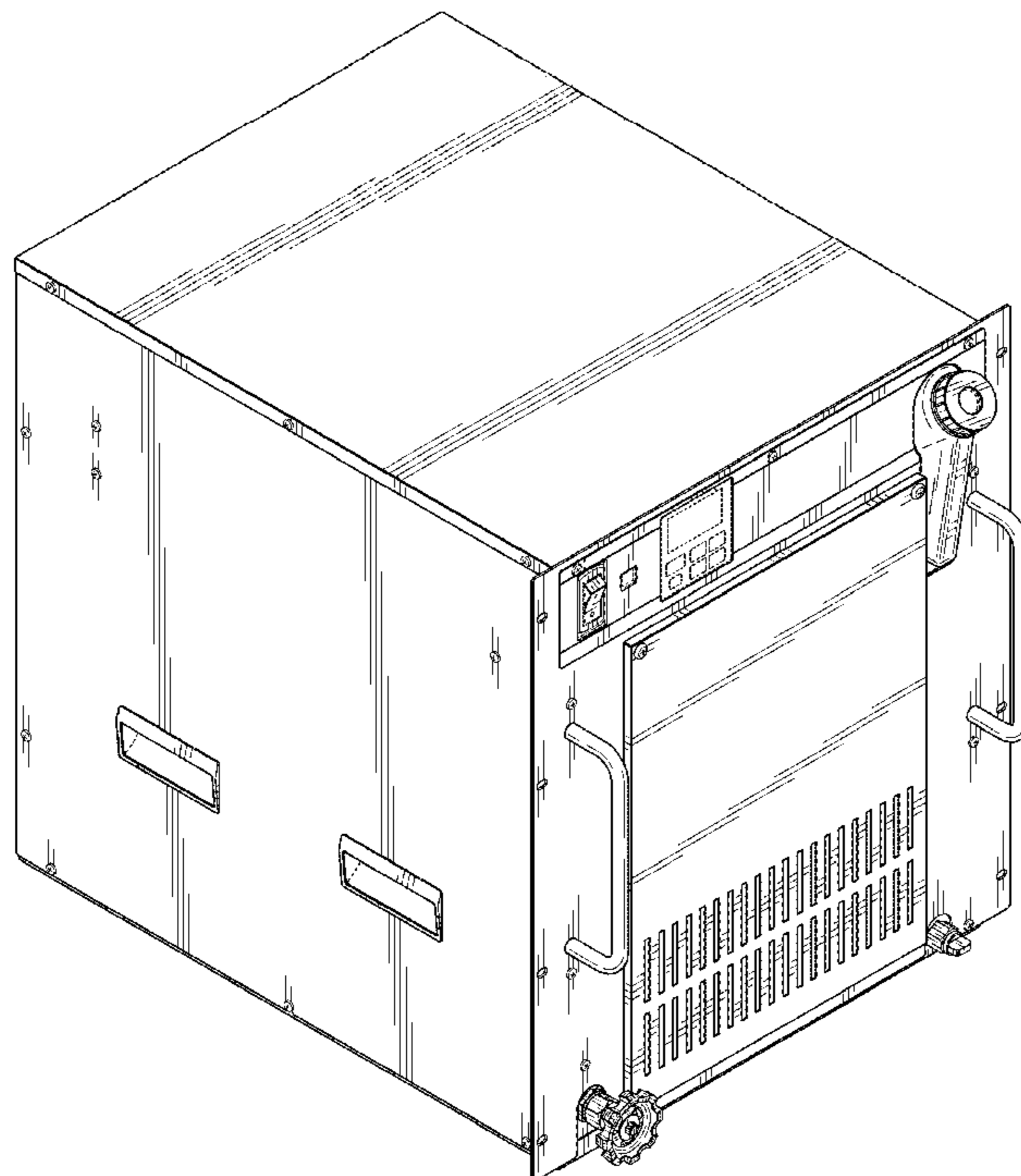
FIG. 6 is a bottom plan view thereof;

FIG. 7 is a left side elevational view thereof; and,

FIG. 8 is a right side elevational view thereof.

The broken lines shown in the figures are for the purpose of illustrating portions of the constant temperature liquid circulator that form no part of the claimed design.

1 Claim, 8 Drawing Sheets



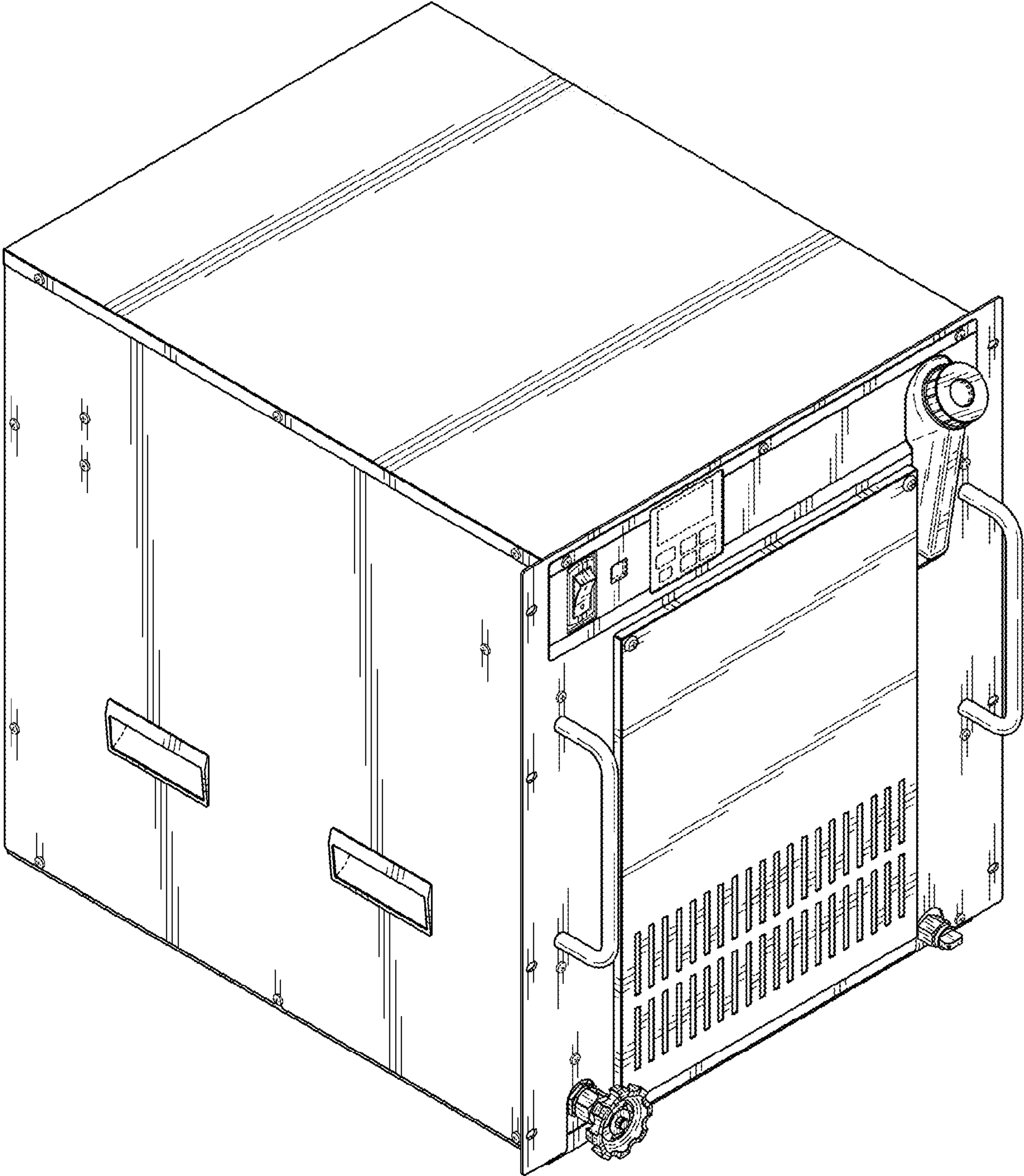


FIG. 1

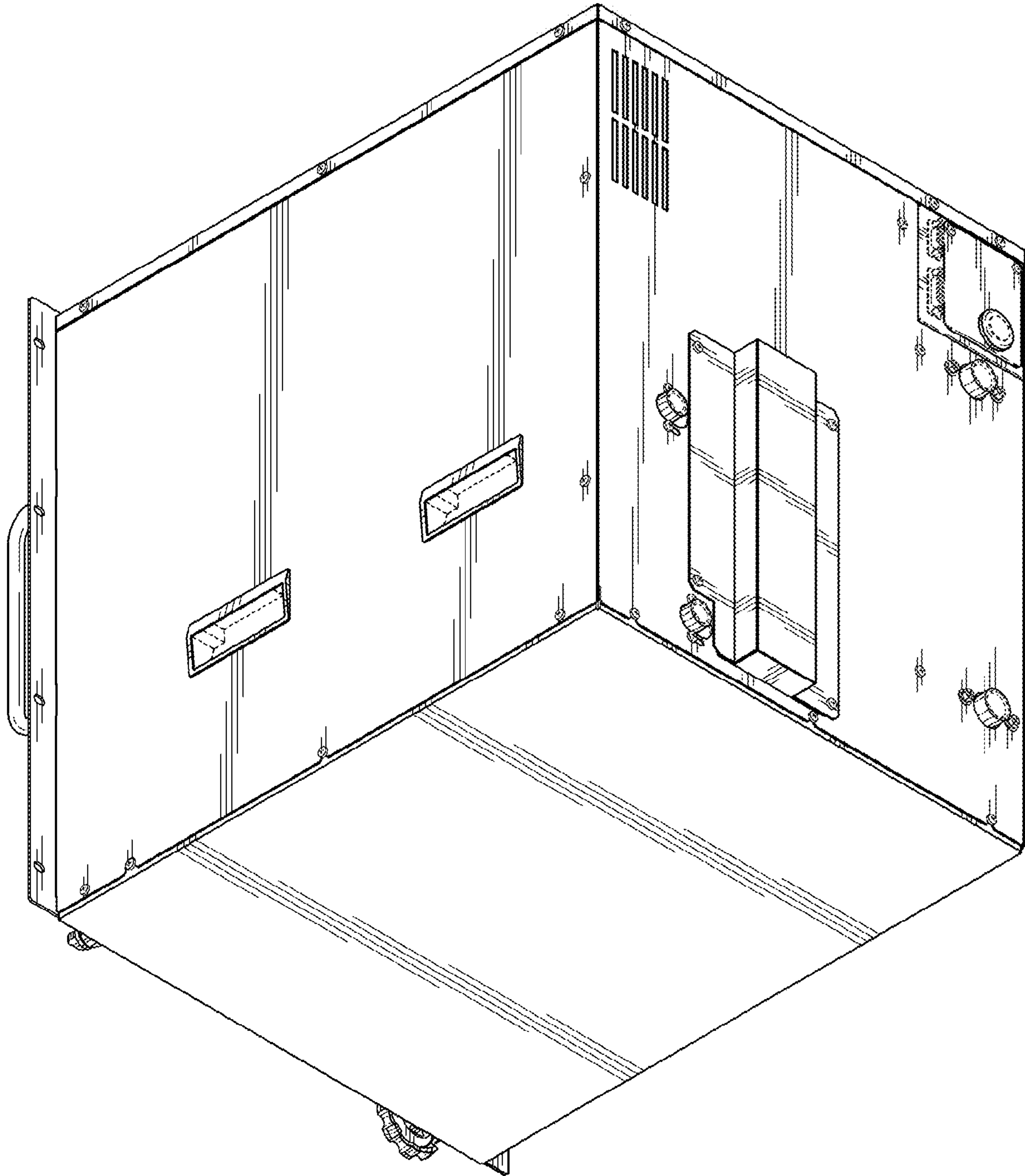


FIG. 2

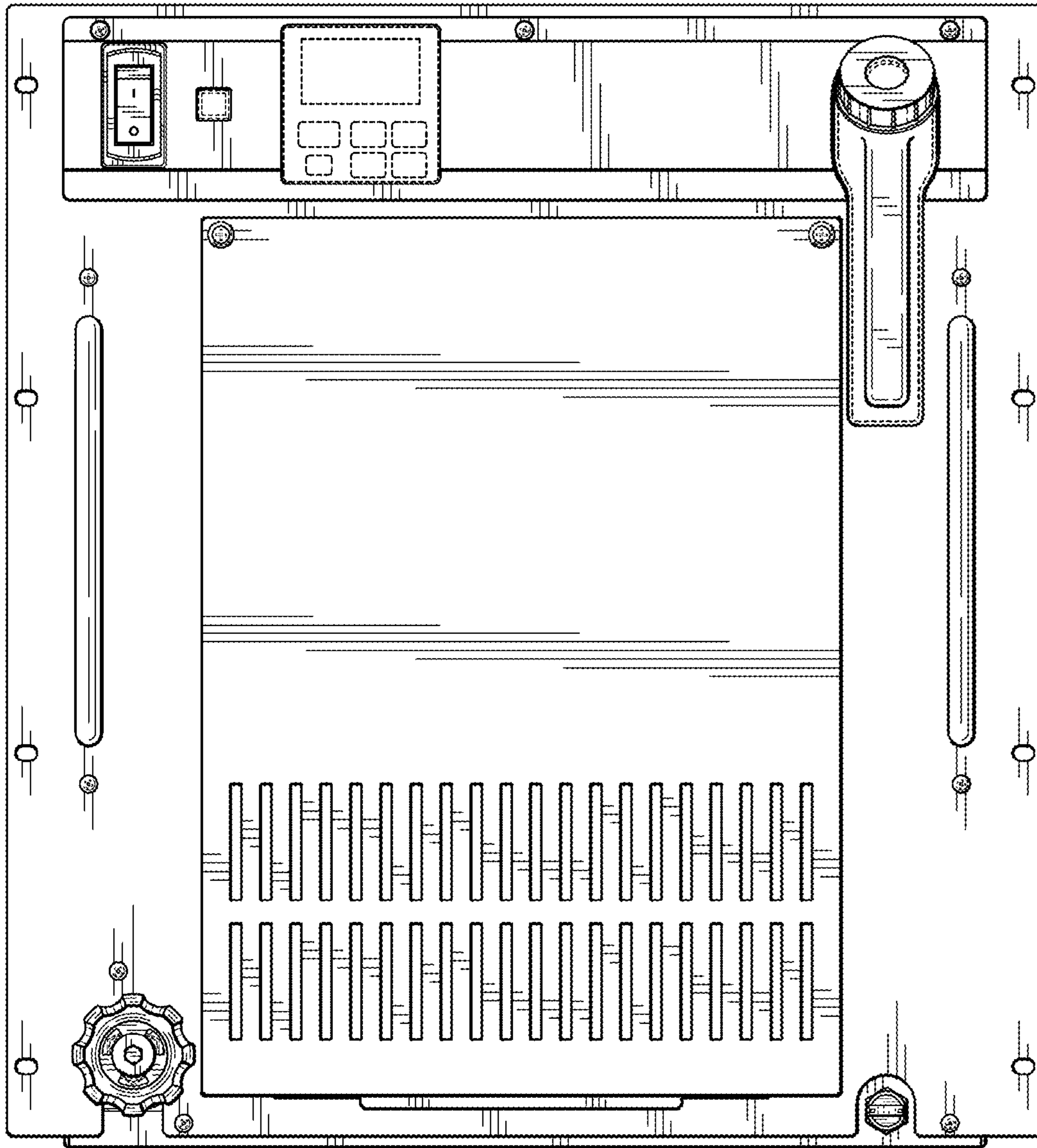


FIG. 3

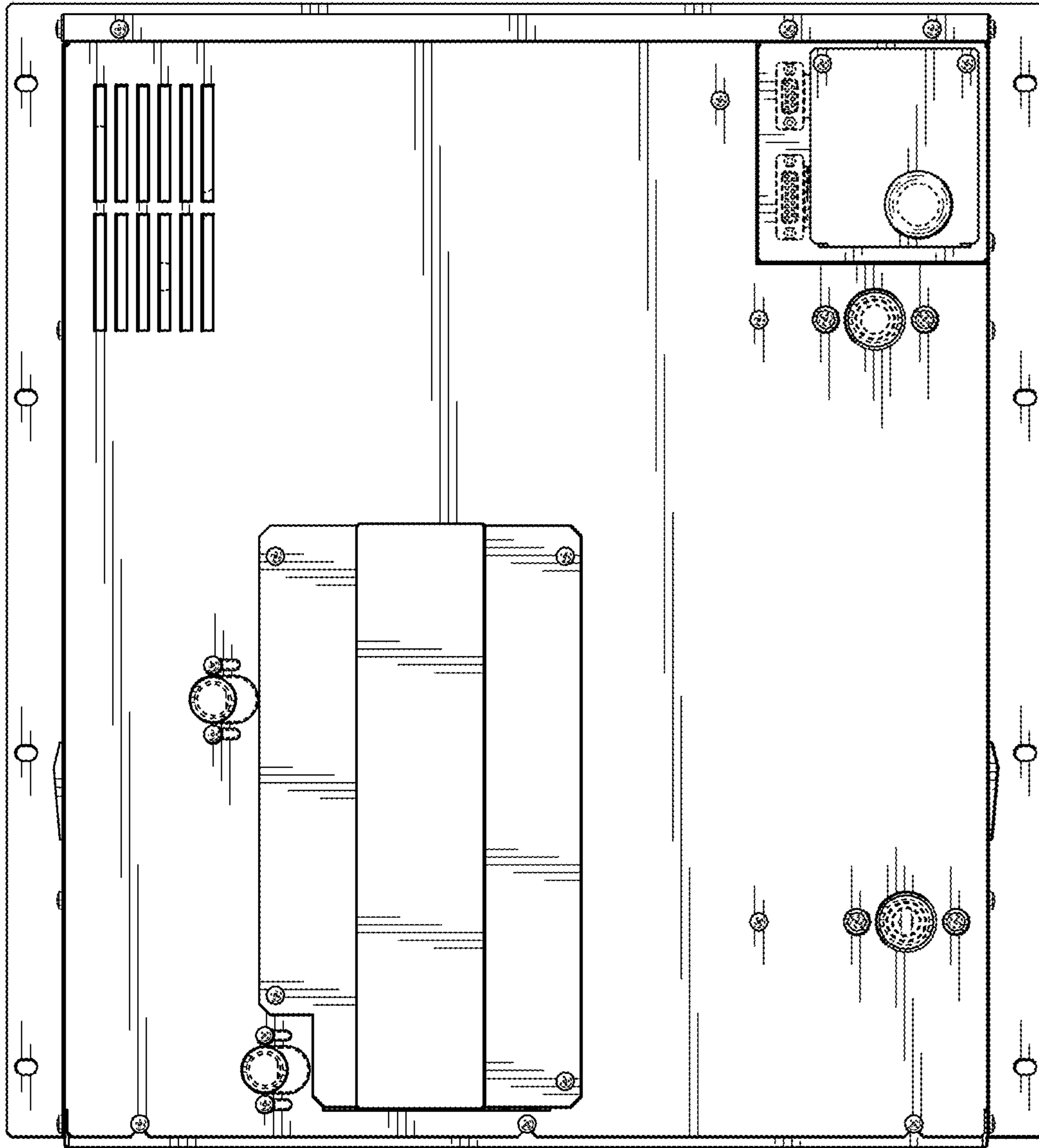


FIG. 4

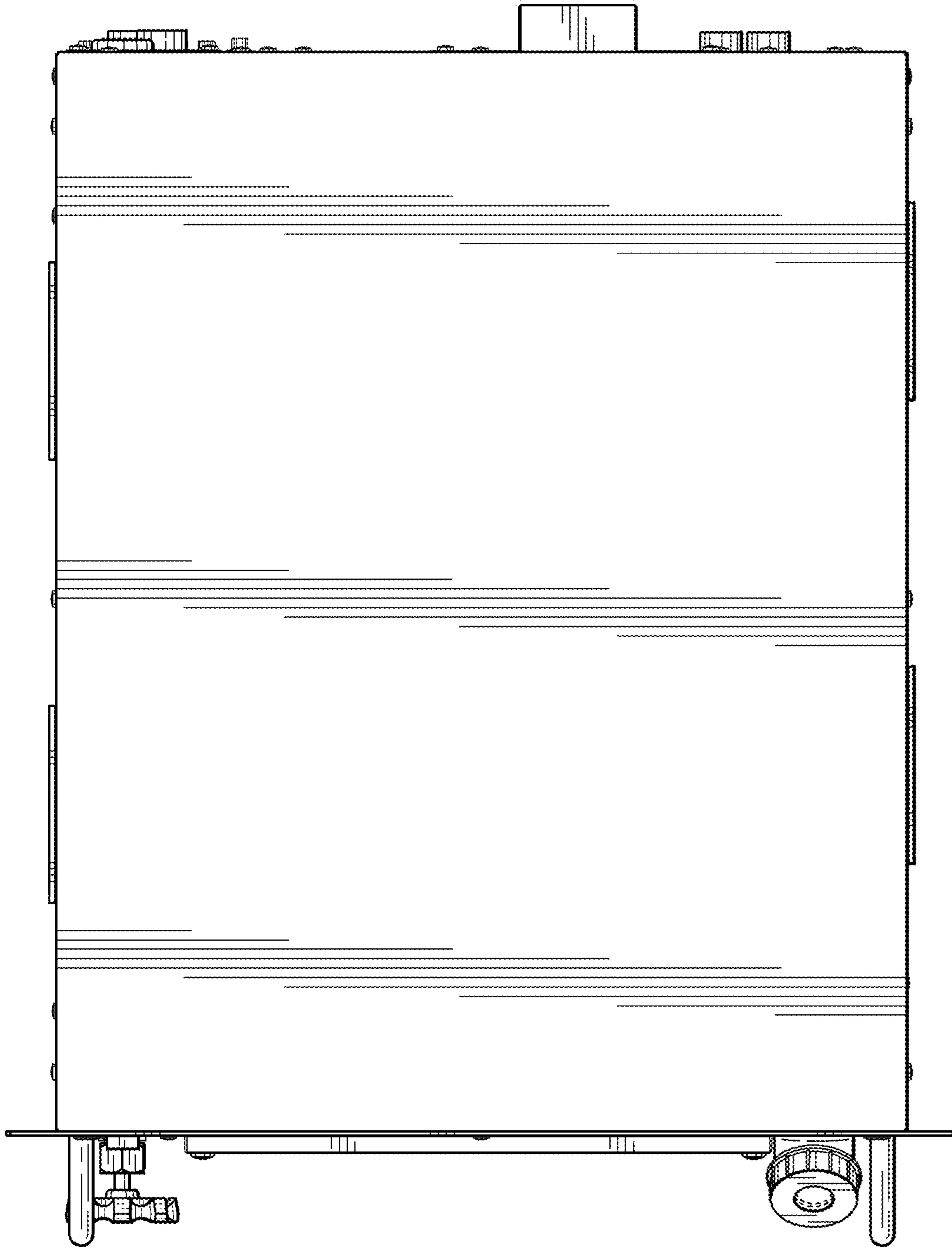


FIG. 5

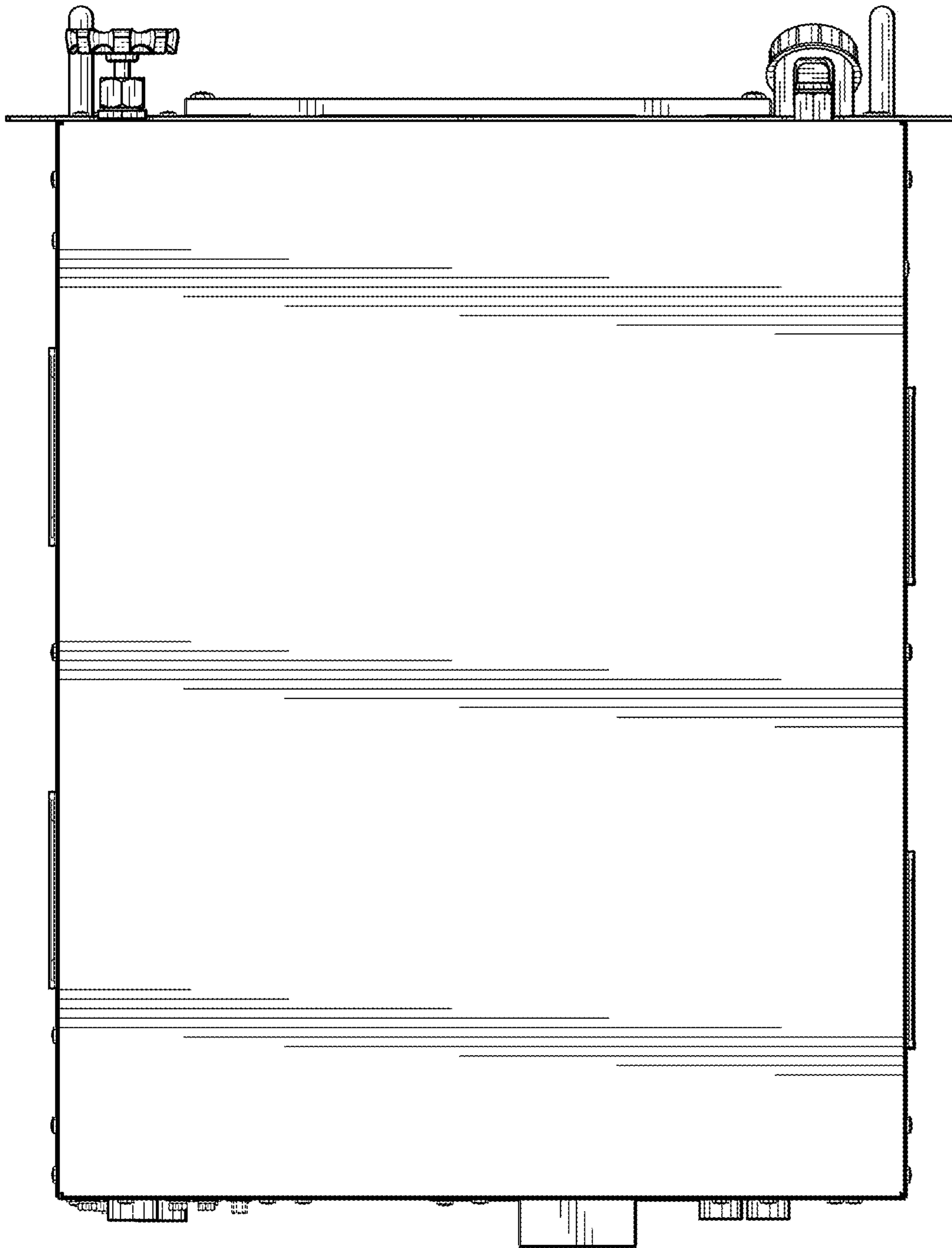


FIG. 6

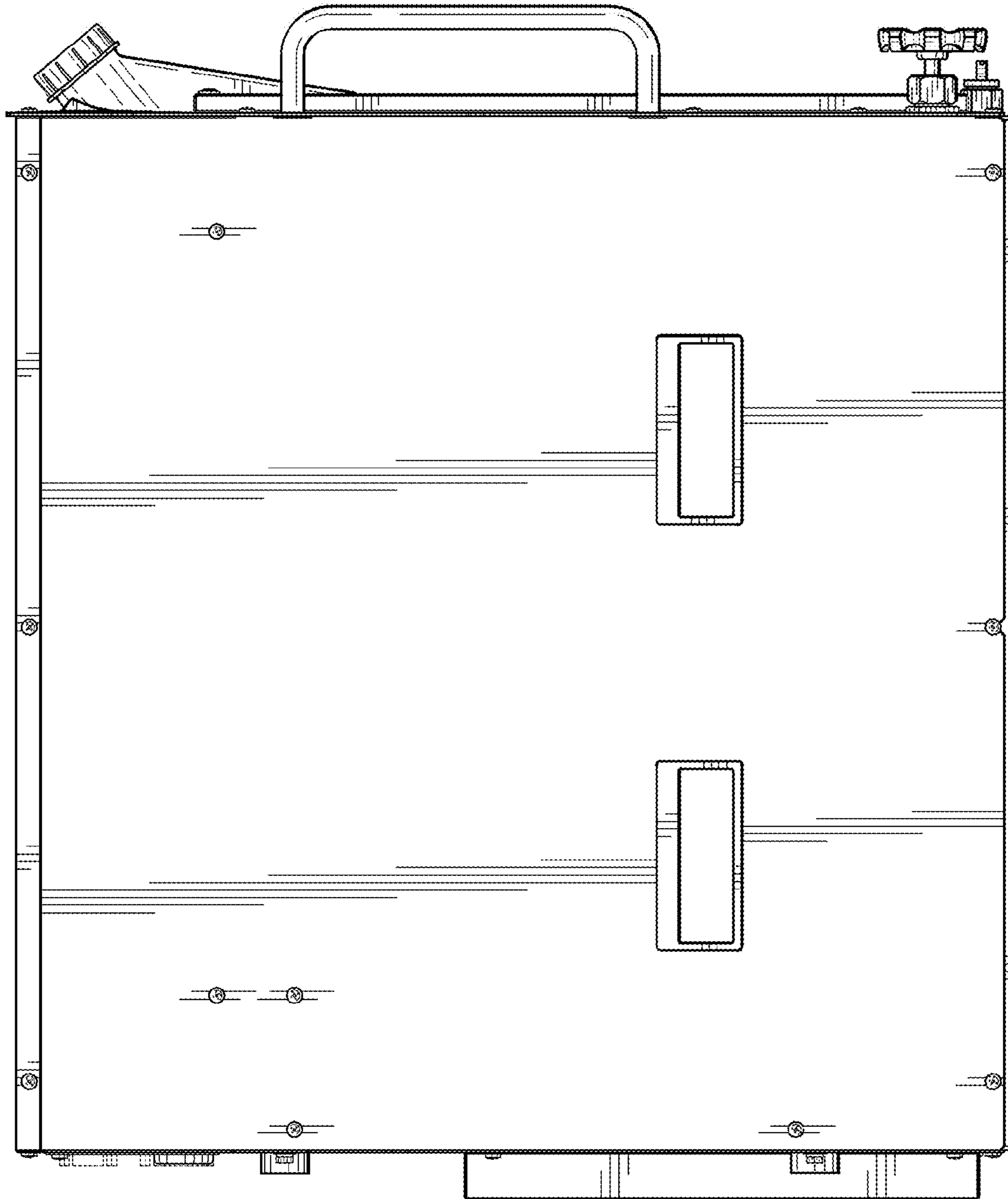


FIG. 7

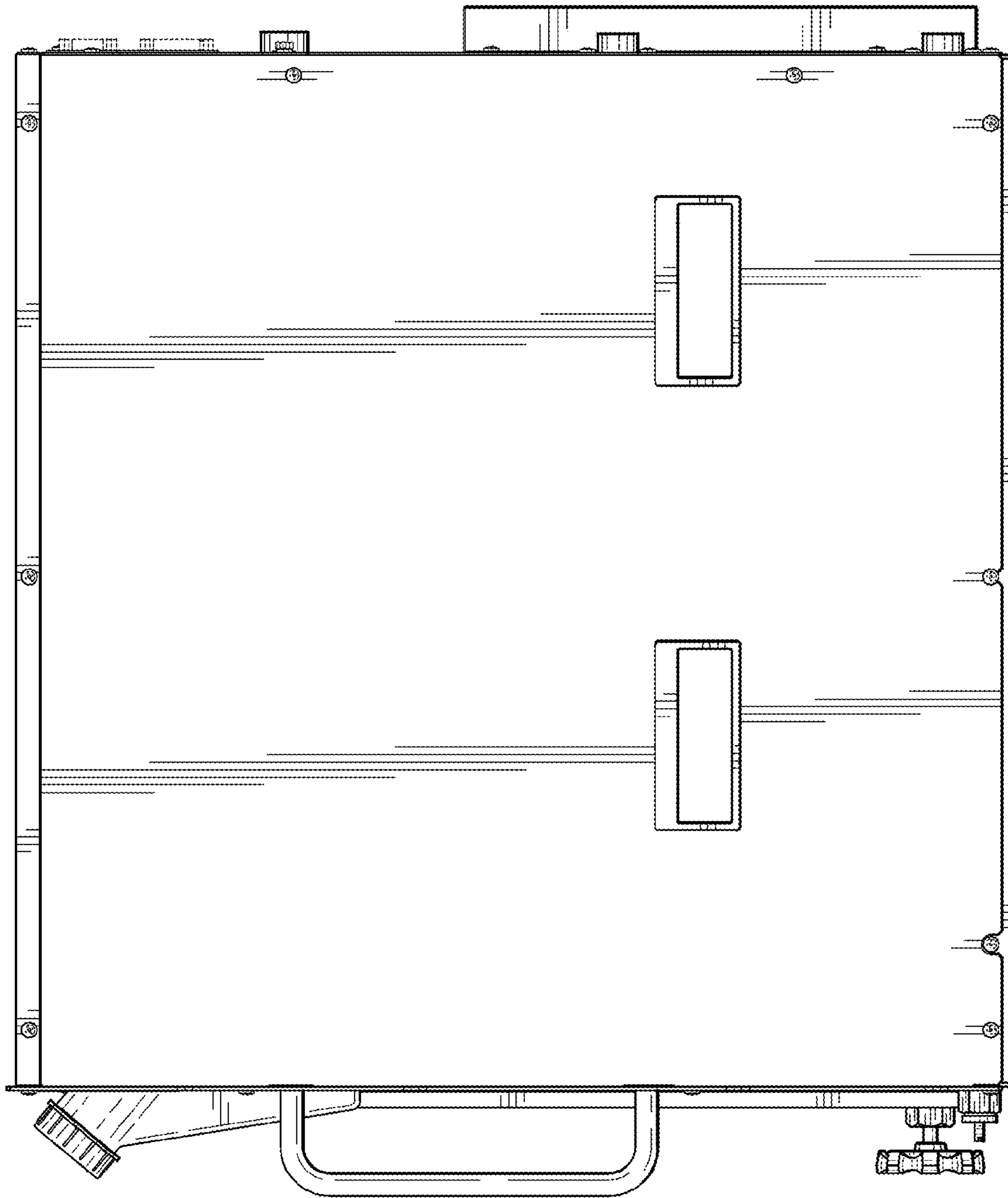


FIG. 8