



US00D962083S

(12) **United States Design Patent** (10) **Patent No.:** **US D962,083 S**  
**Zheng** (45) **Date of Patent:** **\*\* Aug. 30, 2022**

(54) **WATCH CASE WITH BAND**

FOREIGN PATENT DOCUMENTS

(71) Applicant: **Xiaolong Zheng**, Leiyang (CN)

CN 112137256 A \* 12/2020 ..... A44C 5/14  
CN 213750679 U \* 7/2021

(72) Inventor: **Xiaolong Zheng**, Leiyang (CN)

(Continued)

(\*\*) Term: **15 Years**

OTHER PUBLICATIONS

(21) Appl. No.: **29/827,190**

AmBand Compatible with Apple Watch 7 | amazon.com; date first avail Jan. 26, 2022 [online]. © 1996-2022, Amazon.com, Inc [retrieved Jun. 1, 2022] from Internet: <https://www.amazon.com/amBand-Sport-Bands-Compatible-Apple/dp/B09THCBHQ4?th=1&psc=1> (Year: 2022).\*

(22) Filed: **Feb. 17, 2022**

(51) **LOC (13) Cl.** ..... **10-02**

(52) **U.S. Cl.**  
USPC ..... **D10/32; D10/132; D11/3**

(58) **Field of Classification Search**  
USPC ..... D10/30-39, 132; D11/3; D14/344, 440  
CPC ..... A45C 5/00; A45C 5/0053; A45C 5/14;  
A45C 5/147; A45C 5/2071; A45C 11/10;  
A45C 11/12; G06F 1/163; G04G 17/00;  
G04G 17/08; G04B 37/005  
See application file for complete search history.

Primary Examiner — Katherine Glennon

(57) **CLAIM**

The ornamental design for a watch case with band, as shown and described.

(56) **References Cited**

**DESCRIPTION**

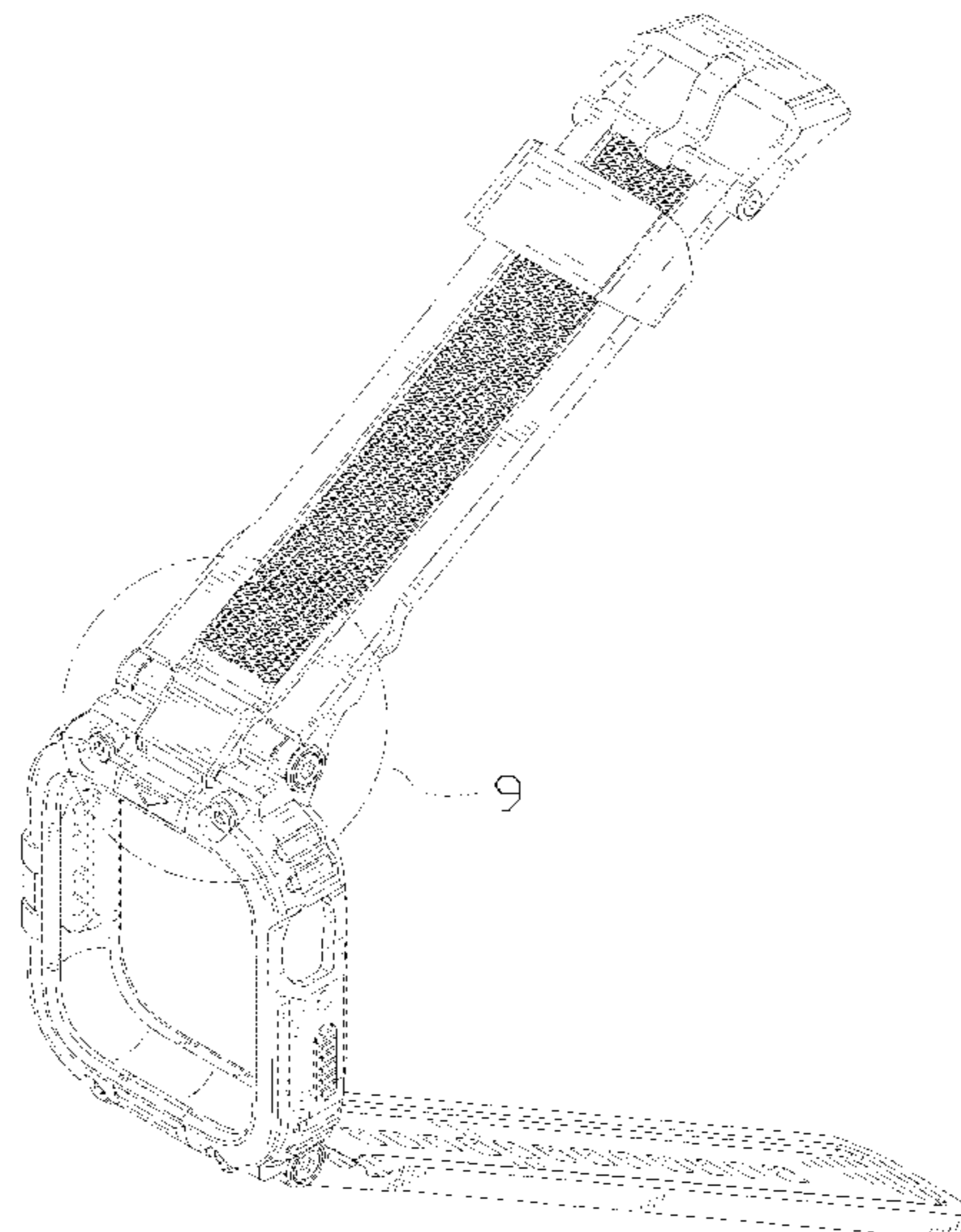
U.S. PATENT DOCUMENTS

- D401,181 S \* 11/1998 Houlihan ..... D11/3
- D625,204 S 10/2010 Kimura
- D644,952 S \* 9/2011 Rabassa ..... D11/3
- D658,511 S \* 5/2012 Wai Kei ..... D10/32
- D766,904 S \* 9/2016 Jung ..... D14/440
- D834,439 S \* 11/2018 Monachon ..... D11/3
- D848,286 S 5/2019 Behling
- D854,960 S \* 7/2019 Yu ..... D11/3
- D856,160 S \* 8/2019 Yu ..... D10/32
- D877,153 S \* 3/2020 Peng ..... D14/440
- D896,119 S \* 9/2020 Park ..... D11/3
- D913,139 S \* 3/2021 Ren ..... D14/440
- D915,400 S \* 4/2021 Park ..... D14/344
- D929,243 S \* 8/2021 Xu ..... D14/344
- D932,321 S \* 10/2021 Jung ..... D14/440
- D939,360 S \* 12/2021 Qu ..... D10/32
- D940,704 S \* 1/2022 Weng ..... D14/344
- D949,026 S \* 4/2022 Zhang ..... D10/39

(Continued)

FIG. 1 is a perspective view of a watch case with band showing my new design;  
FIG. 2 is another perspective view thereof;  
FIG. 3 is a front elevational view thereof;  
FIG. 4 is a rear elevational view thereof;  
FIG. 5 is a left side elevational view thereof;  
FIG. 6 is a right side elevational view thereof;  
FIG. 7 is a top plan view thereof;  
FIG. 8 is a bottom plan view thereof;  
FIG. 9 is an enlarged view of portion 9 shown in FIG. 1; and,  
FIG. 10 is an enlarged view of portion 10 shown in FIG. 2.  
The dash-dash broken lines in the drawings depict portions of the watch case with band that form no part of the claimed design. The dot-dash broken lines represent boundaries of the enlarged portions and form no part of the claimed design.

**1 Claim, 10 Drawing Sheets**



(56)

**References Cited**

U.S. PATENT DOCUMENTS

D949,038 S \* 4/2022 Hu ..... D10/132  
D949,711 S \* 4/2022 Huang ..... D10/32  
2020/0192296 A1\* 6/2020 Sharma ..... G04B 37/0008

FOREIGN PATENT DOCUMENTS

CN 202230033470.3 \* 1/2022  
FR 3103913 A1 \* 6/2021 ..... A44C 5/14  
JP 2022029581 A \* 2/2022 ..... G04B 37/18

\* cited by examiner

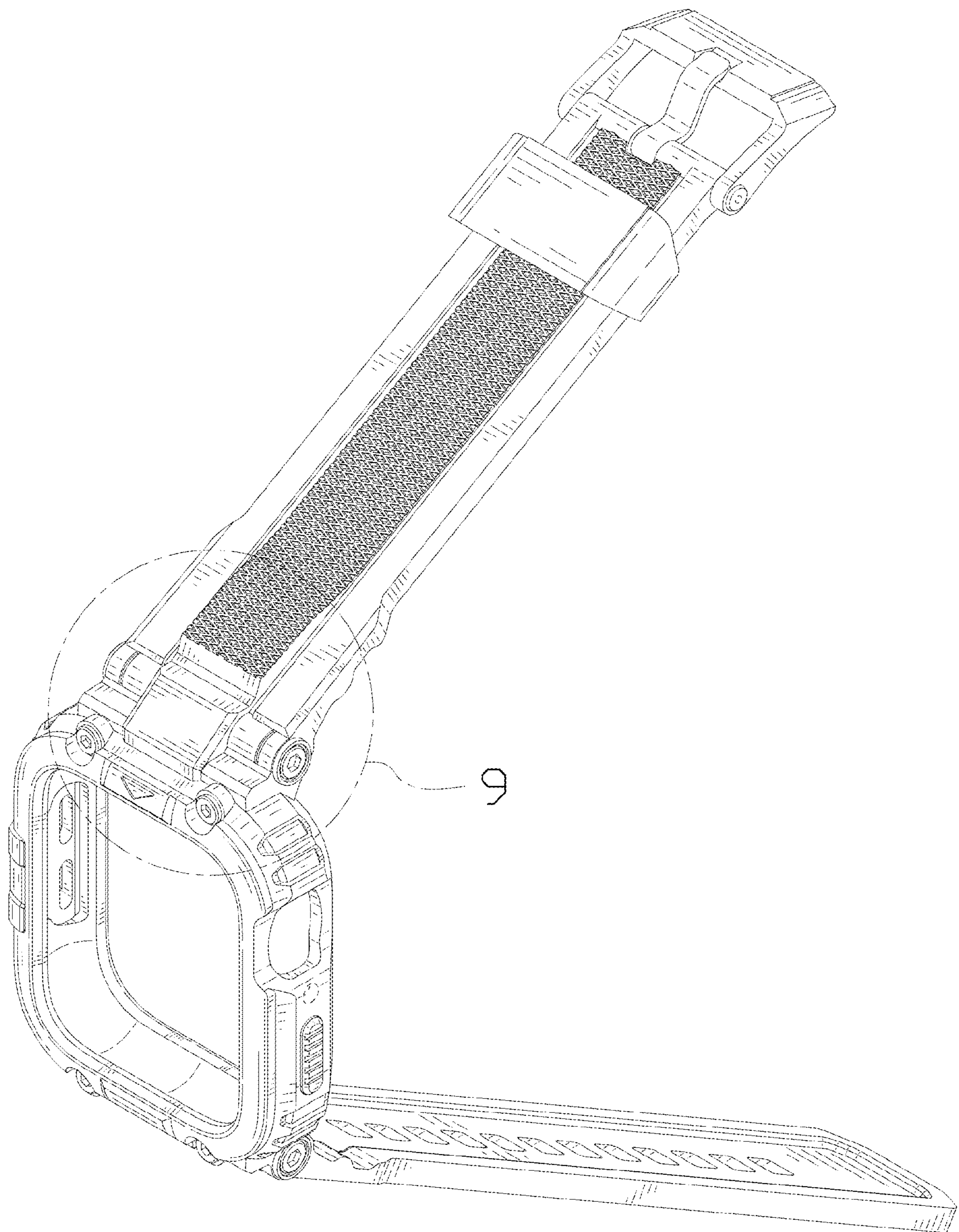


FIG. 1

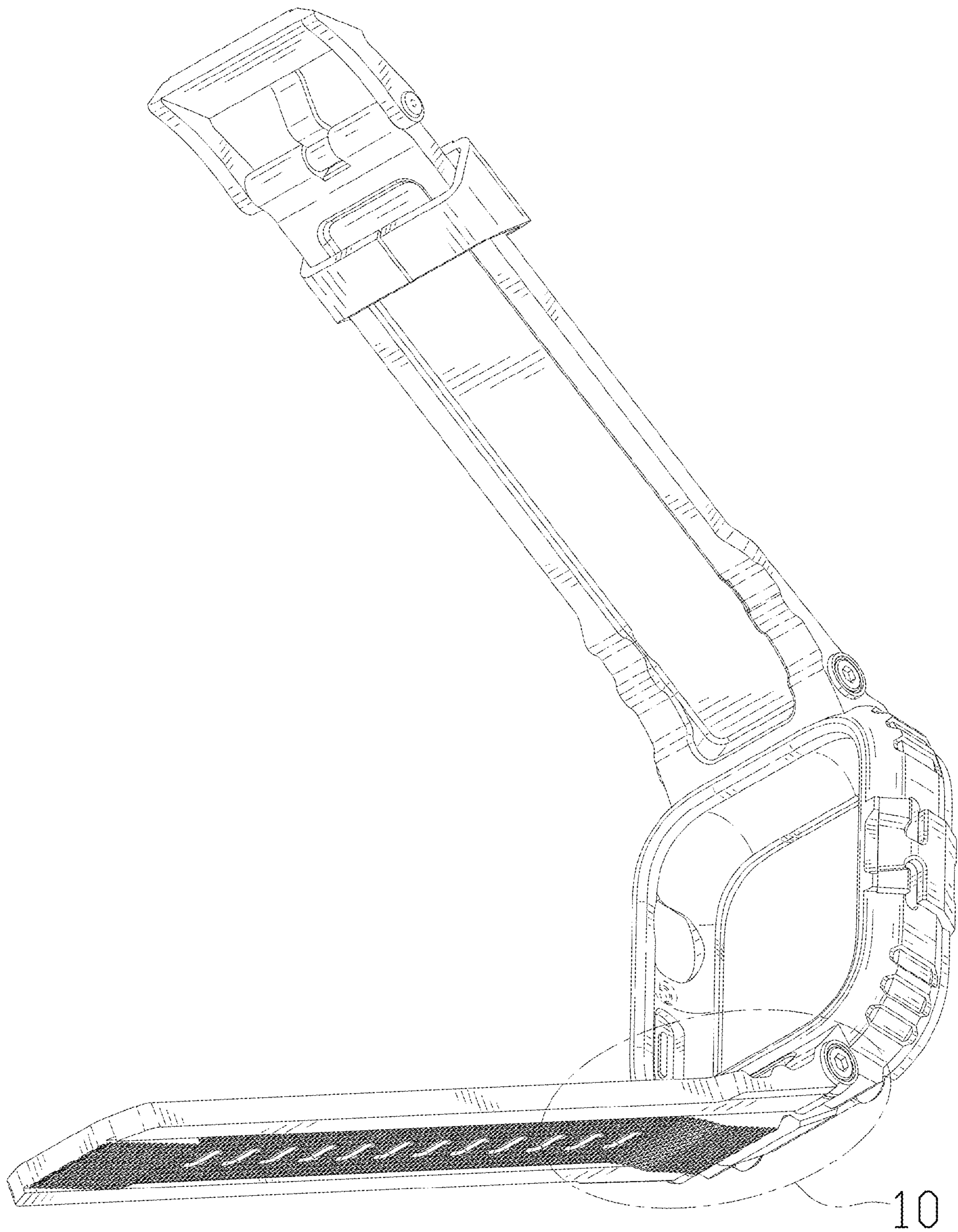


FIG. 2

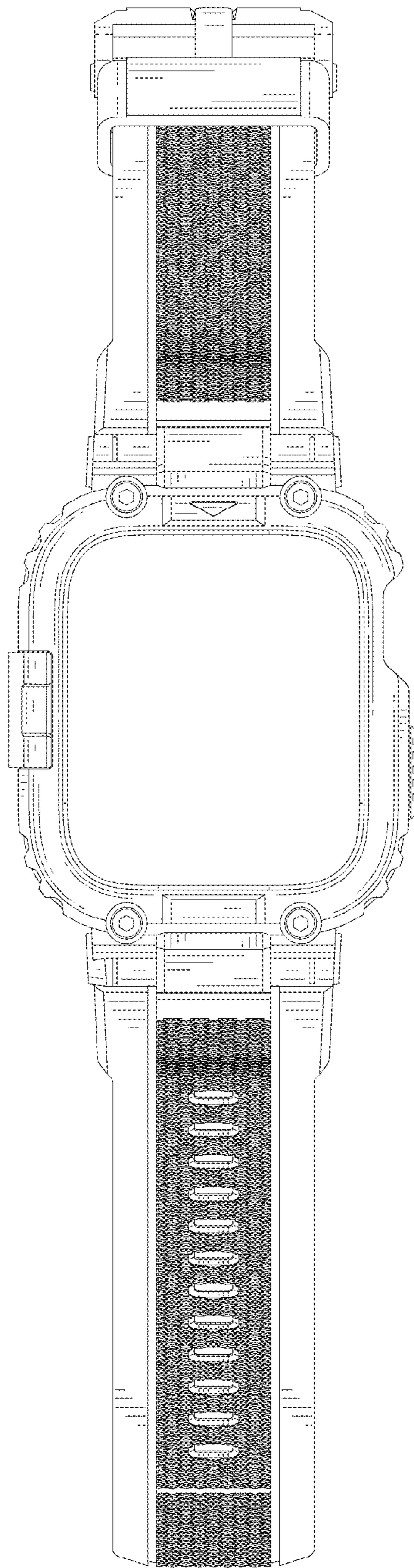


FIG. 3

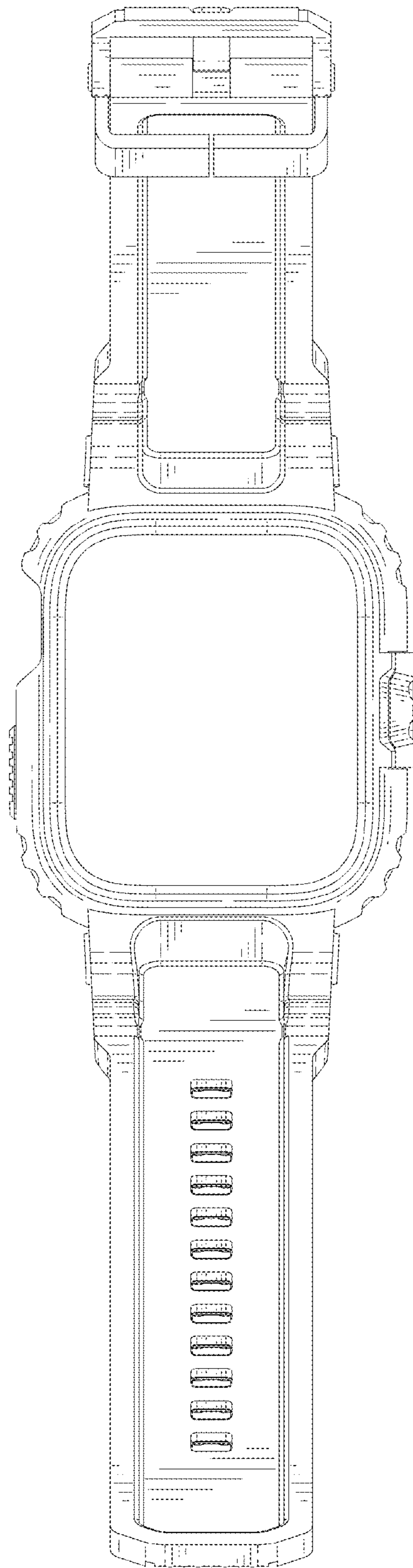


FIG. 4

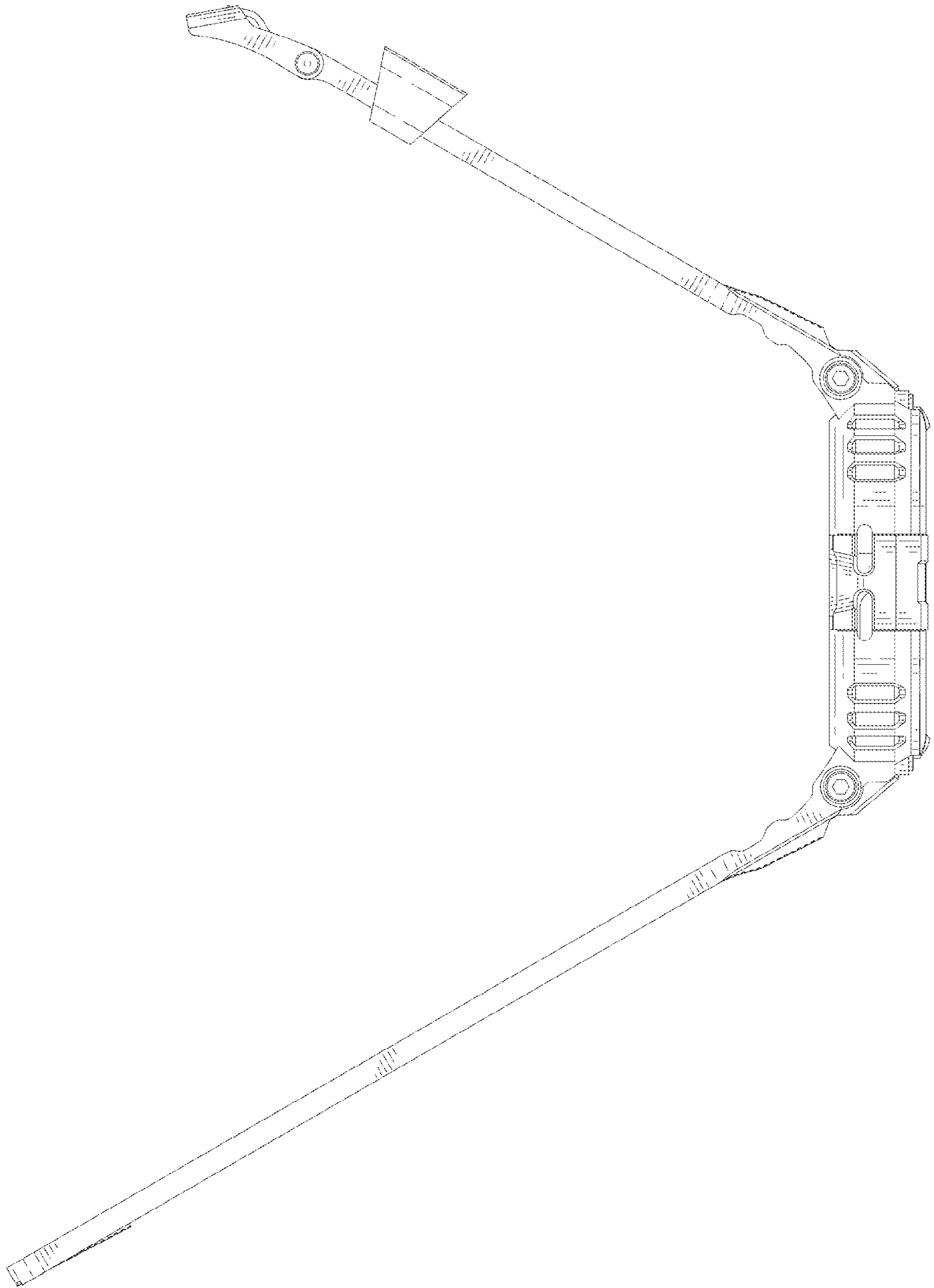


FIG. 5

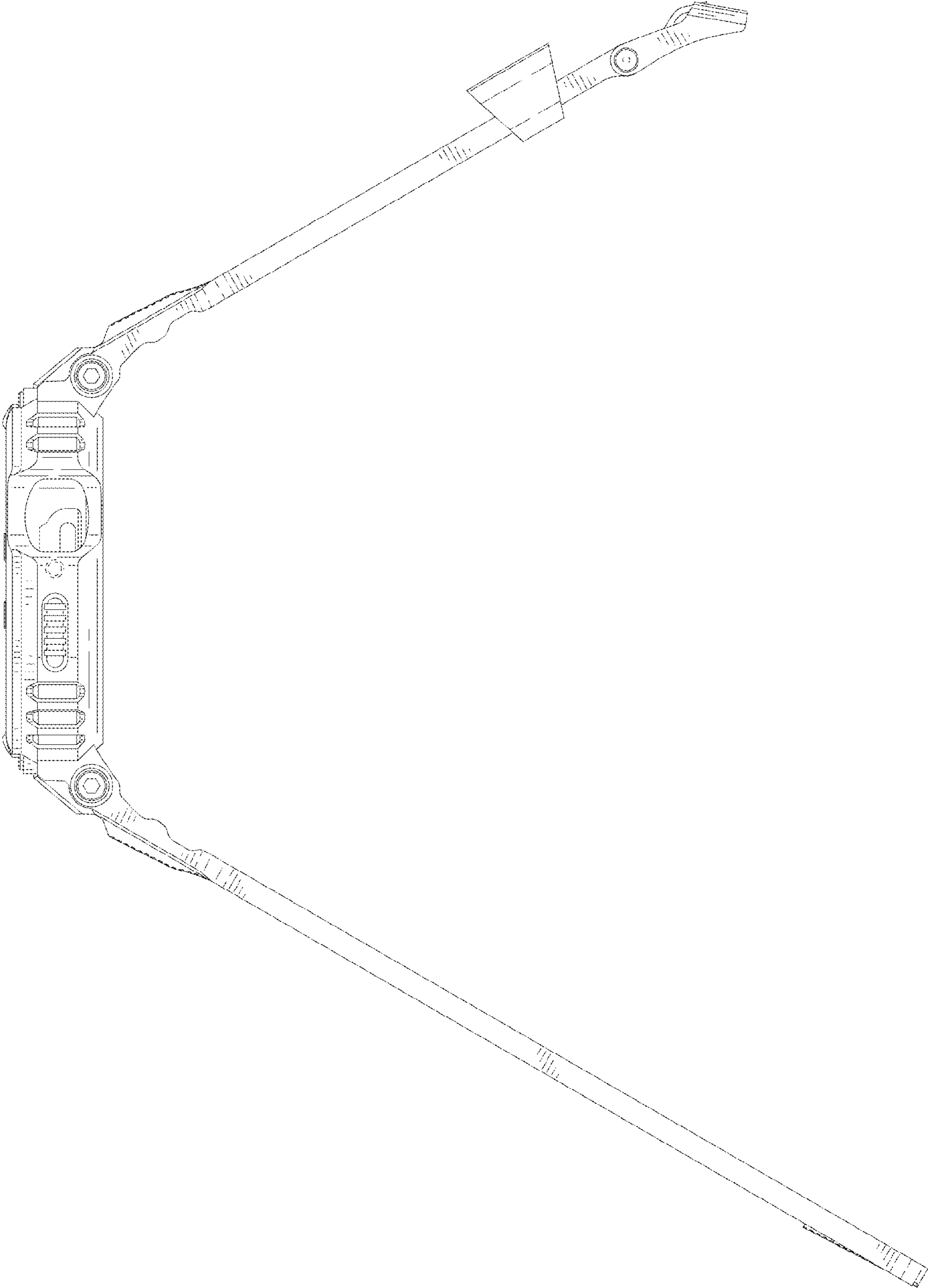


FIG. 6



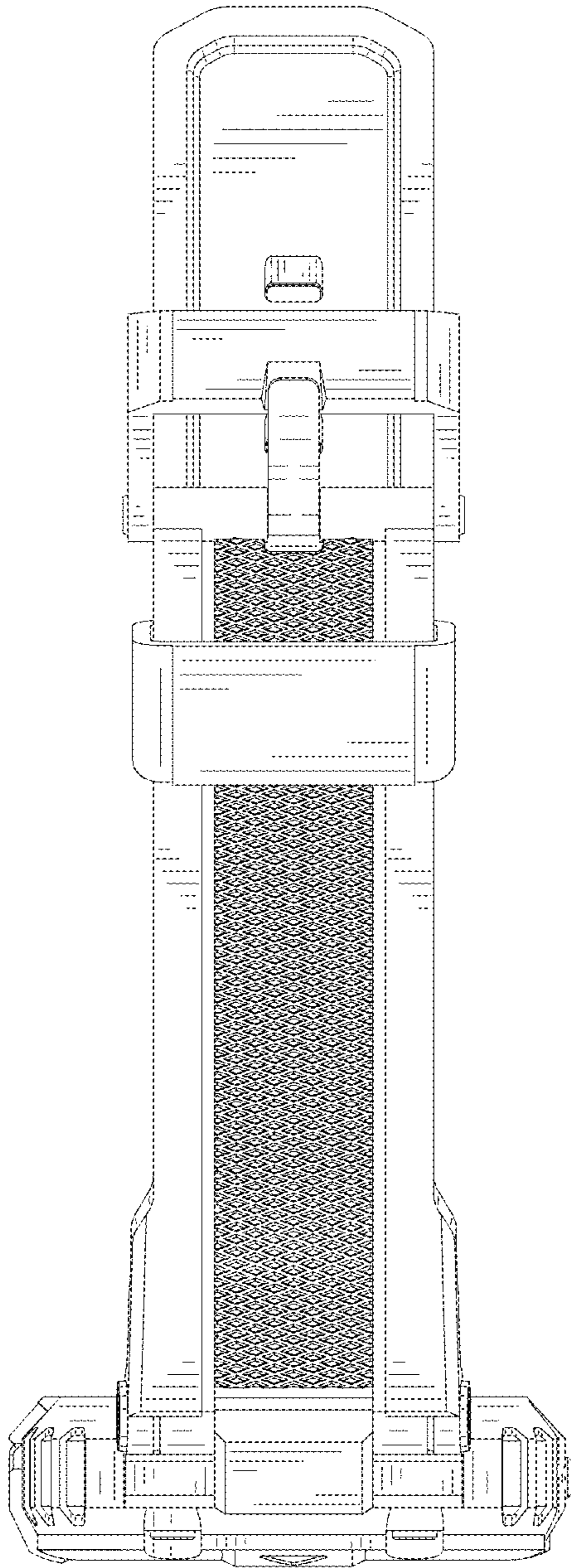


FIG. 7

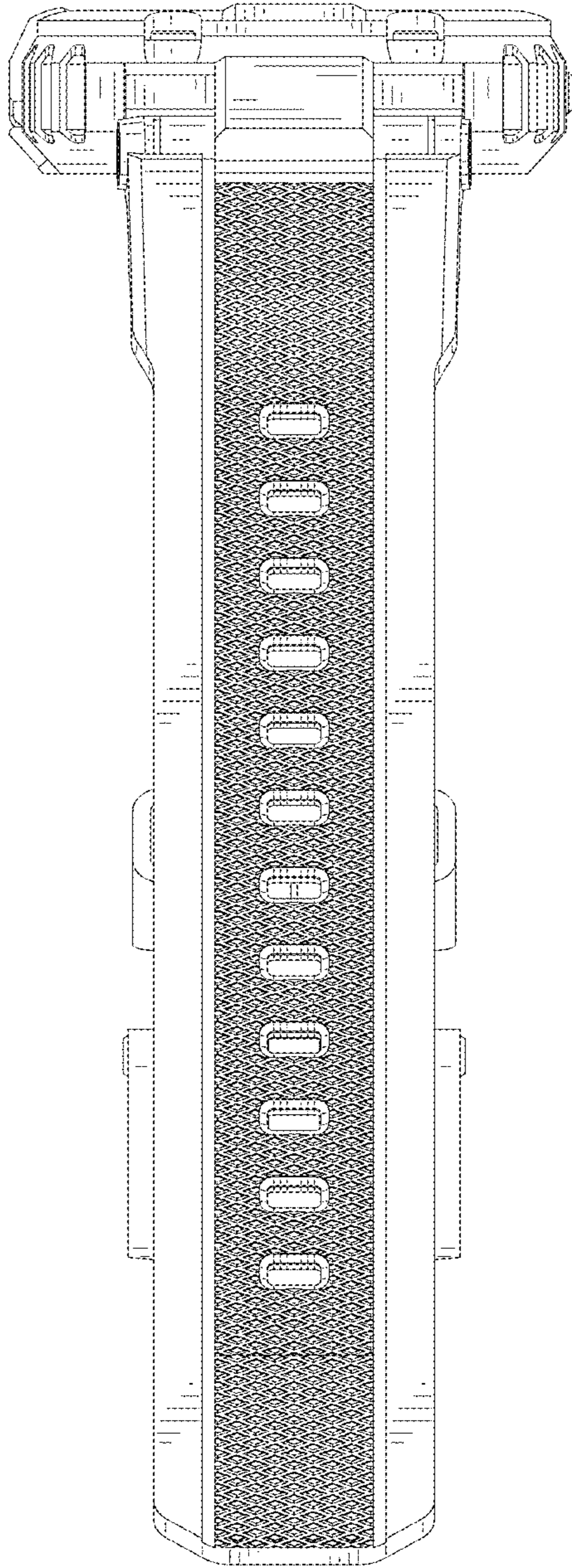


FIG. 8

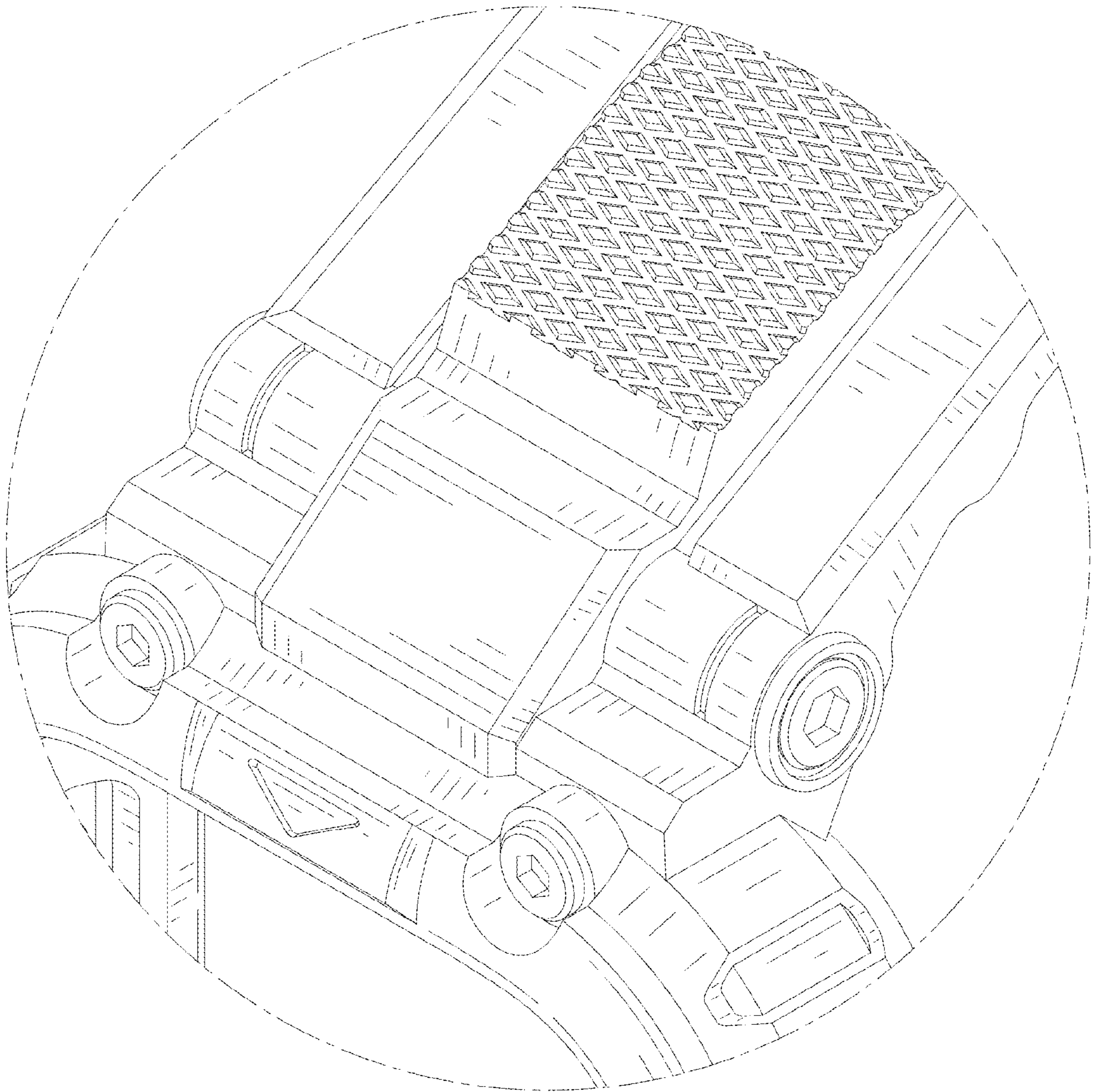


FIG. 9

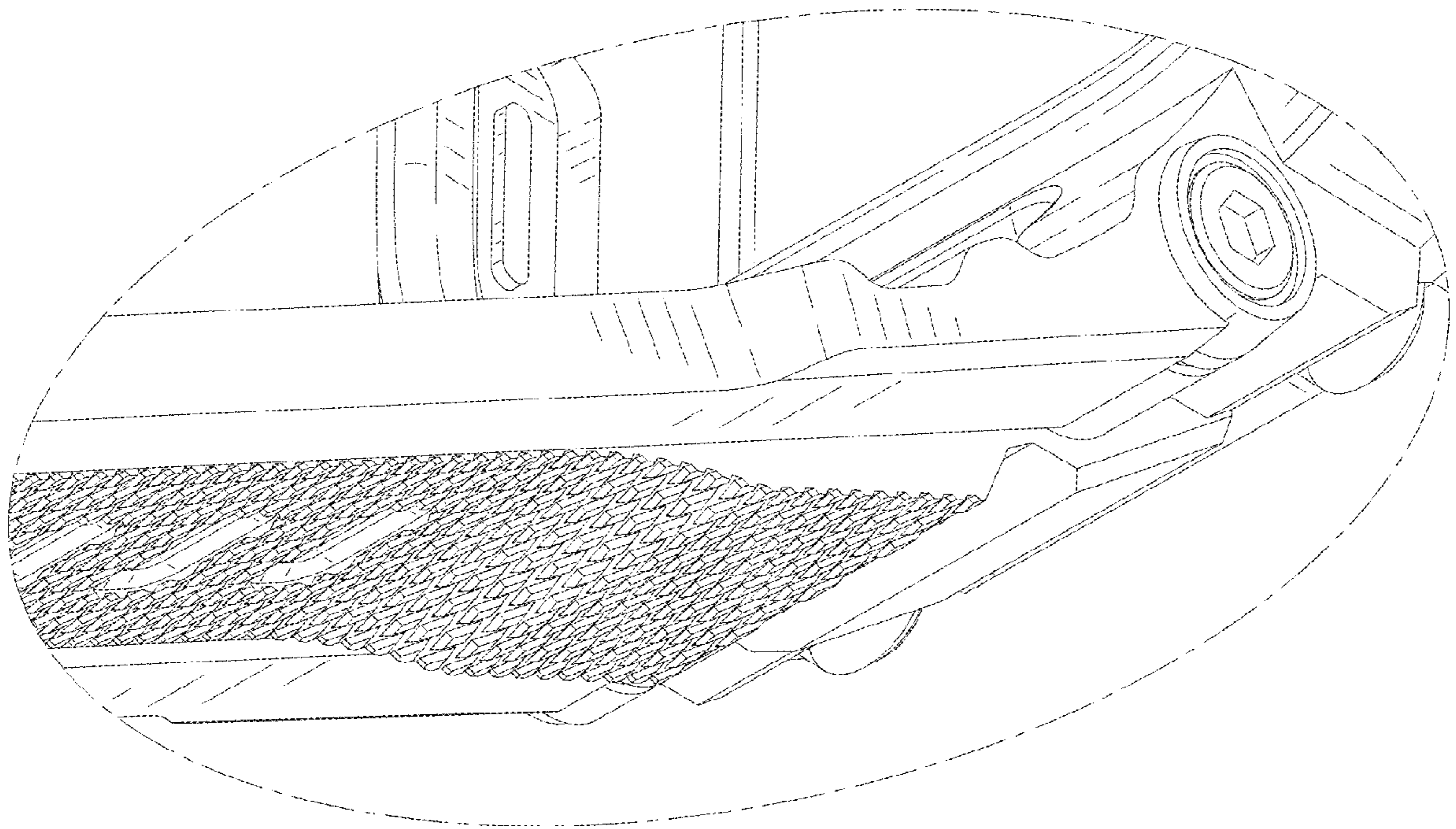


FIG. 10