



US00D962082S

(12) **United States Design Patent**
Wiese et al.

(10) **Patent No.:** **US D962,082 S**
(45) **Date of Patent:** **** Aug. 30, 2022**

(54) **PACKAGE**

(71) Applicant: **Kraft Foods Group Brands LLC**,
Chicago, IL (US)

(72) Inventors: **Jonathan Wiese**, Chicago, IL (US);
Charles Phillips, Hartsville, SC (US);
Ryan Boudreaux, Fairfield, CT (US);
Luis Ramiro Gutierrez Montenegro,
Fairfield, CT (US); **Michelle Cozo**
Pollard, Chicago, IL (US)

(73) Assignee: **Kraft Foods Group Brands LLC**,
Chicago, IL (US)

(**) Term: **15 Years**

(21) Appl. No.: **29/711,164**

(22) Filed: **Oct. 29, 2019**

(51) **LOC (13) Cl.** **09-03**

(52) **U.S. Cl.**
USPC **D9/756**

(58) **Field of Classification Search**
USPC D9/732, 737, 756, 758, 414, 420, 421,
D9/423, 424, 425, 428, 430-433, 456,
D9/499; D7/553.1-553.8, 555; D24/226,
D24/229, 230
CPC ... B65D 1/30; B65D 1/34; B65D 1/36; B65D
43/162; B65D 81/3453; B65D 21/0206;
A61C 17/005; A61C 19/006
See application file for complete search history.

(56) **References Cited**

U.S. PATENT DOCUMENTS

D215,271 S * 9/1969 Hildebrand, Jr. D9/456
3,890,448 A 6/1975 Ito
4,889,741 A 12/1989 Timmons
5,503,858 A * 4/1996 Reskow B65D 1/36
426/119
D426,751 S * 6/2000 Obra D7/549
D530,626 S * 10/2006 Tanja D9/761

D595,998 S * 7/2009 Hauser D7/672
D597,262 S * 7/2009 Shamoan D30/130
D699,076 S * 2/2014 Harris D7/587
(Continued)

OTHER PUBLICATIONS

Angstrom, How to Control Humidity in your Cleanroom, Anstrom
Technology Cleanroom Experts, accessed: Dec. 14, 2021, <[https://
angstromtechnology.com/control-humidity-cleanroom/](https://angstromtechnology.com/control-humidity-cleanroom/)>, 2017.
(Continued)

Primary Examiner — W. A. Teddy Falloway
(74) *Attorney, Agent, or Firm* — Fitch Even Tabin &
Flannery LLP

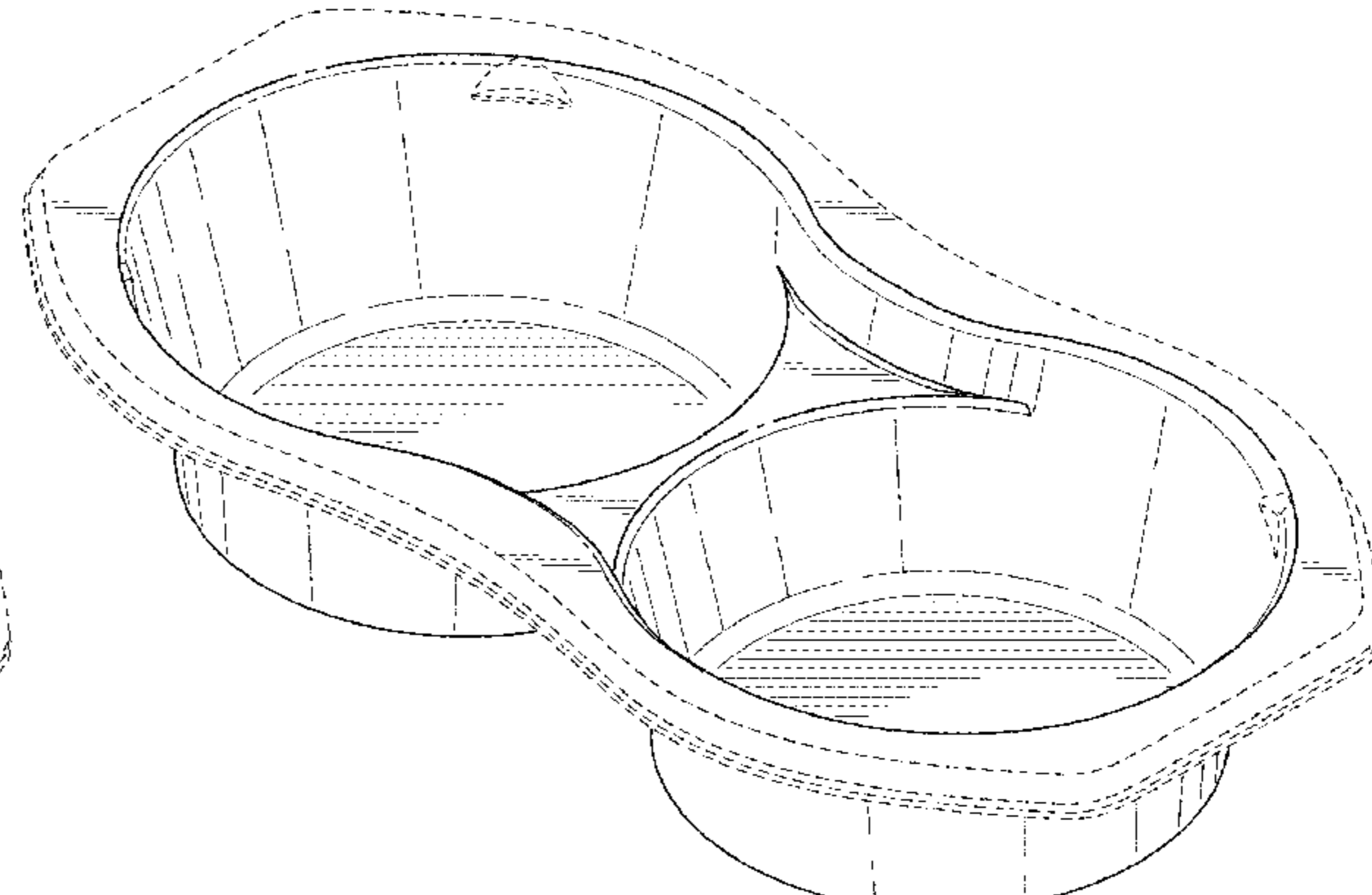
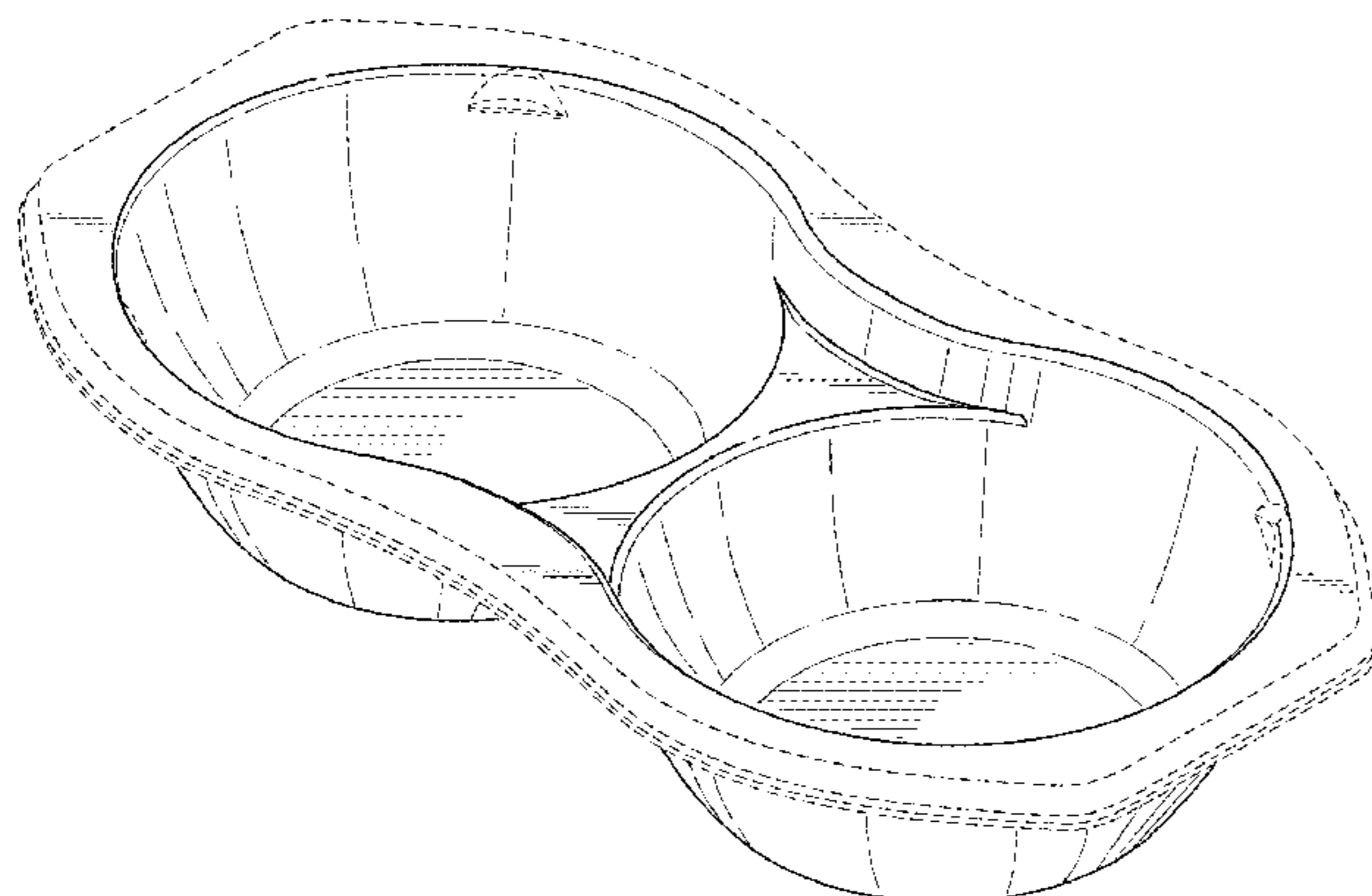
(57) **CLAIM**

The ornamental design for a package, as shown and
described.

DESCRIPTION

FIG. 1 is a front perspective view showing a first embodi-
ment of our new design of a package;
FIG. 2 is a top plan view thereof;
FIG. 3 is a front elevation view thereof, the rear elevation
view being identical thereto;
FIG. 4 is a side elevation view thereof, the other side
elevation view being identical thereto;
FIG. 5 is a bottom plan view thereof;
FIG. 6 is a front perspective view showing a second embodi-
ment of our new design of a package;
FIG. 7 is a top plan view thereof;
FIG. 8 is a front elevation view thereof, the rear elevation
view being identical thereto;
FIG. 9 is a side elevation view thereof, the other side
elevation view being identical thereto; and,
FIG. 10 is a bottom plan view thereof.
The broken lines shown illustrate portions of the package
and form no part of the claimed design.

1 Claim, 6 Drawing Sheets



(56)

References Cited

U.S. PATENT DOCUMENTS

D773,126	S *	11/2016	Scaba	D30/129
2003/0054076	A1	3/2003	Dibbs		
2005/0031814	A1	2/2005	Dawes		
2009/0199775	A1 *	8/2009	Shamoon	A01K 5/0114 119/61.56
2011/0177218	A1	7/2011	Visser		
2014/0272038	A1	9/2014	Mathews		
2017/0355500	A1	12/2017	Nambu		
2018/0132512	A1	5/2018	Tolnick		
2019/0248550	A1	8/2019	Huffman		
2020/0196646	A1	6/2020	Gildersleeve, III		
2021/0122509	A1 *	4/2021	Wiese	B65B 25/001
2021/0307367	A1	10/2021	Van Erp		
2022/0033120	A1	2/2022	Wiese		

OTHER PUBLICATIONS

Barrie, Why Putting Milk in Scrambled Eggs is a Huge Mistake, Mirror, accessed: Dec. 14, 2021 <https://www.mirror.co.uk/lifestyle/health/putting-milk-scrambled-eggs-huge-9536798>, 2018.

Chambers, How to Make Copycat Starbucks Sous Vide Egg White Bites in Your Pressure Cooker, Mealthy, accessed: Dec. 14, 2021, <https://mealthy.com/cook-smarter/how-to-make-copycat-starbucks-sous-vide-egg-white-bites-in-your-pressure-cooker>, 2018.

Leah, Sous Vide Egg Bites—Copycat Starbucks Recipe, Beyer Beware, accessed: Dec. 14, 2021 <https://www.beyerbeware.net/2017/09/sous-vide-egg-bites-copycat-recipe.html>, 2017.

Liss, Myo Non-Stick Vegetable Spray, Budget101, accessed: Dec. 14, 2021 <https://www.budget101.com/recipes/1529-myo-non-stick-vegetable-spray/>, 2012.

Mimi, Conversion Charts, Indulge with Mimi, captured: Feb. 16, 2017, <<https://web.archive.org/web/20170216154851/https://www.indulgewithmimi.com/resources/>>, 2017.

Spyrou, Costco Has Their Own Version of Egg Bites, And They're Super Cheap, Foodbeast, accessed: Dec. 14, 2021 <<https://www.foodbeast.com/news/costco-egg-bites/>>, 2018.

Traditional Oven, Tapioca flour conversion, accessed: Mar. 17, 2022, <<https://www.traditionaloven.com/culinary-arts/flours/tapioca-flour/convert-us-measuring-cup-to-gram-g-gof-tapioca-flour.html>>, 2022.

* cited by examiner

FIG. 1

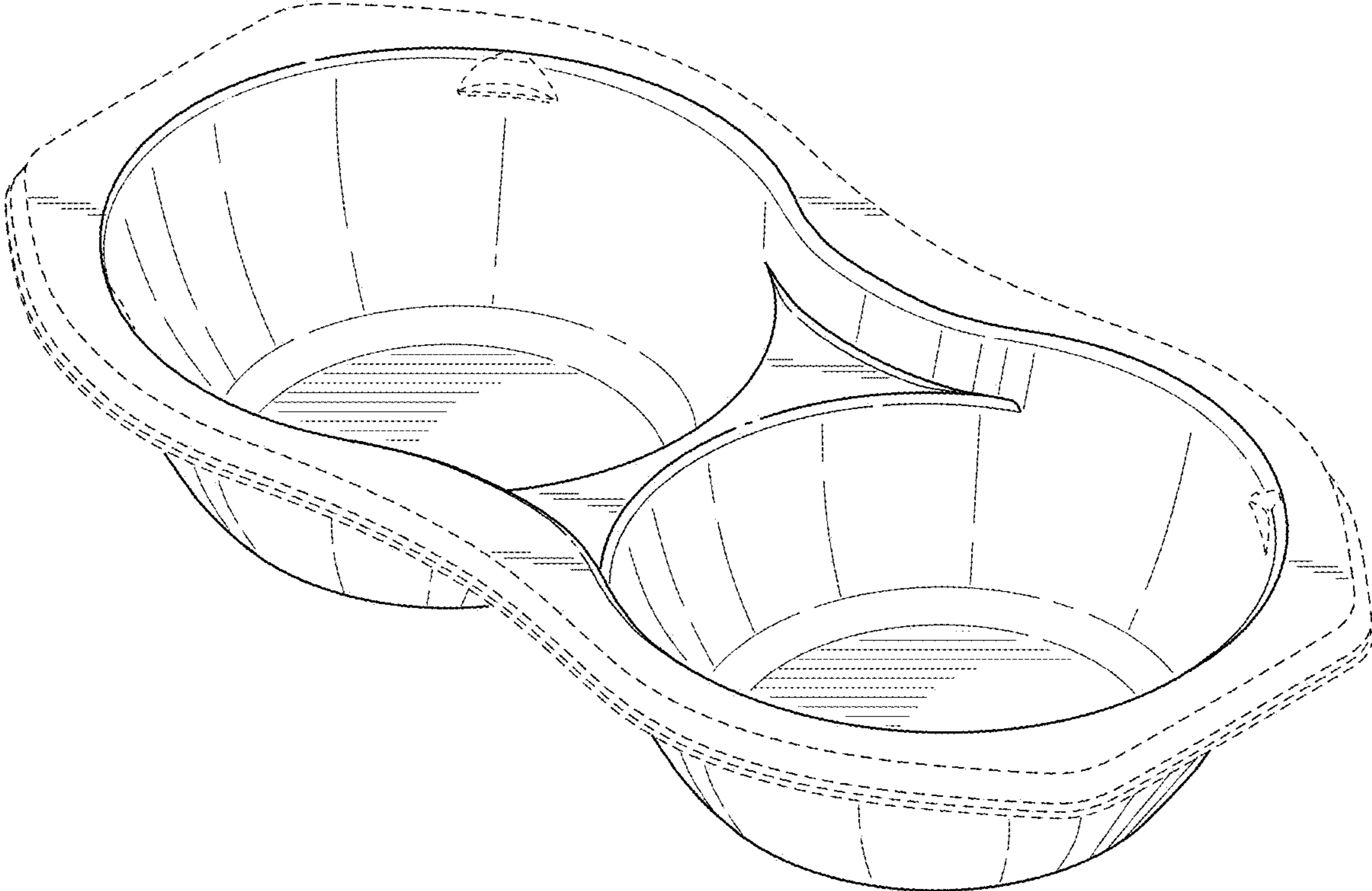


FIG. 2

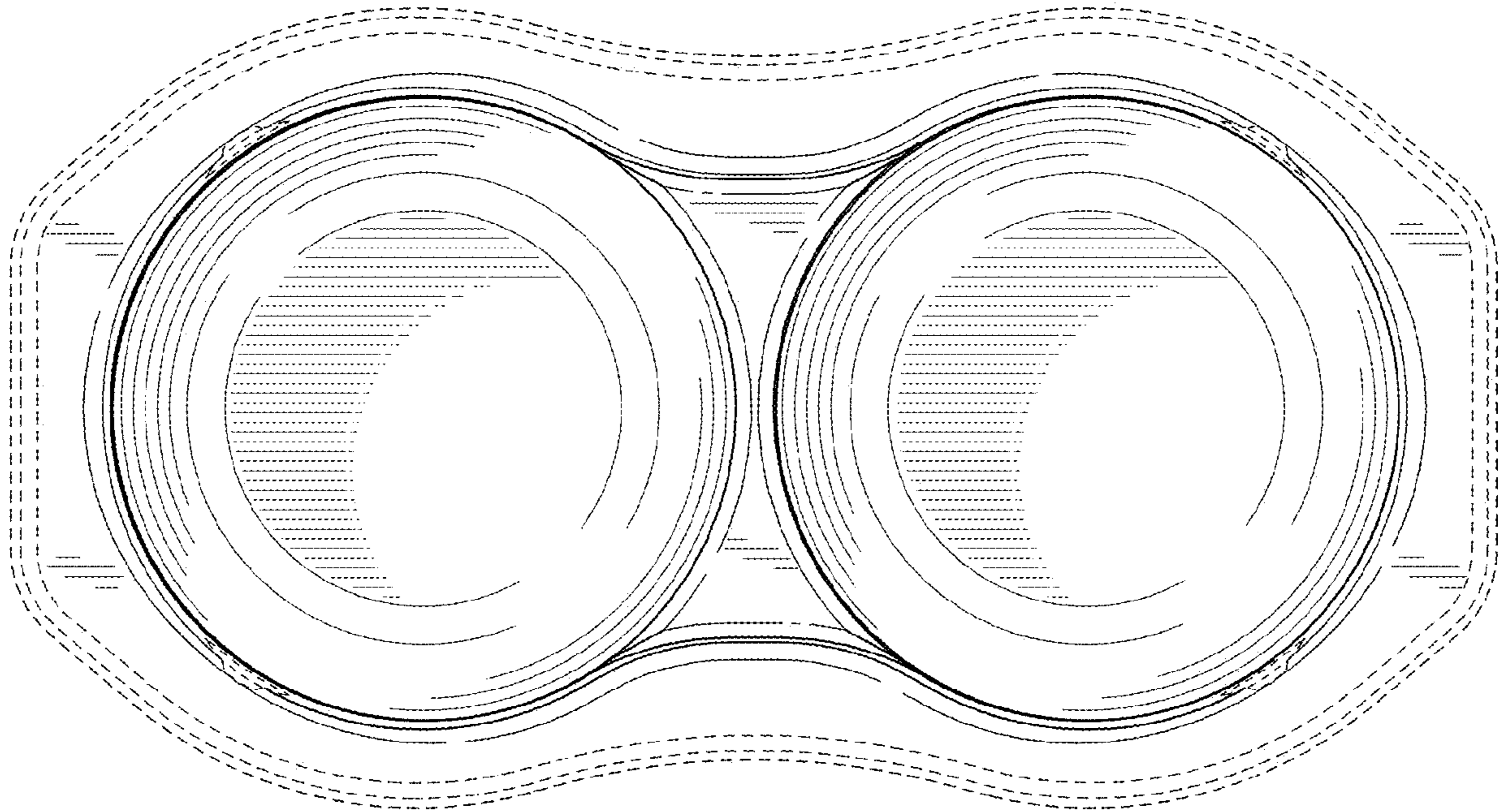


FIG. 3

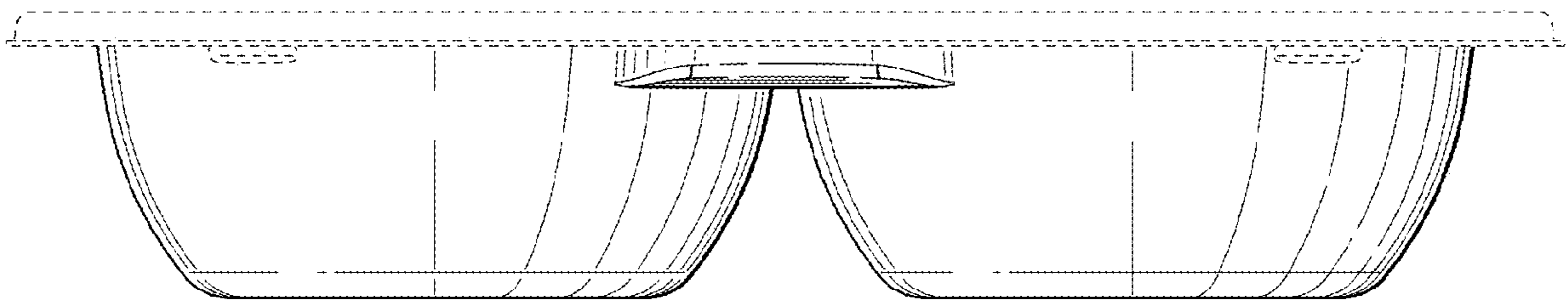


FIG. 4

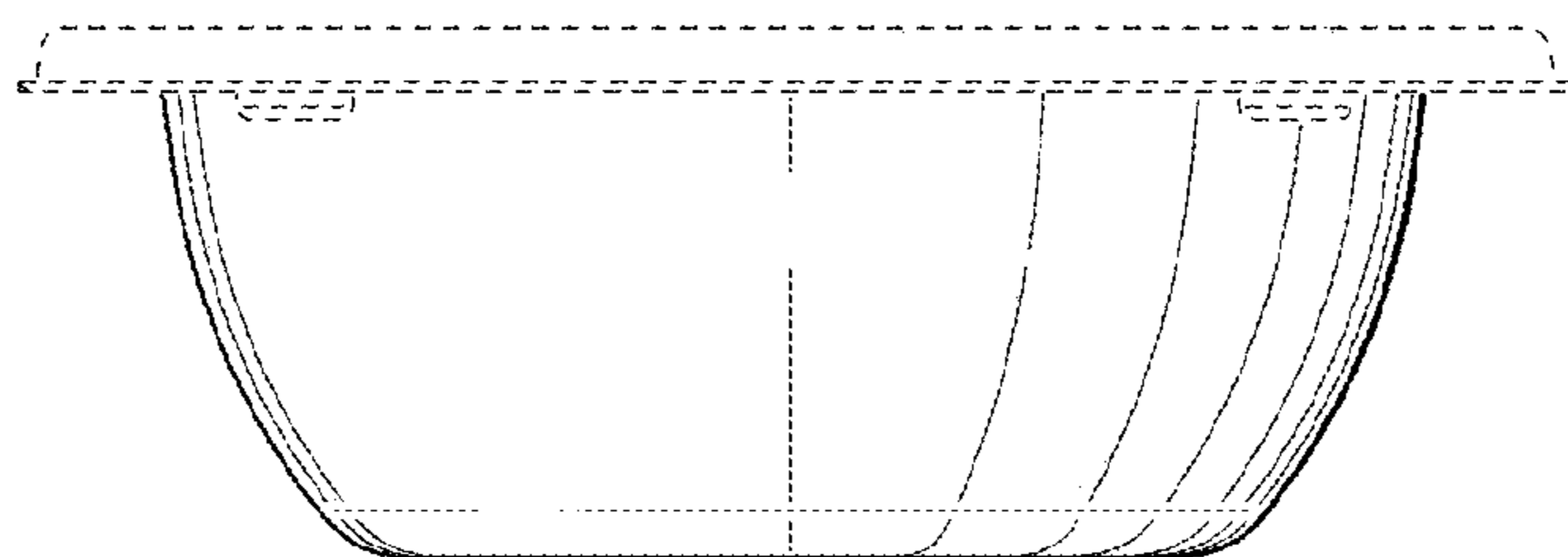


FIG. 5

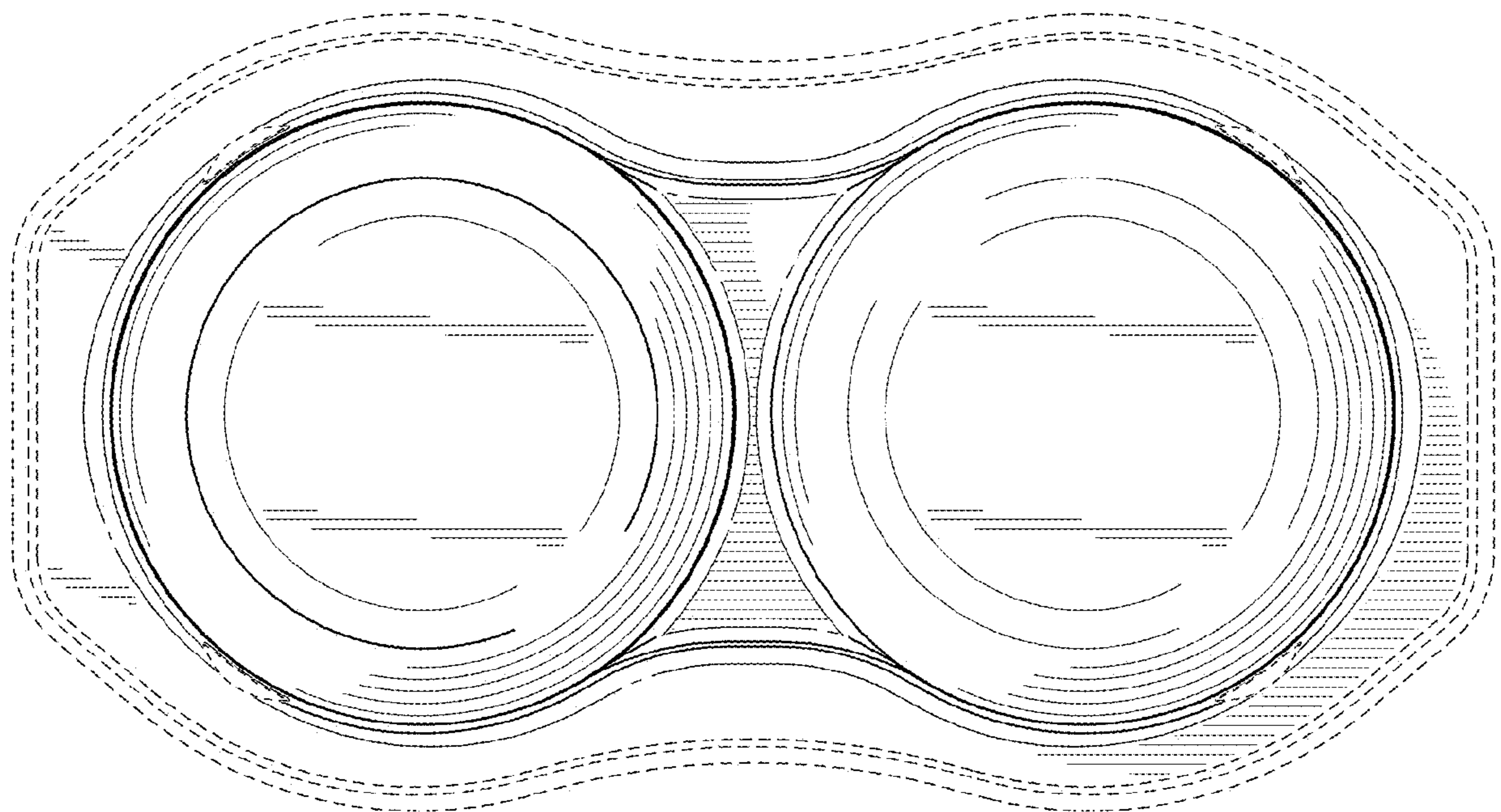


FIG. 6

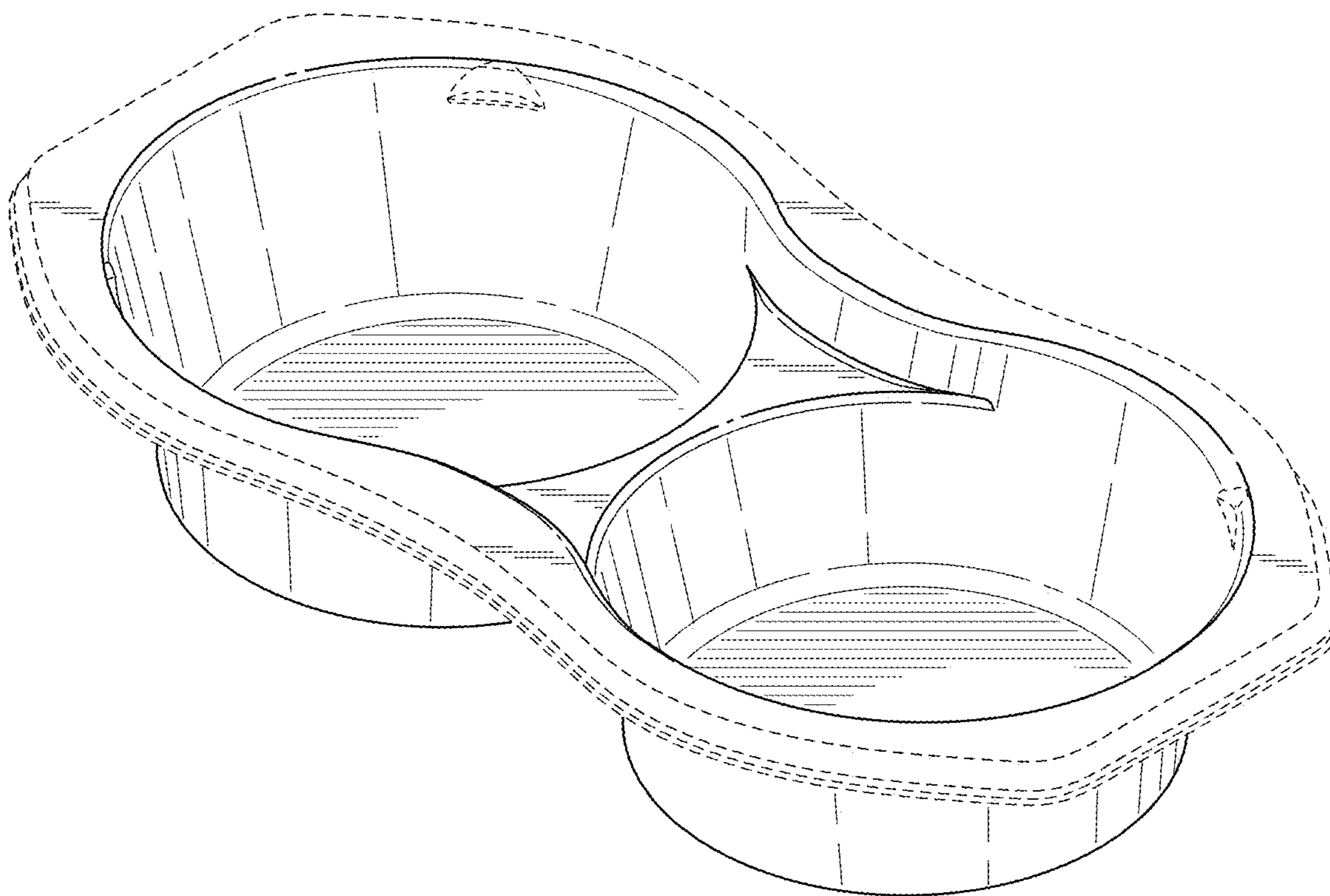


FIG. 7

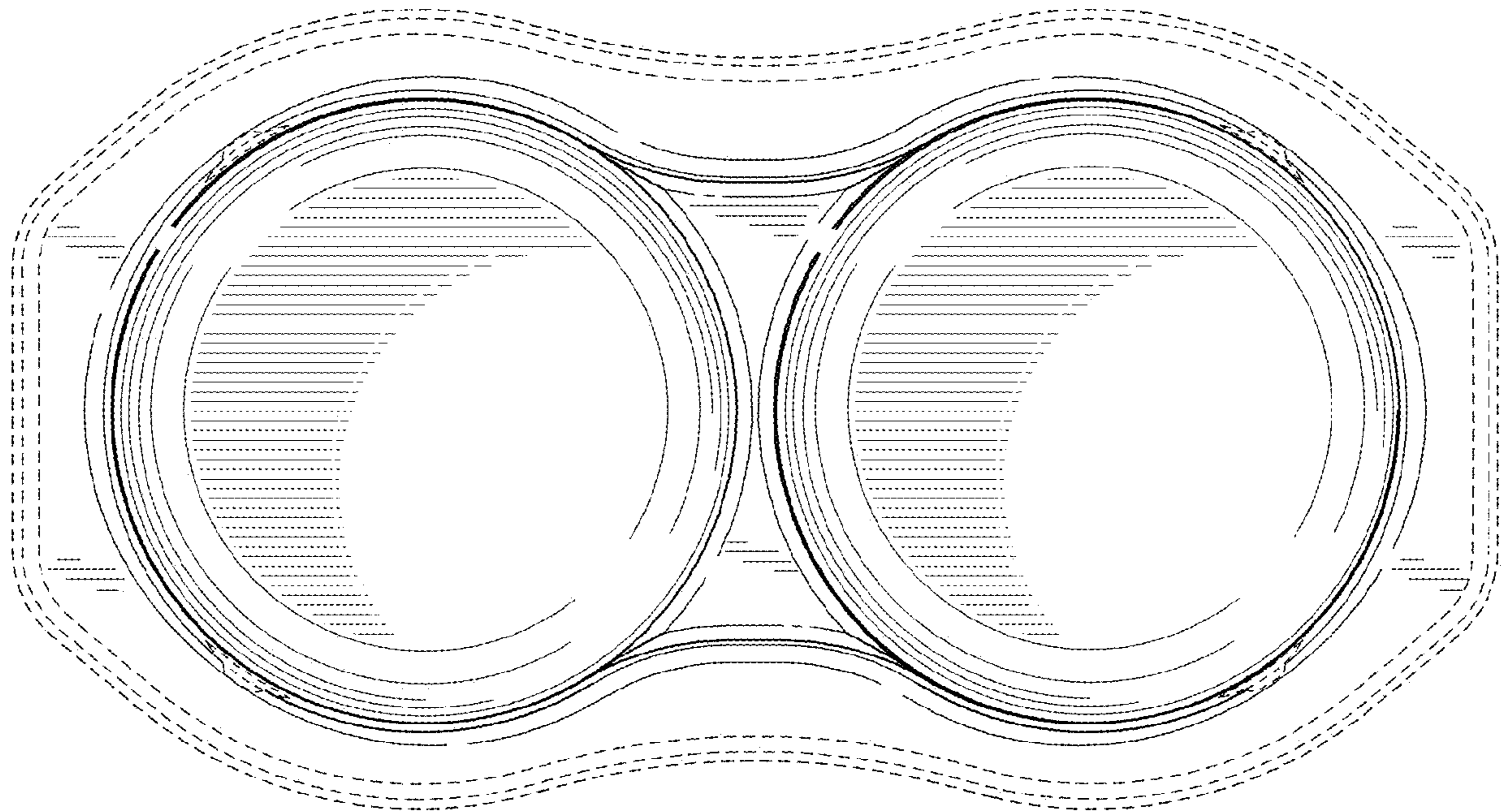


FIG. 8

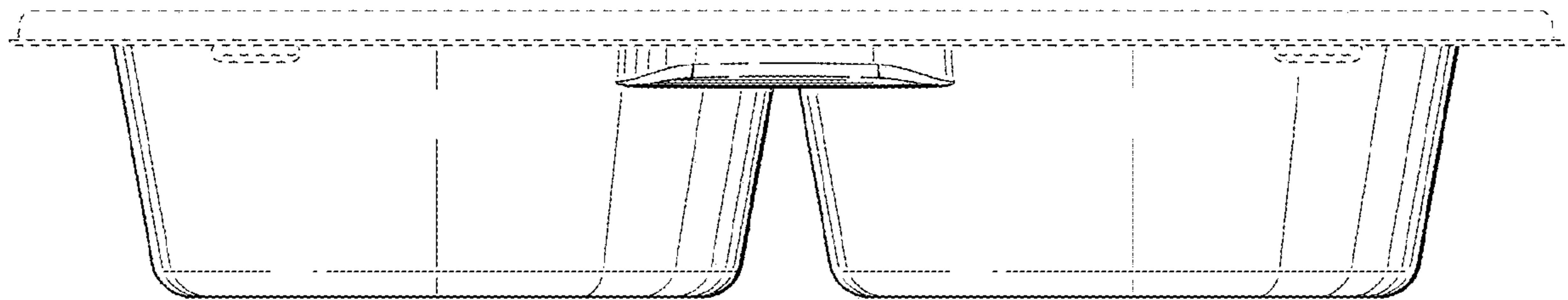


FIG. 9

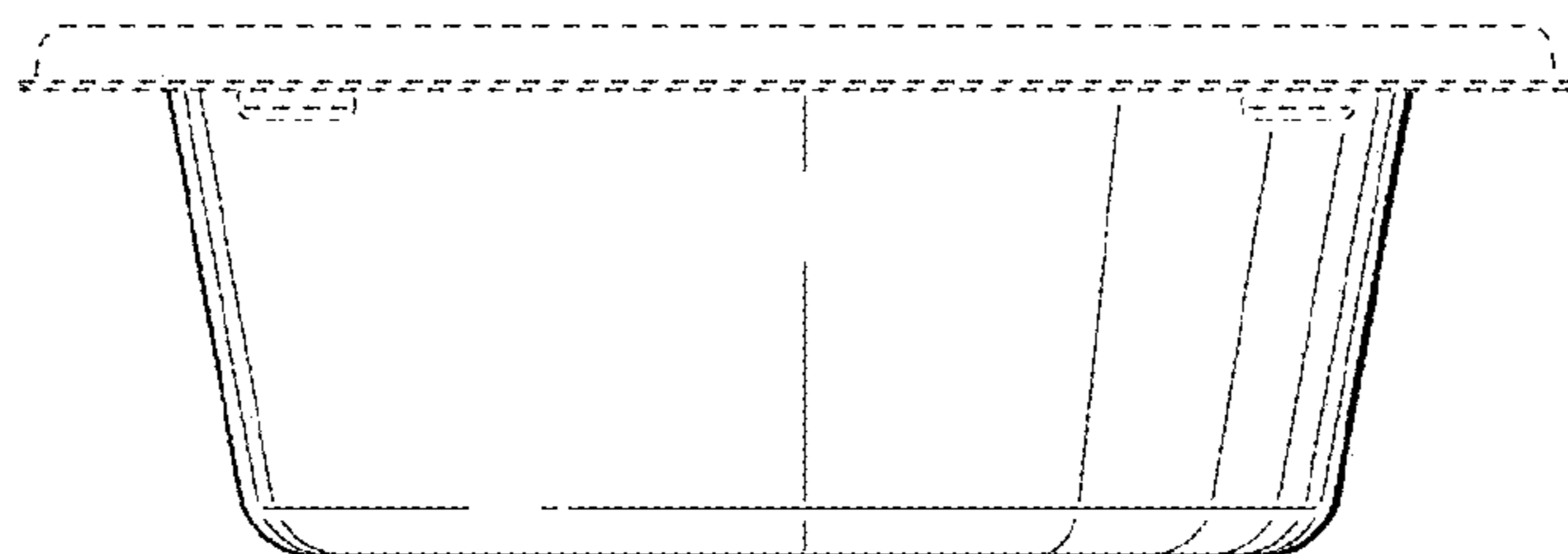


FIG. 10

