



US00D962077S

(12) **United States Design Patent** (10) **Patent No.:** **US D962,077 S**
Warner (45) **Date of Patent:** **** Aug. 30, 2022**

(54) **DISPENSER POUCH**

2/22; A61L 2/26; A47K 5/12; A47K 5/1217; A45F 5/00; A45F 5/122

(71) Applicant: **1TOUCH Holdings Inc**, Hartford, CT (US)

See application file for complete search history.

(72) Inventor: **Jim Warner**, Hartford, CT (US)

(56) **References Cited**

(73) Assignee: **1TOUCH HOLDINGS INC**, Hartford, CT (US)

U.S. PATENT DOCUMENTS

(**) Term: **15 Years**

(21) Appl. No.: **29/840,381**

(22) Filed: **May 27, 2022**

D336,034 S	6/1993	Rebilas	
D580,715 S	11/2008	Finell	
D610,022 S	2/2010	Kanfer et al.	
D615,420 S	5/2010	Joo et al.	
D657,259 S *	4/2012	Garneau	D9/702
D742,248 S *	11/2015	Burton	D9/710
D819,452 S *	6/2018	Chang	D9/707
D843,845 S *	3/2019	Sutherland	D9/695
D865,535 S *	11/2019	Nagata	D9/707
D929,579 S *	8/2021	Kjar	D24/128
D934,695 S	11/2021	Johnson	
11,344,163 B2 *	5/2022	Matthews	A47K 5/1201

Related U.S. Application Data

(62) Division of application No. 29/747,009, filed on Aug. 19, 2020, now Pat. No. Des. 958,672.

(51) **LOC (13) Cl.** **09-08**

(52) **U.S. Cl.**
USPC **D9/708**

(58) **Field of Classification Search**
USPC D9/702-714, 443, 447, 499, 516-517, D9/523, 524, 526, 528, 530, 719, 572, D9/520, 521, 529; D24/118, 207, 108, D24/169, 216, 117, 115; 383/6, 9, 22, 383/96, 61.1, 80-81, 104, 901, 63, 203, 383/107, 119-120, 123, 61.2, 44; 220/675, 495.03, 200, 288; 215/381-385, 215/400, 328, 316, 200, 217; 206/484; D3/202, 203.1, 203.2; 428/34.3, 35.2; 222/92, 215, 95, 107; 604/408, 403, 415
CPC B65D 35/00; B65D 35/08; B65D 11/00; B65D 11/04; B65D 1/00; B65D 1/02; B65D 1/023; B65D 1/32; B65D 33/00; B65D 33/02; B65D 33/04; B65D 33/24; G01N 33/50; G01N 33/48; G01N 33/5005; A61L 2/10; A61L 2/24; A61L

* cited by examiner

Primary Examiner — Abraham Bahta

(74) *Attorney, Agent, or Firm* — Cantor Colburn LLP

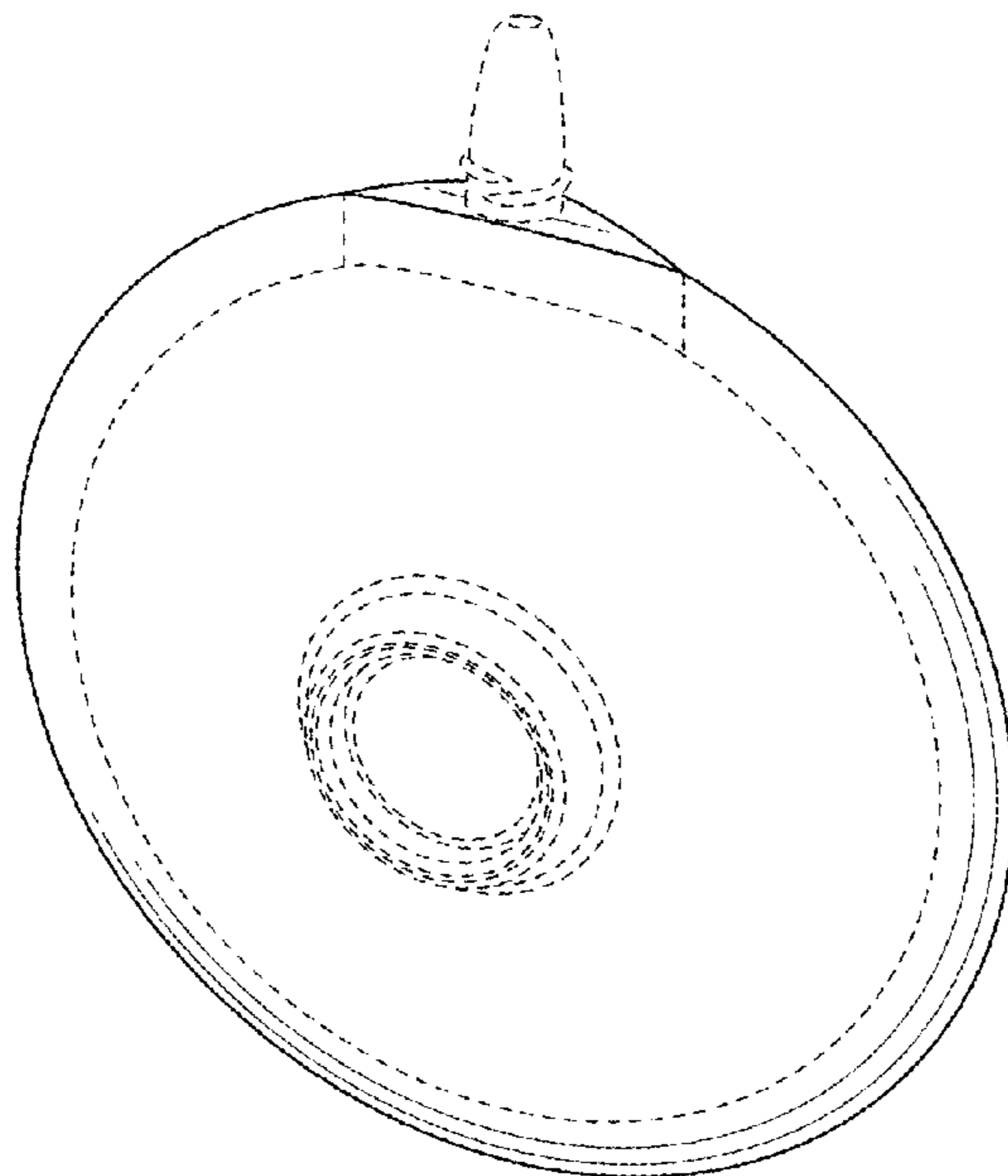
(57) **CLAIM**

The ornamental design for a dispenser pouch, as shown and described.

DESCRIPTION

FIG. 1 is a right front top perspective view of an embodiment of the dispenser pouch showing my new design; FIG. 2 is a front elevational view thereof; FIG. 3 is a rear elevational view thereof; FIG. 4 is a left side elevational view thereof; FIG. 5 is a right side elevational view thereof; FIG. 6 is a top plan view thereof; and, FIG. 7 is a bottom plan view thereof. The broken lines shown represent unclaimed subject matter and form no part of the claimed design.

1 Claim, 3 Drawing Sheets



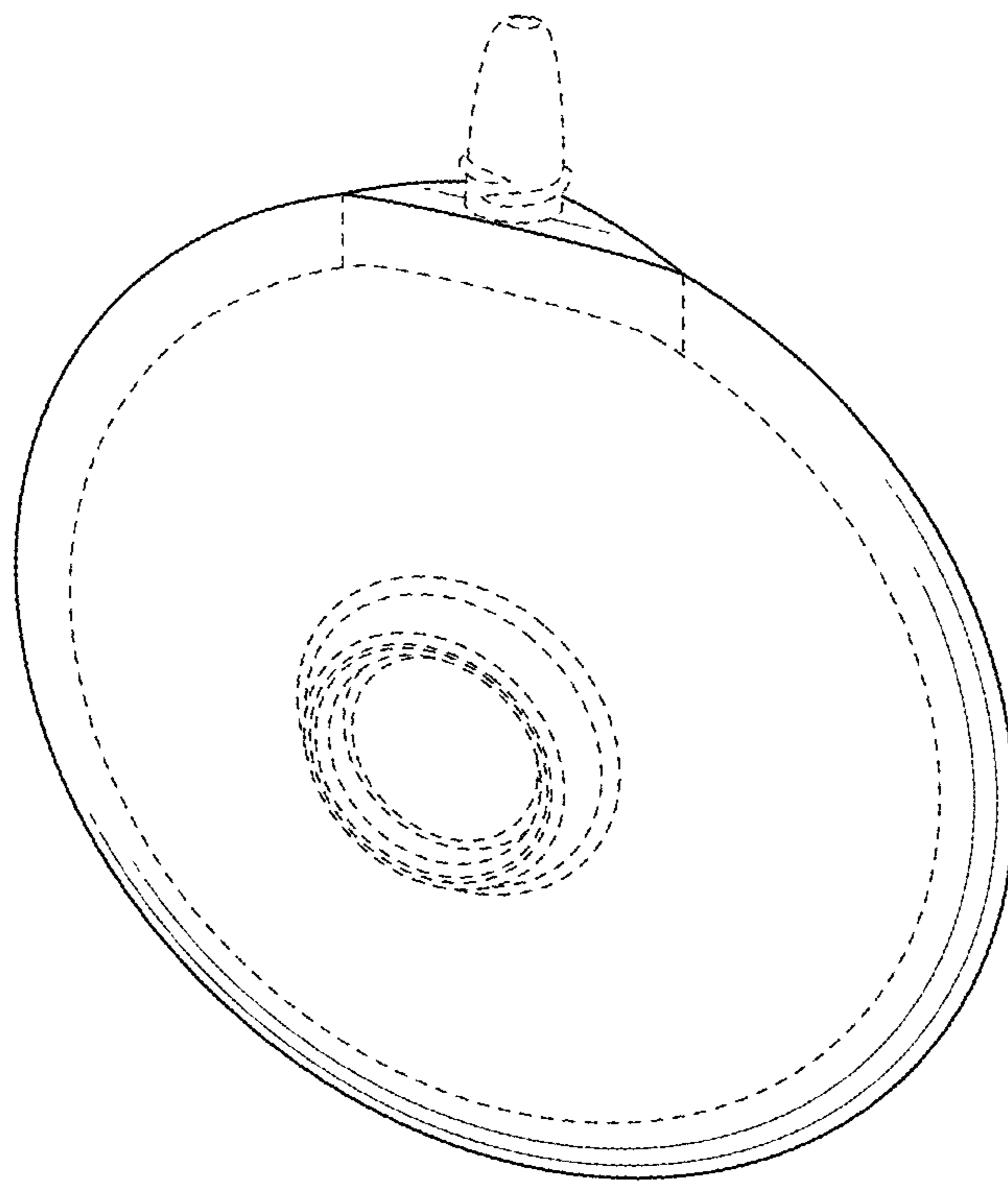


FIG. 1

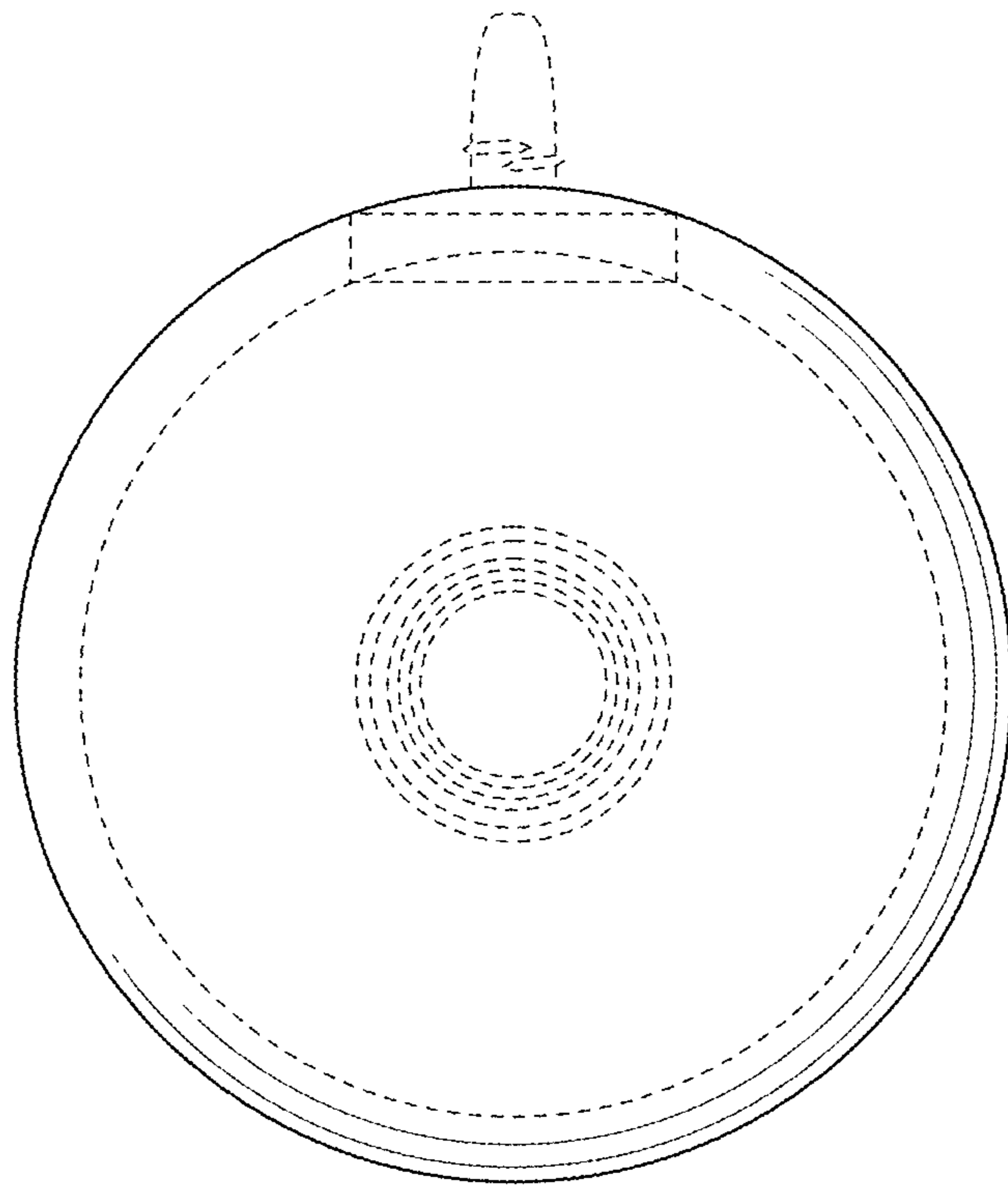


FIG. 2

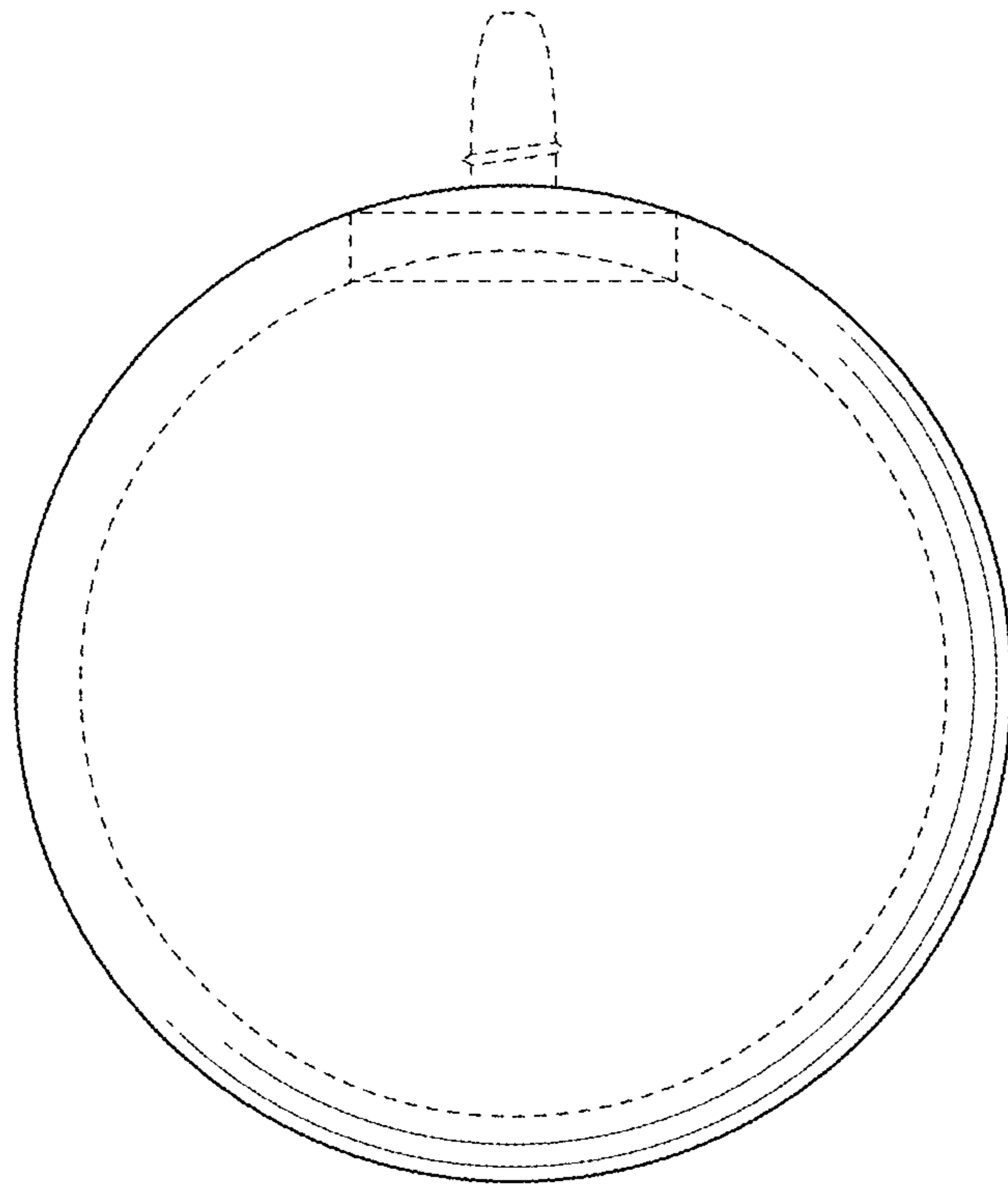


FIG. 3

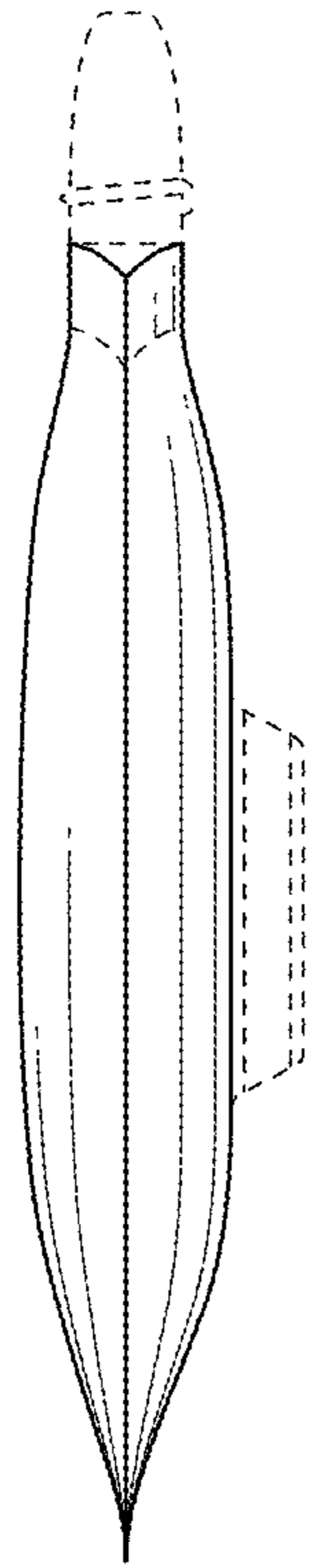


FIG. 4

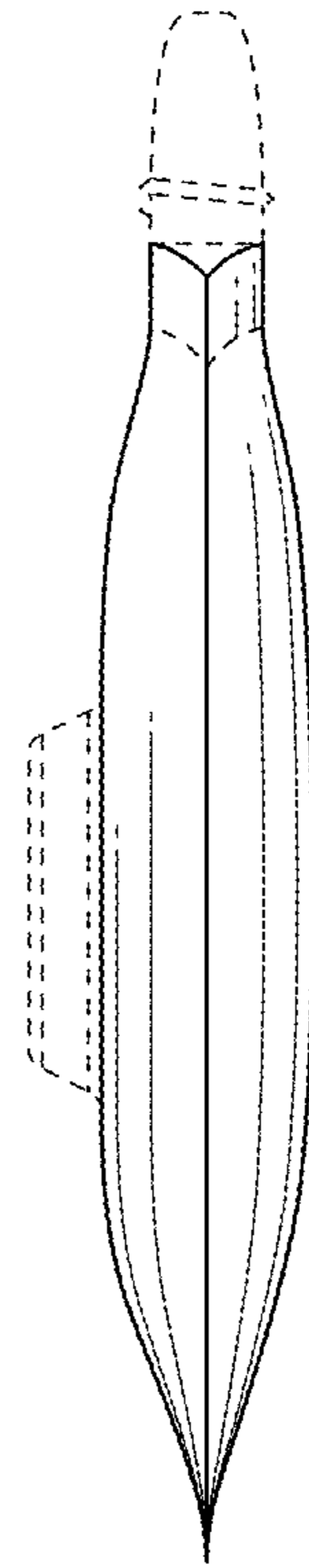


FIG. 5

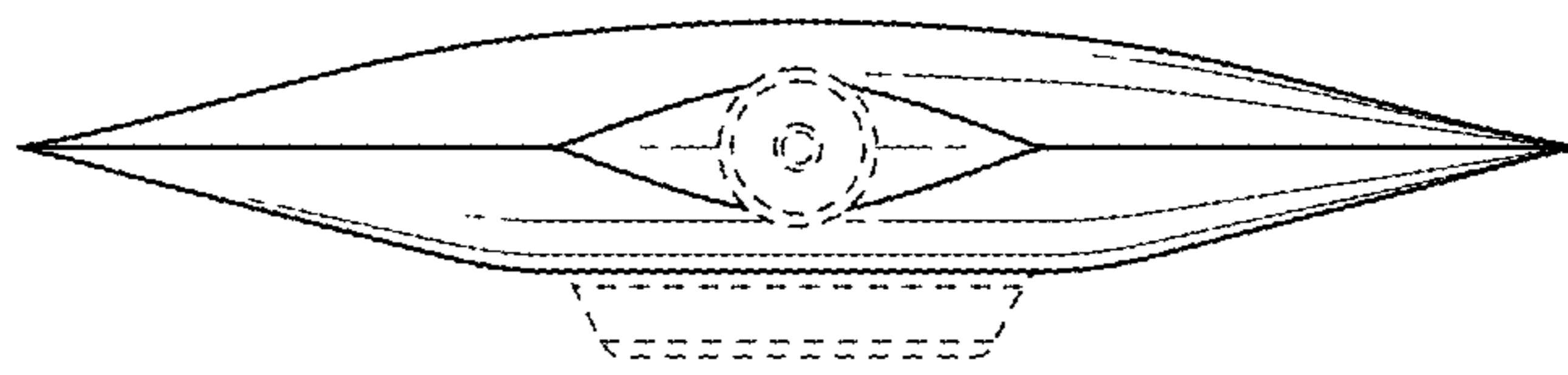


FIG. 6

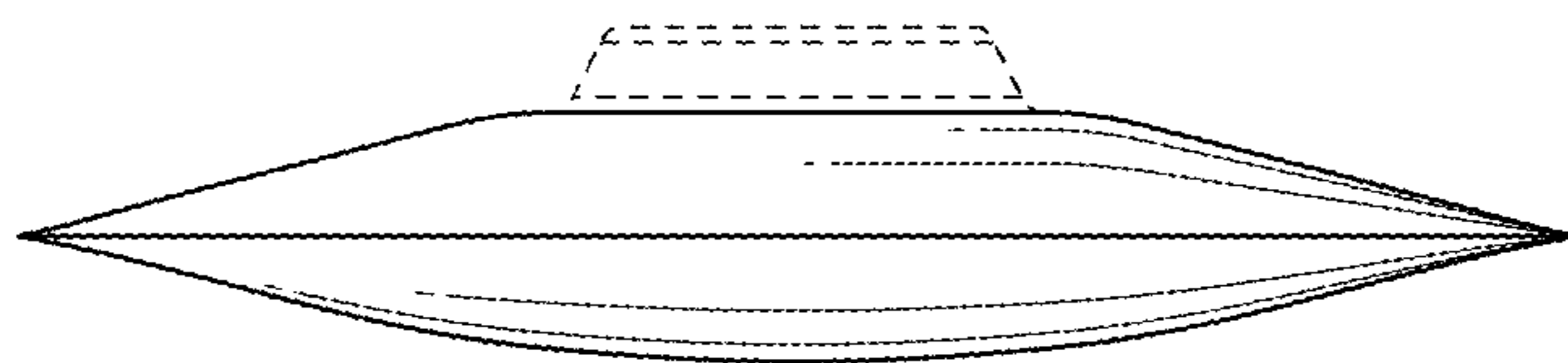


FIG. 7