

US00D962076S

(12) **United States Design Patent** (10) **Patent No.:** **US D962,076 S**
Eisen (45) **Date of Patent:** **** Aug. 30, 2022**

(54) **PERFUME BOTTLE**

(56) **References Cited**

(71) Applicant: **ALFRED DUNHILL LIMITED**,
London (GB)

U.S. PATENT DOCUMENTS

(72) Inventor: **Mark Eisen**, Groot Drakenstein (ZA)

4,290,466 A *	9/1981	Villa	B65D 33/00 206/517
D763,696 S *	8/2016	Eisen	D9/569
D799,970 S *	10/2017	Steel	D9/569
D866,338 S *	11/2019	Eisen	D9/503
D937,088 S *	11/2021	Bravman	D9/503
D937,089 S *	11/2021	Bravman	D9/503

(**) Term: **15 Years**

(21) Appl. No.: **35/511,889**

* cited by examiner

(22) Filed: **Nov. 18, 2020**

Primary Examiner — Michael A. Pratt

(80) **Hague Agreement Data**

Int. Filing Date: **Nov. 18, 2020**

Int. Reg. No.: **DM/211366**

Int. Reg. Date: **Nov. 18, 2020**

Int. Reg. Pub. Date: **May 21, 2021**

(57) **CLAIM**

The ornamental design for a perfume bottle, as shown and described.

(51) **LOC (13) Cl.** **09-01**

(52) **U.S. Cl.**
USPC **D9/575**

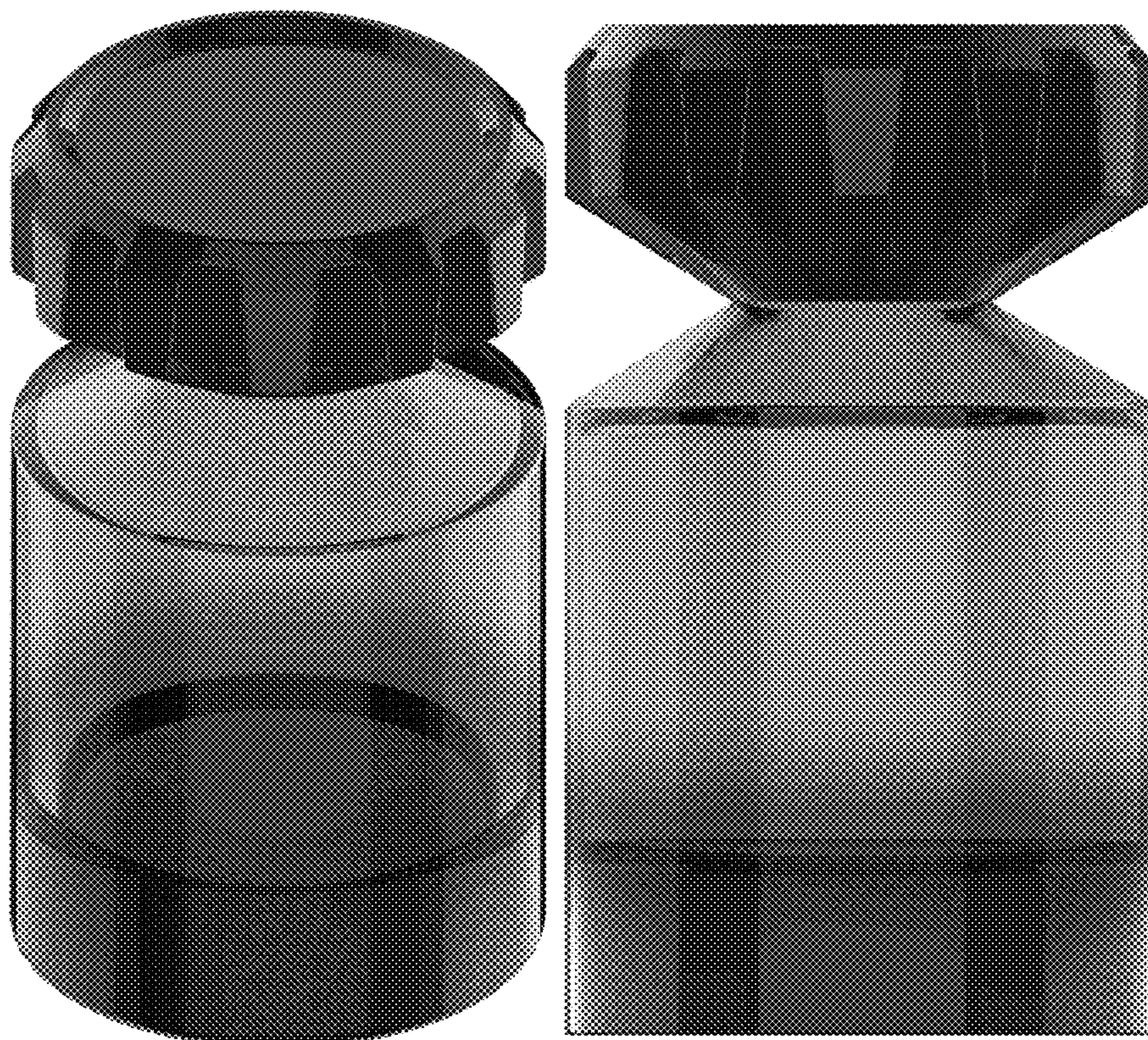
DESCRIPTION

(58) **Field of Classification Search**
USPC D9/771, 774, 779-780, 669, 516,
D9/529-530, 537-546, 556, 559, 569,
D9/574-575, 414, 430, 443, 453;
D28/76, 85, 87, 89
CPC B65D 1/0207; B65D 1/023; B65D 1/0223;
B65D 23/00; B65D 1/0261; B65D 85/82;
B65D 1/0246

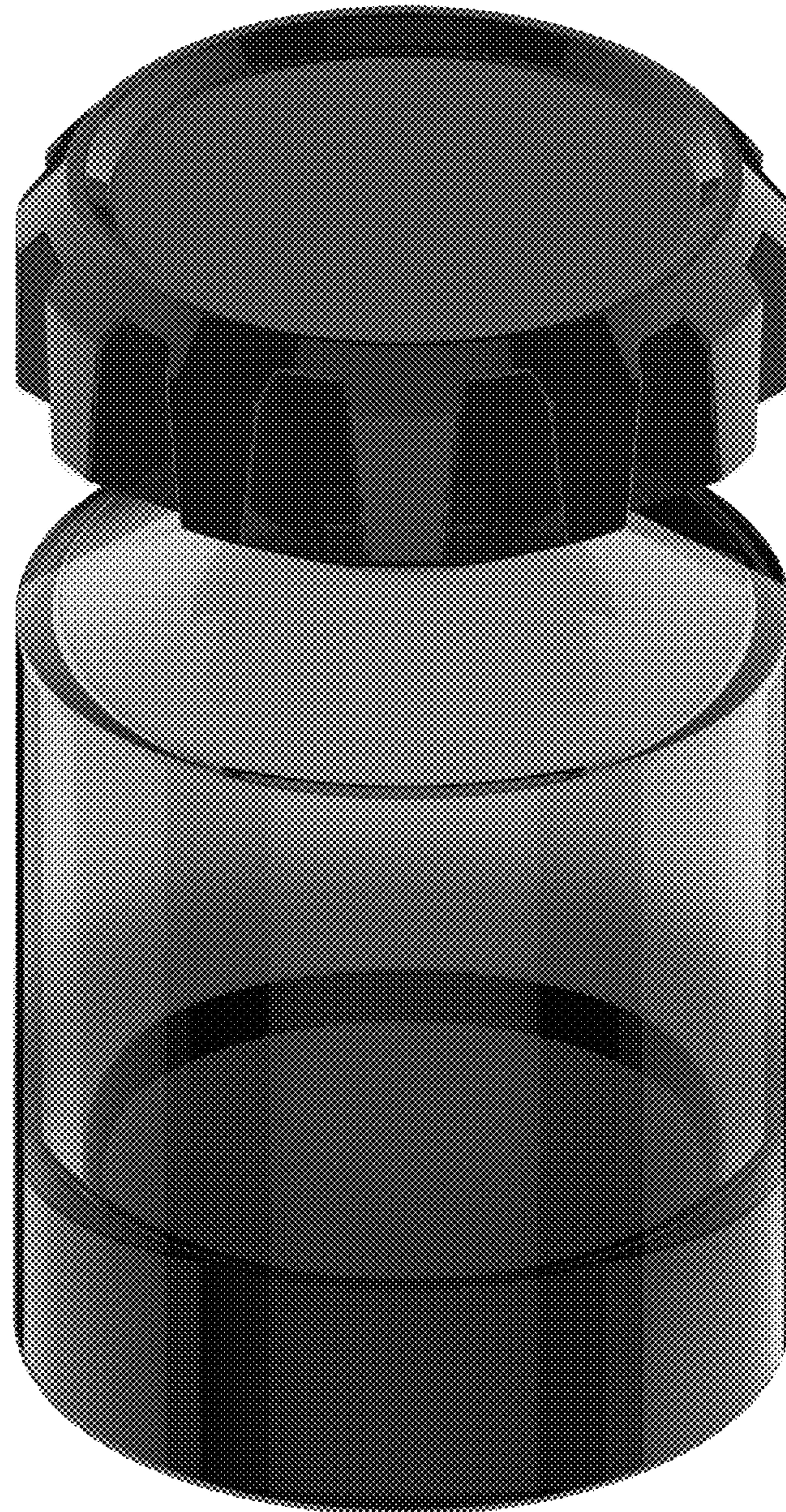
- 1. Perfume bottle
- 2. Perfume bottle
- 1.1 : Perspective
- 1.2 : Front, the back, left and right views have the same appearance
- 1.3 : Top
- 1.4 : Bottom
- 2.1 : Perspective
- 2.2 : Front, the back, left and right views have the same appearance
- 2.3 : Top
- 2.4 : Bottom

See application file for complete search history.

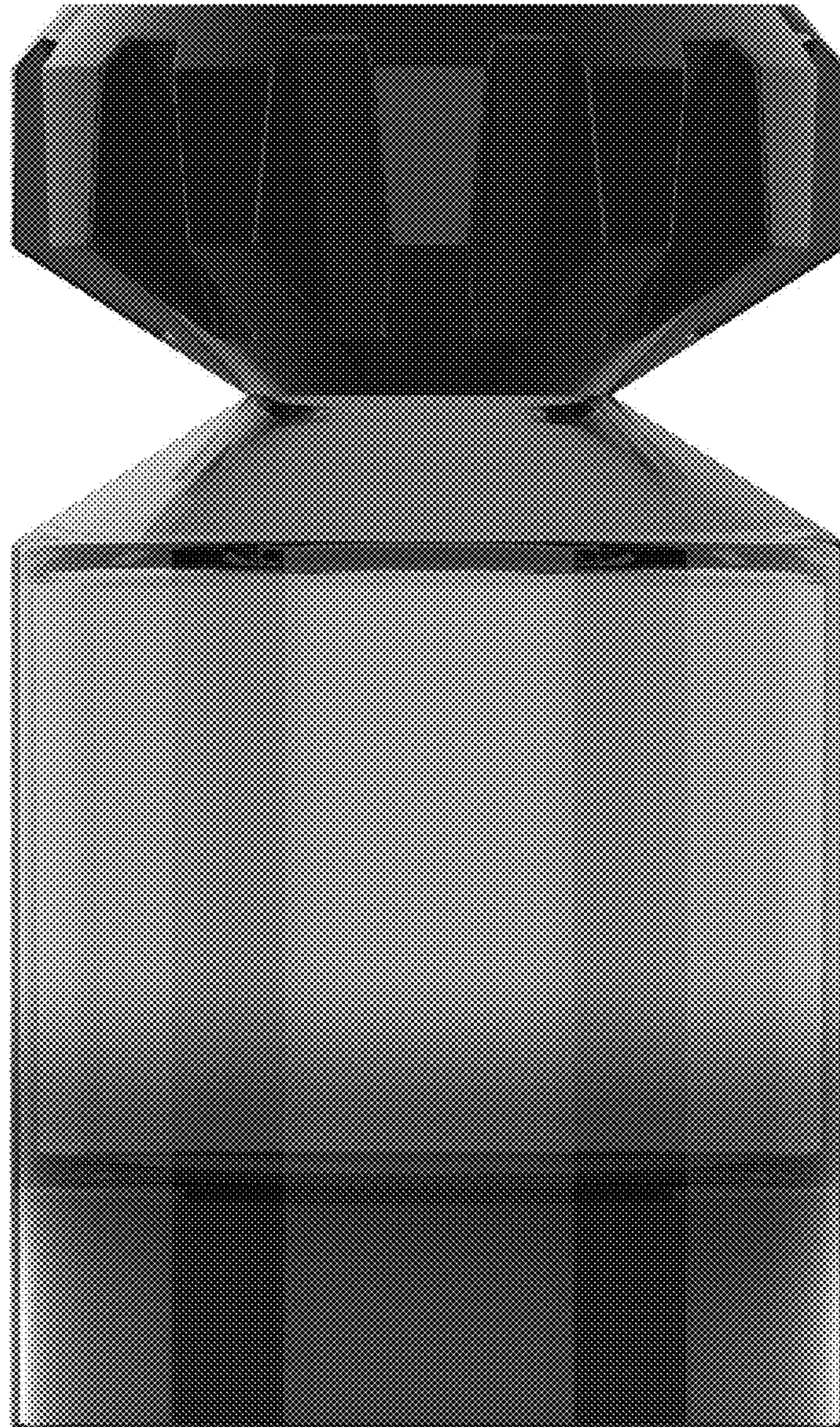
1 Claim, 8 Drawing Sheets



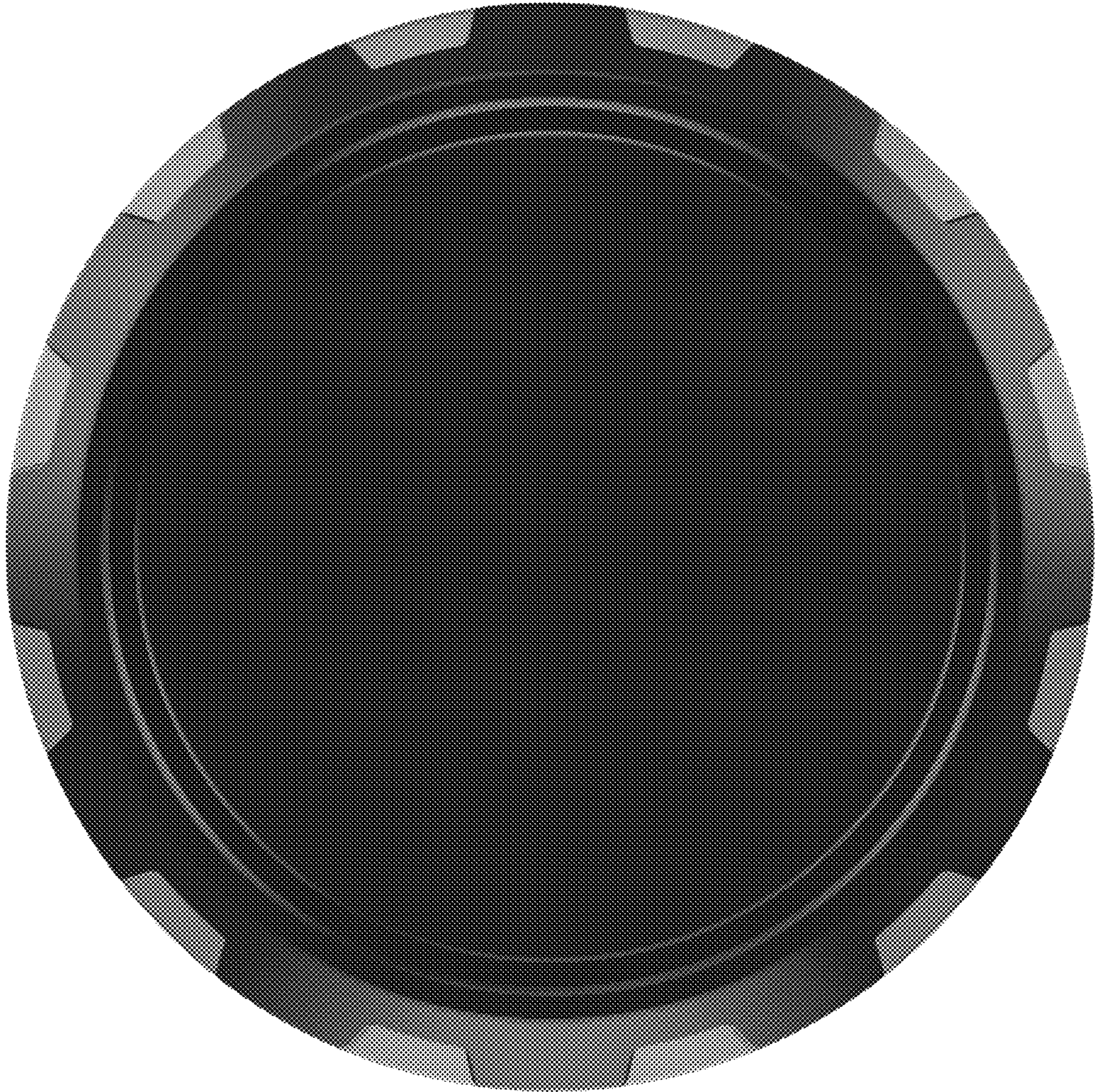
1.1



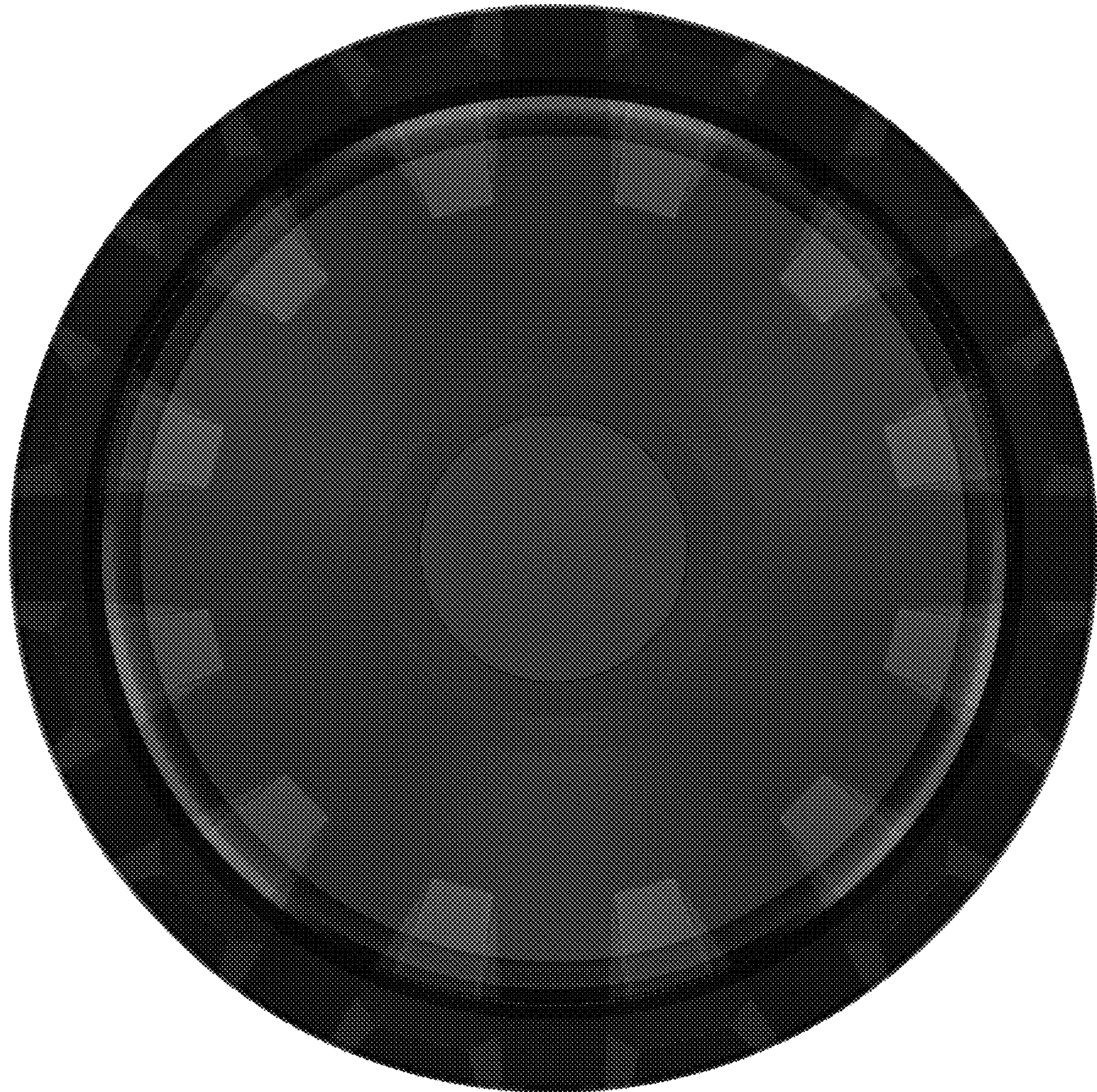
1.2



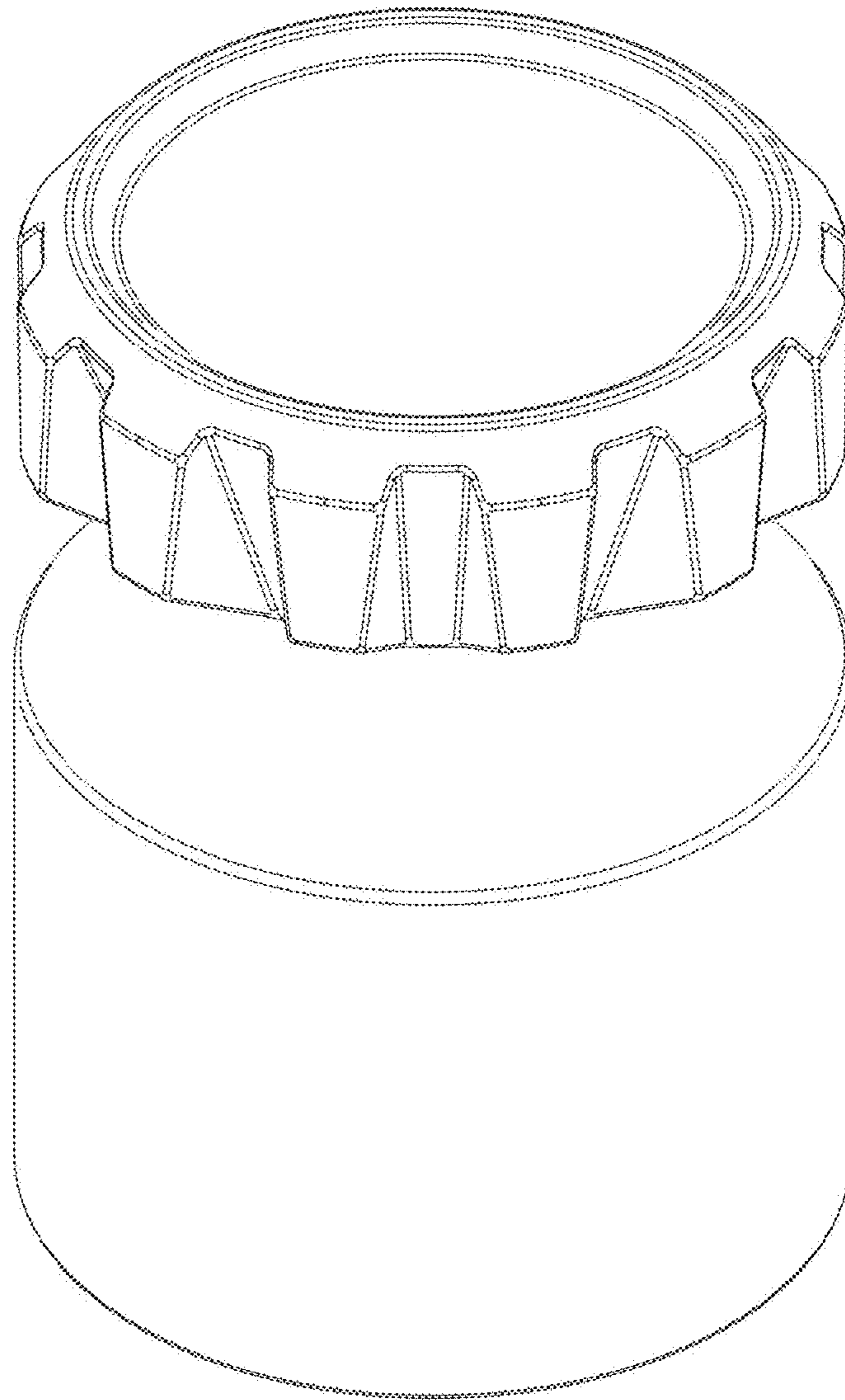
13



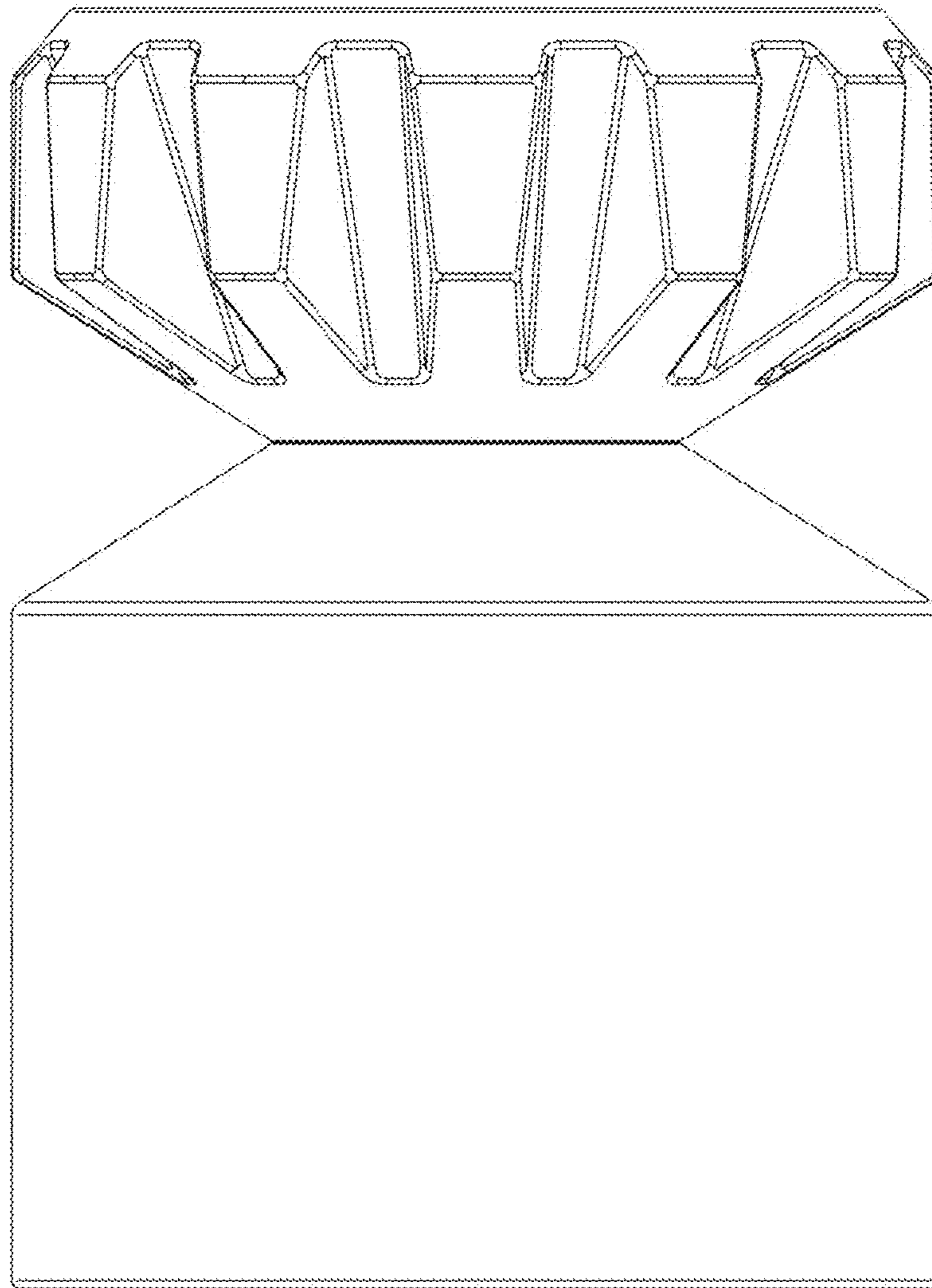
1.4

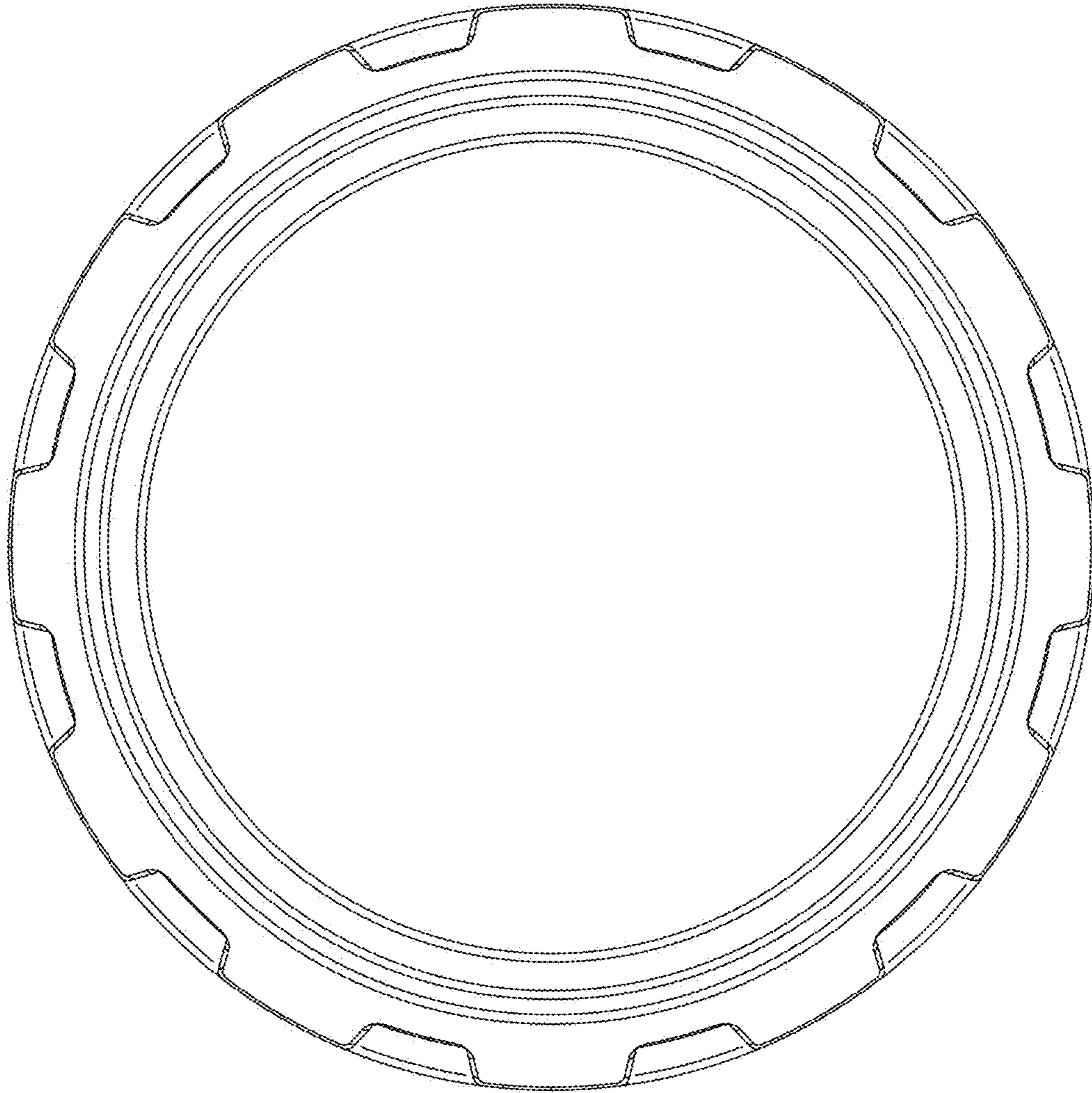


2.1

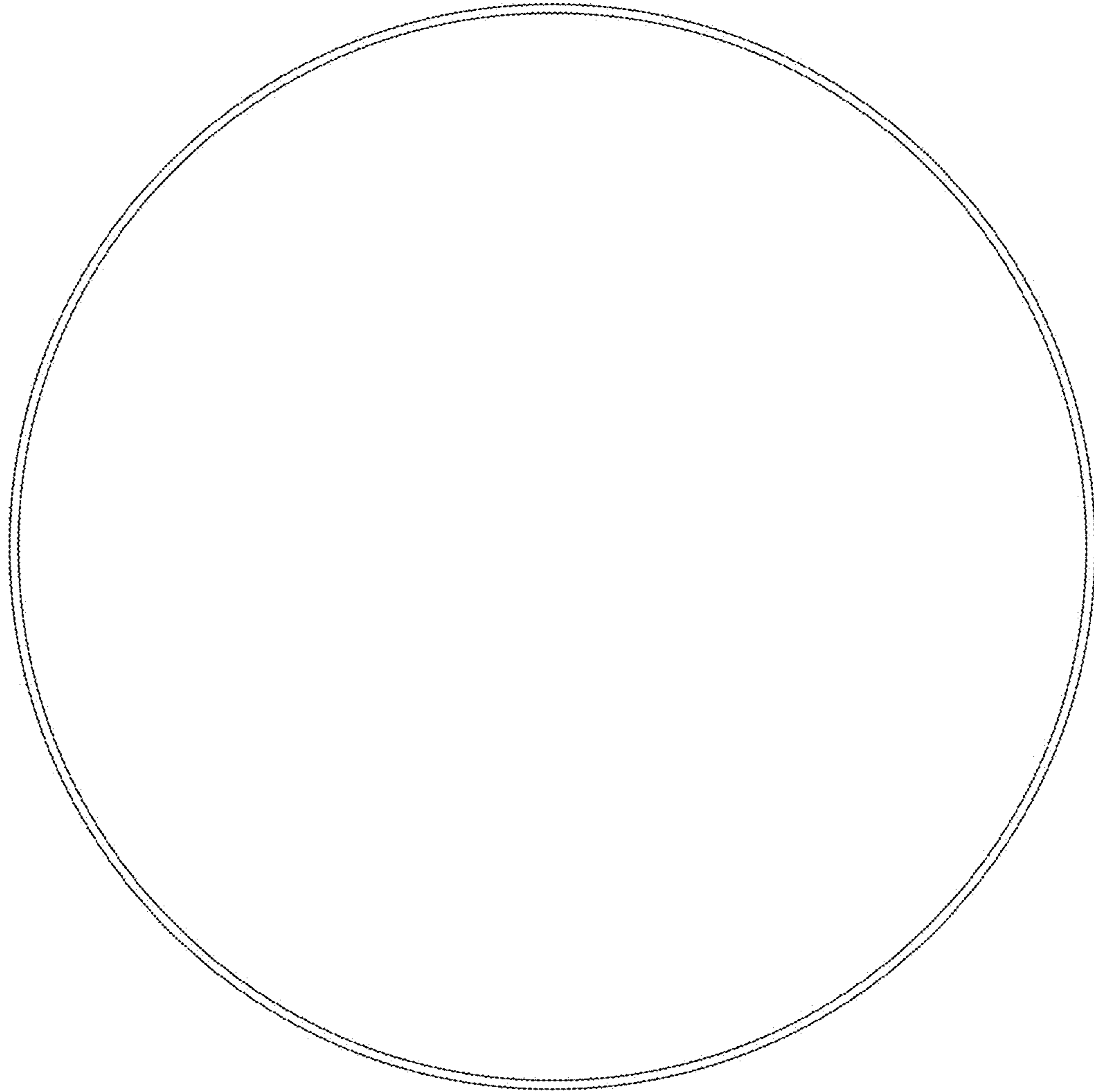


2.2





2.3



2.4