

US00D962073S

(12) **United States Design Patent** (10) **Patent No.:** **US D962,073 S**
Pasziewicz (45) **Date of Patent:** **** Aug. 30, 2022**

(54) **FLUID CONTAINER**
(71) Applicant: **Keith N. Pasziewicz**, House Springs, MO (US)
(72) Inventor: **Keith N. Pasziewicz**, House Springs, MO (US)
(**) Term: **15 Years**
(21) Appl. No.: **29/757,905**
(22) Filed: **Nov. 10, 2020**
(51) **LOC (13) Cl.** **09-01**
(52) **U.S. Cl.**
USPC **D9/531**
(58) **Field of Classification Search**
USPC D9/434-435, 439, 447, 449, 450, 452, D9/454, 516, 520, 522-524, 528-531, D9/541-544, 549-551, 558-560, 563, D9/565-566, 571-575, 682, 686, 687, D9/693-694, 715, 719; D7/300, 300.1, D7/316, 317, 598; D23/211, 225; D24/107, 121-123, 216, 217, 219, D24/223-227
CPC ... B65D 1/00; B65D 1/02; B65D 1/12; B65D 1/18; B65D 1/20; B65D 1/0223; B65D 23/00; B65D 21/0237; B65D 2501/0009; B65D 2501/0081
See application file for complete search history.

4,859,423 A * 8/1989 Perlman B65D 85/30 206/214
D318,728 S * 7/1991 Braune D24/224
D325,638 S * 4/1992 Sloat D24/224
D329,094 S * 9/1992 Houman D24/217
D561,344 S * 2/2008 Kozak D24/216
D621,951 S * 8/2010 Bucholtz D24/224
D654,724 S * 2/2012 Lecoutre D6/682.3
D655,615 S * 3/2012 Servaire D9/559
D659,848 S * 5/2012 TerMaat D24/224
D842,116 S * 3/2019 Mellen D9/531
D881,410 S * 4/2020 Motadel D24/224
D903,898 S * 12/2020 Nagy D24/224
D914,501 S * 3/2021 Aboabdo D9/503
D915,891 S * 4/2021 Mellen D9/531
D944,650 S * 3/2022 Eggers D9/504
D948,743 S * 4/2022 Hunt D24/224

OTHER PUBLICATIONS

ZR BashingBead Lysis Tubes. Online, published date unknown. Retrieved on Apr. 12, 2022 from URL: <https://www.zymoresearch.com/collections/tissue-collection/products/zr-bashing-bead-lysis-tubes>.*

* cited by examiner

Primary Examiner — Omeed Agilee
(74) *Attorney, Agent, or Firm* — Charles McCloskey

(57) **CLAIM**

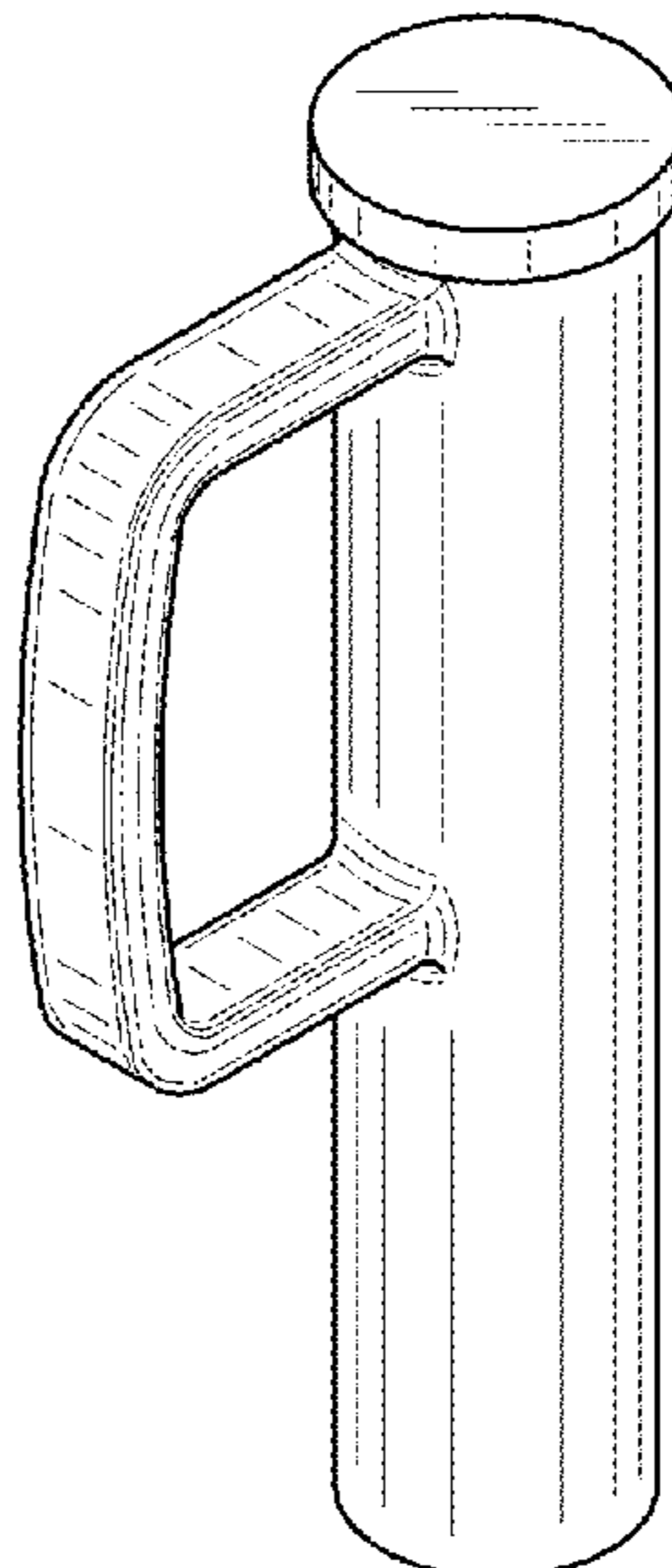
The ornamental design for a fluid container, as shown and described.

DESCRIPTION

FIG. 1 is a front view;
FIG. 2 is a back view;
FIG. 3 is a side view;
FIG. 4 is a side view;
FIG. 5 is a top view;
FIG. 6 is a bottom view; and,
FIG. 7 is a perspective view.

1 Claim, 2 Drawing Sheets

(56) **References Cited**
U.S. PATENT DOCUMENTS
D139,383 S * 11/1944 Lampl D3/300
D227,180 S * 6/1973 Brodsky D24/223
D232,355 S * 8/1974 Wiedmann D9/503
D256,053 S * 7/1980 Steigerwald D9/556
D259,440 S * 6/1981 Martin D24/224
4,832,917 A * 5/1989 Elliott G01T 7/02 422/558



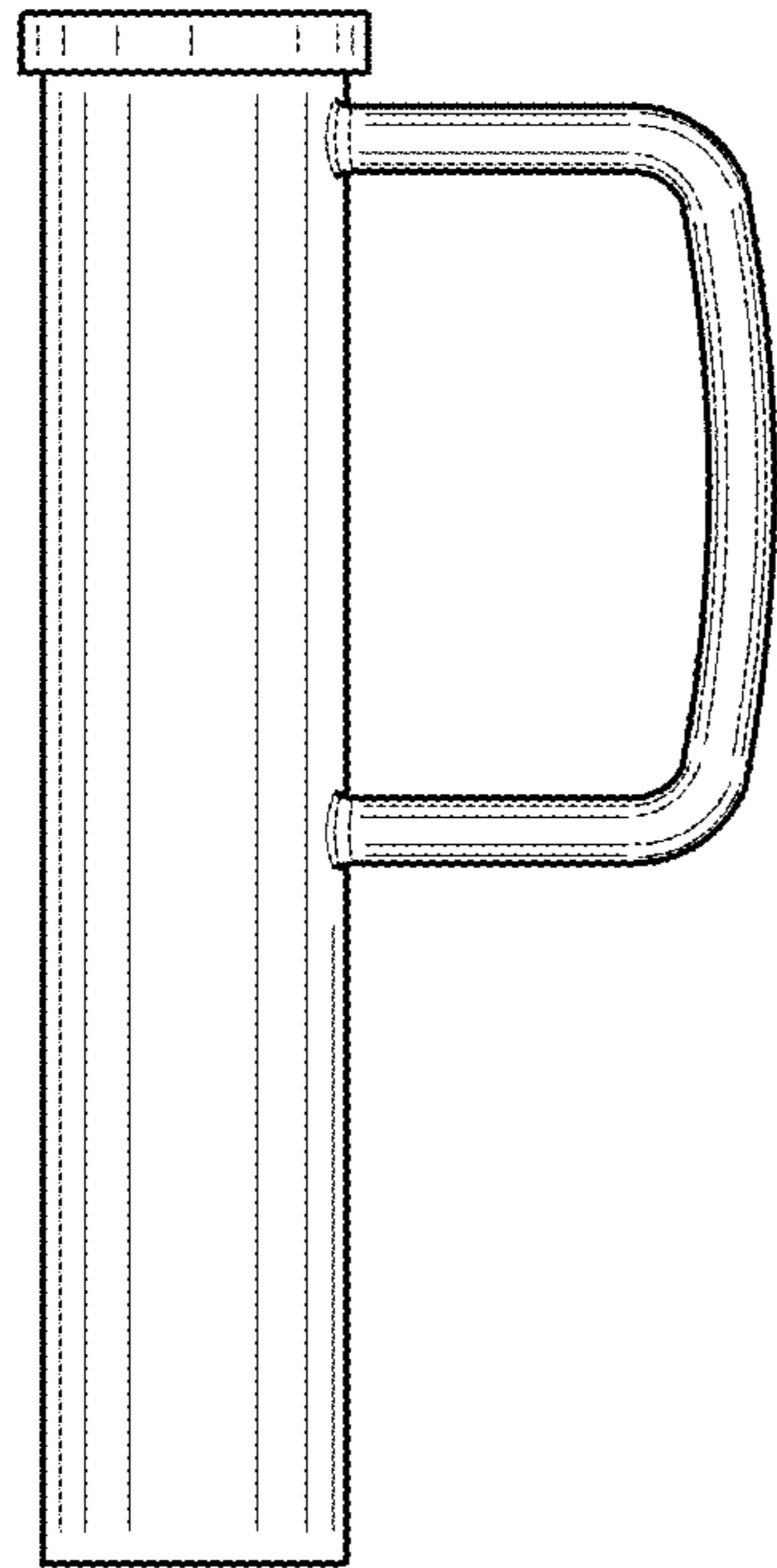


FIG. 1

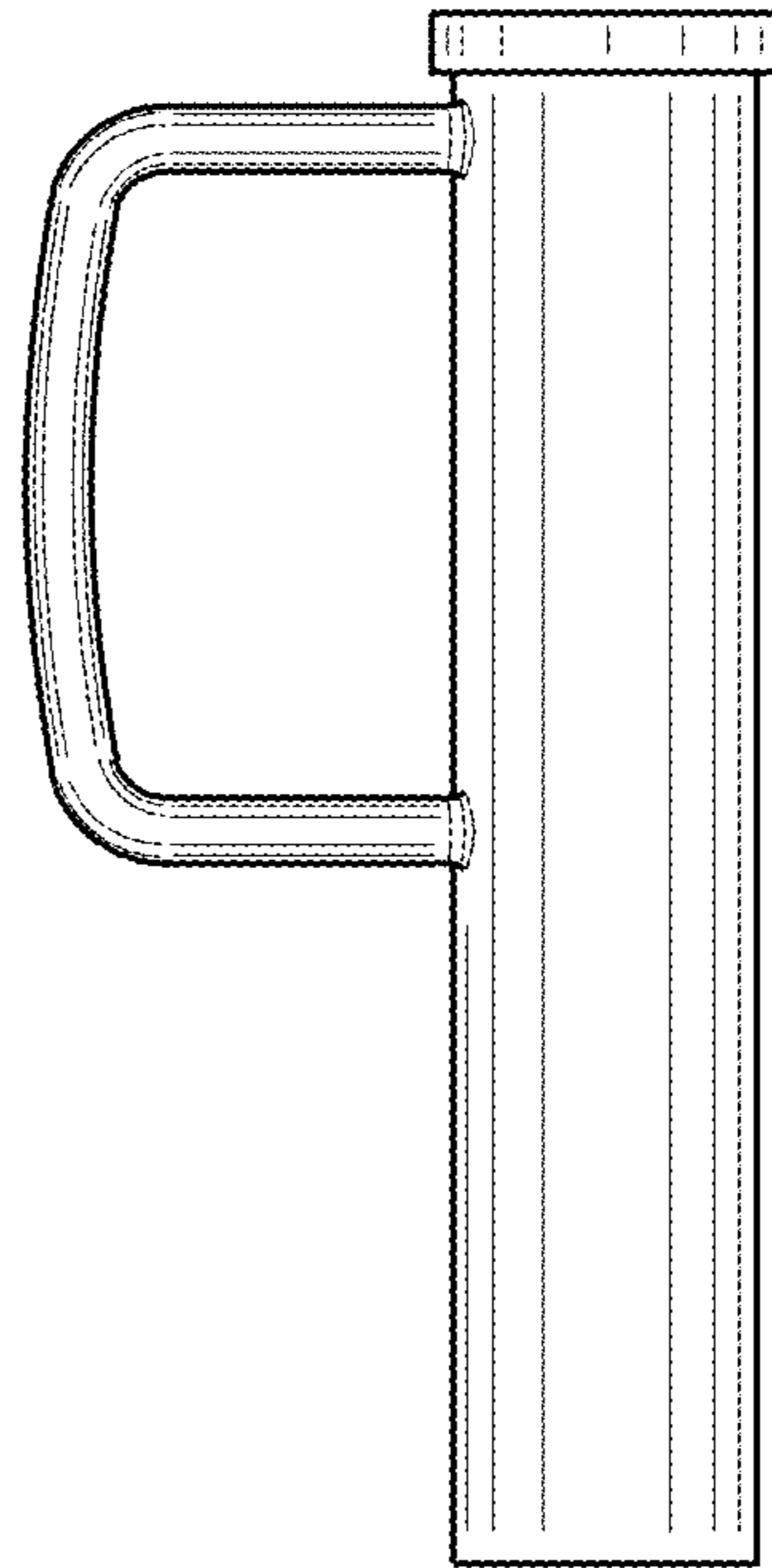


FIG. 2

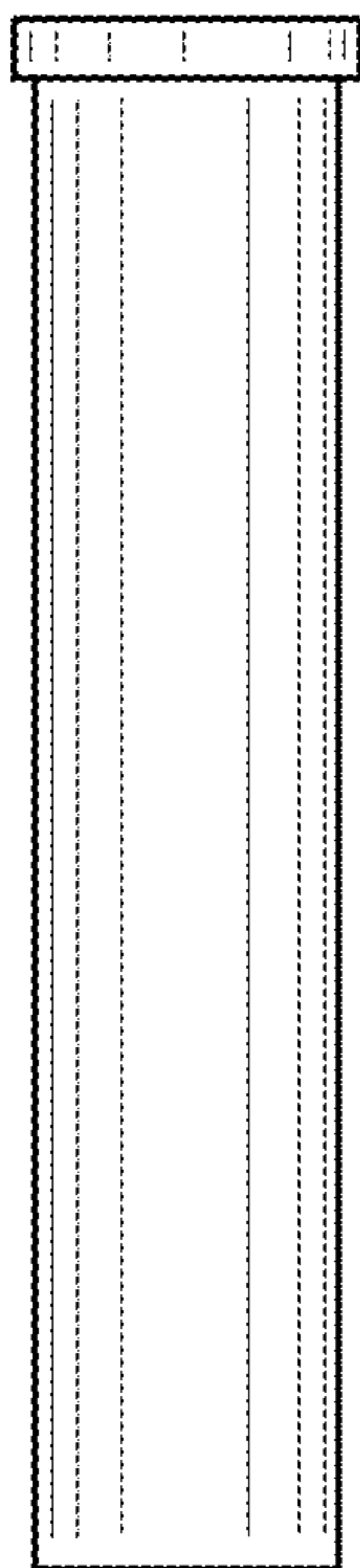


FIG. 3

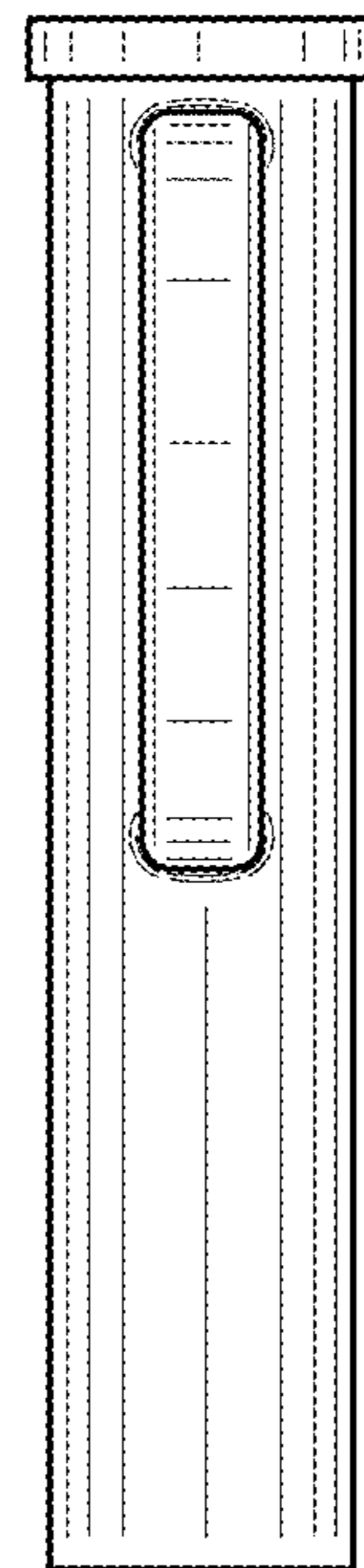


FIG. 4

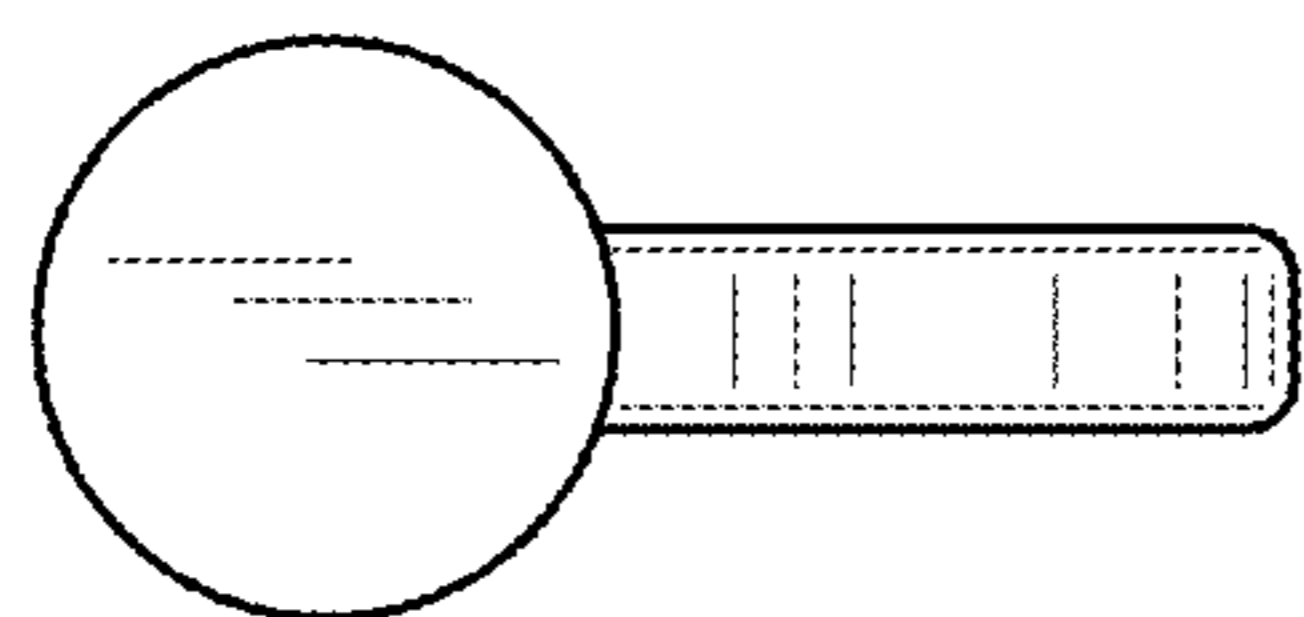


FIG. 5

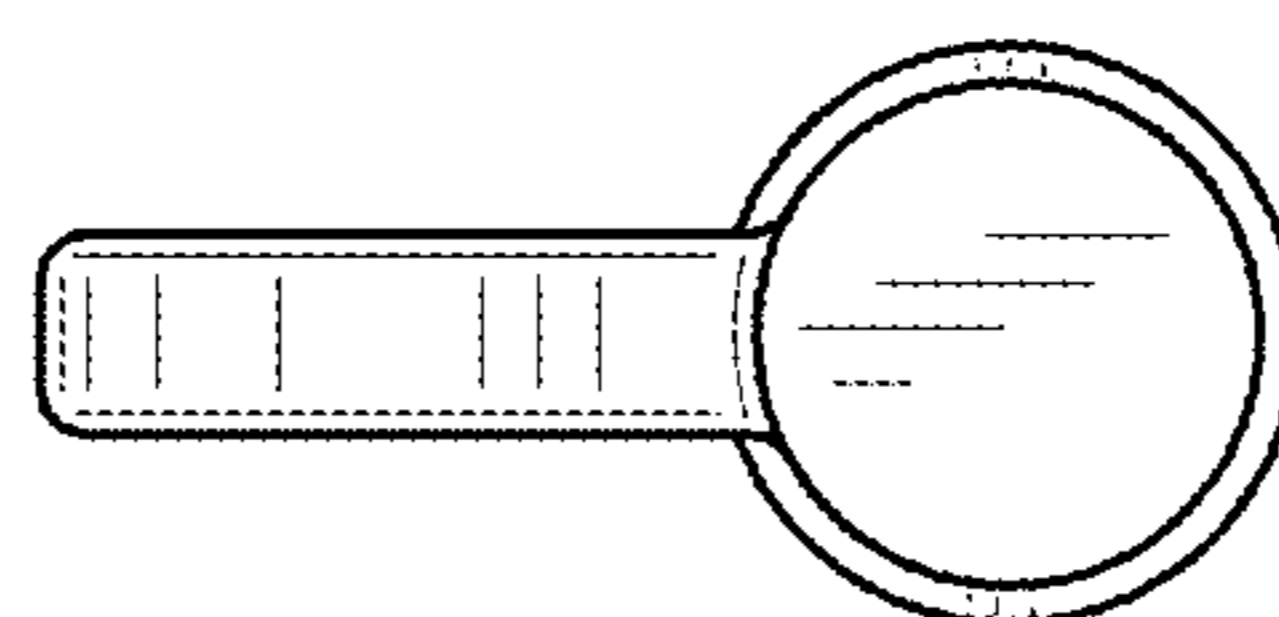


FIG. 6

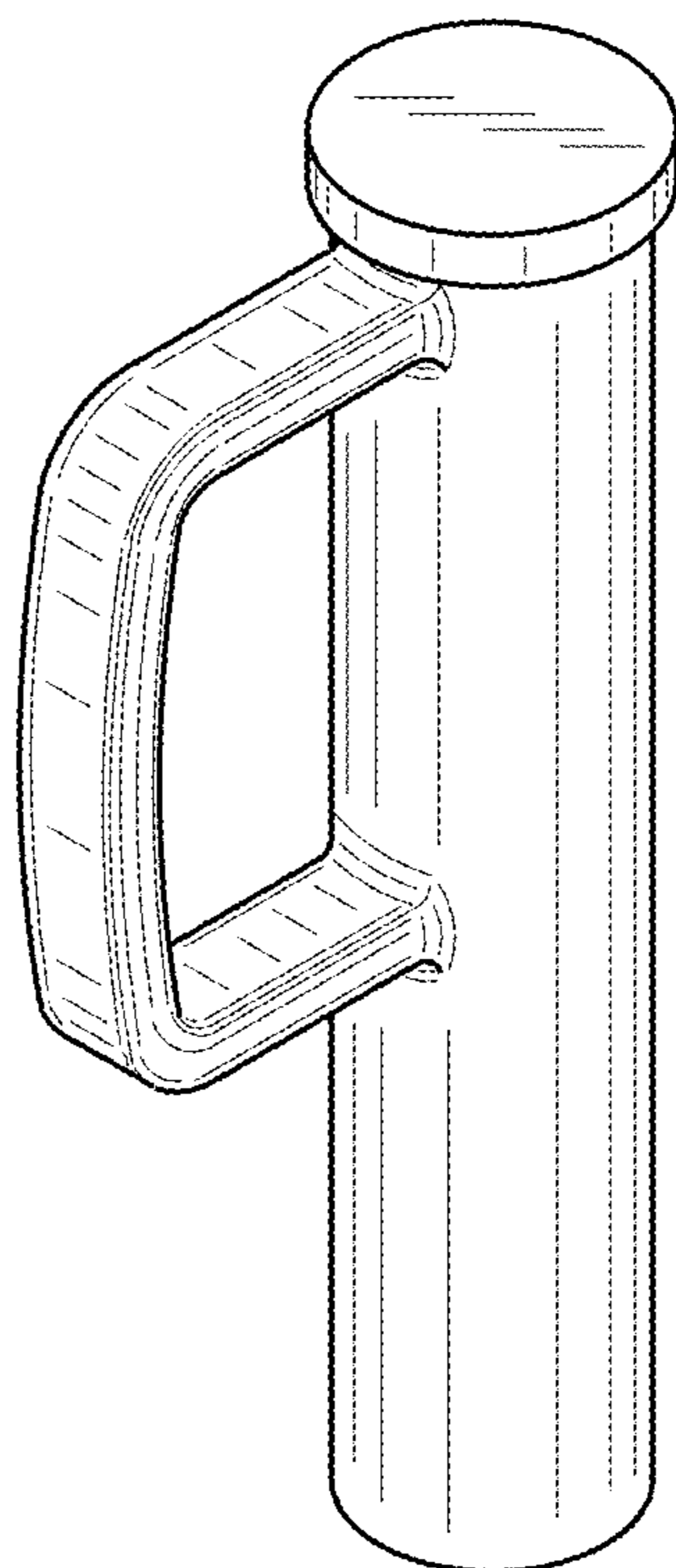


FIG. 7