

US00D962072S

(12) **United States Design Patent**
Ballot et al.

(10) **Patent No.:** **US D962,072 S**

(45) **Date of Patent:** **** Aug. 30, 2022**

- (54) **BOTTLE**
- (71) Applicant: **FLOCON, Inc.**, Woodstock, IL (US)
- (72) Inventors: **Stephan M. Ballot**, Barrington Hills, IL (US); **David A. Snyder**, Sharon, WI (US); **Fred M. Ekstrom**, Algonquin, IL (US); **Robert D. Forschler**, Lakewood, IL (US); **Thomas A. Nelsen**, Wauconda, IL (US)
- (73) Assignee: **FLOCON, INC.**, Woodstock, IL (US)
- (**) Term: **15 Years**
- (21) Appl. No.: **29/772,020**
- (22) Filed: **Feb. 26, 2021**
- (51) **LOC (13) Cl.** **09-01**
- (52) **U.S. Cl.**
USPC **D9/530; D9/543; D9/563; D9/575**
- (58) **Field of Classification Search**
USPC D9/434-435, 439, 447, 449, 450, 452, D9/454, 516, 520, 522-524, 528-531, D9/541-544, 549-551, 558-560, 563, D9/565-566, 571-575, 682, 686, 687, D9/693-694, 715, 719, 526; D7/300, D7/300.1, 316, 317, 598; D23/211, 225; D24/107, 121-123, 216, 217, 219, D24/223-227
CPC ... B65D 1/00; B65D 1/02; B65D 1/12; B65D 1/18; B65D 1/20; B65D 1/0223; B65D 23/00; B65D 21/0237; B65D 2501/0009; B65D 2501/0081
See application file for complete search history.

4,199,083 A	4/1980	LoMaglio	
4,273,268 A	6/1981	Wickenberg	
4,527,741 A	7/1985	Garneau	
4,558,821 A	12/1985	Tada	
4,646,969 A	3/1987	Sorm et al.	
4,826,052 A	5/1989	Micallef	
4,955,511 A	9/1990	Blake	
5,054,659 A	10/1991	Micallef	
5,318,206 A	6/1994	Maas et al.	
5,341,967 A	8/1994	Silvenis	
5,344,053 A	9/1994	Foster et al.	
5,402,916 A	4/1995	Nottingham et al.	
5,492,275 A	2/1996	Crampton	
5,704,521 A	1/1998	Grogan	
5,711,459 A	1/1998	Glynn	
5,810,209 A	9/1998	Foster	
D416,801 S *	11/1999	Macauley	D9/543
5,996,847 A	12/1999	Smolen, Jr. et al.	
D427,078 S *	6/2000	Schaaf	D9/543
D431,471 S *	10/2000	Large	D9/543
D432,426 S *	10/2000	Caughey	D9/543

(Continued)

Primary Examiner — Omeed Agilee
(74) *Attorney, Agent, or Firm* — Frijouf, Rust & Pyle, P.A.

(57) **CLAIM**

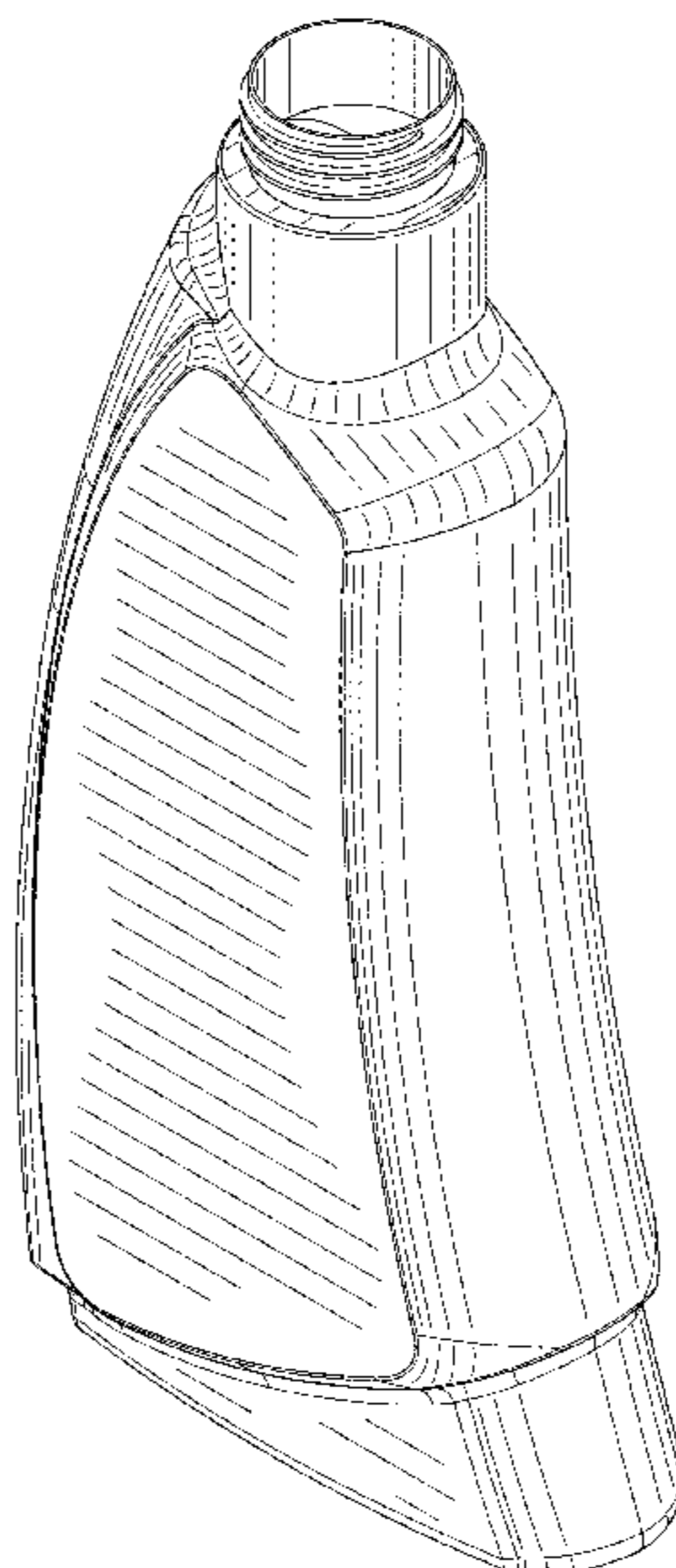
The ornamental design for a bottle, as shown and described.

DESCRIPTION

FIG. 1 is an upper rear isometric view of our new design for a bottle;
FIG. 2 is an upper front isometric view of FIG. 1;
FIG. 3 is a lower rear isometric view of FIG. 1;
FIG. 4 is a lower front isometric view of FIG. 1;
FIG. 5 is a left side view FIG. 2;
FIG. 6 is a right side view of FIG. 2;
FIG. 7 is a top view of FIG. 2;
FIG. 8 is a bottom view of FIG. 2;
FIG. 9 is a rear view of FIG. 2; and,
FIG. 10 is a from view of FIG. 2.

1 Claim, 9 Drawing Sheets

- (56) **References Cited**
U.S. PATENT DOCUMENTS
3,897,006 A 7/1975 Tada
3,913,841 A 10/1975 Tada



(56)

References Cited

U.S. PATENT DOCUMENTS

6,234,412	B1	5/2001	von Schuckmann	
6,364,174	B1	4/2002	Lohrman et al.	
6,439,481	B2	8/2002	von Schuckmann	
6,595,246	B2	7/2003	Brozell et al.	
D482,285	S *	11/2003	Desouza	D9/520
D487,401	S *	3/2004	Cotton	D9/543
6,910,605	B2	6/2005	Schuckmann et al.	
D510,869	S *	10/2005	Gross	D9/543
D596,947	S *	7/2009	Mengeu	D9/563
D615,416	S *	5/2010	Lee	D9/543
D649,058	S *	11/2011	Kuzma	D9/569
D663,627	S *	7/2012	Castillo Higareda	D9/543
D693,691	S *	11/2013	Nachtsheim	D9/563
D722,269	S *	2/2015	Hughes	D9/563
D722,882	S *	2/2015	Castillo Higareda	D9/543
9,004,322	B2	4/2015	Graham	
D736,089	S *	8/2015	Castillo Higareda	D9/543
D739,748	S *	9/2015	Van Wetten	D9/449
D741,188	S *	10/2015	Juna	D9/542
D753,496	S *	4/2016	Dietvorst	D9/449
D753,497	S *	4/2016	Dietvorst	D9/563
D786,077	S *	5/2017	Chung	D9/523
D808,273	S *	1/2018	Yono	D9/540
D849,544	S *	5/2019	Castillo Higareda	D9/543
D860,796	S *	9/2019	Jasso Gomez	D9/557
D920,123	S *	5/2021	McGahan	D9/542
11,065,635	B2	7/2021	Ballot et al.	
2004/0222243	A1	11/2004	Sweeton	
2005/0173560	A1	8/2005	Bitowft	
2007/0158368	A1	7/2007	Tada	
2017/0036231	A1	2/2017	Conway et al.	

* cited by examiner

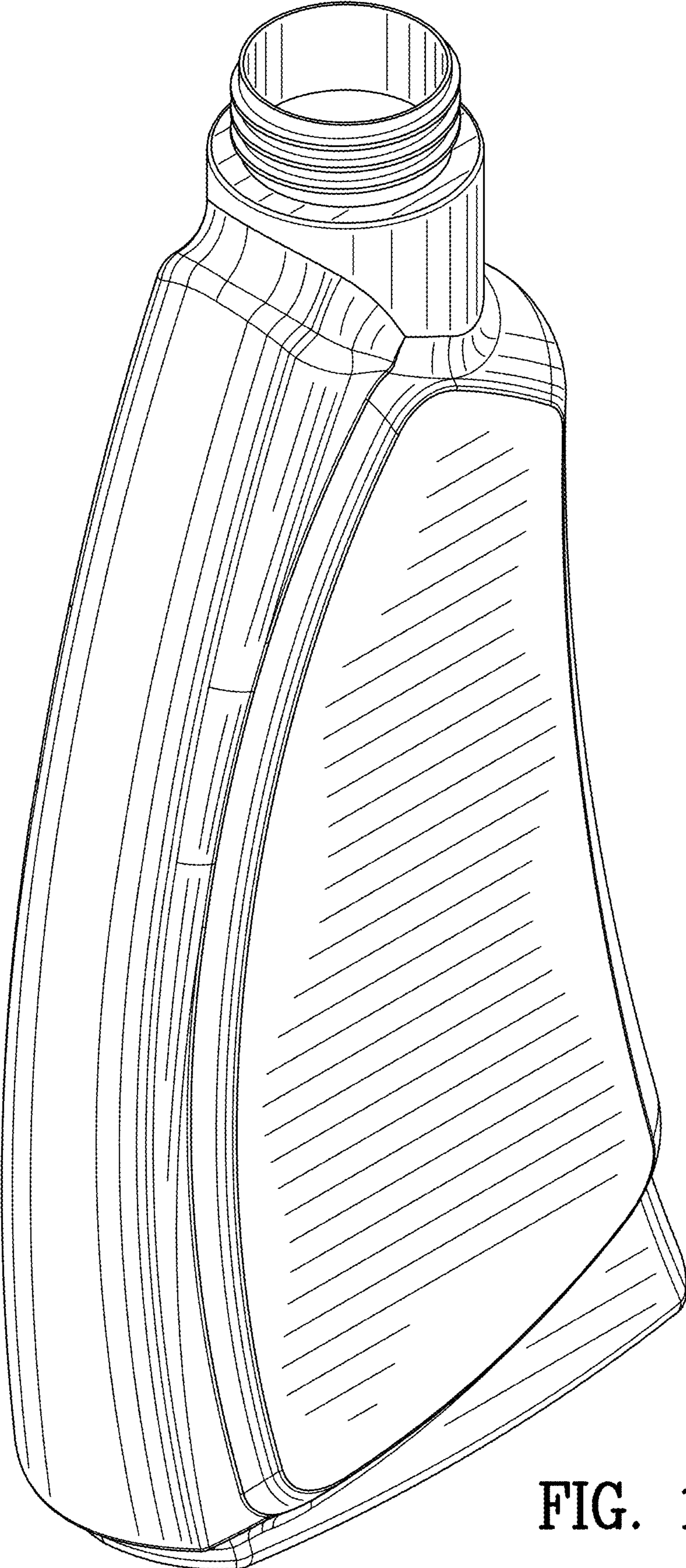


FIG. 1

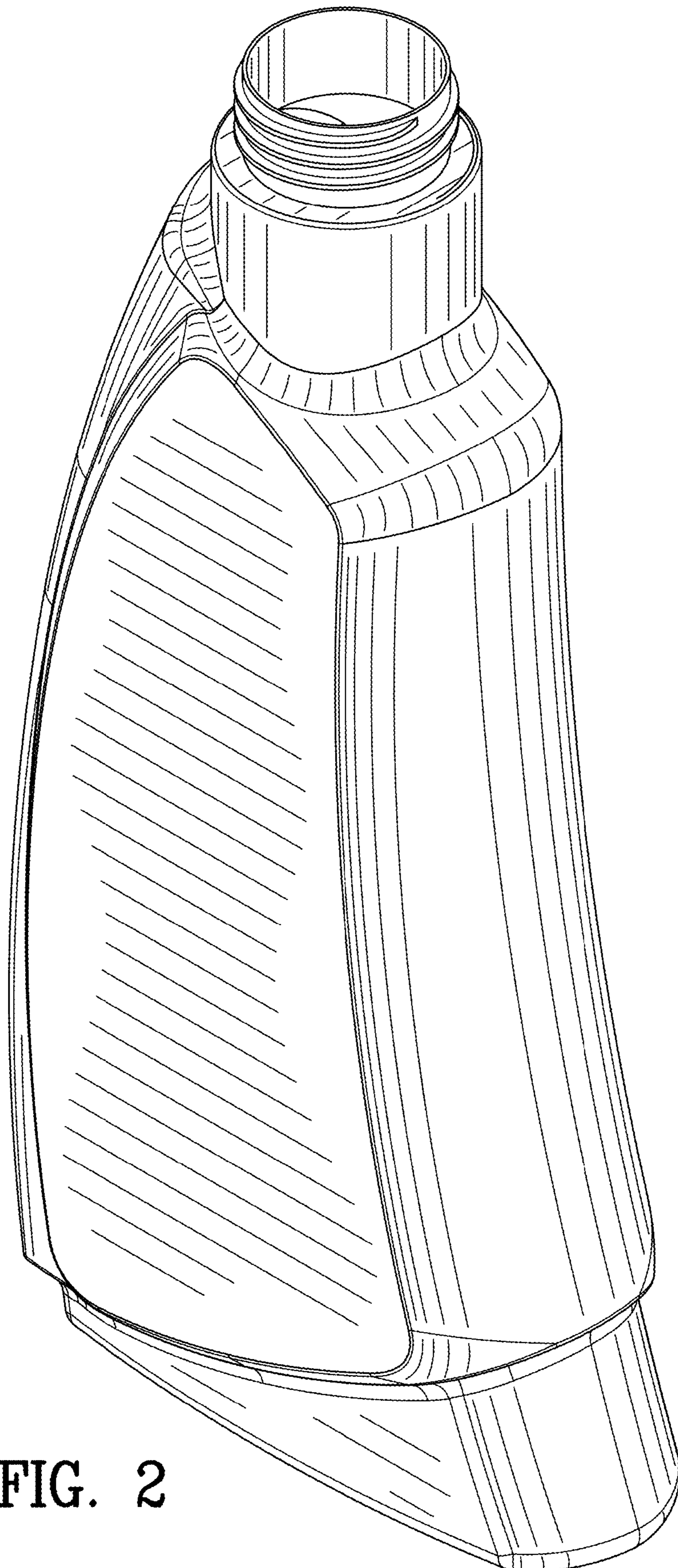


FIG. 2

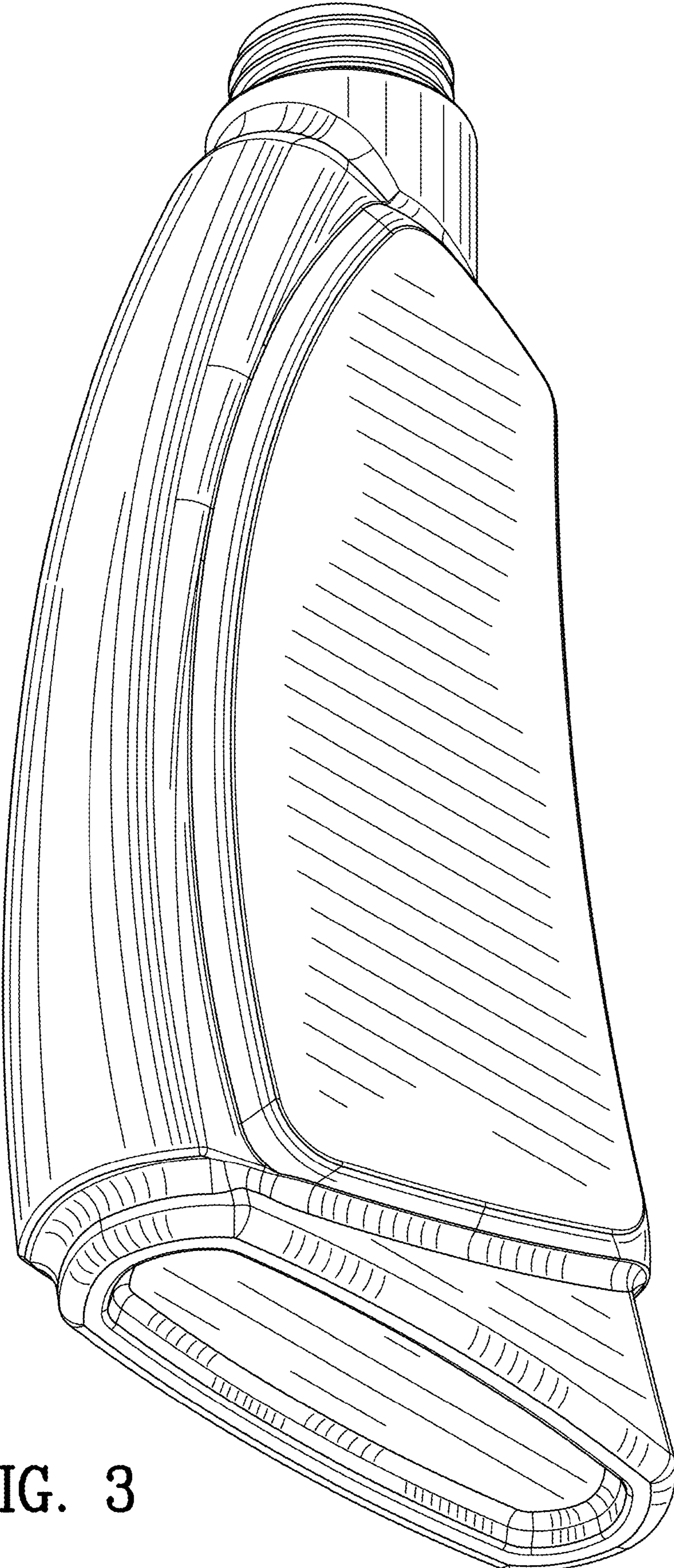


FIG. 3

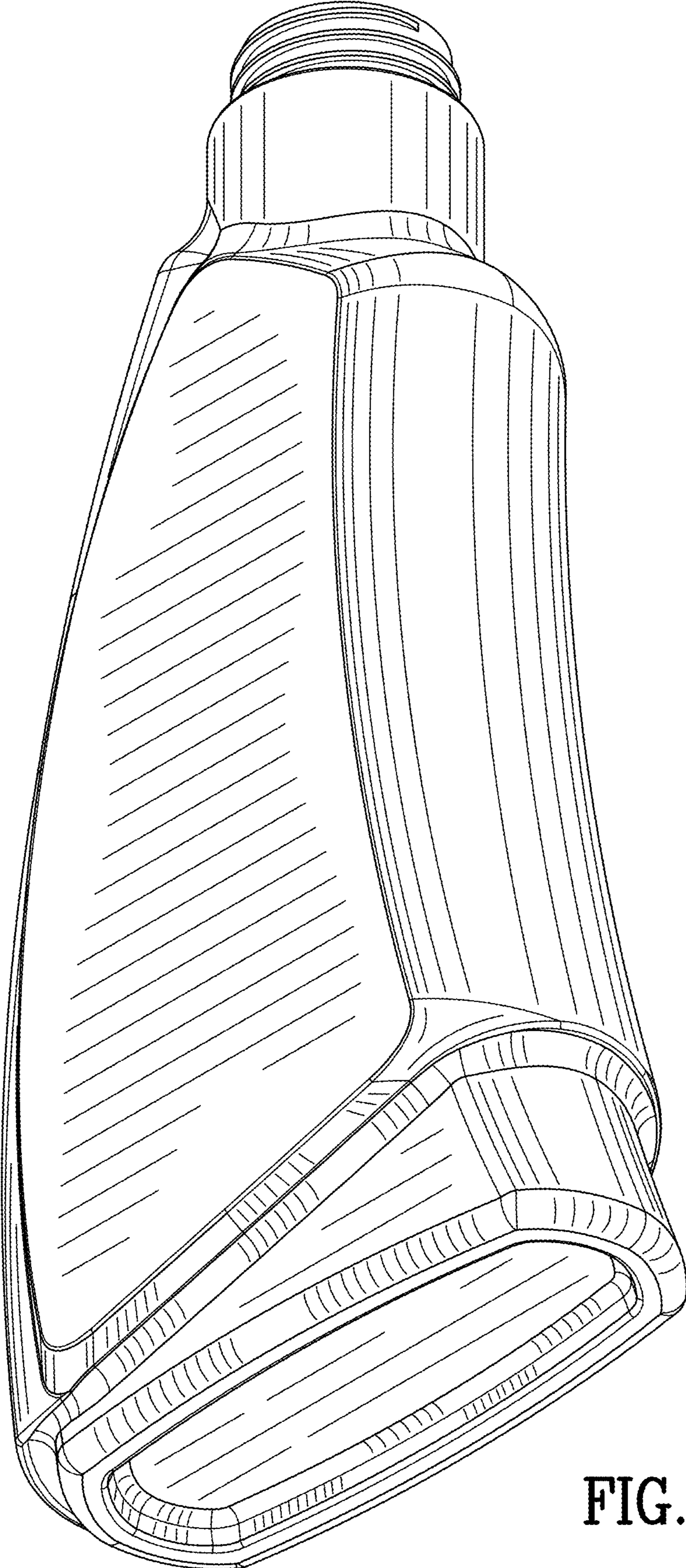


FIG. 4

FIG. 5

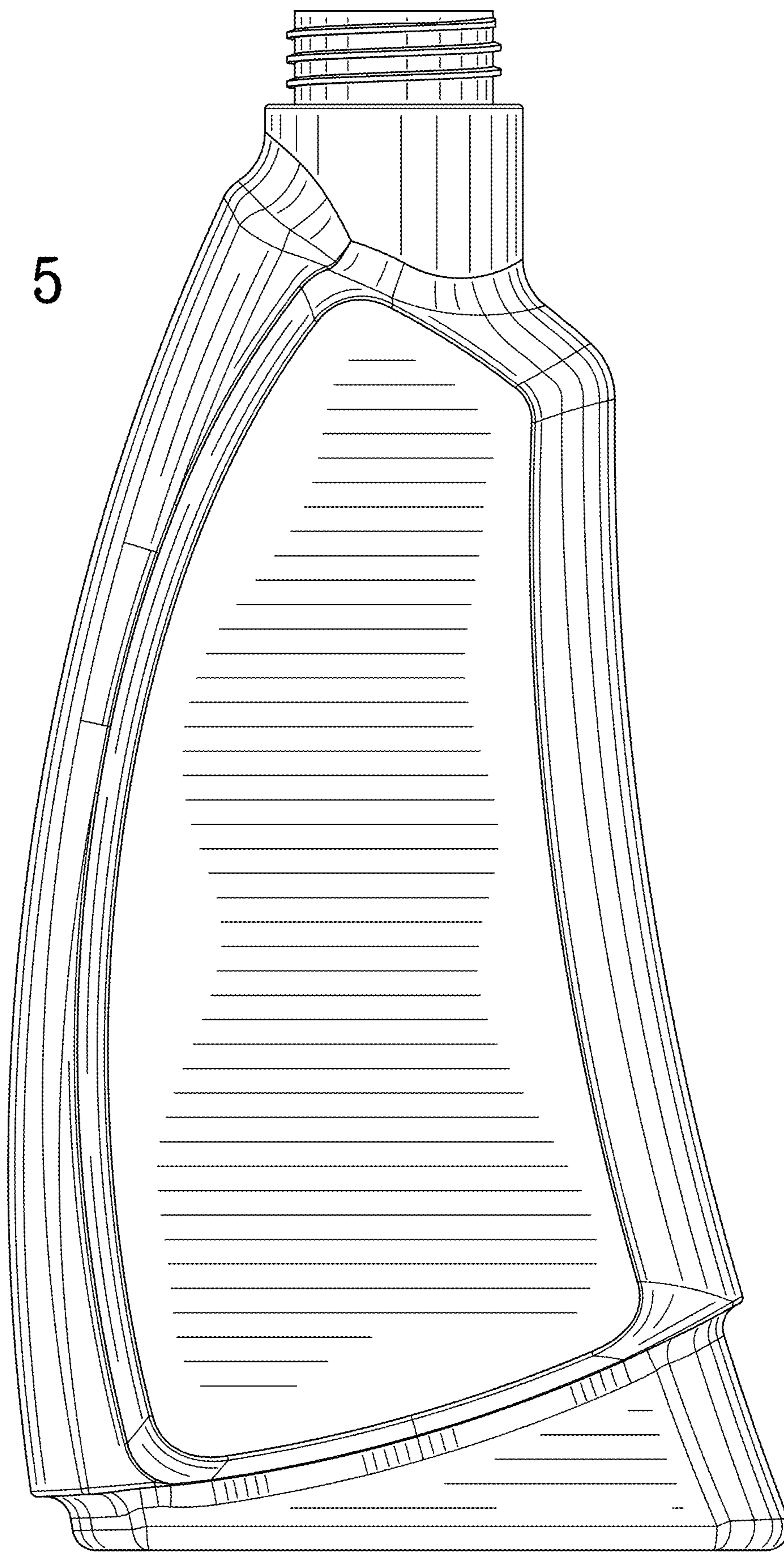
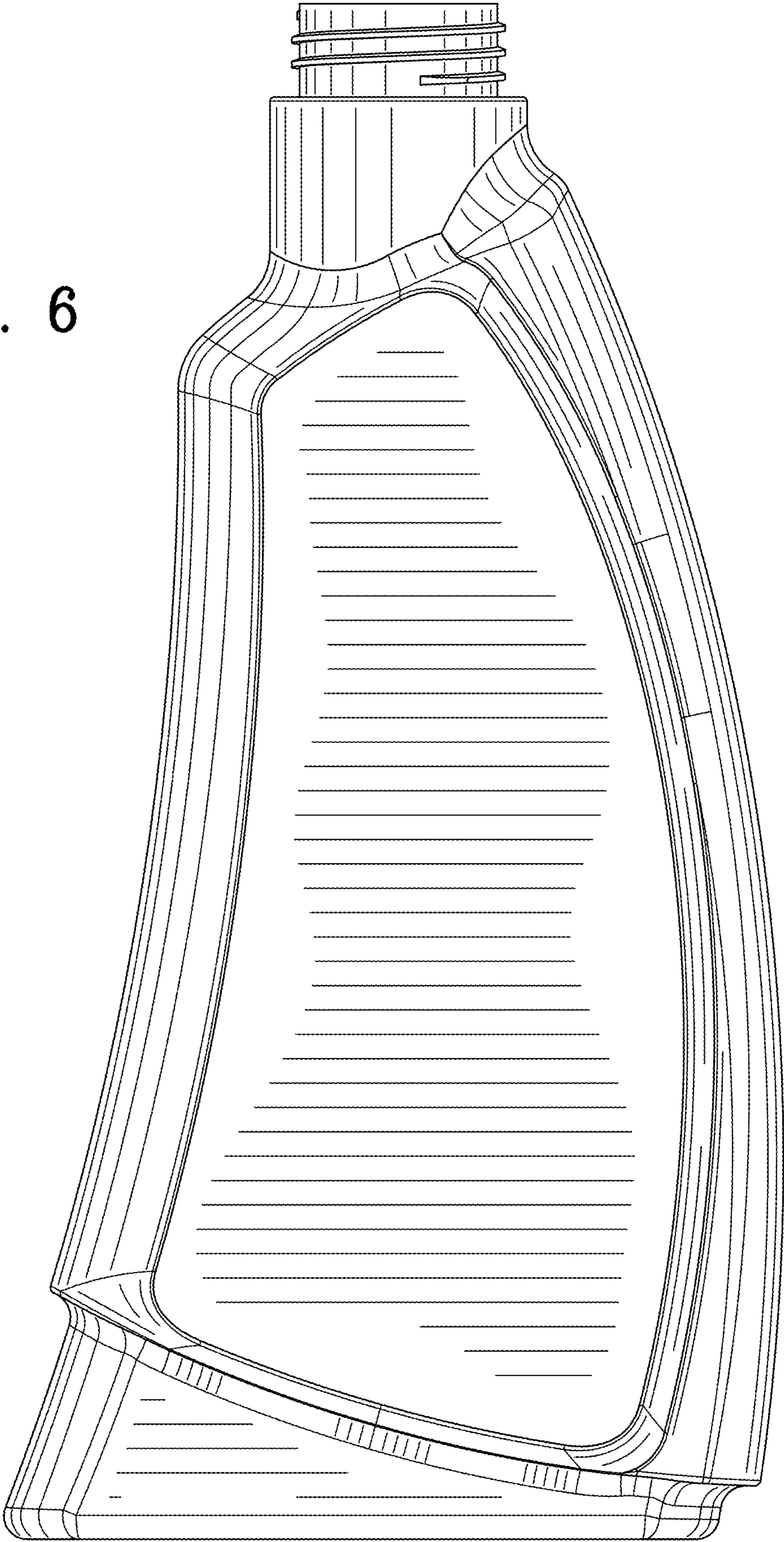


FIG. 6



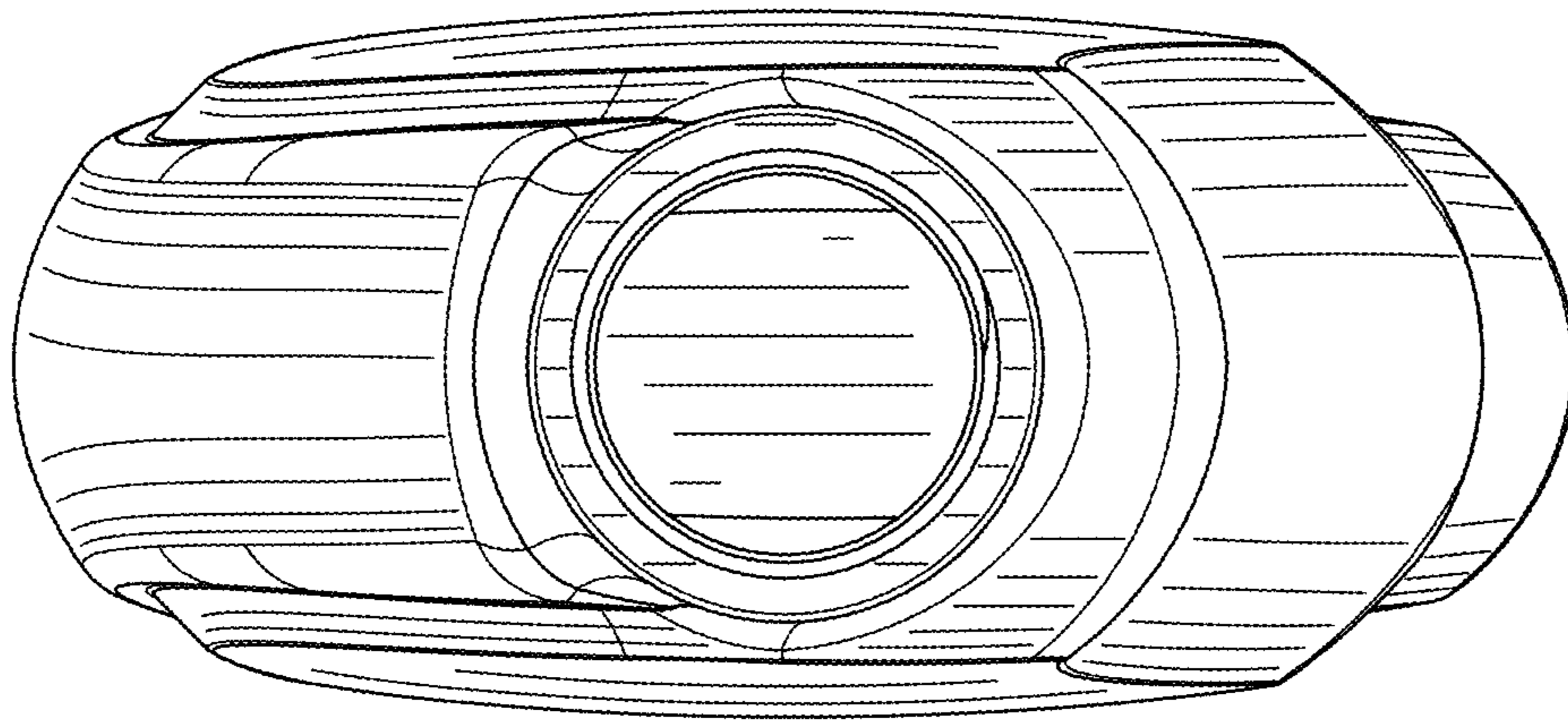


FIG. 7

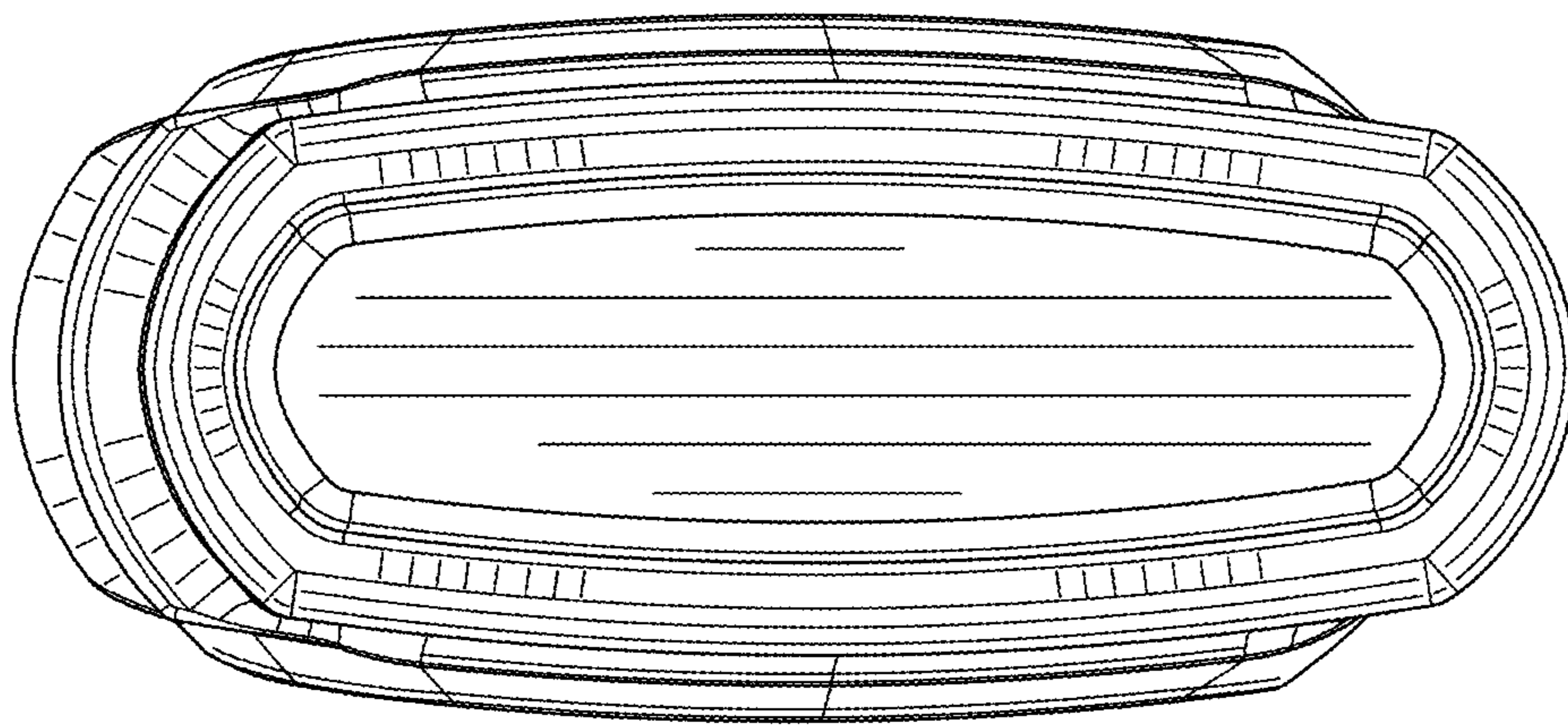


FIG. 8

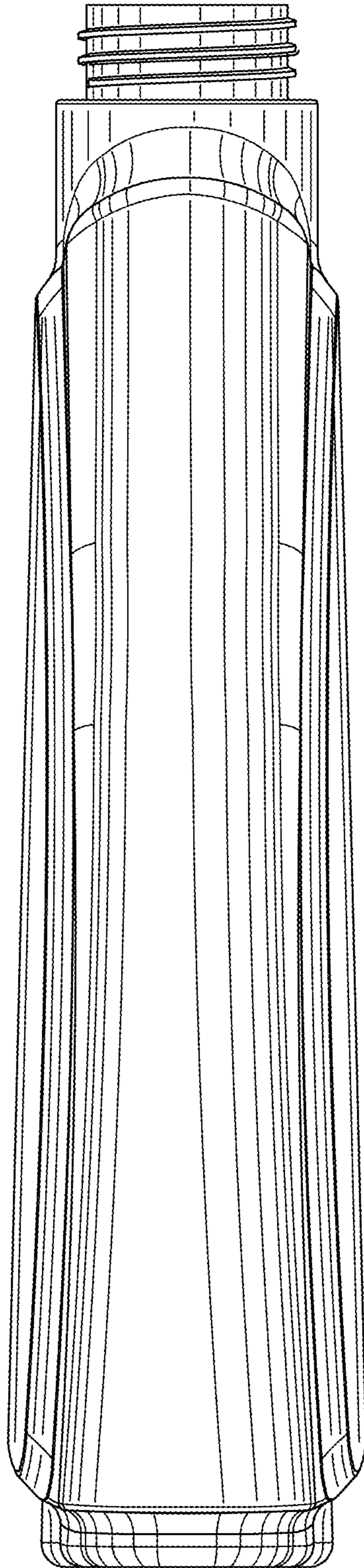


FIG. 9

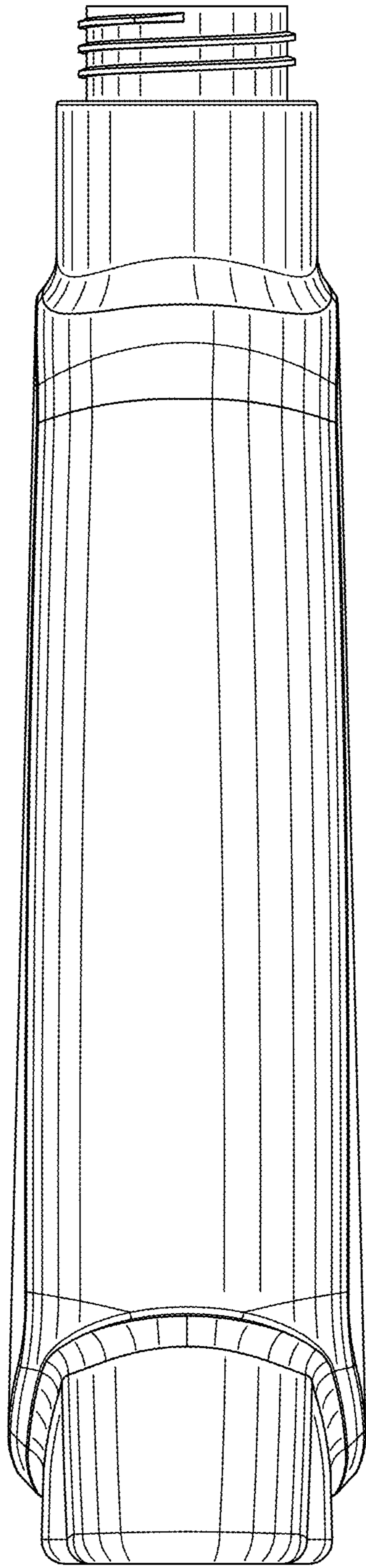


FIG. 10