



US00D962071S

(12) **United States Design Patent** (10) **Patent No.:** **US D962,071 S**
Pascalie et al. (45) **Date of Patent:** **** Aug. 30, 2022**

(54) **LIQUID-PRODUCT BOTTLE**
(71) Applicant: **L'Oréal USA, Inc.**, New York, NY (US)
(72) Inventors: **Olivier Pascalie**, Paris (FR); **Laura Romain**, Paris (FR)
(73) Assignee: **L'ORÉAL USA, INC.**, New York, NY (US)

D590,719 S * 4/2009 Zwolbar D9/558
D614,041 S * 4/2010 Kuzma D9/557
D694,121 S * 11/2013 Park D9/686
D724,385 S * 3/2015 Hurley D7/511
D729,066 S * 5/2015 Behar D9/449
D811,818 S * 3/2018 Wu D9/503
D852,634 S * 7/2019 Balletta D9/550
D889,975 S * 7/2020 Cartis D9/570
D899,259 S * 10/2020 Habig D9/558
D910,360 S * 2/2021 Athanasiadis D7/532
D918,723 S * 5/2021 Sun D9/529

(Continued)

(**) Term: **15 Years**

(21) Appl. No.: **29/758,824**

(22) Filed: **Nov. 18, 2020**

(51) **LOC (13) Cl.** **09-01**

(52) **U.S. Cl.**
USPC **D9/529**

(58) **Field of Classification Search**
USPC D9/434-435, 439, 447, 449, 450, 452, D9/454, 516, 520, 522-524, 528-531, D9/541-544, 549-551, 558-560, 563, D9/565-566, 571-575, 682, 686, 687, D9/693-694, 715, 719; D7/300, 300.1, D7/316, 317, 598; D23/211, 225
CPC ... B65D 1/00; B65D 1/02; B65D 1/12; B65D 1/18; B65D 1/20; B65D 1/0223; B65D 23/00; B65D 21/0237; B65D 2501/0009; B65D 2501/0081

See application file for complete search history.

(56) **References Cited**

U.S. PATENT DOCUMENTS

D336,854 S * 6/1993 Segati D9/569
D352,004 S * 11/1994 Bikoff D9/503
D353,099 S * 12/1994 Poisson D9/557
D354,915 S * 1/1995 Schneider D9/504
D375,052 S * 10/1996 Lathrop D9/558
D376,320 S * 12/1996 Lathrop D9/558
D385,195 S * 10/1997 Corwin D9/542
D392,190 S * 3/1998 Nash D9/557

OTHER PUBLICATIONS

The best reusable water bottles. Online, published date Feb. 10, 2021. Retrieved on 04/12/22 from URL: <https://www.telegraph.co.uk/recommended/leisure/best-water-bottles/>.*

(Continued)

Primary Examiner — Omeed Agilee
(74) *Attorney, Agent, or Firm* — Christensen O'Connor Johnson Kindness PLLC

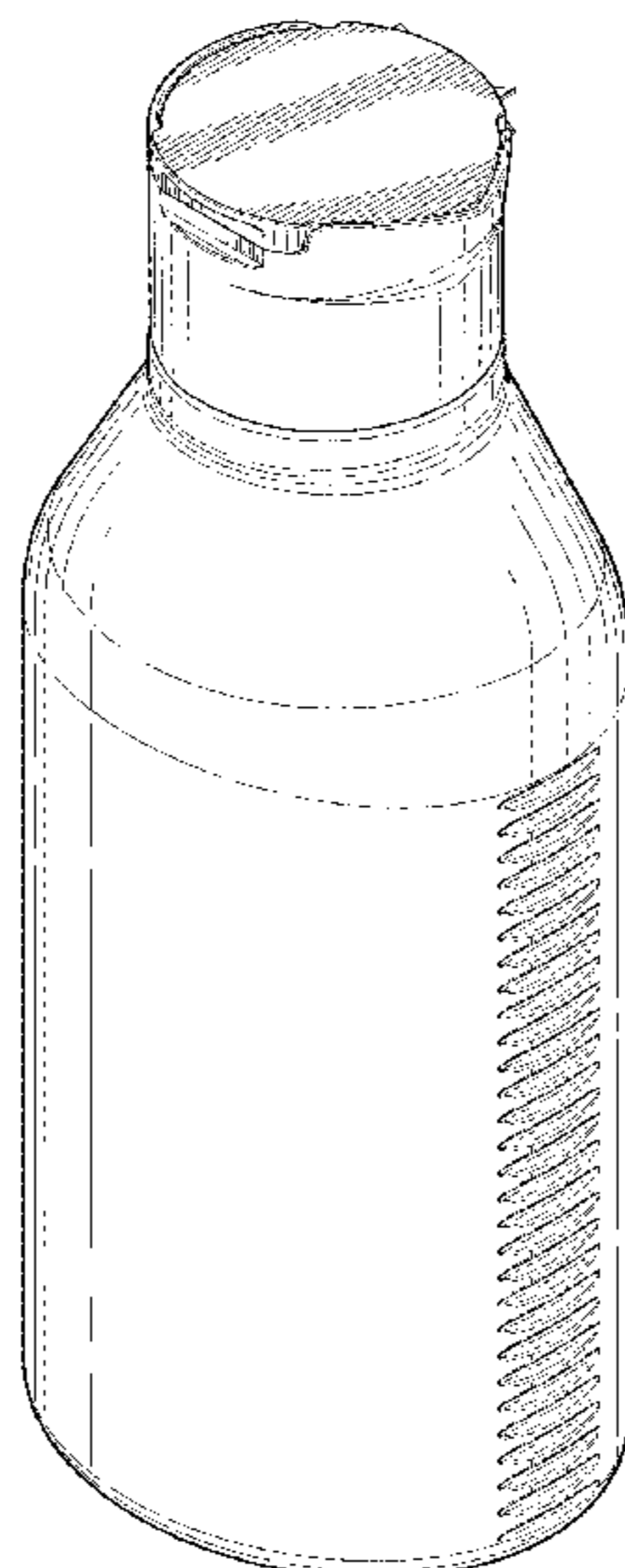
(57) **CLAIM**

The ornamental design for a liquid-product bottle, as shown and described.

DESCRIPTION

FIG. 1 is a top front right perspective view of a liquid-product bottle in accordance with our new design; FIG. 2 is a bottom rear left perspective view thereof; FIG. 3 is a front elevation view thereof; FIG. 4 is a rear elevation view thereof; FIG. 5 is a top plan view thereof; FIG. 6 is a bottom plan view thereof; FIG. 7 is a right side elevation view thereof; FIG. 8 is a left side elevation view thereof; and, FIG. 9 is an enlarged partial sectional view through line 9-9 in FIG. 8.

1 Claim, 8 Drawing Sheets



(56)

References Cited

U.S. PATENT DOCUMENTS

D919,438 S * 5/2021 Cartis D9/530
D921,435 S * 6/2021 Slemp D7/511
D922,829 S * 6/2021 Campbell D7/608

OTHER PUBLICATIONS

Plastic Blank Tall Shampoo Bottle Mockup. Online, published date unknown. Retrieved on Apr. 12, 2022 from URL: <https://designbundles.net/evgeniyzimin/1169542-plastic-blank-tall-shampoo-bottle-mockup>.*

* cited by examiner

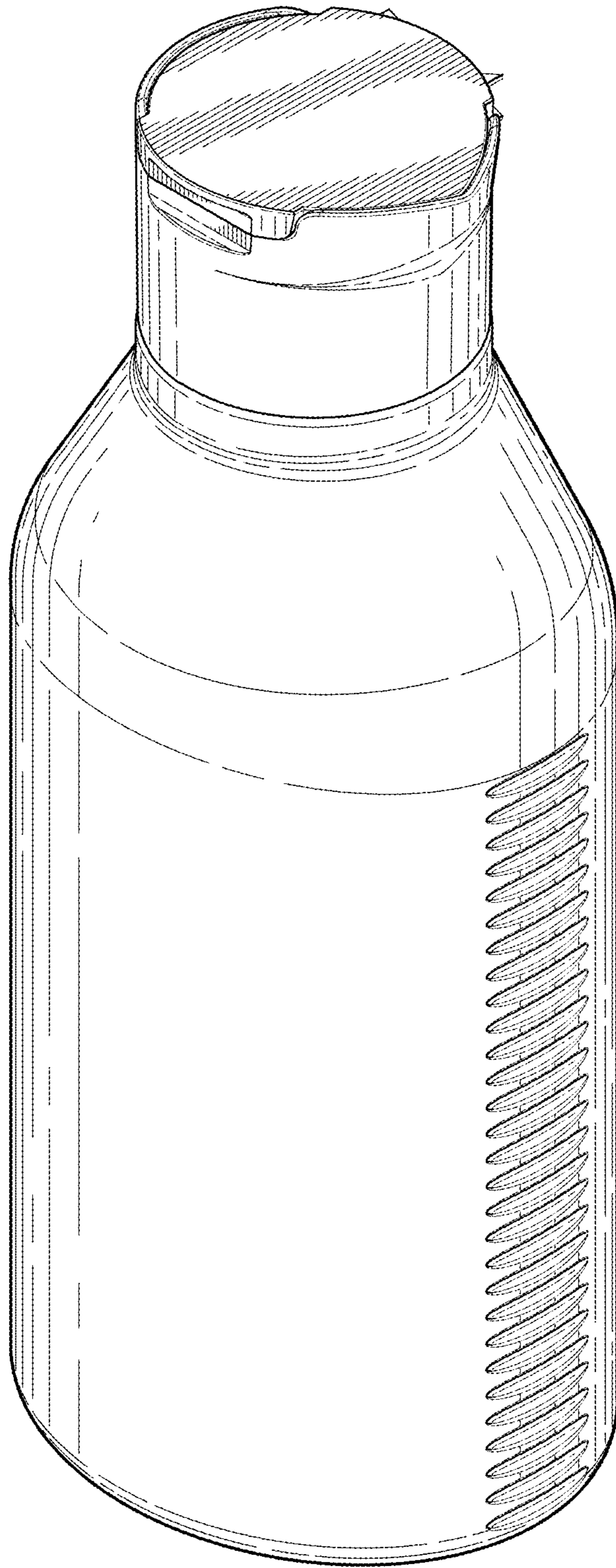


Fig. 1.

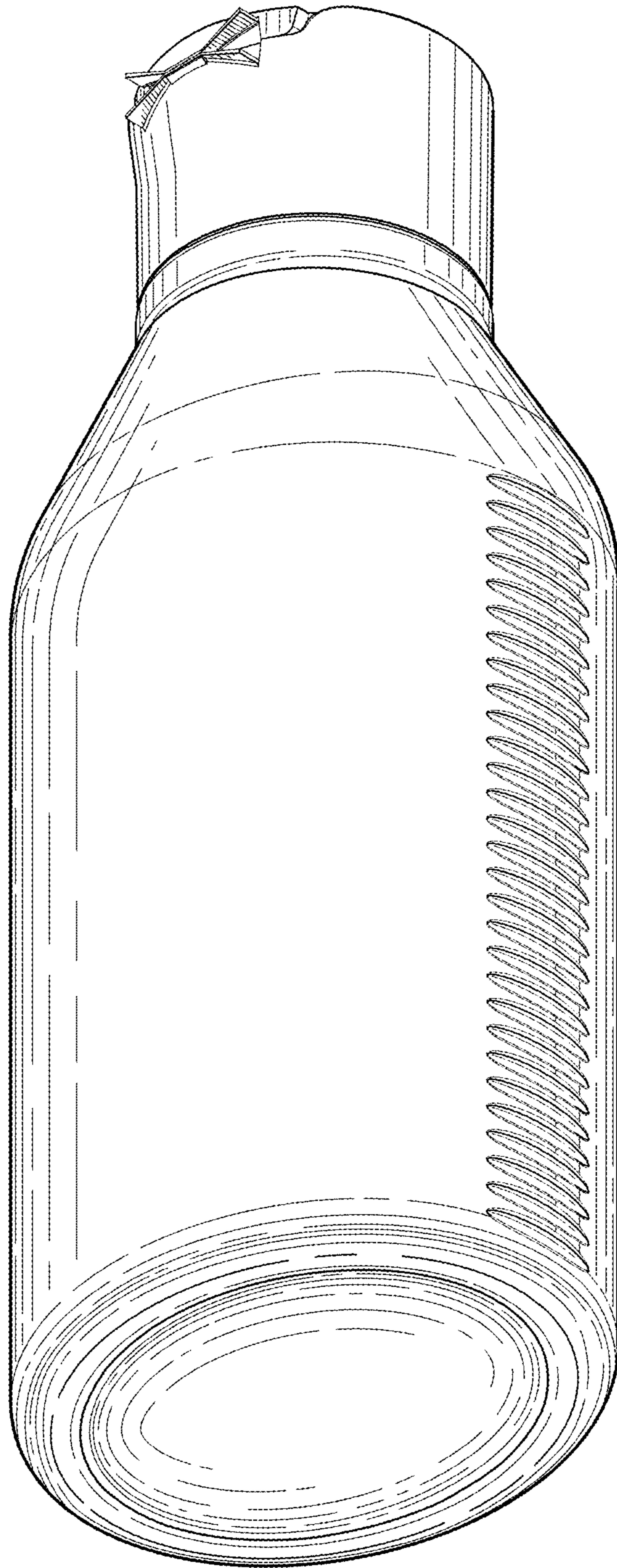


Fig. 2.

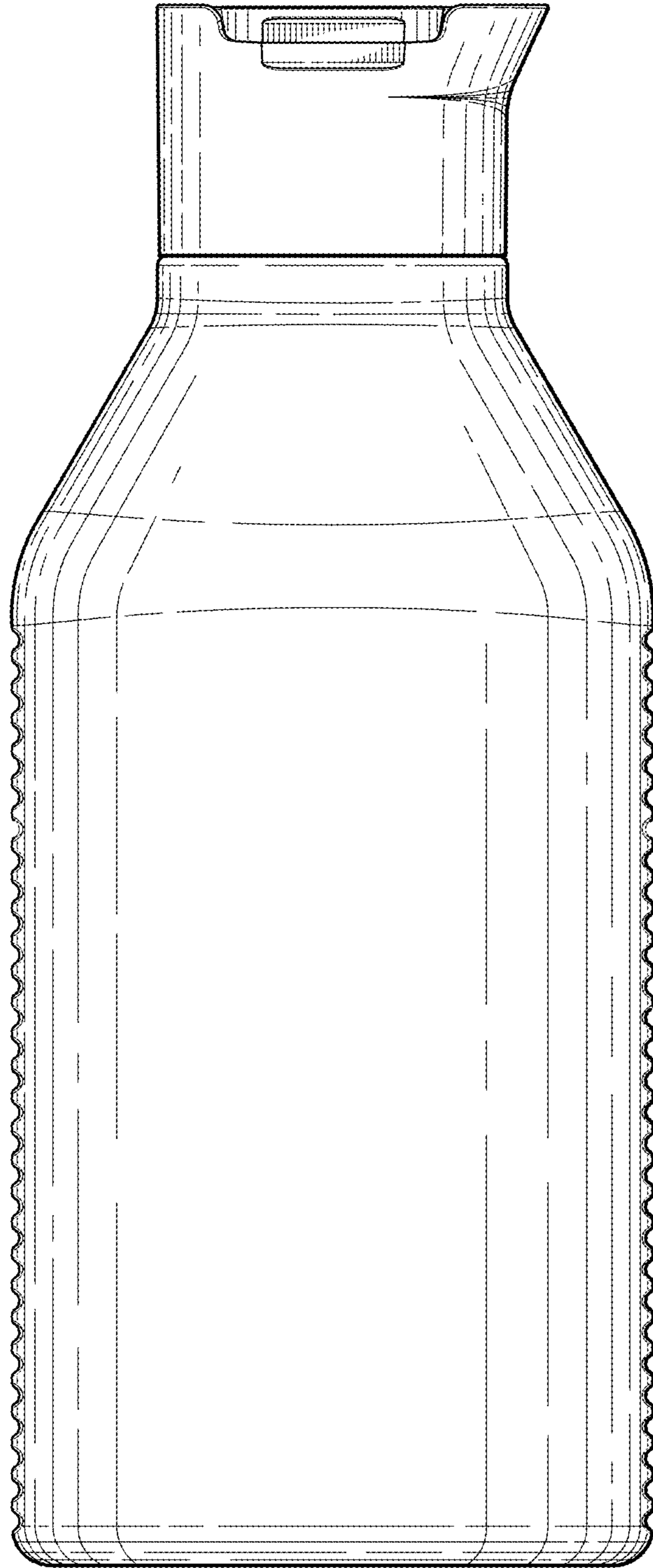


Fig. 3.

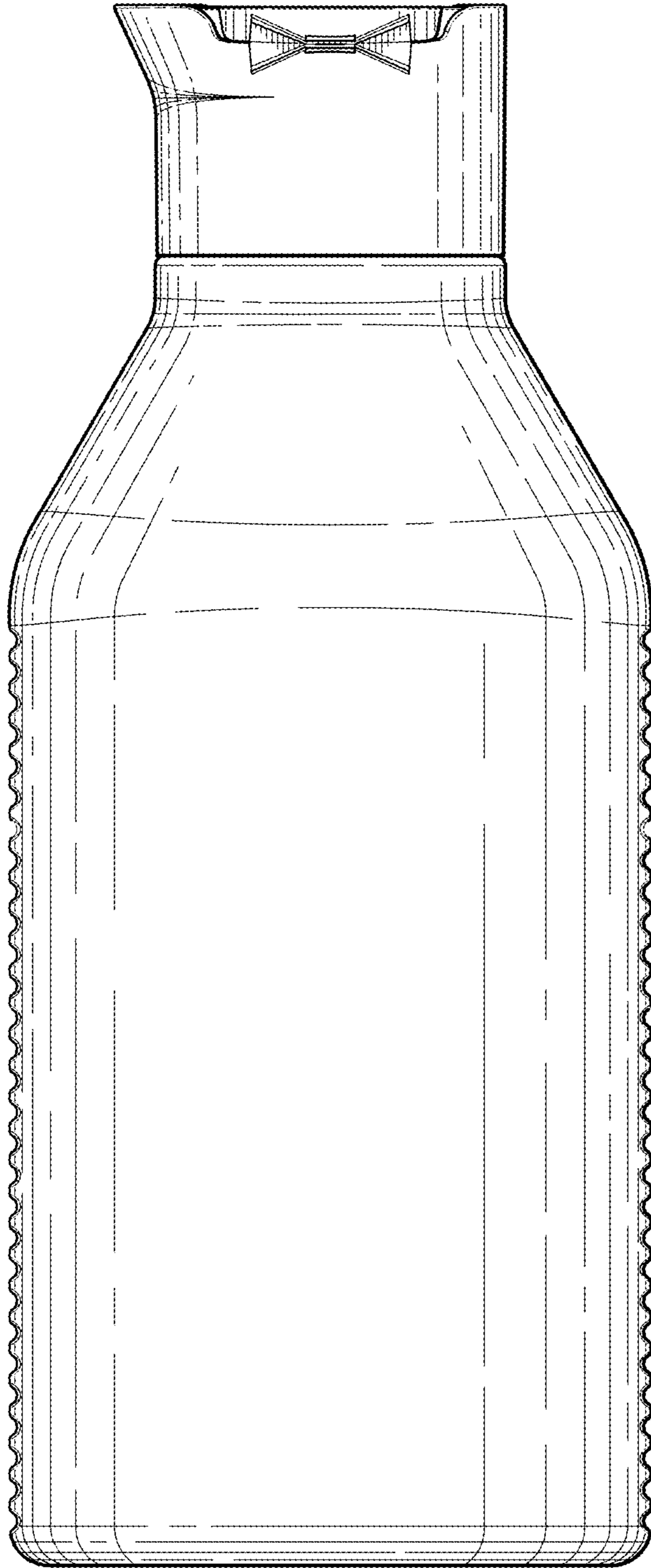


Fig. 4.

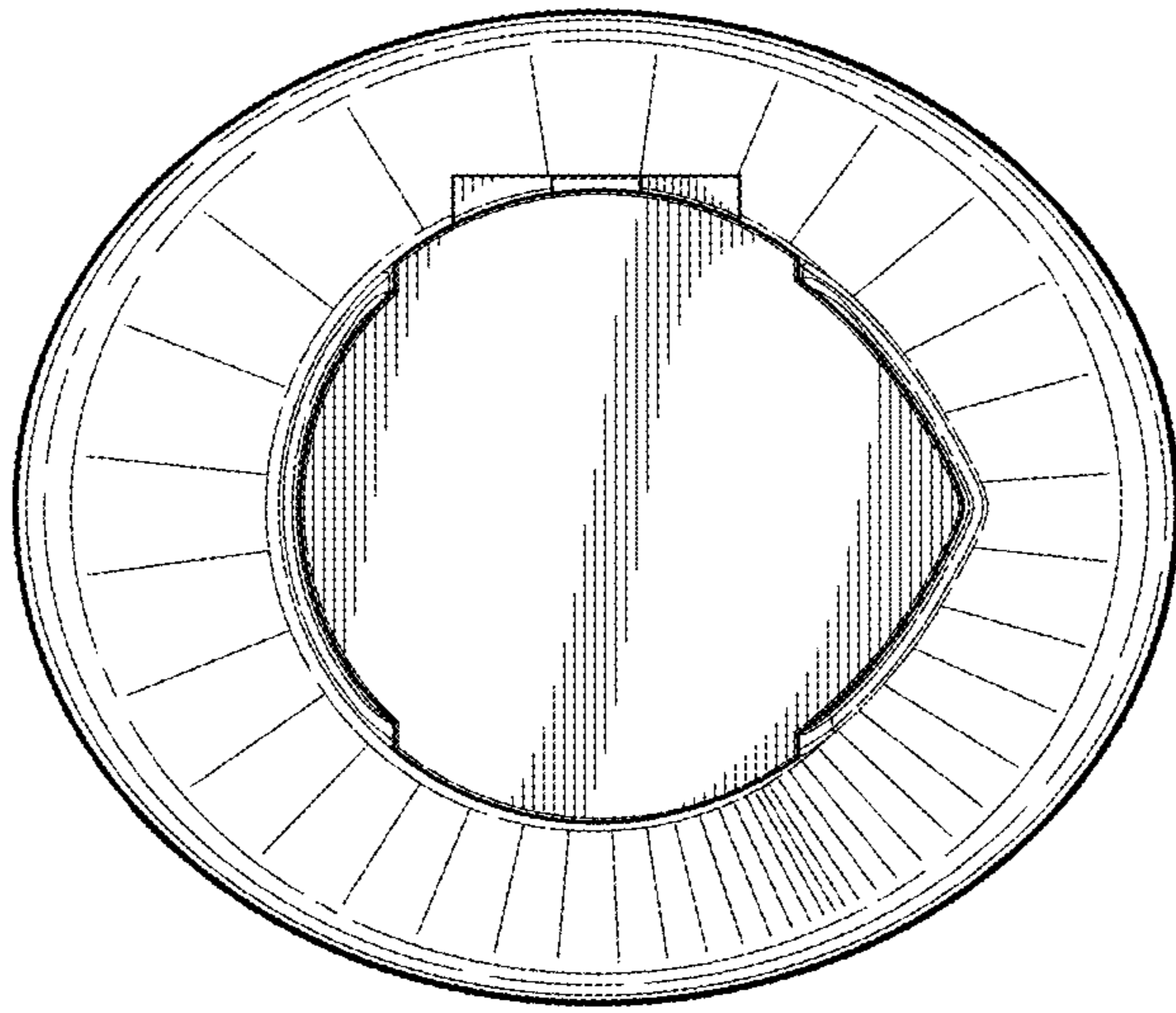


Fig. 5.

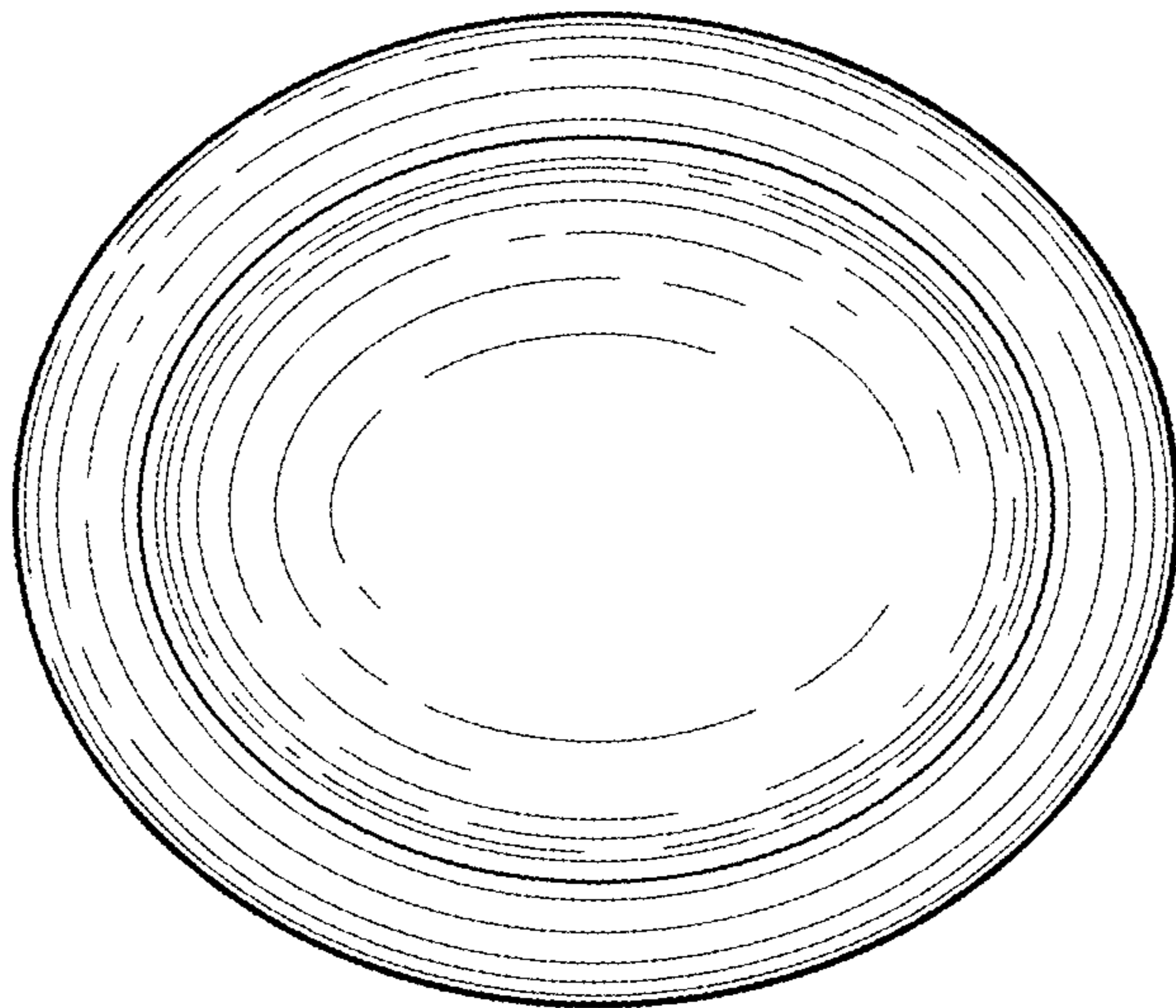


Fig. 6.

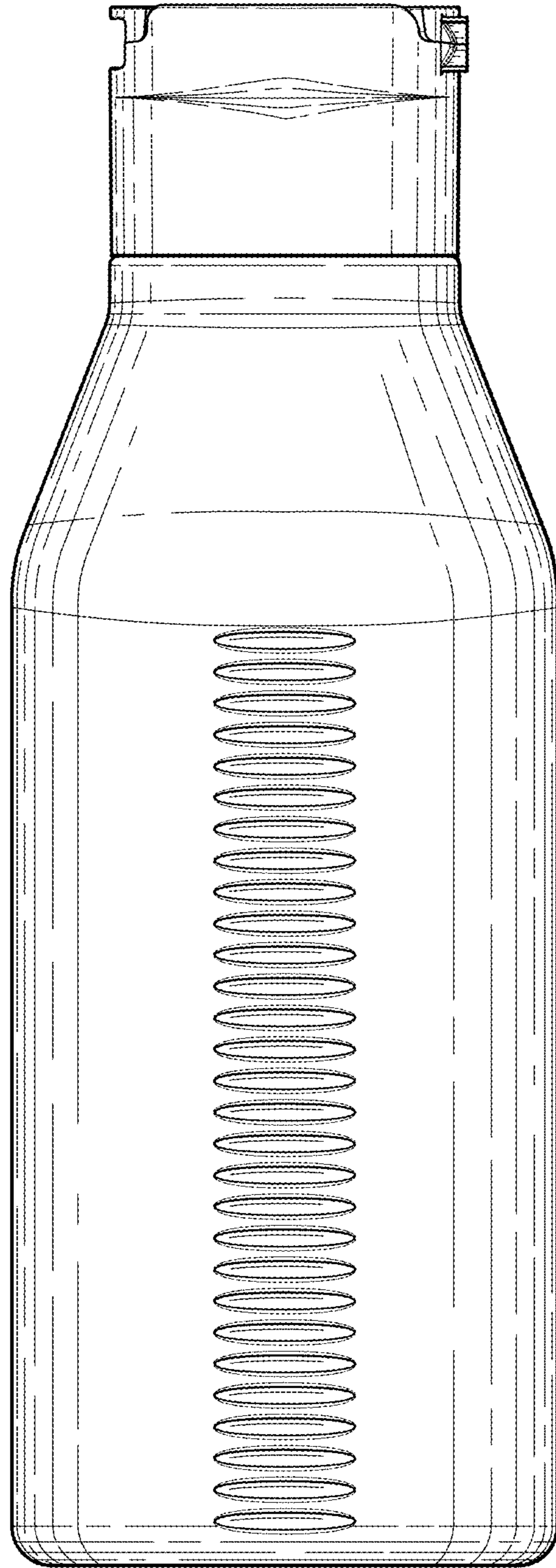
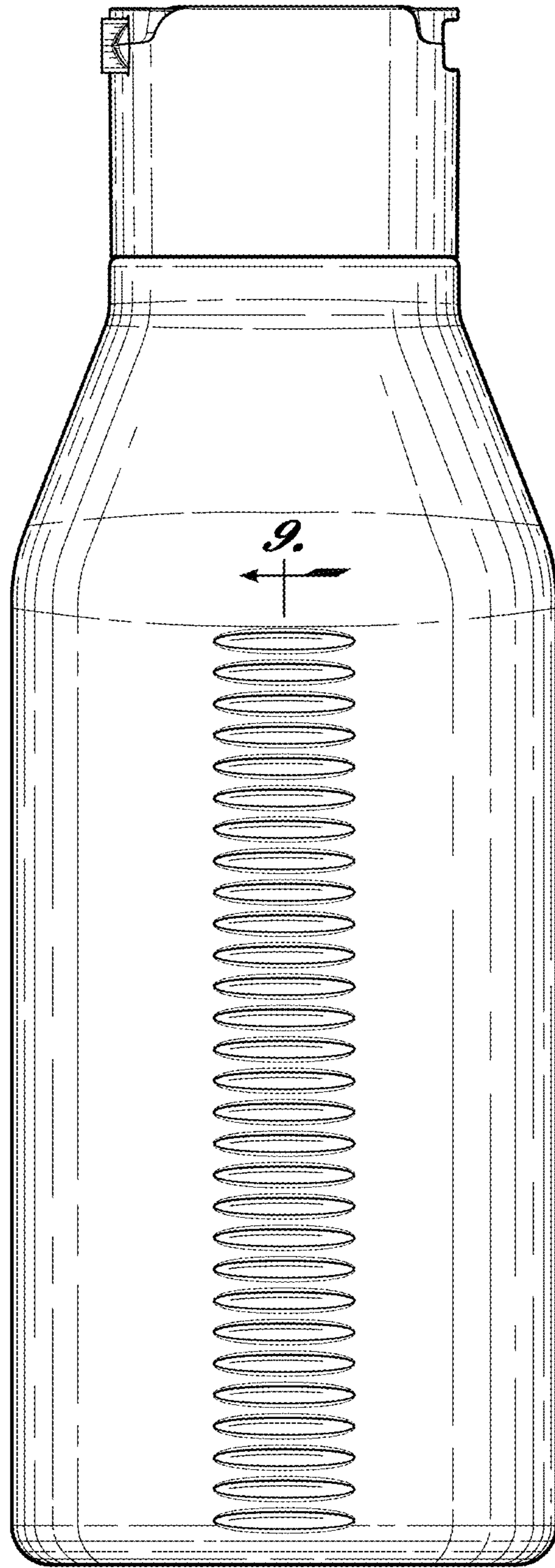


Fig. 7.



9.

Fig. 8.

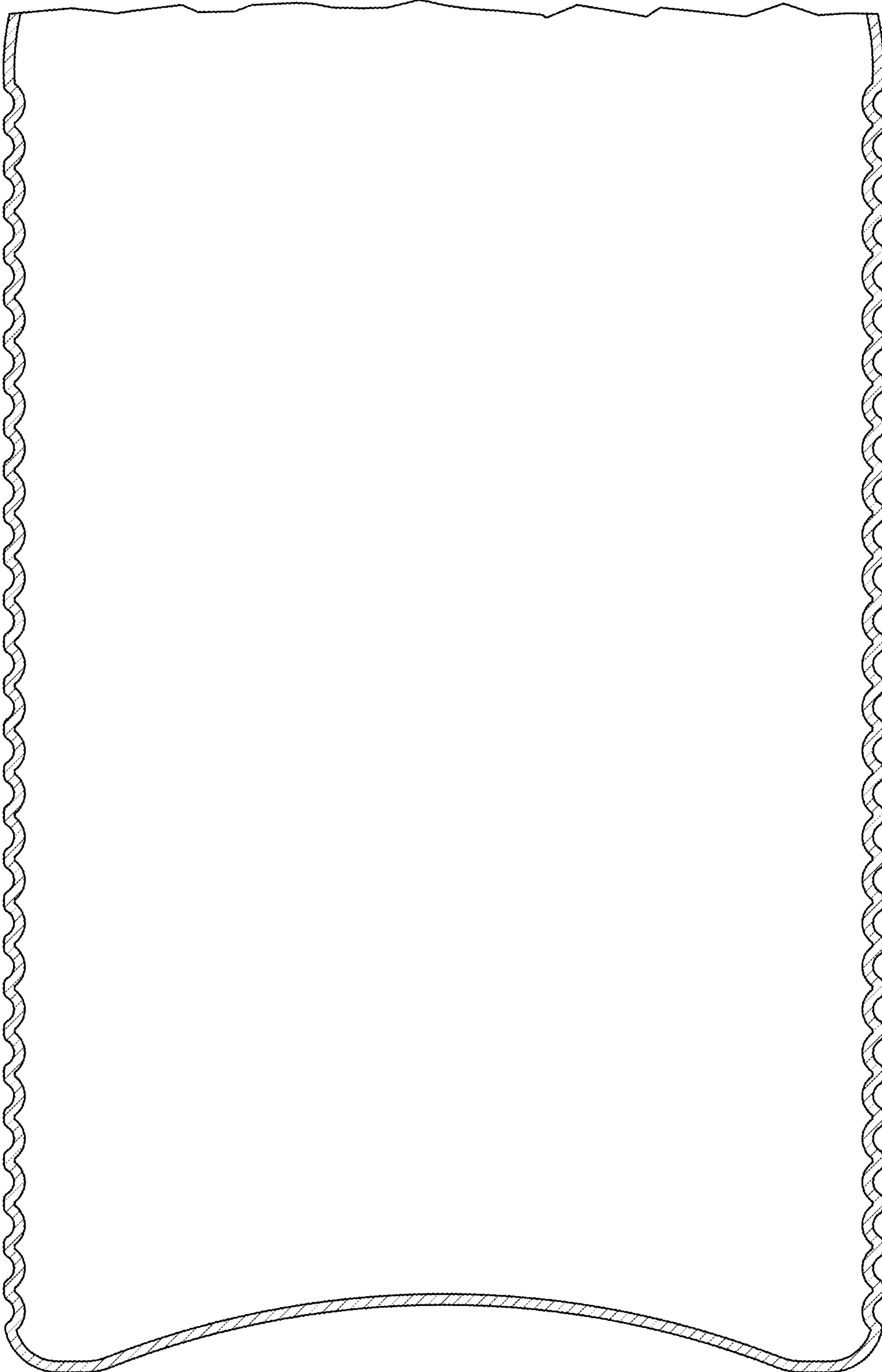


Fig. 9.