



US00D962066S

(12) **United States Design Patent** (10) **Patent No.:** **US D962,066 S**
Satoh et al. (45) **Date of Patent:** **** *Aug. 30, 2022**

(54) **PACKAGING CONTAINER**

(71) Applicant: **KOSE CORPORATION**, Tokyo (JP)
(72) Inventors: **Taku Satoh**, Tokyo (JP); **Yuki Yoshida**, Tokyo (JP); **Naoko Yokokura**, Tokyo (JP); **Moe Kono**, Tokyo (JP)

(73) Assignee: **KOSE CORPORATION**, Tokyo (JP)

(*) Notice: This patent is subject to a terminal disclaimer.

(**) Term: **15 Years**

(21) Appl. No.: **29/751,075**

(22) Filed: **Sep. 18, 2020**

(30) **Foreign Application Priority Data**

Mar. 26, 2020 (JP) 2020-005804

(51) **LOC (13) Cl.** **09-01**

(52) **U.S. Cl.**
USPC **D9/529**

(58) **Field of Classification Search**
USPC D9/521, 522, 529, 549, 551, 552, 554, D9/558, 559, 560, 561, 562, 566, 567, D9/570-575, 430, 433, 434, 454, 500, D9/501, 503, 504, 682, 686, 691, 693, D9/423, 530, 542, 543, 550, 563; D28/73, 76, 78, 82, 88, 83, 85; D3/203.1, 205, 206, 903
CPC A45D 40/0068; A45D 2200/051; B65D 2251/0015; B65D 50/041; B65D 2501/0081; B65D 1/0223; B65D 23/102; B65D 2501/00; B65D 2501/0009

See application file for complete search history.

(56) **References Cited**

U.S. PATENT DOCUMENTS

D521,384 S * 5/2006 Priestman D9/504
D521,386 S * 5/2006 Priestman D28/76
D526,205 S * 8/2006 Priestman D9/504
D532,308 S * 11/2006 Davies D9/529

(Continued)

FOREIGN PATENT DOCUMENTS

CN 301713312 * 11/2011
CN 303421757 * 10/2015

(Continued)

OTHER PUBLICATIONS

Rachel, Sep. 2, 2020, *Girlstyle.com/KOSÉ SEKKISEI Just Launched Their First Sustainable Skincare Products With Plant-Based Ingredients*, URL: <https://girlstyle.com/sg/article/72760/kose-sekkisei-review-singapore> (Year: 2020).*

Primary Examiner — Brett Miller

Assistant Examiner — Rani J Abdallah

(74) *Attorney, Agent, or Firm* — Bacon & Thomas, PLLC

(57) **CLAIM**

The ornamental design for a packaging container, as shown and described.

DESCRIPTION

FIG. 1 is a perspective view of a packaging container, showing our new design.
FIG. 2 is a perspective thereof showing the lid off.
FIG. 3 is a front view thereof.
FIG. 4 is a rear view thereof.
FIG. 5 is a top plan view thereof.
FIG. 6 is a bottom plan view thereof.
FIG. 7 is a right side view thereof.

(Continued)

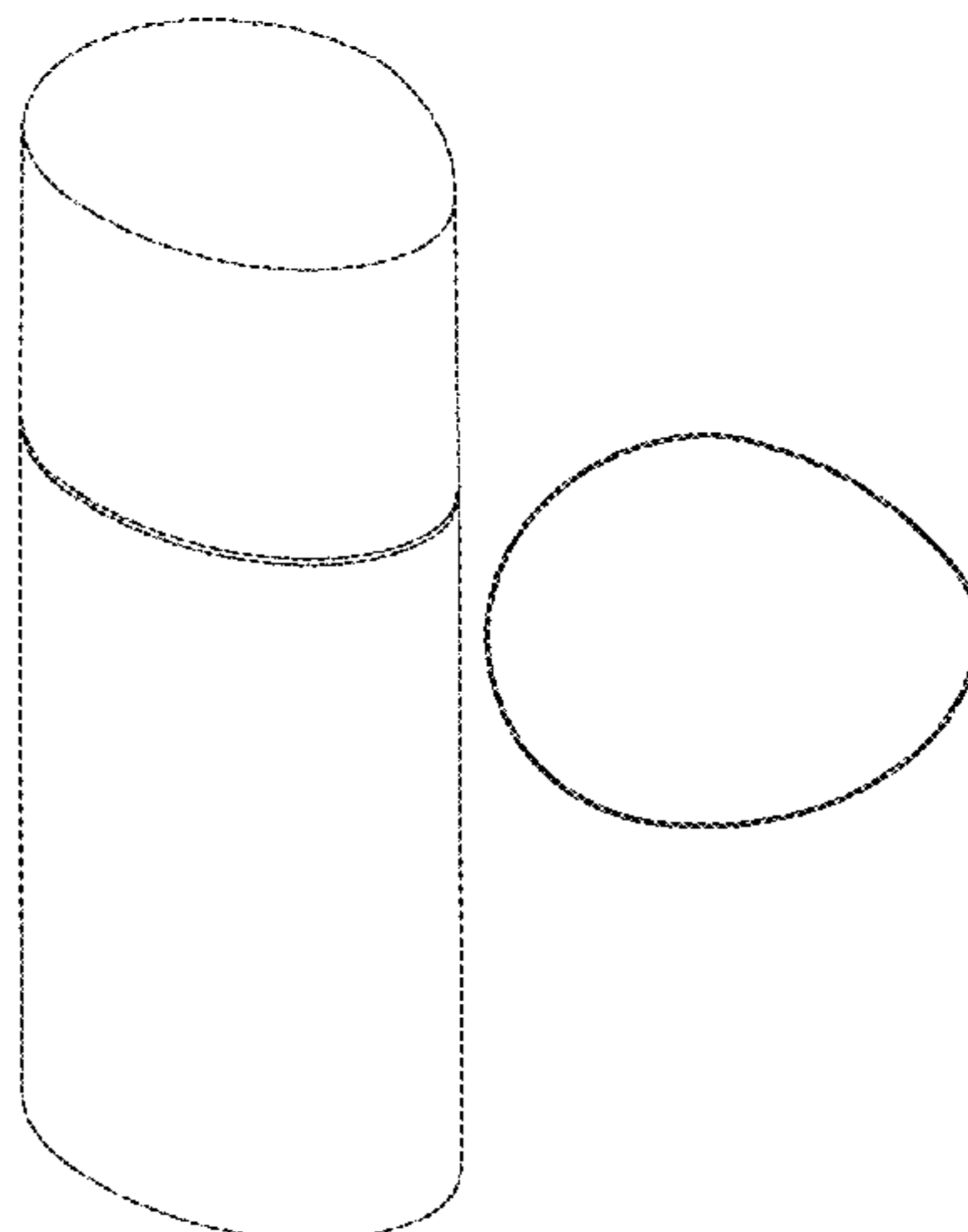


FIG. 8 is a left side view thereof; and,
 FIG. 9 is a sectional view taken along line 9-9 of FIG. 3.
 The dash-dash lines depict portions of the packaging container. The dash-dot lines depict the boundaries of the claim. Broken lines form no part of the claimed design.

1 Claim, 9 Drawing Sheets

D739,251 S *	9/2015	Kawai	D9/542
D746,141 S *	12/2015	Watabe	D9/503
D758,664 S *	6/2016	Van Maanen	D28/76
D805,351 S *	12/2017	Hayami	D9/504
D820,093 S *	6/2018	Pontes	D9/529
D839,745 S *	2/2019	Rehman	D9/542
D840,826 S *	2/2019	Clark	D9/574
D855,891 S *	8/2019	Lin	D9/561
D909,874 S *	2/2021	Lee	D9/503
D942,693 S *	2/2022	Zeng	D9/504

(56)

References Cited

U.S. PATENT DOCUMENTS

D539,161 S *	3/2007	Cornet	D9/558
D619,467 S *	7/2010	Bogosyan	D9/561
D666,912 S *	9/2012	Kawai	D9/504
D671,836 S *	12/2012	DeMarco	D9/503
D691,889 S *	10/2013	Mettler	D9/504
D709,379 S *	7/2014	Moretti	D9/558
D731,893 S *	6/2015	Chung	D9/560

FOREIGN PATENT DOCUMENTS

CN	303576888	*	2/2016
CN	305031206	*	2/2019
CN	305894070	*	7/2020
GB	2068153	*	3/1998
KR	301019551.0000	*	8/2019
KR	301026428.0000	*	10/2019
KR	301037963.0000	*	12/2019

* cited by examiner

FIG. 1

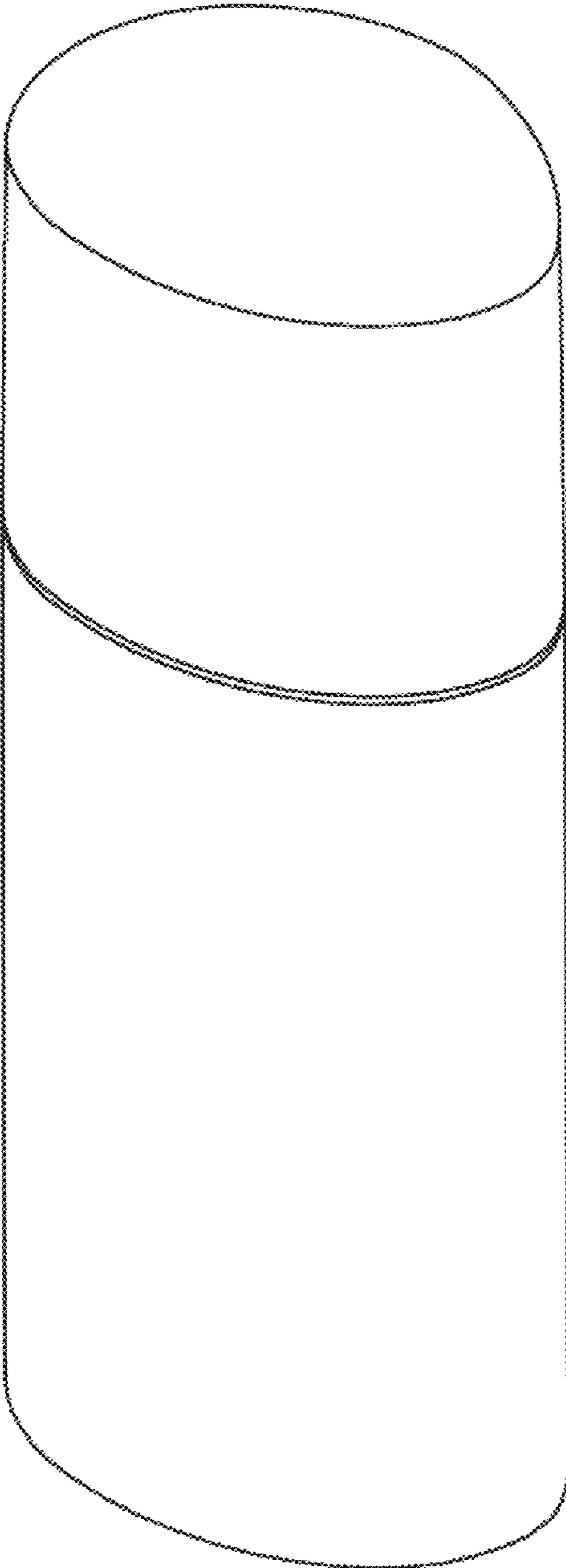


FIG. 2

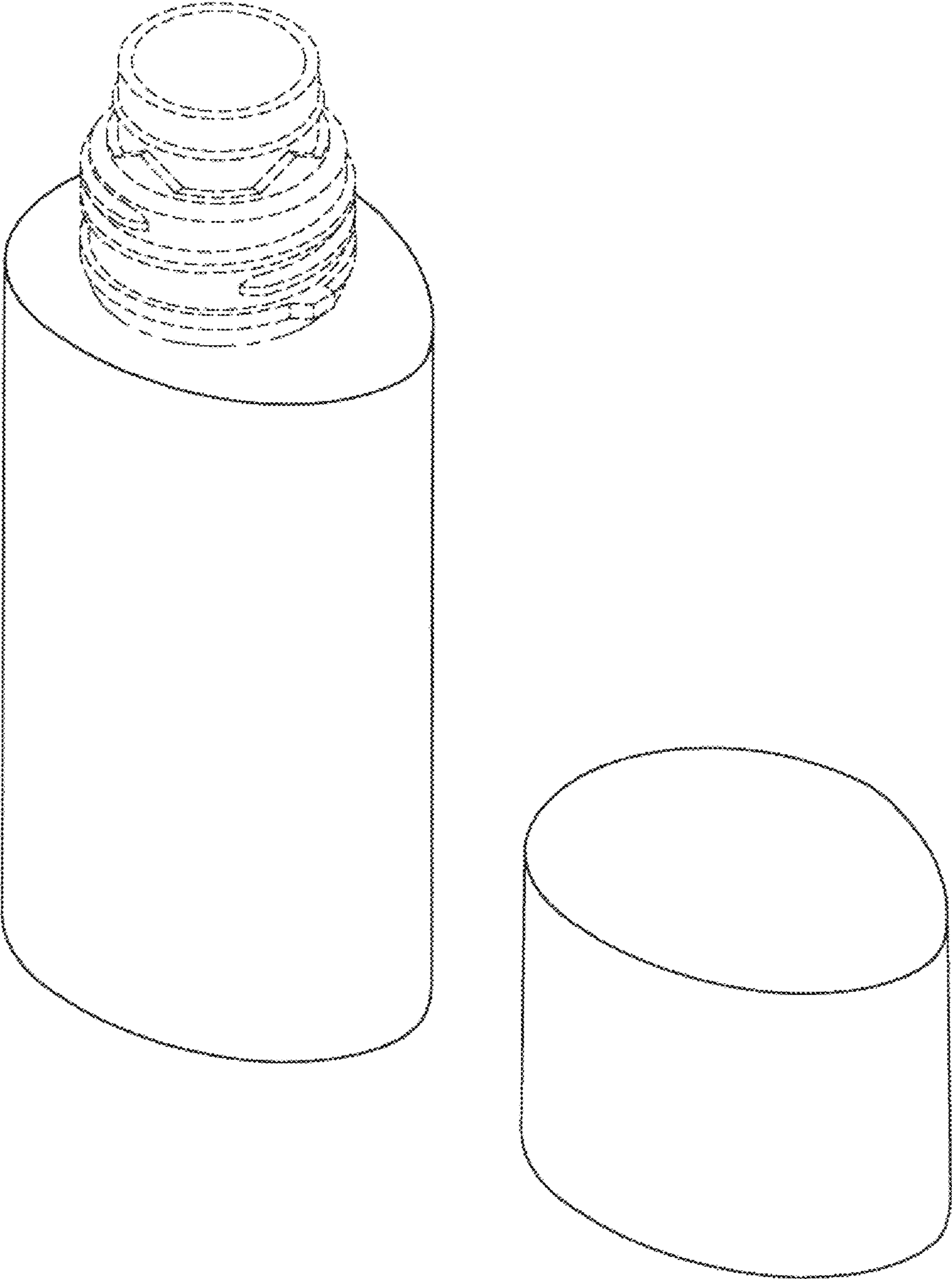


FIG. 3

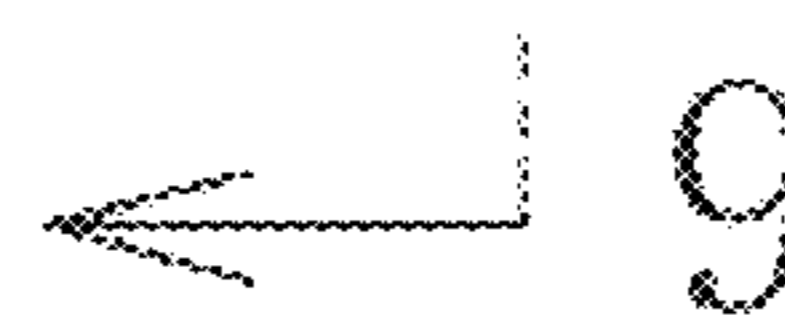
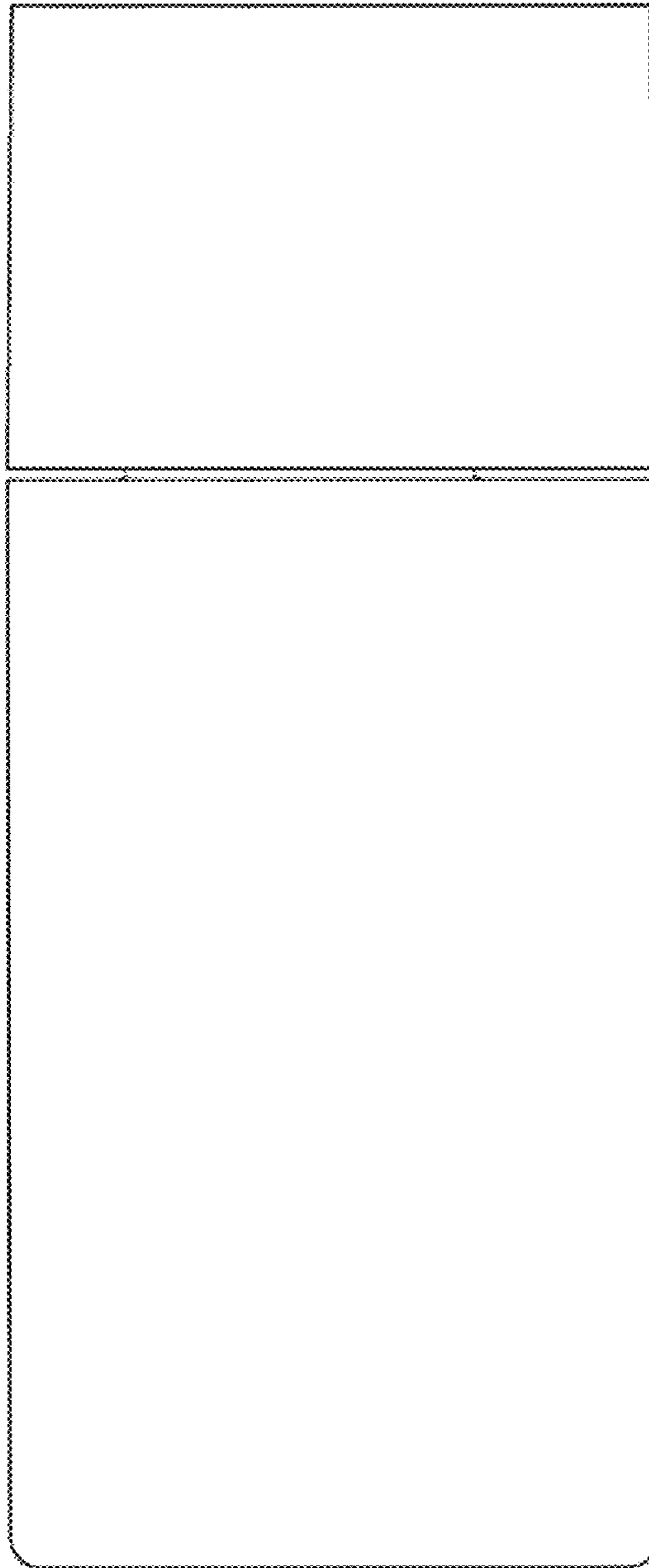
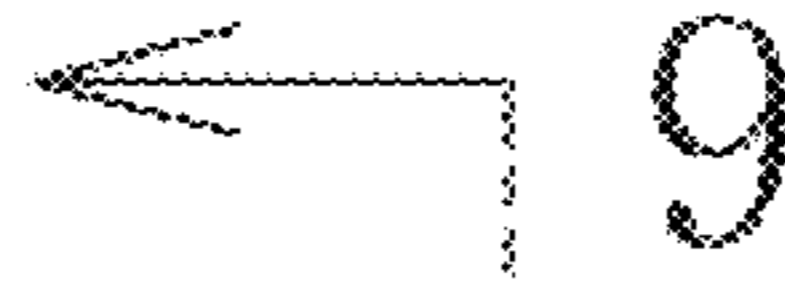


FIG. 4

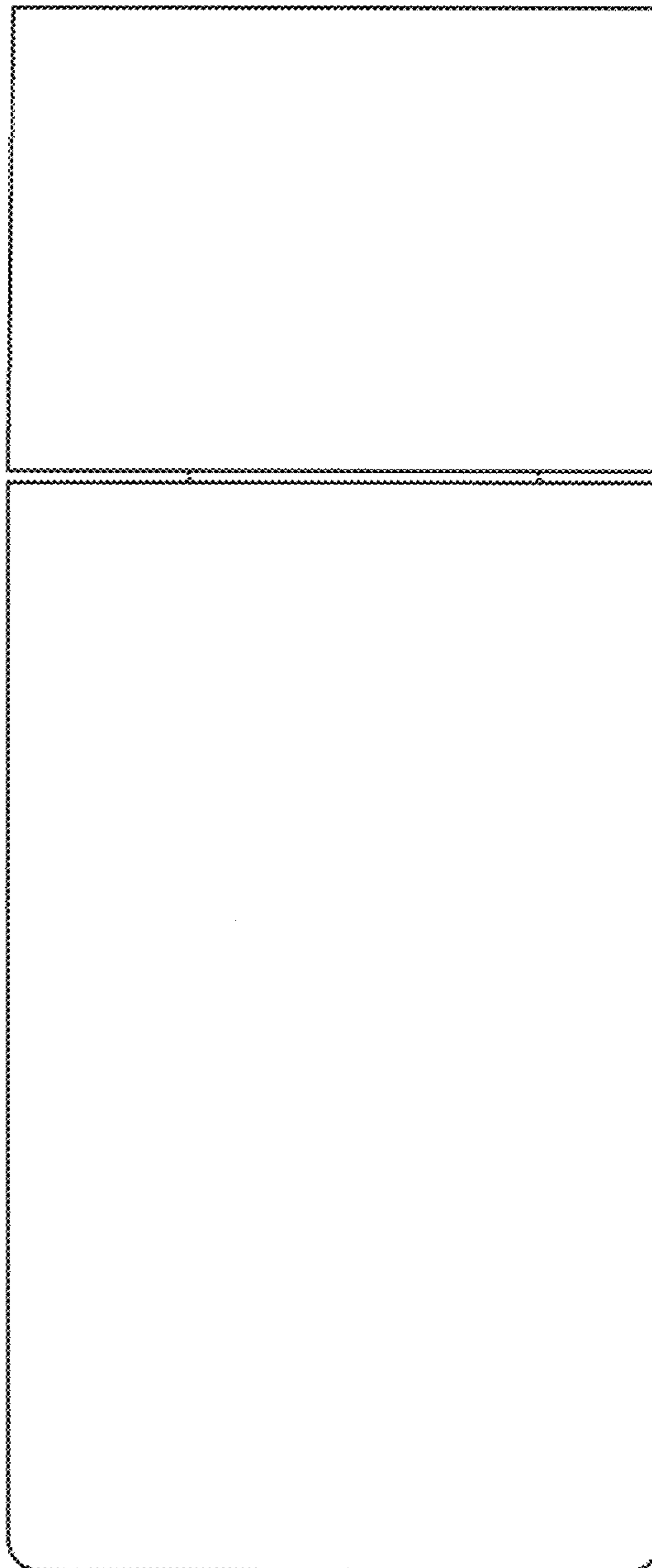


FIG. 5

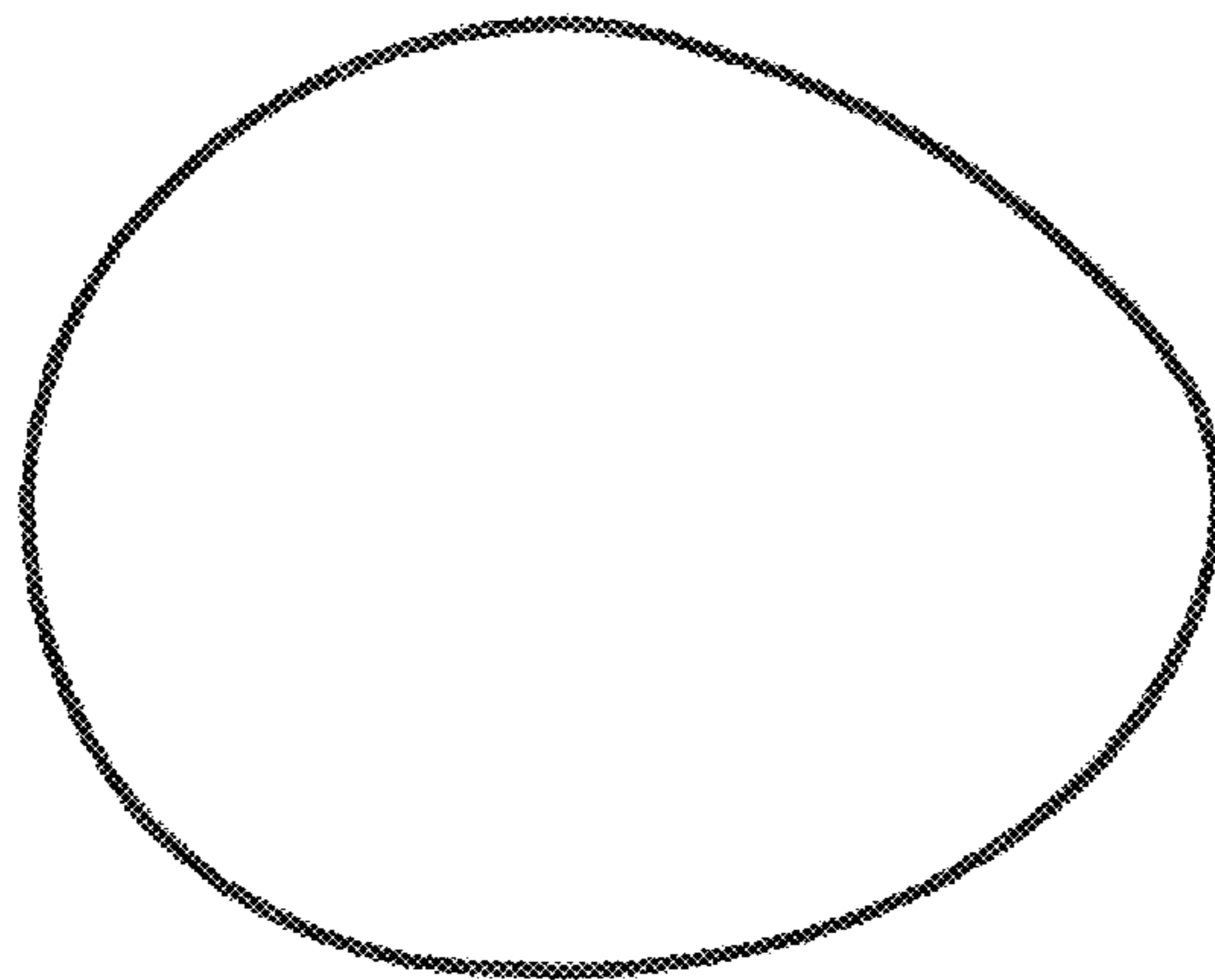


FIG. 6

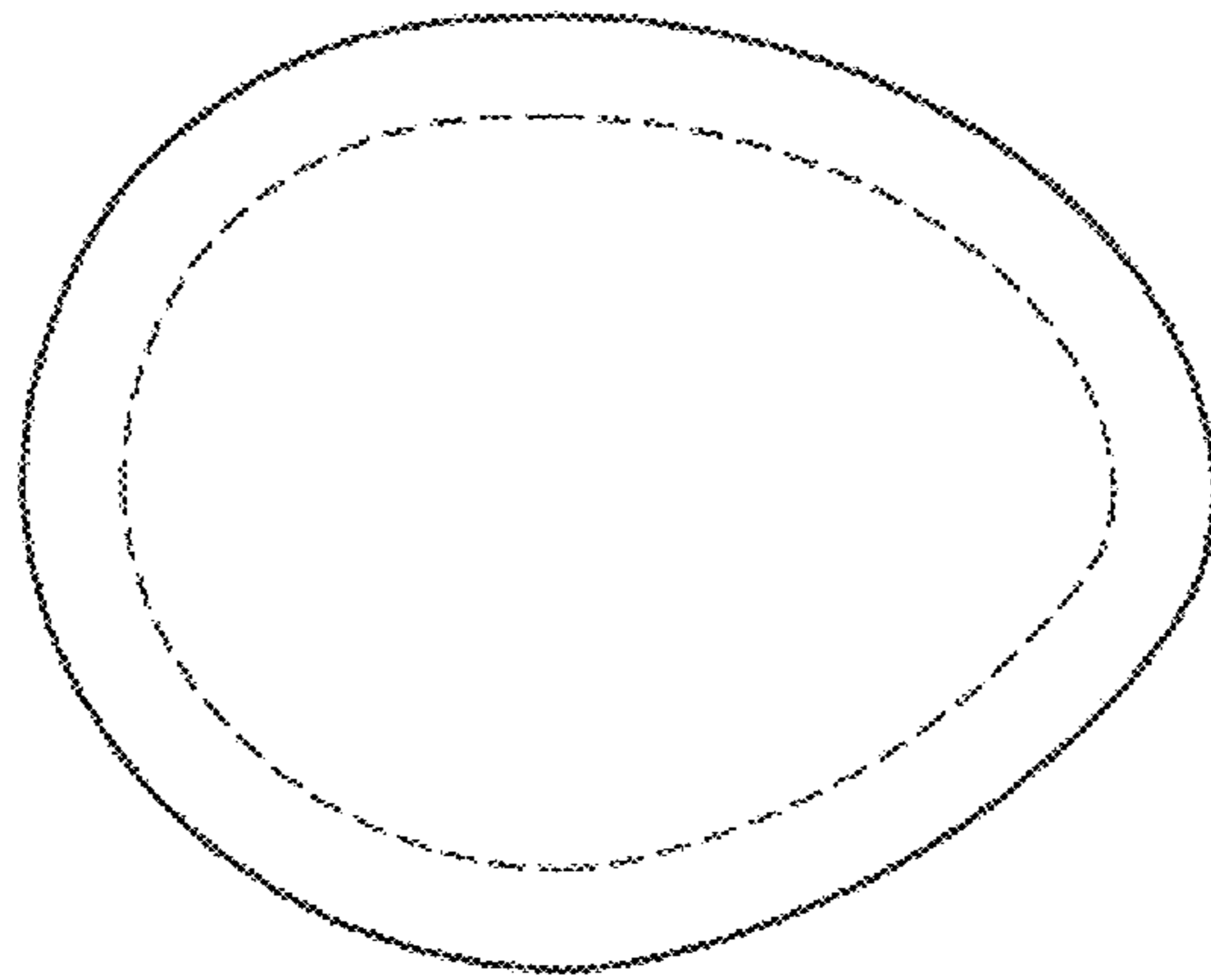


FIG. 7

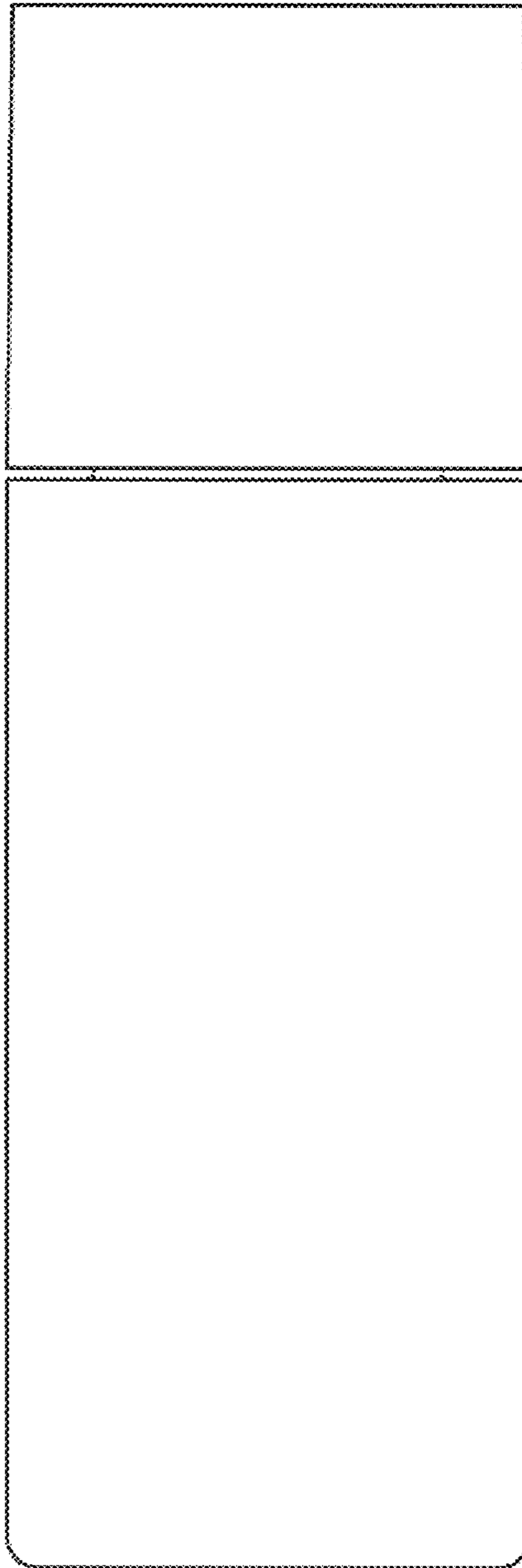


FIG. 8

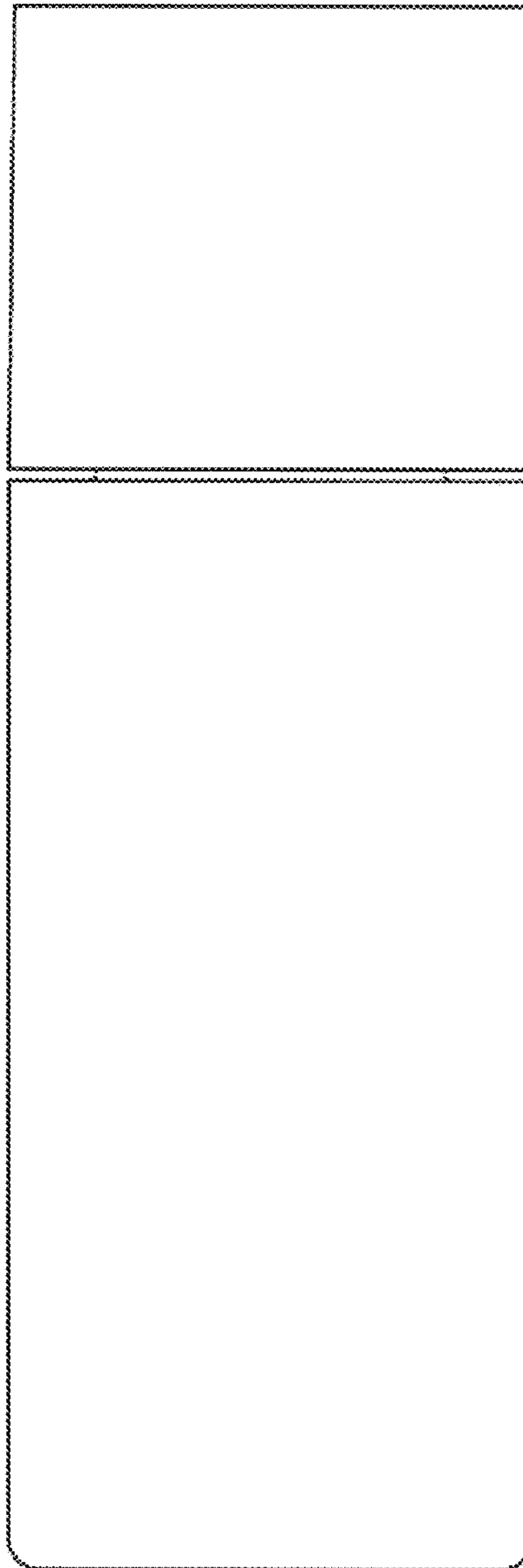


FIG. 9

