



US00D962063S

(12) **United States Design Patent** (10) **Patent No.:** **US D962,063 S**  
**Rubino, Jr.** (45) **Date of Patent:** **\*\* Aug. 30, 2022**

(54) **TATTOO INK BOTTLE CAP**

FOREIGN PATENT DOCUMENTS

(71) Applicant: **INK PROJECTS LLC**, Fort Mill, SC (US)

WO 2017013226 A1 1/2017

(72) Inventor: **Louis Rubino, Jr.**, York, SC (US)

OTHER PUBLICATIONS

(73) Assignee: **INK PROJECTS LLC**, Fort Mill, SC (US)

World Famous Tatto Ink. YouTube. "Jay Freestyle Ink Set." <https://www.youtube.com/watch?v=TTqDnCc38> (Published Apr. 20, 2017).

(\*\*) Term: **15 Years**

*Primary Examiner* — Lauren R Calve

(21) Appl. No.: **29/809,065**

(74) *Attorney, Agent, or Firm* — Volpe Koenig

(22) Filed: **Sep. 24, 2021**

(57) **CLAIM**

The ornamental design for a tattoo ink bottle cap, as shown and described.

**Related U.S. Application Data**

(62) Division of application No. 29/672,065, filed on Dec. 3, 2018.

**DESCRIPTION**

(51) **LOC (13) Cl.** ..... **09-07**

FIG. 1 is a perspective view of a tattoo ink bottle cap in accordance with my new design;

(52) **U.S. Cl.**

FIG. 2 is a perspective view of the tattoo ink bottle cap as shown in FIG. 1, with the lid of the cap shown in the open position;

USPC ..... **D9/449**; D9/453; D9/445

FIG. 3 is front view of the tattoo ink bottle cap as shown in FIG. 1;

(58) **Field of Classification Search**

USPC ..... D9/445, 447, 449, 450, 453, 549, 551, D9/558, 559, 723, 724, 726; D7/300, D7/312; D24/197; D28/88, 89

FIG. 4 is a rear view of the tattoo ink bottle cap as shown in FIG. 1;

CPC ..... B05B 11/3059; B05B 11/0027; B05B 11/0032; B05B 11/3004; B05B 11/3015; B05B 11/306; B05B 11/3064; B65D 51/18; B65D 2251/105; B65D 47/08

FIG. 5 is a first side view of the tattoo ink bottle cap shown in FIG. 1;

See application file for complete search history.

FIG. 6 is a second side view of the tattoo ink bottle cap shown in FIG. 1;

(56) **References Cited**

**U.S. PATENT DOCUMENTS**

3,107,035 A	10/1963	Bertram et al.
D350,482 S	9/1994	Hu et al.
5,603,436 A	2/1997	Leoncavallo et al.
5,996,859 A	12/1999	Beck et al.
6,269,986 B1	8/2001	Gross
D447,949 S	9/2001	Richardson et al.
6,505,530 B2	1/2003	Adler et al.

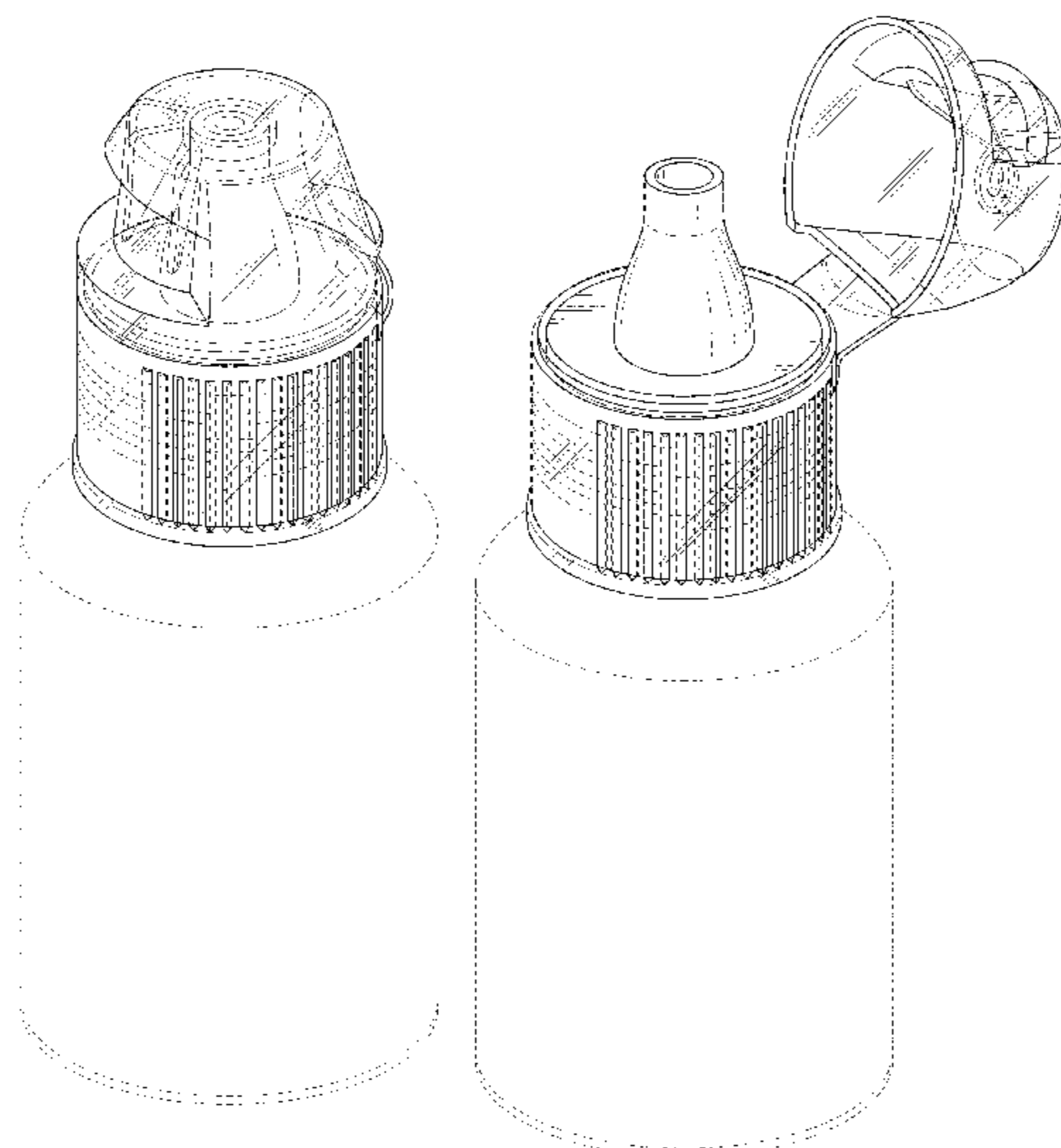
FIG. 7 is a top view of the tattoo ink bottle cap shown in FIG. 1;

FIG. 8 is a bottom view of the tattoo ink bottle cap shown in FIG. 1; and,

FIG. 9 is a cross-sectional view taking along line 9-9 of FIG. 7 of the tattoo ink bottle cap shown in FIG. 1.

All broken lines appearing in the drawings are for illustrative purposes and/or represent unclaimed subject matter and form no part of the claimed design.

**1 Claim, 8 Drawing Sheets**



(56)

References Cited

U.S. PATENT DOCUMENTS

6,543,650 B1 4/2003 Sprick et al.  
 6,685,719 B2 2/2004 Matera, Jr.  
 D531,900 S 11/2006 Mavin et al.  
 7,281,638 B2 10/2007 Hierzer et al.  
 D672,237 S 12/2012 Simonian et al.  
 D672,253 S 12/2012 Lee et al.  
 D673,043 S 12/2012 Antier et al.  
 8,413,832 B2 4/2013 Mazurkiewicz et al.  
 8,459,452 B1 6/2013 Barth  
 D702,545 S 4/2014 Barth  
 8,851,290 B2 10/2014 Barth  
 8,985,366 B2 3/2015 Barth  
 D732,975 S 6/2015 Hua  
 9,051,090 B2 6/2015 Antier et al.  
 9,169,048 B2 10/2015 Ludewigs et al.  
 D763,078 S 8/2016 Roy et al.  
 9,439,523 B2\* 9/2016 Naesje ..... A47G 19/2272  
 D770,287 S 11/2016 Holaschke et al.  
 D780,578 S\* 3/2017 Lane ..... D9/445  
 9,850,044 B2\* 12/2017 Muhlemann ..... B65D 47/0833  
 D817,169 S\* 5/2018 Dzikowicz ..... D9/449  
 D836,441 S 12/2018 Huang et al.  
 D837,650 S\* 1/2019 Rognard ..... D9/449  
 D854,414 S 7/2019 Michailides et al.  
 10,442,591 B2 10/2019 Rognard et al.

D895,438 S 9/2020 Heiser  
 D904,884 S\* 12/2020 Wohlgenannt ..... D9/445  
 D928,629 S\* 8/2021 Yang ..... D9/724  
 2005/0279727 A1 12/2005 Graswald et al.  
 2005/0279781 A1 12/2005 Pugne  
 2006/0016776 A1 1/2006 Barre et al.  
 2007/0102390 A1 5/2007 Hoepner et al.  
 2007/0175910 A1 8/2007 Hogarth et al.  
 2008/0011704 A1 1/2008 Van Ryn  
 2008/0169261 A1 7/2008 Druitt et al.  
 2009/0120899 A1 5/2009 Stull, Sr. et al.  
 2009/0152269 A1\* 6/2009 Pucci ..... B65D 47/0823  
 220/254.3  
 2009/0308832 A1 12/2009 Von Spreckelsen et al.  
 2011/0100990 A1 5/2011 Clodfelter  
 2011/0163135 A1\* 7/2011 Herald ..... B65D 47/0876  
 222/556  
 2012/0000079 A1 1/2012 Arnetoli et al.  
 2012/0067922 A1\* 3/2012 Benoit-Gonin ..... B65D 55/024  
 222/153.06  
 2014/0034663 A1\* 2/2014 Konigseder ..... B65D 43/22  
 220/835  
 2014/0097150 A1 4/2014 Antier et al.  
 2016/0311589 A1 10/2016 Wochele  
 2017/0334631 A1 11/2017 Veltri  
 2018/0265238 A1 9/2018 Wilson

\* cited by examiner

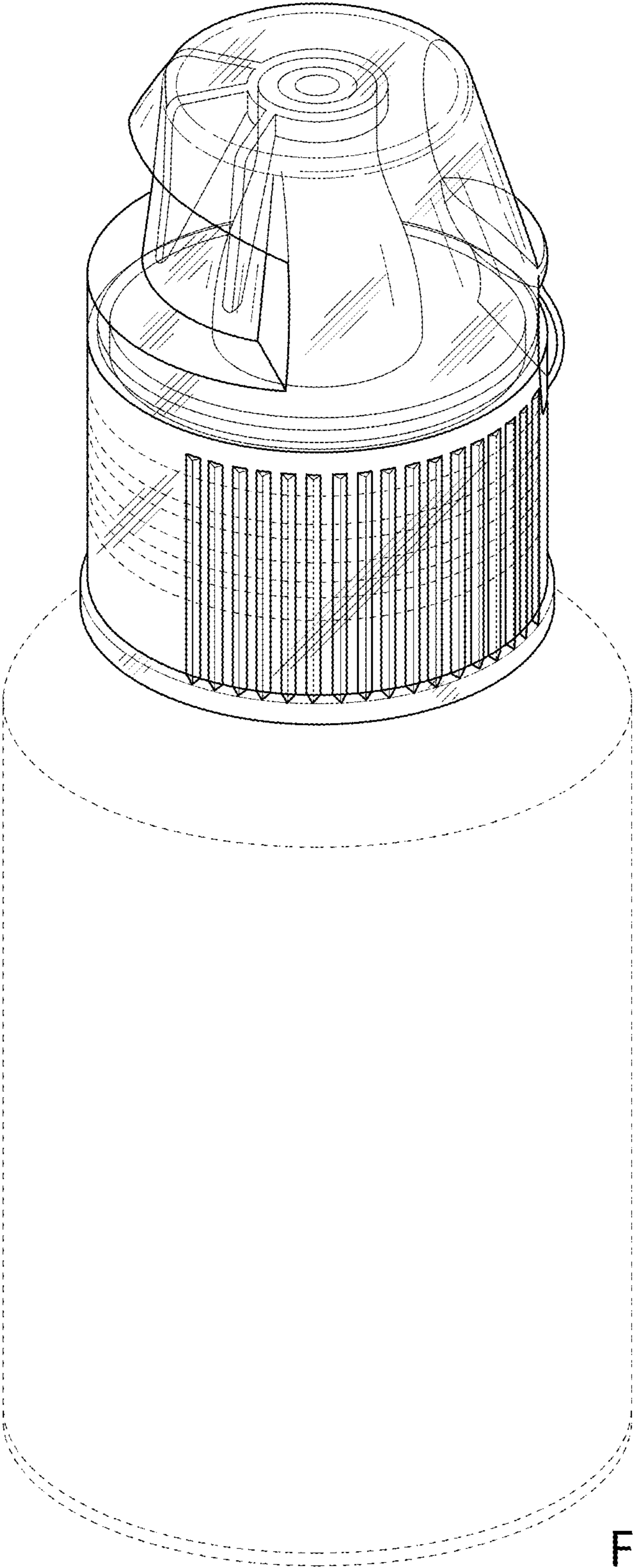


FIG. 1

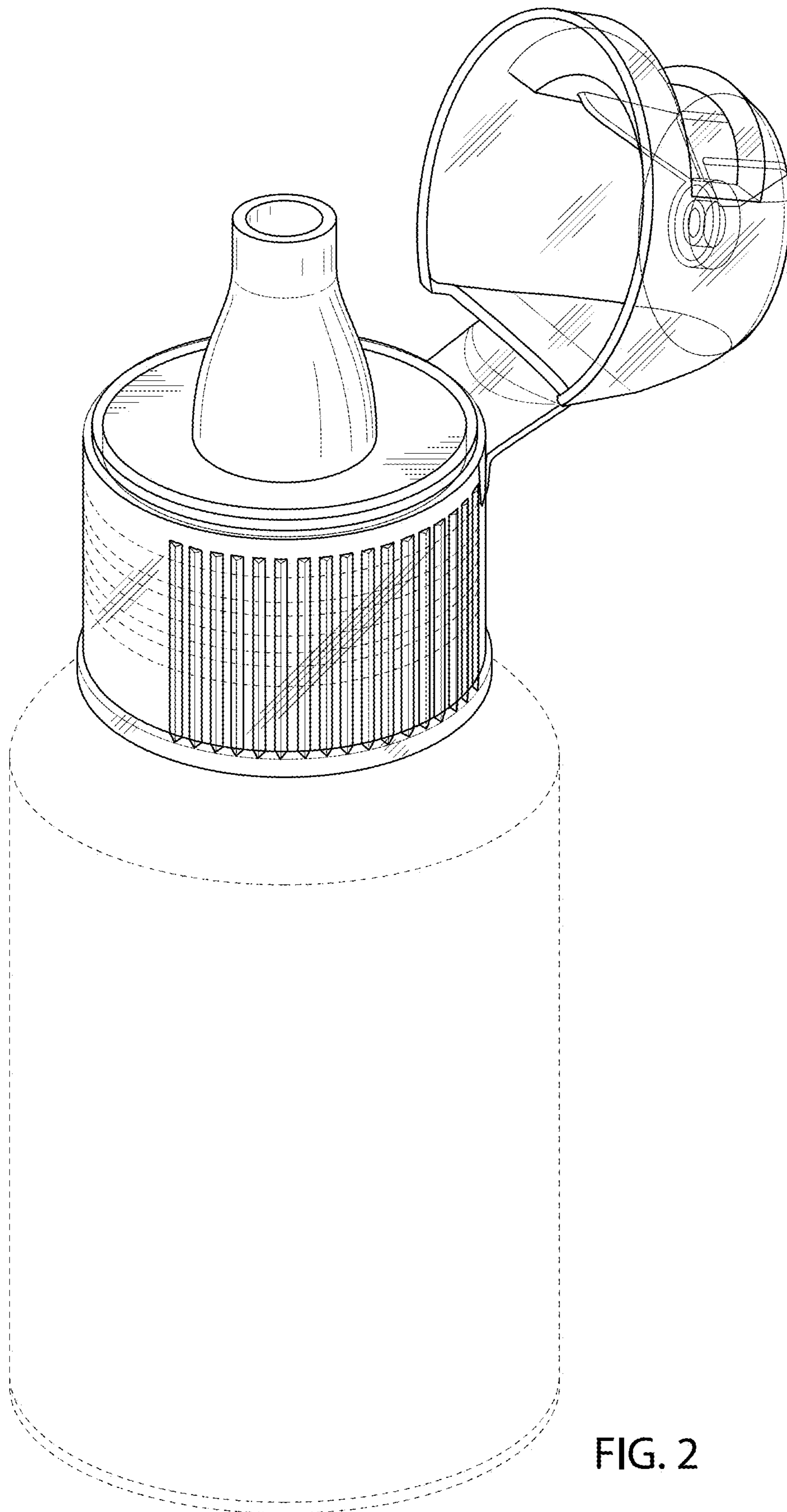


FIG. 2

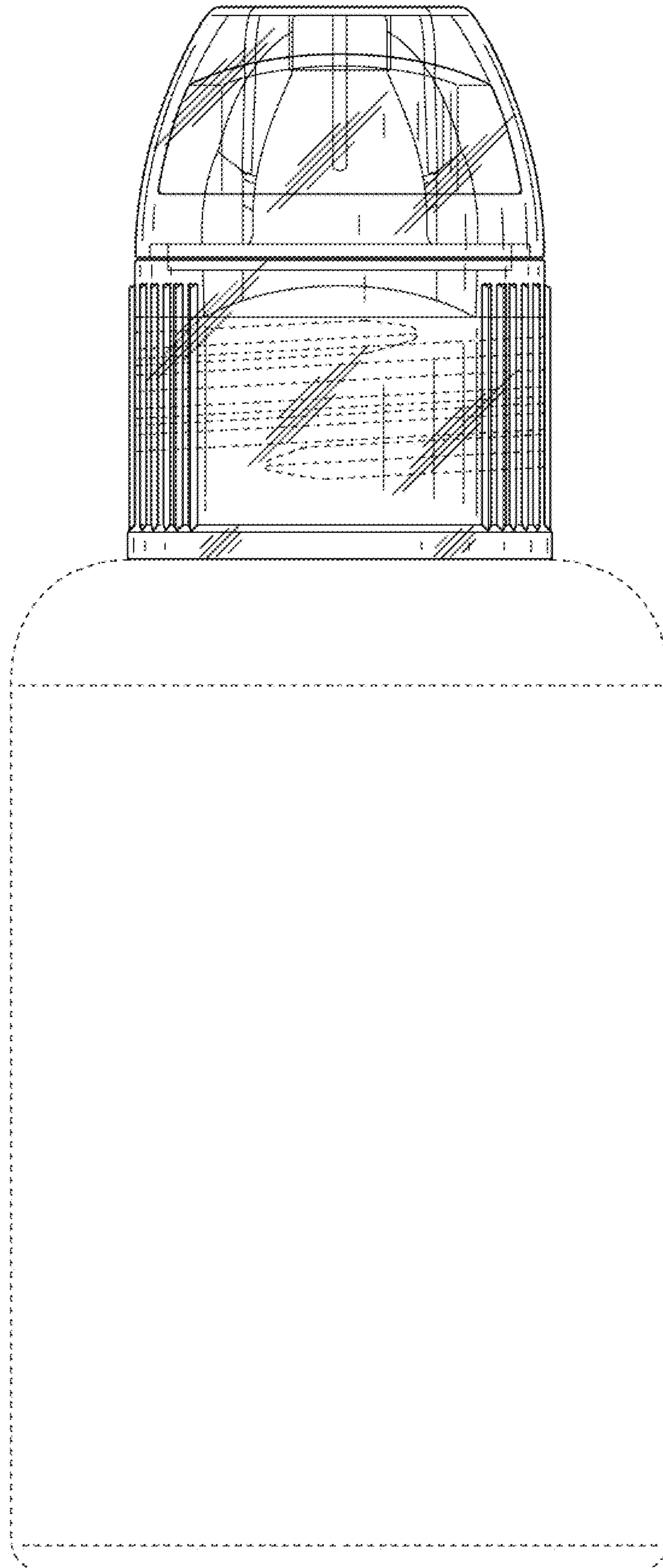


FIG. 3

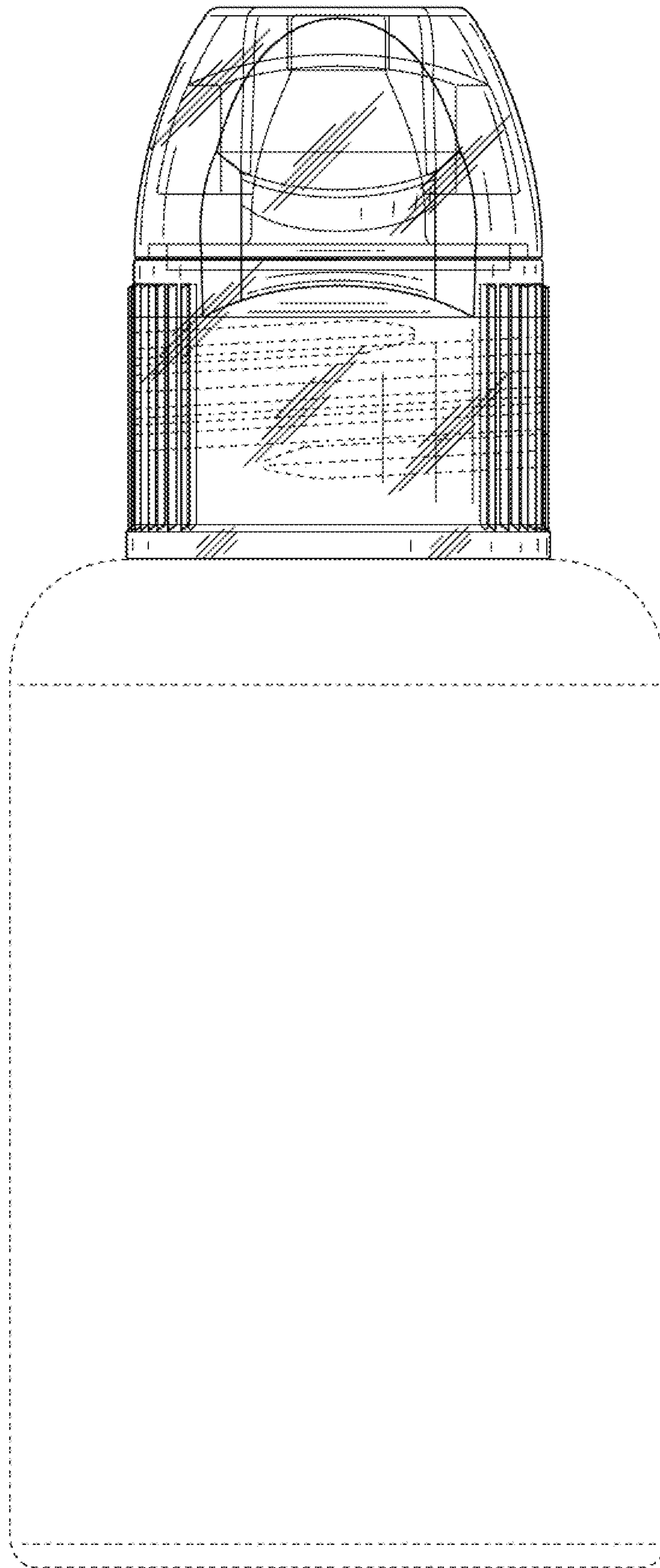


FIG. 4

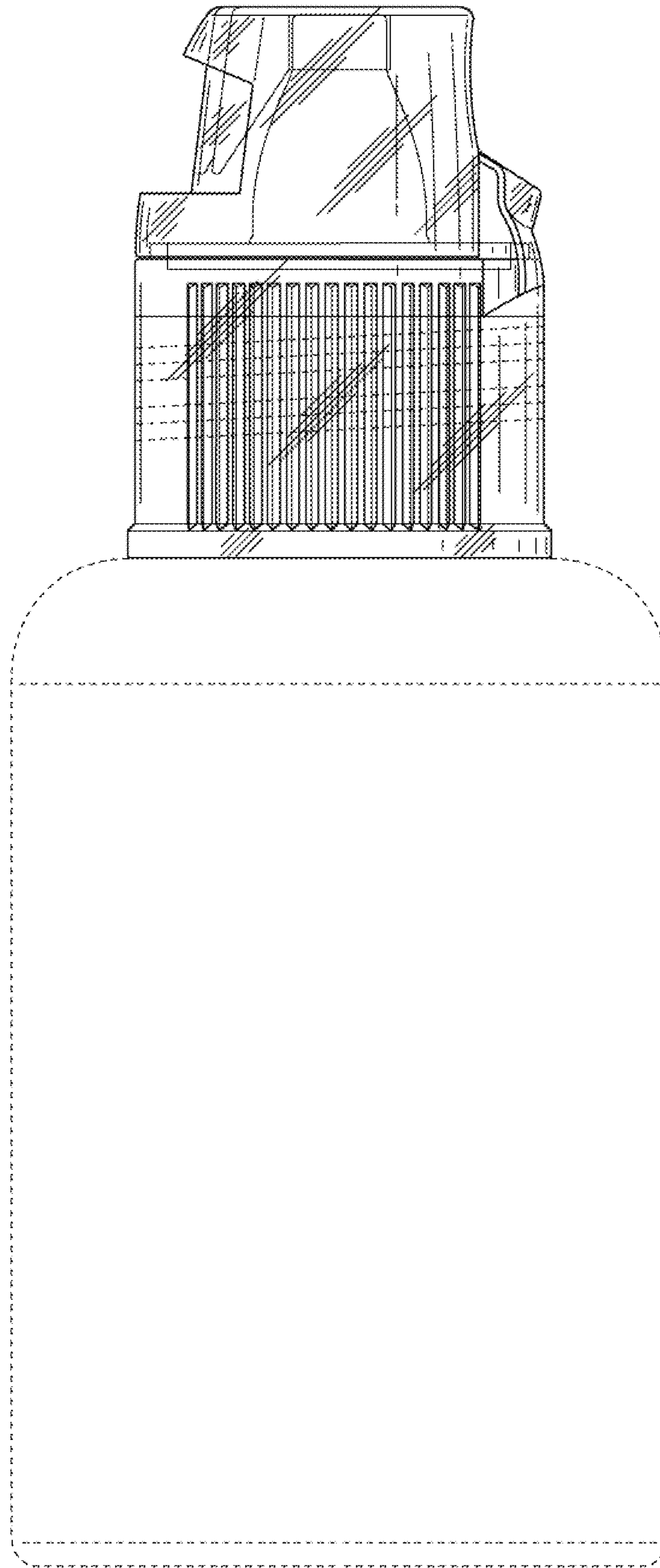


FIG. 5

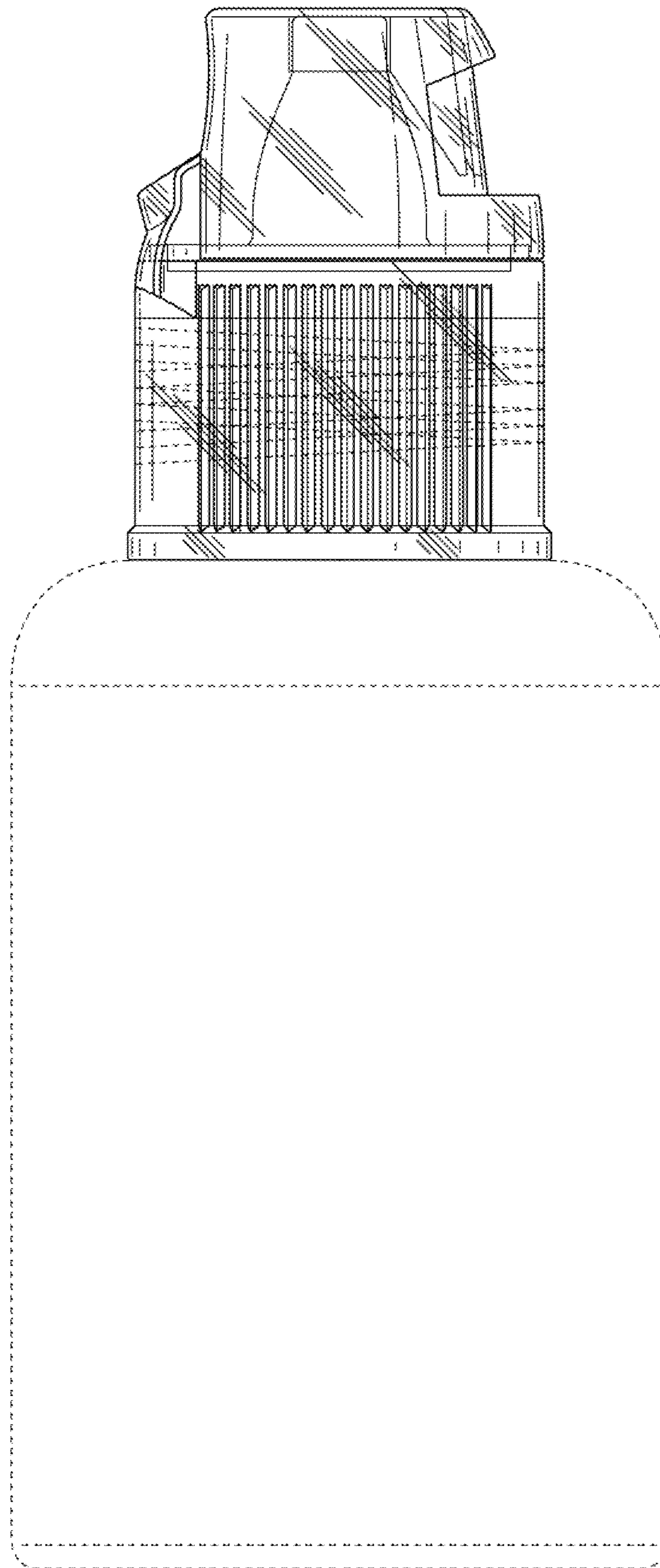


FIG. 6



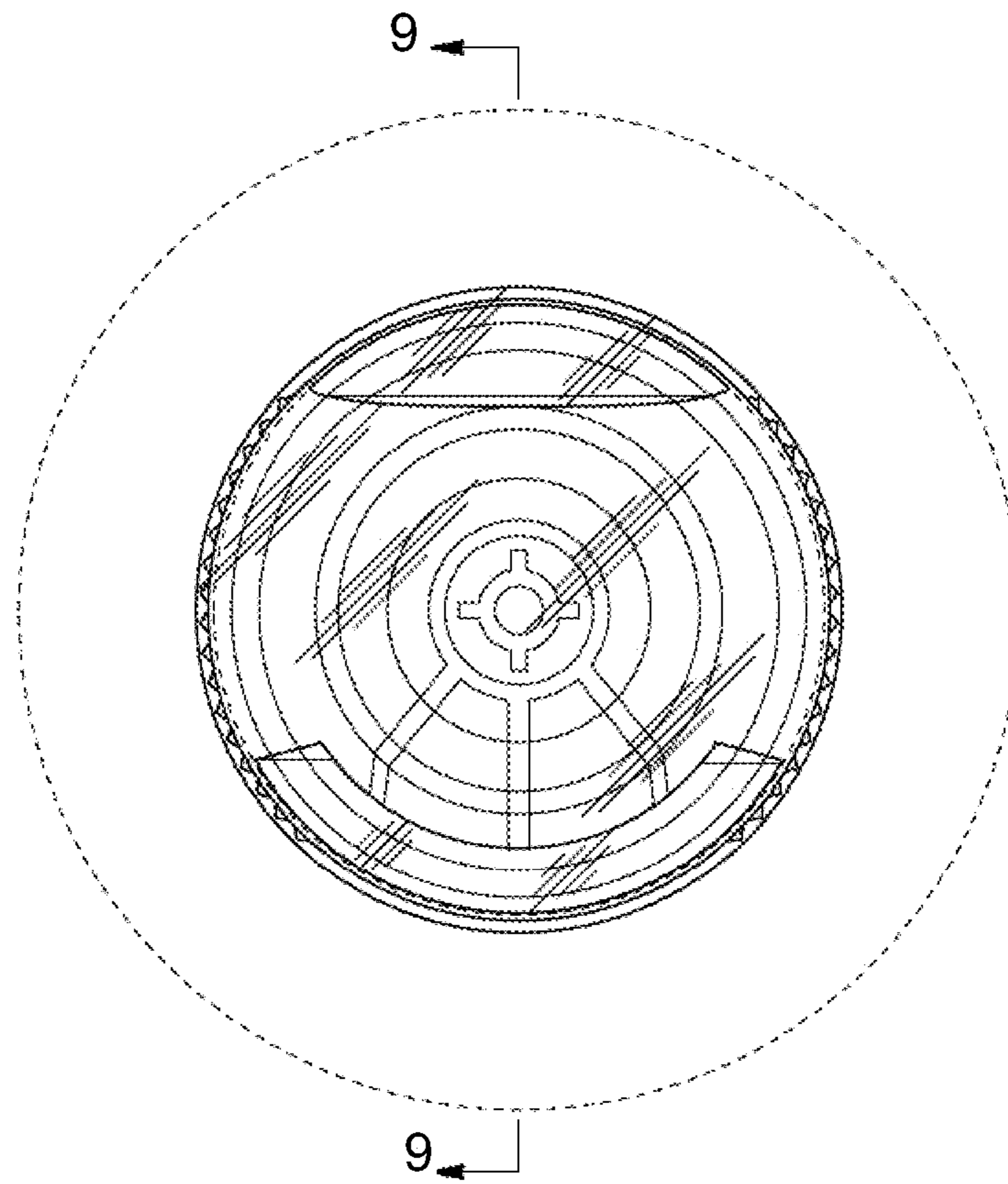


FIG. 7

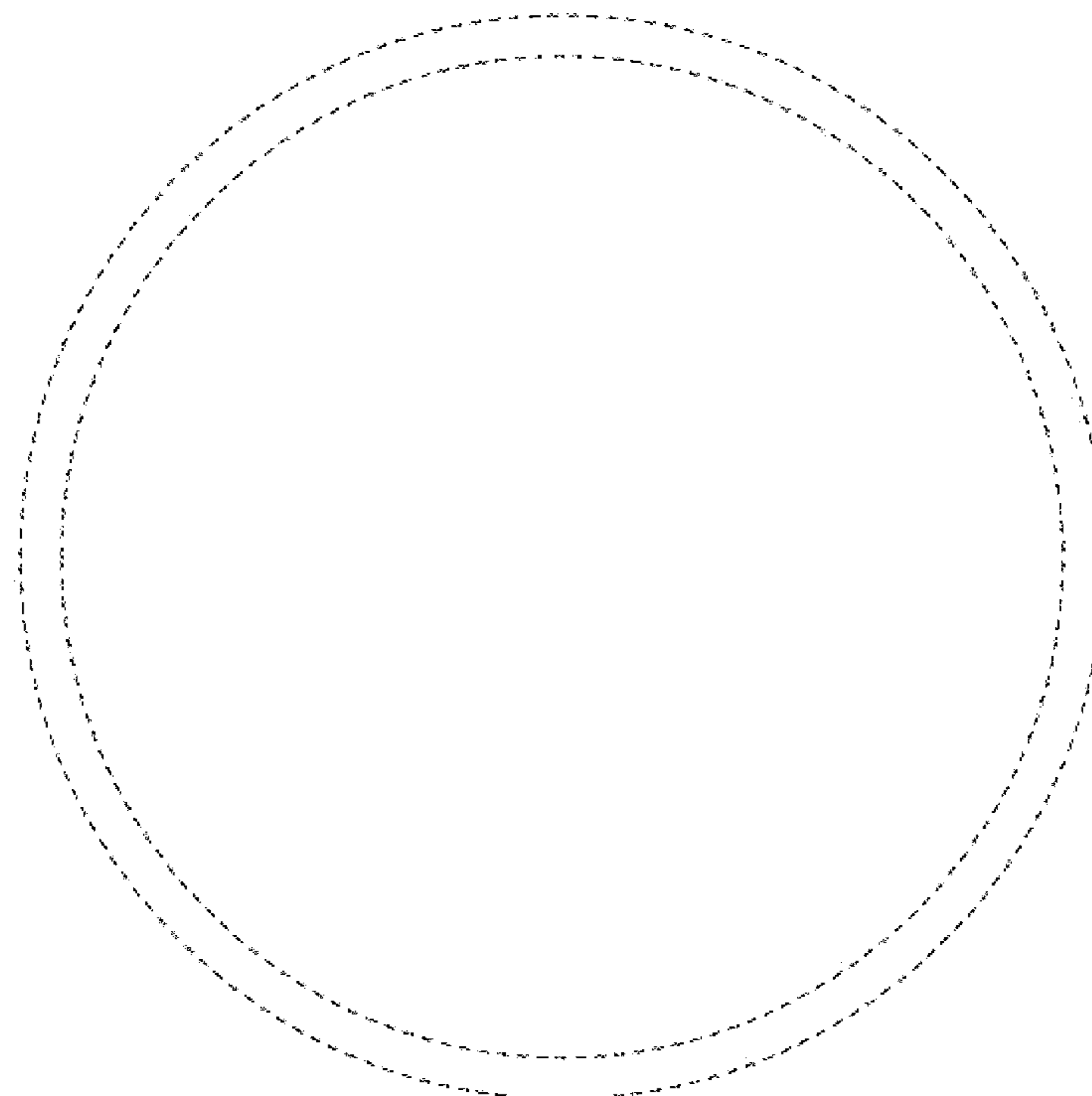


FIG. 8



FIG. 9